

- Analog to Digital Converters**
 - A/D Converters**
 - Audio A/D Converters
 - Capacitance to Digital Converters
 - Energy Measurement
 - Isolated A/D Converters
 - Syncho/Resolver to Digital Converters
 - Temperature to Digital Converters
 - Touchscreen Controllers
 - Video Decoders
 - Voltage to Frequency Converters
-
- All Product Categories**
 - All Applications**
 - Design Tools & Support**
 - Buy Online**

AD9640: 14-Bit, 80/105/125/150 MSPS, 1.8 V Dual Analog-to-Digital Converter

The AD9640 is a dual 14-bit, 80/105/125/150 MSPS analog-to-digital converter (ADC). The AD9640 is designed to support communications applications where low cost, small size, and versatility are ... [More](#)

To drive this ADC in DC-coupled applications, we suggest [ADA4937-1](#) or [ADA4938-1](#). To drive this ADC in AC-coupled applications, we suggest [AD8352](#). To drive this ADC with an IF VGA, we suggest [AD8376](#) or [AD8372](#).

[Data Sheet Rev 0, 06/2007](#) (pdf 1448kB)
 (About Data Sheets)

Quick Links

- [Lead\(Pb\) - Free Data](#)
- [Application Notes](#)
- [Evaluation Boards/Tools](#)

Design Tools

- [High Speed ADC Evaluation Board Software and Behavioral Models](#)
- [AD9640 IBIS Models](#)

Resources

- [Analog Dialogue](#)
- [Overview](#)
- [Product Reviews](#)
- [Rarely Asked Questions](#)
- [Solutions Bulletins](#)
- [Technical Articles](#)
- [Press Releases](#)

Features

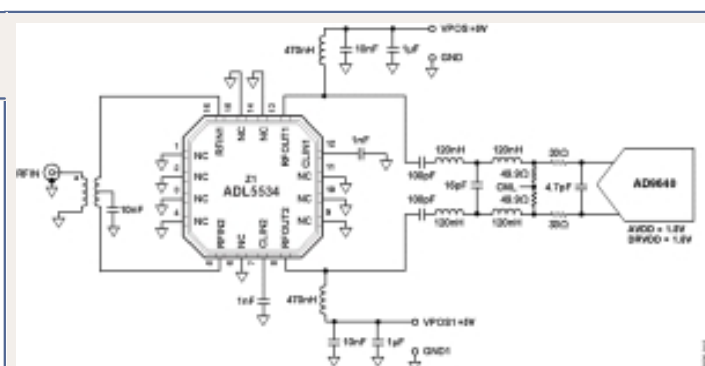
- SNR = 71.8 dBc (72.8 dBFS) to 70 MHz @ 125 MSPS
- SFDR = 85 dBc to 70 MHz @ 125 MSPS
- Low power: 750 mW @ 125 MSPS
- SNR = 71.6 dBc (72.6 dBFS) to 70 MHz @ 150 MSPS
- SFDR = 84 dBc to 70 MHz @ 150 MSPS
- Low power: 820 mW @ 150 MSPS

- 1.8 V analog supply operation
- 1.8 V to 3.3V CMOS output supply or 1.8 V LVDS supply
- Integer 1 to 8 input clock divider
- IF sampling frequencies to 450 MHz
- Internal ADC voltage reference
- Integrated ADC sample-and-hold inputs

Circuits from the Lab

Find more at our [Circuits Library](#).

Interfacing the ADL5534 Dual IF Gain Block To The AD9640 High Speed ADC



Products Used in This Circuit:
 AD9640, ADL5534

Circuit Types: ADC Circuit/Driver
Applications: Communications
Optimized For: High Performance; High Speed; Low Noise and Distortion

Diagrams

[Enlarge](#) [Other Diagrams](#) [Symbols and Footprints](#)

Functional Block Diagram for AD9640

Specifications

Resolution (Bits)	14bit	Interface	Par
T-Put Rate	150MSPS	Ain Range	1 V p-p, 2 V p-p
# Chan	2	SNR (dB)	71.9dB
Supply V	Multi(+1.8Anlg, +1.8Dig), Multi(+1.8Anlg, +3.3Dig)	Pkg Type	CSP
Pwr Diss	938mW		

Explore Other Products

New Products

Similar Products

- [AD7192](#) - 4.8 kHz Ultra-Low Noise 24 -Bit Sigma-Delta ADC with PGA
- [AD7781](#) - 20-Bit, Pin-Programmable, Ultralow Power Sigma -Delta ADC
- [AD7780](#) - 24-Bit Pin-Programmable Low Power ??? ADC
- [AD7357](#) - Differential Input, Dual, Simultaneous Sampling, 4.25 MSPS, 14 -Bit, SAR ADC

[More](#)

[Subscribe to New Products Feed](#)

Pricing, Packaging & Availability

[Print Table](#)

AD9640 Model Options

Model	Status	Package	Pins	Temp. Range	Price* (1000 pcs.)	Production** Availability	ROHS Compliant	Samples Cart	Purchase Cart
AD80192BCPZ-155	Prodn	64 ld LFCSP (9x9mm, 7.10 exposed pad)	64	Comm.	\$87.50	05/22/2009	Y Material Declaration	Contact ADI	Add To Cart
AD9640-105EBZ	Prodn	EVALUATION BOARDS	64	Comm.	\$202.40	05/22/2009	Y	Contact ADI	Add To Cart
AD9640-125EBZ	Prodn	EVALUATION BOARDS	64	Comm.	\$202.40	05/22/2009	Y	Contact ADI	Add To Cart
AD9640-150EBZ	Prodn	EVALUATION BOARDS	64	Comm.	\$202.40	05/22/2009	Y	Contact ADI	Add To Cart
AD9640-80EBZ	Prodn	EVALUATION BOARDS	64	Comm.	\$202.40	05/22/2009	Y	Contact ADI	Add To Cart
AD9640BCPZ-105	Prodn	64 ld LFCSP (9x9mm, 7.10 exposed pad)	64	Comm.	\$62.24	06/26/2009	Y Material Declaration	Contact ADI	Add To Cart
AD9640BCPZ-125	Prodn	64 ld LFCSP (9x9mm, 7.10 exposed pad)	64	Comm.	\$74.38	05/22/2009	Y Material Declaration	Contact ADI	Add To Cart
AD9640BCPZ-150	Prodn	64 ld LFCSP (9x9mm, 7.10 exposed pad)	64	Comm.	\$88.55	05/29/2009	Y Material Declaration	Contact ADI	Add To Cart
AD9640BCPZ-80	Prodn	64 ld LFCSP (9x9mm, 7.10 exposed pad)	64	Comm.	\$37.95	05/22/2009	Y Material Declaration	Contact ADI	Add To Cart
AD9640BCPZRL7-80	Pre-Release	LFCSP:LEADFRM CHIP SCALE	64	Ind	\$	-	Y Material Declaration	Contact ADI	Contact ADI

*The USA list pricing shown is for BUDGETARY USE ONLY, shown in United States dollars (FOB USA per unit for the stated volume), and is subject to change. International prices may differ due to local duties, taxes, fees and exchange rates. For volume -specific price or delivery quotes, please contact your local Analog Devices, Inc. sales office or authorized distributor. Pricing displayed for Evaluation Boards and Kits is based on 1 -piece pricing.

**Sample availability may be better than production availability. Please enter samples into your cart to check sample availability.

[View Sales and Distribution Offices](#)

[View Samples Cart](#)

[View Purchase Cart](#)