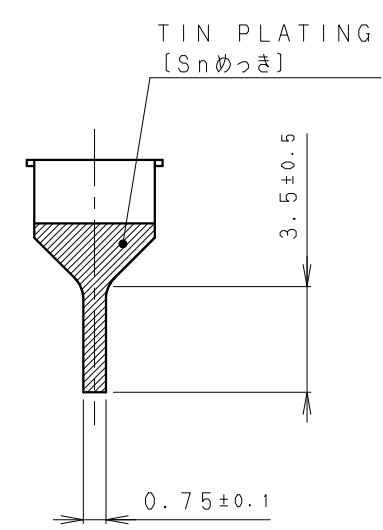
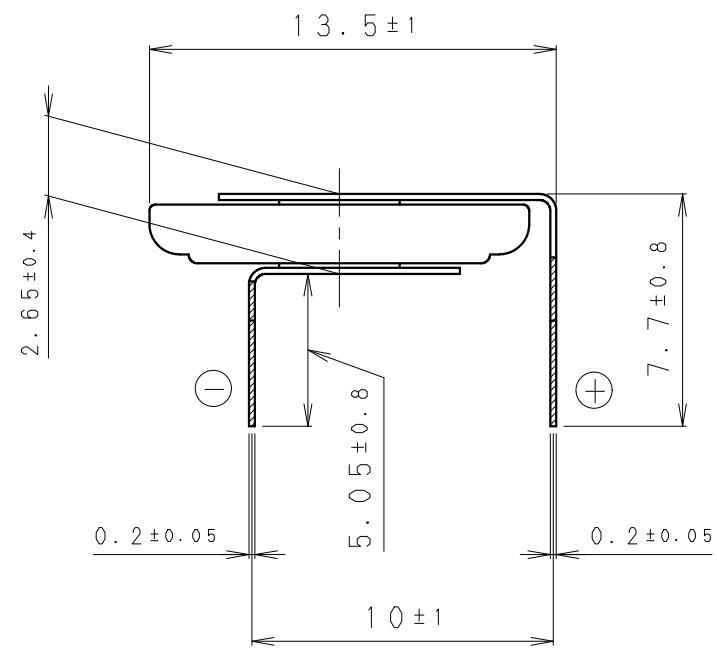
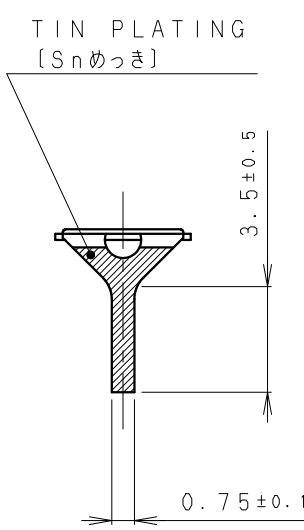
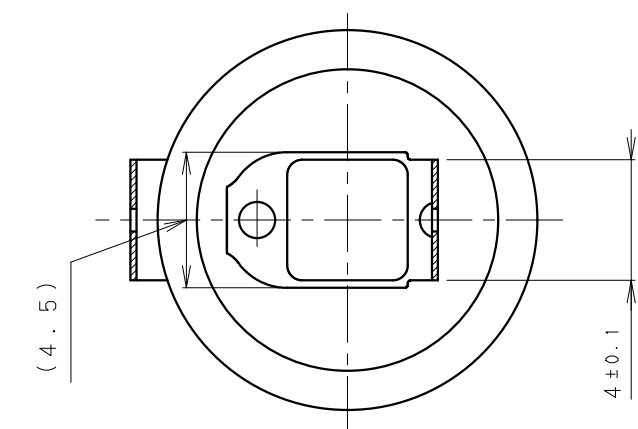
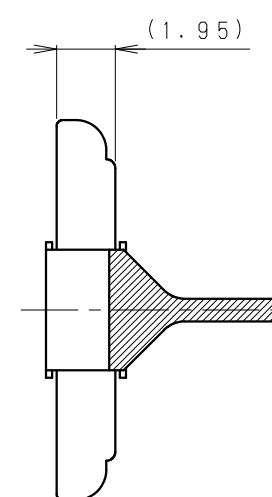
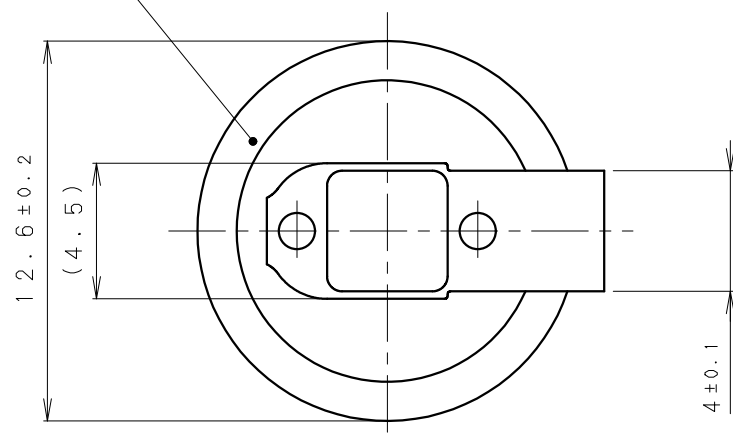


INSULATOR (YELLOW)
[絶縁チューブ (黄色)]



NOTE [注記]

1. NOMINAL VOLTAGE: 3V [公称電圧3V]
2. TAB WELDING STRENGTH OVER 19.6N [端子溶接強度: 19.6N以上]
3. TAB MATERIAL: STAINLESS STEEL WITH TIN PLATING [端子材料: 基材 ステンレス/表面 部分Snめっき]
4. (): REFERENCE DIMENSION AND ANGLE [() 寸法、角度は参考値]

| | | | |
|-------------|-------------|----------|-----|
| PRODUCT NO. | CR-1220/HFN | SCALE | 4:1 |
| DRAWING NO. | JEHA1Z | UNIT: mm | |