

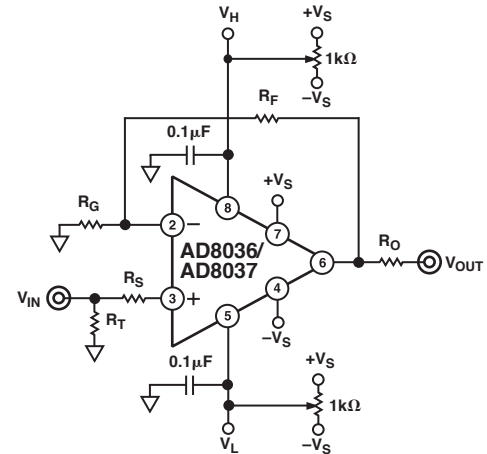
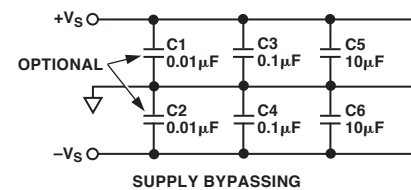
EVAL-AD8036EB/EVAL-AD8037EB
BOARD DESCRIPTION

The evaluation boards for the AD8036 and AD8037 have been carefully laid out and tested to demonstrate that the specified high speed performance of the device can be realized. For ordering information, refer to the Ordering Guide.

The layout of the evaluation board can be used as shown or serve as a guide for a board layout.

ORDERING GUIDE

Model	Package Description
AD8036-EB	Evaluation Board
AD8037-EB	Evaluation Board


NONINVERTING CONFIGURATION

SUPPLY BYPASSING
Figure 1. Noninverting Configurations for Evaluation Boards
Table I. Recommended Component Values

Component	AD8036A Gain				AD8037A Gain		
	+1	+2	+10	+100	+2	+10	+100
R_F	140 Ω	274 Ω	2 k Ω	2 k Ω	274 Ω	2 k Ω	2 k Ω
R_G		274 Ω	221 Ω	20.5 Ω	274 Ω	221 Ω	20.5 Ω
R_O (Nominal)	49.9 Ω	49.9 Ω	49.9 Ω	49.9 Ω	49.9 Ω	49.9 Ω	49.9 Ω
R_S	130 Ω	100 Ω	100 Ω	100 Ω	100 Ω	100 Ω	100 Ω
R_T (Nominal)	49.9 Ω	49.9 Ω	49.9 Ω	49.9 Ω	49.9 Ω	49.9 Ω	49.9 Ω
Small Signal BW (MHz)	240	90	10	1.3	275	21	3

CAUTION

ESD (electrostatic discharge) sensitive device. Electrostatic charges as high as 4000 V readily accumulate on the human body and test equipment and can discharge without detection. Although the EVAL-AD8036EB/EVAL-AD8037EB features proprietary ESD protection circuitry, permanent damage may occur on devices subjected to high energy electrostatic discharges. Therefore, proper ESD precautions are recommended to avoid performance degradation or loss of functionality.


REV. 0

Information furnished by Analog Devices is believed to be accurate and reliable. However, no responsibility is assumed by Analog Devices for its use, nor for any infringements of patents or other rights of third parties that may result from its use. No license is granted by implication or otherwise under any patent or patent rights of Analog Devices. Trademarks and registered trademarks are the property of their respective companies.

One Technology Way, P.O. Box 9106, Norwood, MA 02062-9106, U.S.A.
 Tel: 781/329-4700 www.analog.com
 Fax: 781/326-8703 © 2002 Analog Devices, Inc. All rights reserved.

EVAL-AD8036EB/EVAL-AD8036EB

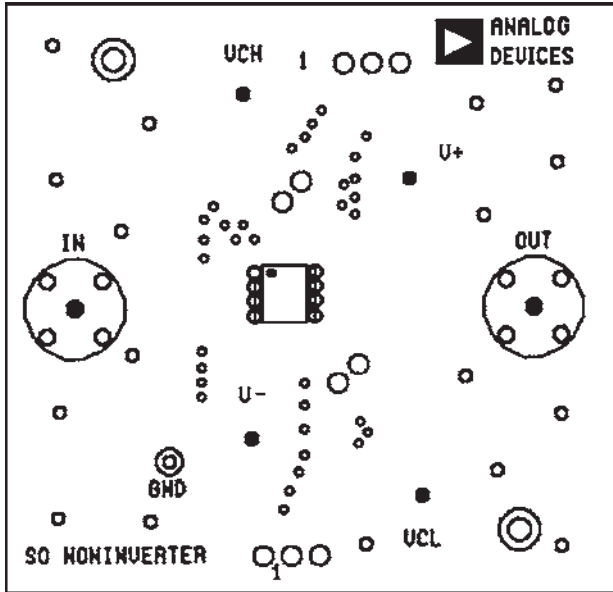


Figure 2. Evaluation Board Silkscreen (Top)

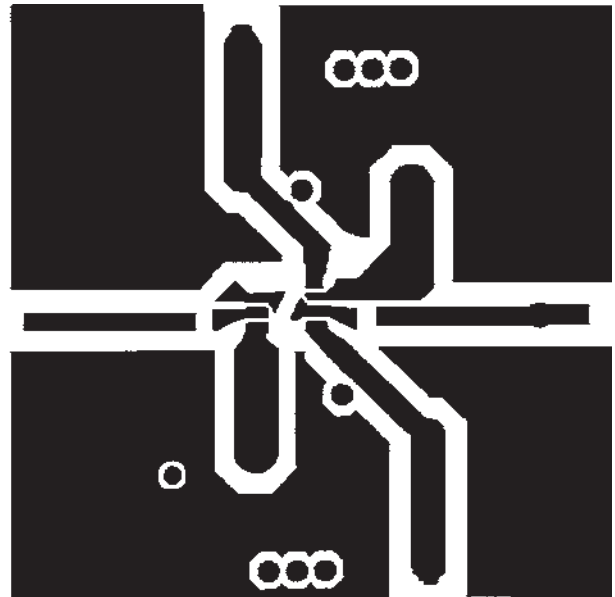


Figure 4. Board Layout (Solder Side)

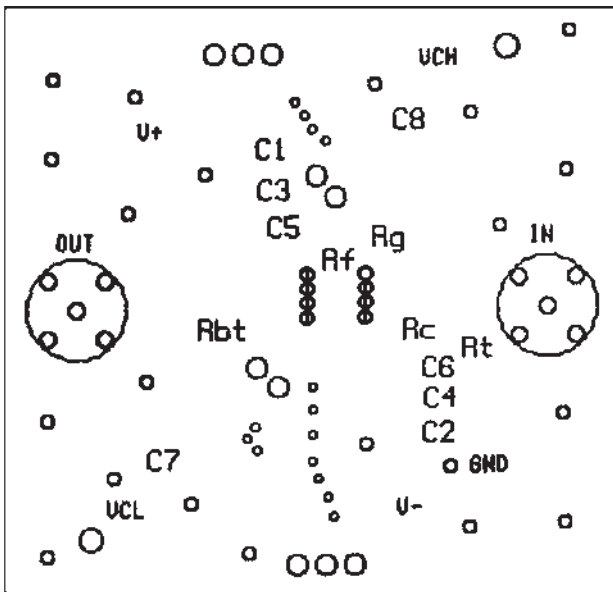


Figure 3. Evaluation Board Silkscreen (Bottom)

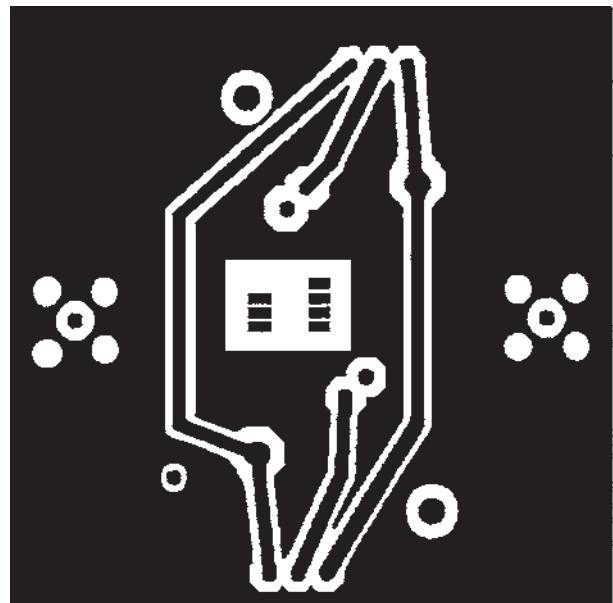


Figure 5. Board Layout (Component Side)

C03243-0-10/02(0)

PRINTED IN U.S.A.