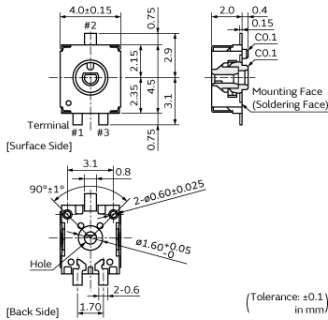


SVM4A103A0L17R00



Appearance & Shape



Features

1. It's smallest in the world, therefore can be mounted everywhere!
2. To get precise control for even small size robot, portable gaming device and so on.....
High reliability! High accuracy! Enhanced rotational life!
3. It's very easy to use without electrical circuit.
4. Available for measuring an angle and amount of movement for narrow space!!

Applications

1. Game controller
2. Headset
3. Robot
4. DSC switch

Packaging Information

Packaging	Specifications	Standard Packing Quantity
R00	180mm Embossed Tape	500

Attention

1. This datasheet is downloaded from the website of Murata Manufacturing Co., Ltd. Therefore, its specifications are subject to change or our products in it may be discontinued without advance notice. Please check with our sales representatives or product engineers before ordering.
2. This datasheet has only typical specifications because there is no space for detailed specifications.
Therefore, please review our product specifications or consult the approval sheet for product specifications before ordering.

SVM4A103A0L17R00



Specifications

Operating Temperature Range	-40°C to 85°C
Shape	SMD
Total Resistance Value	10kΩ
Total Resistance Value Tolerance	±30%
Linearity	±2%
Effective Rotational Angle (typ.)	260°
Temperature Coefficient of Resistance	±500ppm/°C
Rotational Life(max.)	1M cycles
Torque(max.)	6mN·m
Rated Voltage	5Vdc
Withstanding Voltage	250Vac, 1 min., Leakage current 50 micro A max.
Insulation Resistance(min.)	100MΩ
Measure Condition of Insulation Resistance	250Vdc
Mass	0.08g

Attention

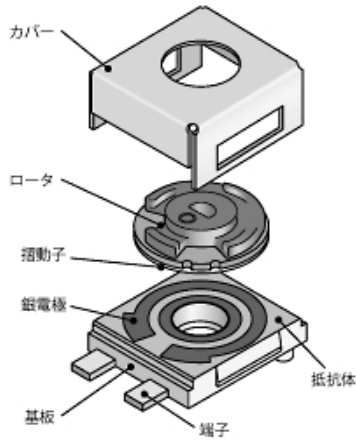
1.This datasheet is downloaded from the website of Murata Manufacturing Co., Ltd. Therefore, it's specifications are subject to change or our products in it may be discontinued without advance notice. Please check with our sales representatives or product engineers before ordering.

2.This datasheet has only typical specifications because there is no space for detailed specifications.

Therefore, please review our product specifications or consult the approval sheet for product specifications before ordering.

SVM4A103A0L17R00

Product Data



Constructions

Attention

1.This datasheet is downloaded from the website of Murata Manufacturing Co., Ltd. Therefore, it's specifications are subject to change or our products in it may be discontinued without advance notice. Please check with our sales representatives or product engineers before ordering.

2.This datasheet has only typical specifications because there is no space for detailed specifications.

Therefore, please review our product specifications or consult the approval sheet for product specifications before ordering.