

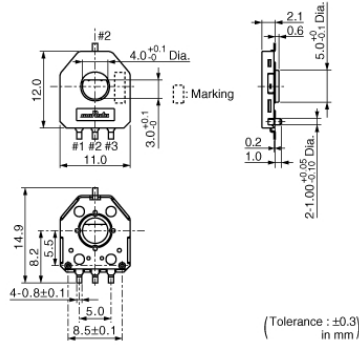
# SV01A103AEA01B00

To be discontinued

RoHS

REACH

## Appearance & Shape



## Features

1. Excellent resistance materials and high reliability wiper achieves 1M cycles.
2. D formation thru-hole rotor enables selection of any kind of gear shape.
3. Ultra-thin size (2.1mm height)

## Packaging Information

Packaging	Specifications	Standard Packing Quantity
B00	Bulk(Bag)	50

### Attention

1. This datasheet is downloaded from the website of Murata Manufacturing Co., Ltd. Therefore, its specifications are subject to change or our products in it may be discontinued without advance notice. Please check with our sales representatives or product engineers before ordering.
2. This datasheet has only typical specifications because there is no space for detailed specifications. Therefore, please review our product specifications or consult the approval sheet for product specifications before ordering.

# SV01A103AEA01B00



## Specifications

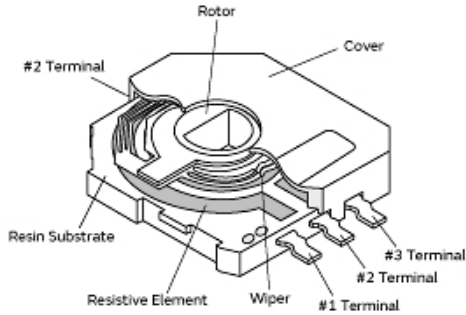
Operating Temperature Range	-40°C to 85°C
Shape	SMD
Total Resistance Value	10kΩ
Total Resistance Value Tolerance	±30%
Linearity	±2%
Effective Rotational Angle (typ.)	333.3°
Temperature Coefficient of Resistance	±500ppm/°C
Rotational Life(max.)	1M cycles
Torque(max.)	2mN.m (Ref.:21gf.cm)
Rated Voltage	5Vdc
Withstanding Voltage	250Vac, 1 min., Leakage current 50 micro A max.
Insulation Resistance(min.)	100MΩ
Measure Condition of Insulation Resistance	250Vdc
Mass	0.36g

### Attention

- 1.This datasheet is downloaded from the website of Murata Manufacturing Co., Ltd. Therefore, it's specifications are subject to change or our products in it may be discontinued without advance notice. Please check with our sales representatives or product engineers before ordering.
- 2.This datasheet has only typical specifications because there is no space for detailed specifications. Therefore, please review our product specifications or consult the approval sheet for product specifications before ordering.

# SV01A103AEA01B00

## Product Data



### Constructions

#### Attention

1.This datasheet is downloaded from the website of Murata Manufacturing Co., Ltd. Therefore, it's specifications are subject to change or our products in it may be discontinued without advance notice. Please check with our sales representatives or product engineers before ordering.

2.This datasheet has only typical specifications because there is no space for detailed specifications.

Therefore, please review our product specifications or consult the approval sheet for product specifications before ordering.