

Metalized Polypropylene Film Capacitor

Type : **ECWFD**

Non-inductive construction using metalized Polypropylene film with flame retardant epoxy resin coating.



Features

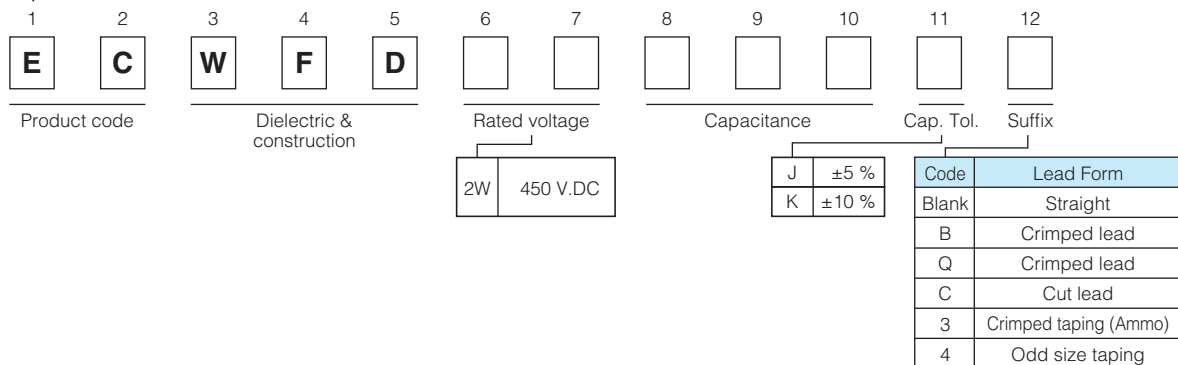
- Small size
- Low loss
- Low Hum Sound Noise
- Excellent frequency characteristics
- Flame-retardant epoxy resin coating
- RoHS directive compliant

Recommended applications

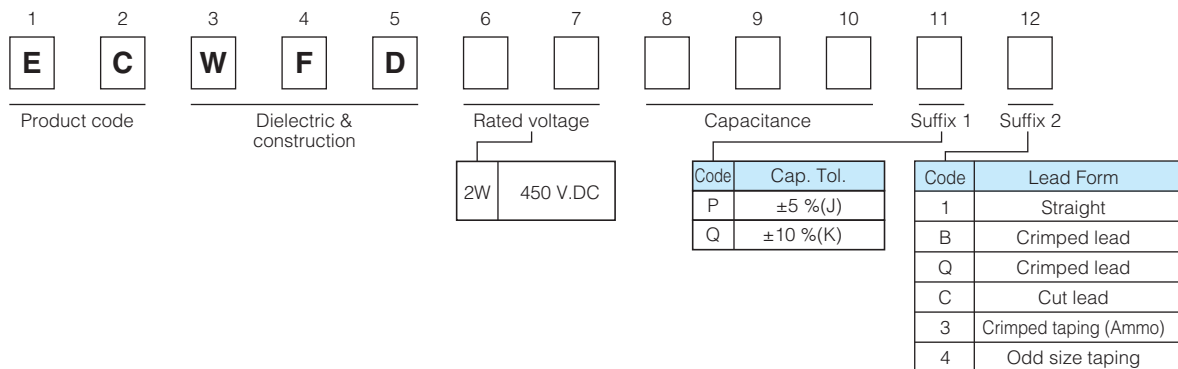
- Activ filter circuits
- High frequency and high current circuits

Explanation of part number

- Standard product



- Short lead space product (0.47 μ F, 0.68 μ F, 1.0 μ F)



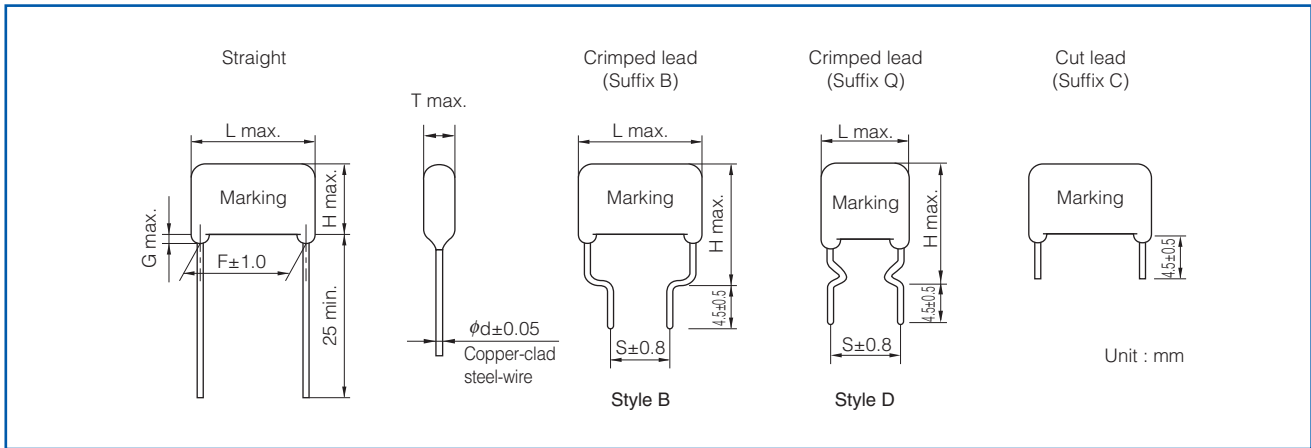
Specifications

Category temp. range (Including temperature-rise on unit surface)	- 40 °C to +110 °C
Rated voltage	450 V.DC (Derating of rated voltage by 0.62%/°C at more than 85°C Peak to peak voltage applied on the capacitor should be less than 240 Vp-p, and zero to peak voltage should be less than 450 Vo-p.
Capacitance range	0.1 μ F to 4.7 μ F
Capacitance tolerance	±5 %(J), ±10 %(K)
Dissipation factor (tan δ)	$\tan \delta \leq 0.1 \% (20^\circ\text{C}, 1\text{ kHz})$
Withstand voltage	Between terminals:Rated voltage (V.DC)×150 %, 60 s
Insulation resistance (IR)	C $\leq 0.33 \mu\text{F}$: IR $\geq 30000 \text{ M}\Omega$ C > 0.33 μ F : IR $\geq 10000 \text{ M}\Omega \cdot \mu\text{F}$ (20 °C, 100 V.DC, 60 s)

* In case of applying voltage in alternating current (50 Hz or 60 Hz sine wave) to a capacitor with DC rated voltage, please refer to the page of "Permissible voltage (R.M.S) in alternating current corresponding to DC rated voltage".

Design and specifications are each subject to change without notice. Ask factory for the current technical specifications before purchase and/or use.
Should a safety concern arise regarding this product, please be sure to contact us immediately.

Dimensions

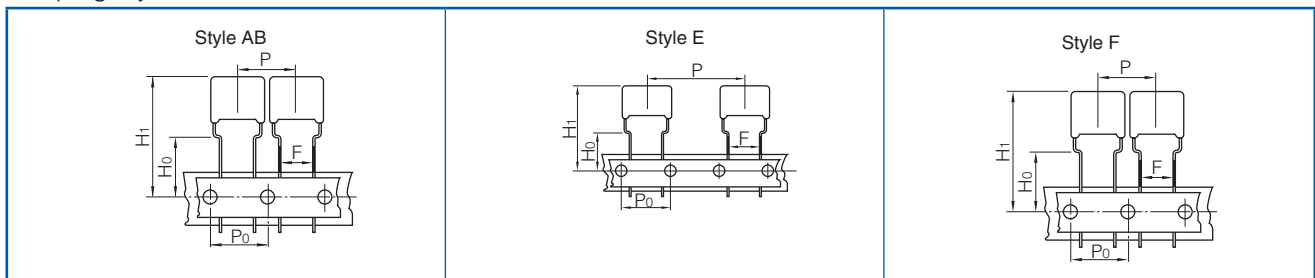


Packaging specifications for bulk package

- Packing quantity : 100 pcs./bag

Taping specifications for automatic insertion

- Taping style



- Taping style

Type	Rated voltage (V.DC)	Capacitance range (μF)	Taping style							Packing	suffix	
			AD	AS	AB	B	C	D	E			F
ECWFD	450	0.10 to 0.39			○						Ammo	3
		0.47, 0.68, 1.0			○							P3/Q3
		0.10 to 0.39								○		4
		0.47, 0.68, 1.0								○		P4/Q4
		0.47 to 2.2							○			4

* Refer to the page of taping specifications.

- Lead spacing

Style	Lead spacing
AB	5.0 mm
E	7.5 mm
F	7.5 mm

Rating · Dimensions · Quantity

● Rated voltage : 450 V.DC, Capacitance tolerance : ±5 % (J), ± 10 % (K),

Part No.	Cap. (μ F)	Dimensions (mm)										Min. order Q'ty				
		L max.	T max.	H max.			F	S		G max.	ϕ d	Taping		Bulk		
				Straight	Crimped lead (Suffix B)	Crimped lead (Suffix Q)		Crimped lead (Suffix B)	Crimped lead (Suffix Q)			5.0 mm	7.5 mm	Straight	Crimped lead	
ECWFD2W104□()	0.10	12.6	4.5	-	13.9	13.9	-	7.5	10.0	-	0.6	1500	1400	-	1000	
ECWFD2W124□()	0.12	12.6	4.6		14.0	14.0		7.5	10.0		0.6					
ECWFD2W154□()	0.15	12.6	4.6		14.1	14.1		7.5	10.0		0.6					
ECWFD2W184□()	0.18	12.6	4.8		14.3	14.3		7.5	10.0		0.6	1400	1300			
ECWFD2W224□()	0.22	12.6	5.0		14.6	14.6		7.5	10.0		0.6		1200			
ECWFD2W274□()	0.27	12.6	5.3		15.0	15.0		7.5	10.0		0.6	1300	1100			
ECWFD2W334□()	0.33	12.6	5.6		15.4	15.4		7.5	10.0		0.6	1200				
ECWFD2W394□()	0.39	12.6	6.0		15.7	15.7		7.5	10.0		0.6	1100	1000			
★ ECWFD2W474P()	0.47	12.6	6.5	11.2	16.2	16.2	10.0	7.5	10.0	1.5	0.6	1000	900			1000
ECWFD2W474Q()	0.47	12.6	6.5	11.2	16.2	16.2	10.0	7.5	10.0	1.5	0.6	1000	900			
ECWFD2W474□()	0.47	17.5	5.8	9.0	14.0	16.0	15.0	7.5	15.0	1.5	0.8	-	500			
ECWFD2W564□()	0.56	17.5	6.2	9.4	14.4	16.4	15.0	7.5	15.0	1.5	0.8	-	500			
★ ECWFD2W684P()	0.68	12.6	7.7	12.4	17.4	17.4	10.0	7.5	10.0	1.5	0.6	800	700			
ECWFD2W684Q()	0.68	12.6	7.7	12.4	17.4	17.4	10.0	7.5	10.0	1.5	0.6	800	700			
ECWFD2W684□()	0.68	17.5	6.7	9.9	14.9	16.9	15.0	7.5	15.0	1.5	0.8	-	400			
ECWFD2W824□()	0.82	17.5	7.2	10.4	15.4	17.4	15.0	7.5	15.0	1.5	0.8	-	400			
★ ECWFD2W105P()	1.0	12.6	9.2	13.9	18.9	18.9	10.0	7.5	10.0	1.5	0.6	700	600			
ECWFD2W105Q()	1.0	12.6	9.2	13.9	18.9	18.9	10.0	7.5	10.0	1.5	0.6	700	600			
ECWFD2W105□()	1.0	17.5	7.8	11.0	16.0	18.0	15.0	7.5	15.0	1.5	0.8	-	400			
ECWFD2W125□()	1.2	17.5	8.5	11.6	16.6	18.6	15.0	7.5	15.0	1.5	0.8		300			
ECWFD2W155□()	1.5	17.5	9.3	12.5	17.5	19.5	15.0	7.5	15.0	1.5	0.8		300			
ECWFD2W185□()	1.8	17.5	10.1	13.3	18.3	20.3	15.0	7.5	15.0	1.5	0.8		300			
ECWFD2W225□()	2.2	17.5	11.1	14.3	19.3	21.3	15.0	7.5	15.0	1.5	0.8		200			
ECWFD2W275□()	2.7	25.3	9.0	13.7	18.7	20.7	22.5	15.0	22.5	1.5	0.8		-	800		
ECWFD2W335□()	3.3	25.3	9.8	14.6	19.6	21.6	22.5	15.0	22.5	1.5	0.8					
ECWFD2W395□()	3.9	25.3	10.7	15.4	20.4	22.4	22.5	15.0	22.5	1.5	0.8					
ECWFD2W475□()	4.7	25.3	11.7	16.4	21.4	23.4	22.5	15.0	22.5	1.5	0.8				600	600

* □ : Capacitance tolerance code
() : Suffix for lead crimped

Note) Part Number marked with ★ is Short Lead Space Product.