

### FEATURES

- Power Path and Inrush Current Control for Redundant Supplies
- Low Loss Replacement for Power Schottky Diodes
- Protects Output Voltage from Input Brownouts
- Allows Safe Hot Swapping from a Live Backplane
- 2.9V to 18V Operating Range
- Controls N-Channel MOSFETs
- Limits Peak Fault Current in  $\leq 1\mu\text{s}$
- Adjustable Current Limit with Circuit Breaker
- Adjustable Current Limit Fault Delay
- Smooth Switchover without Oscillation
- 0.5 $\mu\text{s}$  Ideal Diode Turn-On and Turn-Off Time
- Status, Fault and Power Good Outputs
- LTC4228-1: Latch Off After Fault
- LTC4228-2: Automatic Retry After Fault
- 28-Lead 4mm  $\times$  5mm QFN and SSOP Packages

### APPLICATIONS

- Redundant Power Supplies
- MicroTCA Systems and Servers
- Telecom Networks
- Power Prioritizer

### DESCRIPTION

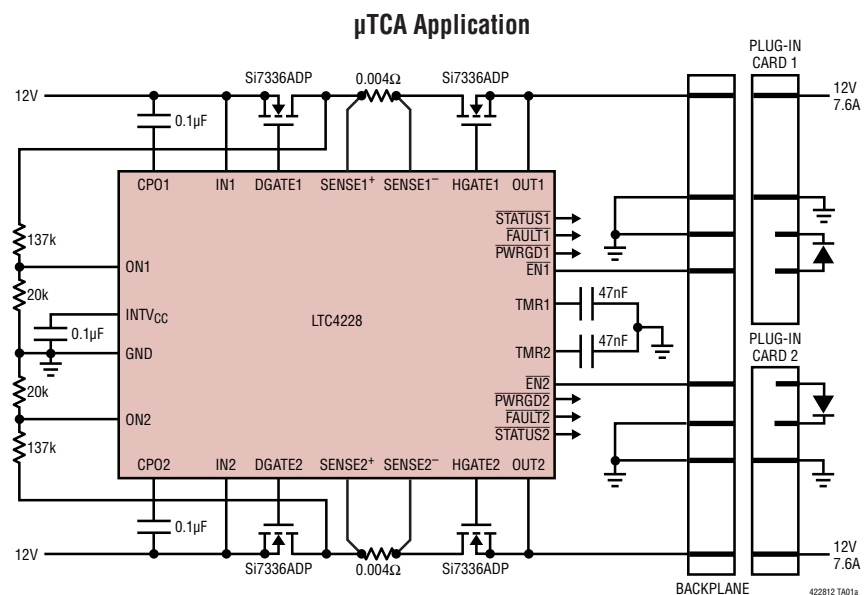
The LTC<sup>®</sup>4228 offers ideal diode and Hot Swap<sup>™</sup> functions for two power rails by controlling two external N-channel MOSFETs in each rail. MOSFETs acting as ideal diodes replace two high power Schottky diodes and the associated heat sinks, saving power and board area. Hot Swap control MOSFETs allow boards to be safely inserted and removed from a live backplane by limiting inrush current. The supply output is also protected against short-circuit faults with a fast acting current limit and internal timed circuit breaker.

The LTC4228 regulates the forward voltage drop across the external MOSFETs and sense resistor to ensure smooth current transfer from one supply to the other without oscillation. The ideal diodes turn on quickly to reduce the load voltage droop during supply switch-over. If the input supply fails or is shorted, a fast turn-off minimizes reverse-current transients.

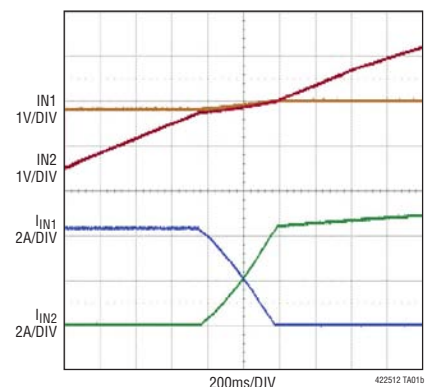
The LTC4228 allows independent on/off control, and reports fault and power good status for the supply. The LTC4228 improves on the LTC4225 by recovering more quickly from input brownouts to preserve the output voltage.

LT, LTC, LTM, Linear Technology and the Linear logo are registered trademarks of Linear Technology Corporation. Hot Swap is a trademark of Linear Technology Corporation. All other trademarks are the property of their respective owners.

### TYPICAL APPLICATION



**Smooth Supply Switchover**

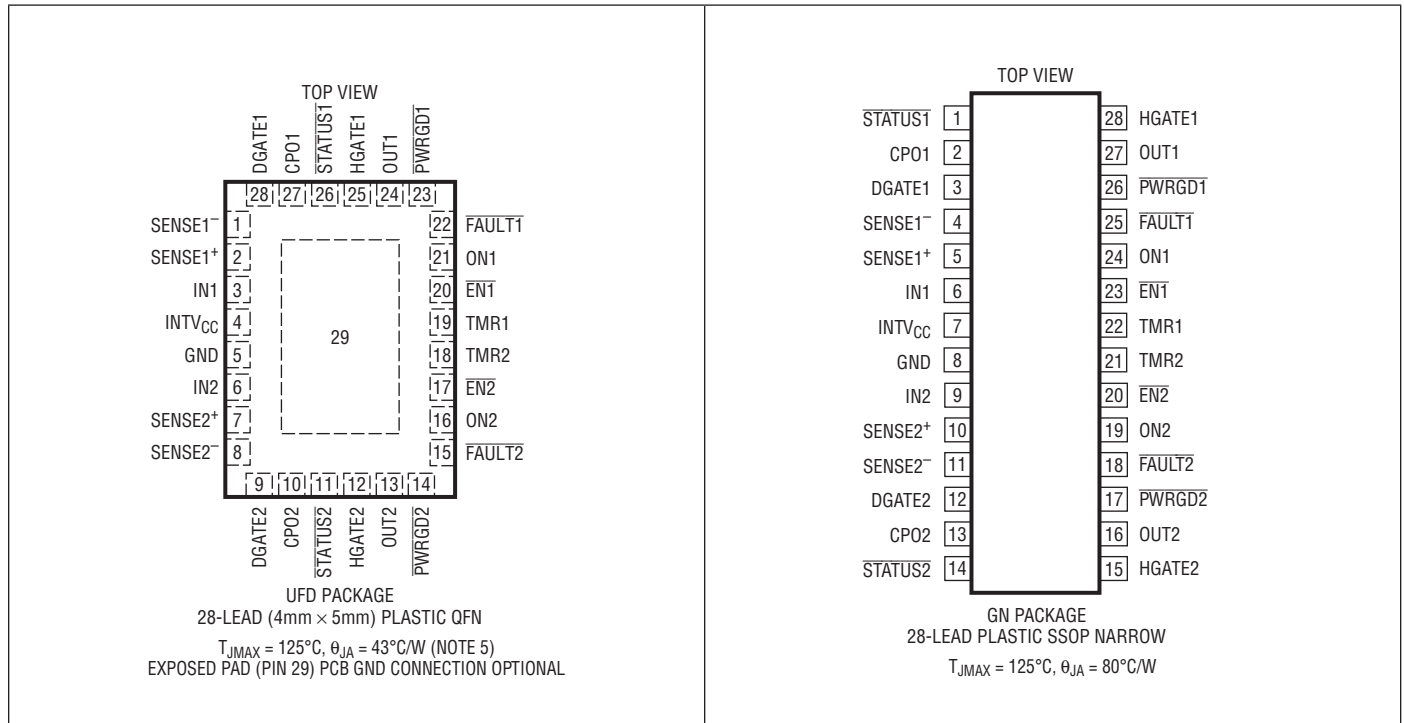


# LTC4228-1/LTC4228-2

## ABSOLUTE MAXIMUM RATINGS (Notes 1, 2)

Supply Voltages	HGATE1, HGATE2 (Note 4).....	-0.3V to 35V
IN1, IN2.....	OUT1, OUT2.....	-0.3V to 24V
INTV <sub>CC</sub> .....	Average Currents	
Input Voltages	FAULT1, FAULT2, PWRGD1, PWRGD2.....	5mA
ON1, ON2, EN1, EN2.....	STATUS1, STATUS2 .....	5mA
TMR1, TMR2 .....	INTV <sub>CC</sub> .....	1mA
SENSE1+, SENSE2+ .....	Operating Temperature Range	
SENSE1-, SENSE2- .....	LTC4228C .....	0°C to 70°C
Output Voltages	LTC4228I .....	-40°C to 85°C
FAULT1, FAULT2, PWRGD1, PWRGD2.....	Storage Temperature Range .....	-65°C to 150°C
STATUS1, STATUS2 .....	Lead Temperature (Soldering, 10 sec)	
CPO1, CPO2 (Note 3).....	GN Package .....	300°C
DGATE1, DGATE2 (Note 3).....		

## PIN CONFIGURATION



## ORDER INFORMATION

LEAD FREE FINISH	TAPE AND REEL	PART MARKING*	PACKAGE DESCRIPTION	TEMPERATURE RANGE
LTC4228CUFD-1#PBF	LTC4228CUFD-1#TRPBF	42281	28-Lead (4mm × 5mm) Plastic QFN	0°C to 70°C
LTC4228CUFD-2#PBF	LTC4228CUFD-2#TRPBF	42282	28-Lead (4mm × 5mm) Plastic QFN	0°C to 70°C
LTC4228IUF-1#PBF	LTC4228IUF-1#TRPBF	42281	28-Lead (4mm × 5mm) Plastic QFN	-40°C to 85°C
LTC4228IUF-2#PBF	LTC4228IUF-2#TRPBF	42282	28-Lead (4mm × 5mm) Plastic QFN	-40°C to 85°C
LTC4228CGN-1#PBF	LTC4228CGN-1#TRPBF	LTC4228GN-1	28-Lead Plastic SSOP	0°C to 70°C
LTC4228CGN-2#PBF	LTC4228CGN-2#TRPBF	LTC4228GN-2	28-Lead Plastic SSOP	0°C to 70°C
LTC4228IGN-1#PBF	LTC4228IGN-1#TRPBF	LTC4228GN-1	28-Lead Plastic SSOP	-40°C to 85°C
LTC4228IGN-2#PBF	LTC4228IGN-2#TRPBF	LTC4228GN-2	28-Lead Plastic SSOP	-40°C to 85°C

Consult LTC Marketing for parts specified with wider operating temperature ranges. \*The temperature grade is identified by a label on the shipping container. Consult LTC Marketing for information on non-standard lead based finish parts.

For more information on lead free part marking, go to: <http://www.linear.com/leadfree/>

For more information on tape and reel specifications, go to: <http://www.linear.com/tapeandreeel/>

## ELECTRICAL CHARACTERISTICS

The ● denotes the specifications which apply over the full operating temperature range, otherwise specifications are at  $T_A = 25^\circ\text{C}$ .  $V_{IN} = 12\text{V}$ , unless otherwise noted.

SYMBOL	PARAMETER	CONDITIONS	MIN	TYP	MAX	UNITS
<b>Supplies</b>						
$V_{IN}$	Input Supply Range		● 2.9		18	V
$I_{IN}$	Input Supply Current		●	2.5	5	mA
$V_{INTVCC}$	Internal Regulator Voltage	$I = 0, -500\mu\text{A}$	● 4.5	5	5.6	V
$V_{INTVCC(UVL)}$	Internal $V_{CC}$ Undervoltage Lockout	INTV <sub>CC</sub> Rising	● 2.1	2.2	2.3	V
$\Delta V_{INTVCC(HYST)}$	Internal $V_{CC}$ Undervoltage Lockout Hysteresis		● 30	60	90	mV
<b>Ideal Diode Control</b>						
$\Delta V_{FWD(REG)}$	Forward Regulation Voltage ( $V_{INn} - V_{OUTn}$ )		● 10	25	40	mV
$\Delta V_{DGATE}$	External N-Channel Gate Drive ( $V_{DGATEn} - V_{INn}$ )	$IN < 7\text{V}, \Delta V_{FWD} = 0.1\text{V}, I = 0, -1\mu\text{A}$	● 5	7	14	V
		$IN = 7\text{V to } 18\text{V}, \Delta V_{FWD} = 0.1\text{V}, I = 0, -1\mu\text{A}$	● 10	12	14	V
$\Delta V_{DGATE(ST)}$	Diode MOSFET On Detect Threshold	STATUS Pulls Low, $\Delta V_{FWD} = 50\text{mV}$	● 0.3	0.7	1.1	V
$I_{CPO(UP)}$	CPOn Pull-Up Current	$CPO = IN = 2.9\text{V}$	● -60	-95	-120	$\mu\text{A}$
		$CPO = IN = 18\text{V}$	● -50	-85	-110	$\mu\text{A}$
$I_{DGATE(FPU)}$	DGATEn Fast Pull-Up Current	$\Delta V_{FWD} = 0.2\text{V}, \Delta V_{DGATE} = 0\text{V}, CPO = 17\text{V}$		-1.5		A
$I_{DGATE(FPD)}$	DGATEn Fast Pull-Down Current	$\Delta V_{FWD} = -0.2\text{V}, \Delta V_{DGATE} = 5\text{V}$		1.5		A
$t_{ON(DGATE)}$	DGATEn Turn-On Delay	$\Delta V_{FWD} = 0.2\text{V}, C_{DGATE} = 10\text{nF}$	●	0.25	0.5	$\mu\text{s}$
$t_{OFF(DGATE)}$	DGATEn Turn-Off Delay	$\Delta V_{FWD} = -0.2\text{V}, C_{DGATE} = 10\text{nF}$	●	0.2	0.5	$\mu\text{s}$
<b>Hot Swap Control</b>						
$\Delta V_{SENSE(CB)}$	Circuit Breaker Trip Sense Voltage ( $V_{SENSEn^+} - V_{SENSEn^-}$ )		● 47.5	50	52.5	mV
$\Delta V_{SENSE(ACL)}$	Active Current Limit Sense Voltage ( $V_{SENSEn^+} - V_{SENSEn^-}$ )		● 55	65	75	mV
$V_{SENSE^+(UVL)}$	SENSE <sup>+</sup> Undervoltage Lockout	SENSE <sup>+</sup> Rising	● 1.75	1.9	2.05	V
$\Delta V_{SENSE^+(HYST)}$	SENSE <sup>+</sup> Undervoltage Lockout Hysteresis		● 10	50	90	mV
$I_{SENSE^+}$	SENSE <sup>+</sup> Input Current	SENSE <sup>+</sup> = 12V	● 150	350	500	$\mu\text{A}$
$I_{SENSE^-}$	SENSE <sup>-</sup> Input Current	SENSE <sup>-</sup> = 12V	● 10	50	100	$\mu\text{A}$
$\Delta V_{HGATE}$	External N-Channel Gate Drive ( $V_{HGATEn} - V_{OUTn}$ )	$IN < 7\text{V}, I = 0, -1\mu\text{A}$	● 4.8	7	14	V
		$IN = 7\text{V to } 18\text{V}, I = 0, -1\mu\text{A}$	● 10	12	14	V

422812f

# LTC4228-1/LTC4228-2

## ELECTRICAL CHARACTERISTICS

The ● denotes the specifications which apply over the full operating temperature range, otherwise specifications are at  $T_A = 25^\circ\text{C}$ .  $V_{IN} = 12\text{V}$ , unless otherwise noted.

SYMBOL	PARAMETER	CONDITIONS		MIN	TYP	MAX	UNITS
$\Delta V_{HGATE(PG)}$	Gate-Source Voltage for Power Good		●	3.6	4.2	4.8	V
$I_{HGATE(UP)}$	External N-Channel Gate Pull-Up Current	Gate Drive On, HGATE = 0V	●	-7	-10	-13	$\mu\text{A}$
$I_{HGATE(DN)}$	External N-Channel Gate Pull-Down Current	Gate Drive Off, OUT = 12V, HGATE = OUT + 5V	●	150	300	500	$\mu\text{A}$
$I_{HGATE(FPD)}$	External N-Channel Gate Fast Pull-Down Current	Fast Turn-Off, OUT = 12V, HGATE = OUT + 5V	●	100	200	300	mA
$t_{PHL(SENSE)}$	Sense Voltage ( $\text{SENSEn}^+ - \text{SENSEn}^-$ ) High to HGATEn Low	$\Delta V_{SENSE} = 300\text{mV}$ , $C_{HGATE} = 10\text{nF}$	●		0.5	1	$\mu\text{s}$
$t_{OFF(HGATE)}$	$\overline{\text{ENn}}$ High to HGATEn Low ONn Low to HGATEn Low SENSEn+ Low to HGATEn Low		● ● ●		20 10 10	40 20 20	$\mu\text{s}$ $\mu\text{s}$ $\mu\text{s}$
$t_D(HGATE)$	ONn High, $\overline{\text{ENn}}$ Low to HGATEn Turn-On Delay		●	50	100	150	ms
$t_P(HGATE)$	ONn to HGATEn Propagation Delay	ON = Step 0.8V to 2V	●		10	20	$\mu\text{s}$
<b>Input/Output Pin</b>							
$V_{ON(TH)}$	ONn Threshold Voltage	ON Rising	●	1.21	1.235	1.26	V
$\Delta V_{ON(HYST)}$	ONn Hysteresis		●	40	80	140	mV
$V_{ON(RESET)}$	ONn Fault Reset Threshold Voltage	ON Falling	●	0.55	0.6	0.63	V
$I_{ON(LEAK)}$	ONn Input Leakage Current	ON = 5V	●		0	$\pm 1$	$\mu\text{A}$
$V_{\overline{\text{EN}}(TH)}$	$\overline{\text{ENn}}$ Threshold Voltage	$\overline{\text{EN}}$ Rising	●	1.185	1.235	1.284	V
$\Delta V_{\overline{\text{EN}}(HYST)}$	$\overline{\text{ENn}}$ Hysteresis		●	40	130	200	mV
$I_{\overline{\text{EN}}(UP)}$	$\overline{\text{ENn}}$ Pull-Up Current	$\overline{\text{EN}} = 1\text{V}$	●	-7	-10	-13	$\mu\text{A}$
$V_{TMR(TH)}$	TMRn Threshold Voltage	TMR Rising TMR Falling	● ●	1.198 0.15	1.235 0.2	1.272 0.25	V V
$I_{TMR(UP)}$	TMRn Pull-Up Current	TMR = 1V, In Fault Mode	●	-75	-100	-125	$\mu\text{A}$
$I_{TMR(DN)}$	TMRn Pull-Down Current	TMR = 2V, No Faults	●	1.4	2	2.6	$\mu\text{A}$
$I_{TMR(RATIO)}$	TMRn Current Ratio $I_{TMR(DN)}/I_{TMR(UP)}$		●	1.4	2	2.7	%
$I_{OUT}$	OUTn Current	OUT = 11V, IN = 12V, ON = 2V OUT = 13V, IN = 12V, ON = 2V	● ●		50 2.5	120 5	$\mu\text{A}$ mA
$V_{OL}$	Output Low Voltage (FAULTn, PWRGDn, STATUSn)	$I = 1\text{mA}$	●		0.15	0.4	V
$V_{OH}$	Output High Voltage (FAULTn, PWRGDn, STATUSn)	$I = -1\mu\text{A}$	●	$\text{INTV}_{CC} - 1$ $\text{INTV}_{CC} - 0.5$			V
$I_{OH}$	Input Leakage Current (FAULTn, PWRGDn, STATUSn)	$V = 18\text{V}$	●		0	$\pm 1$	$\mu\text{A}$
$I_{PU}$	Output Pull-Up Current (FAULTn, PWRGDn, STATUSn)	$V = 1.5\text{V}$	●	-7	-10	-13	$\mu\text{A}$
$t_{RST(ON)}$	ONn Low to $\overline{\text{FAULTn}}$ High		●		20	40	$\mu\text{s}$

**Note 1:** Stresses beyond those listed under Absolute Maximum Ratings may cause permanent damage to the device. Exposure to any Absolute Maximum Rating condition for extended periods may affect device reliability and lifetime.

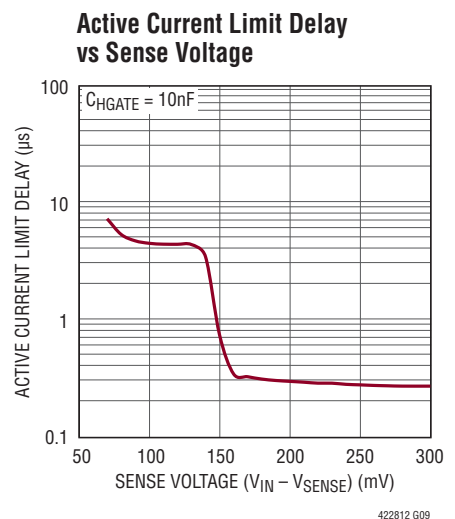
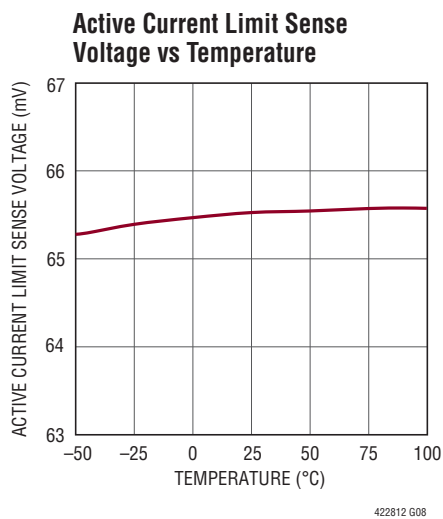
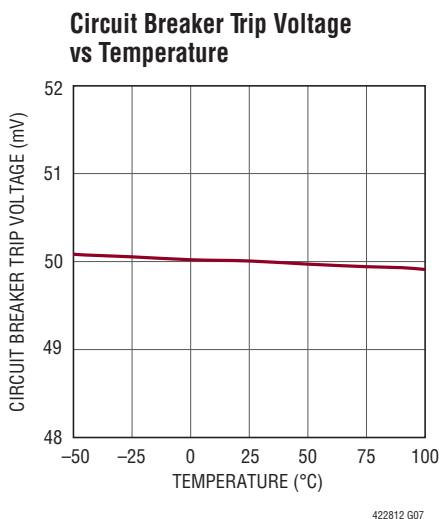
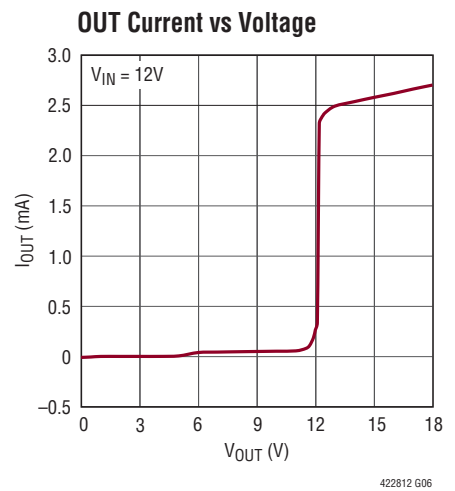
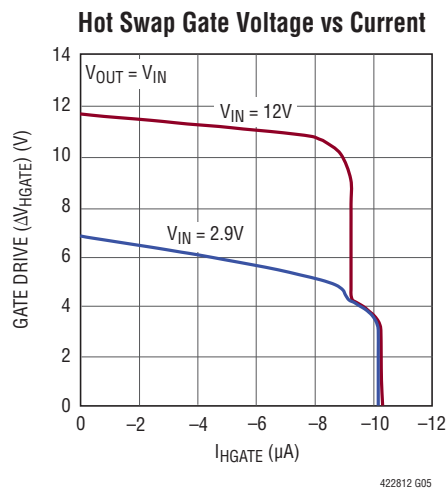
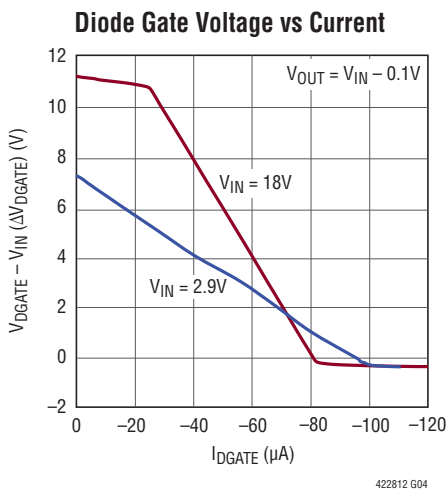
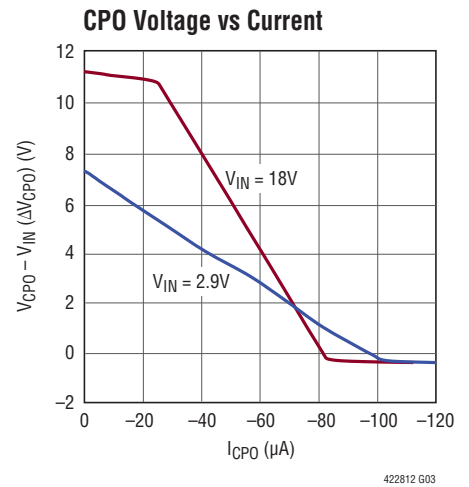
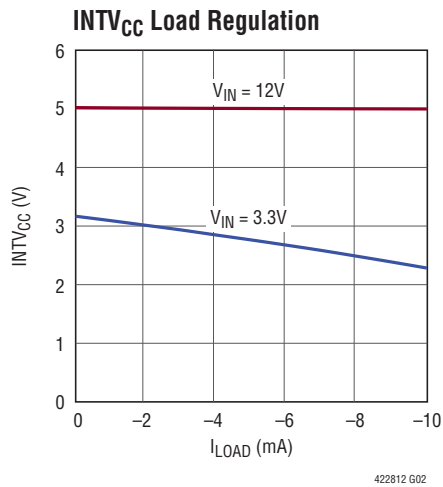
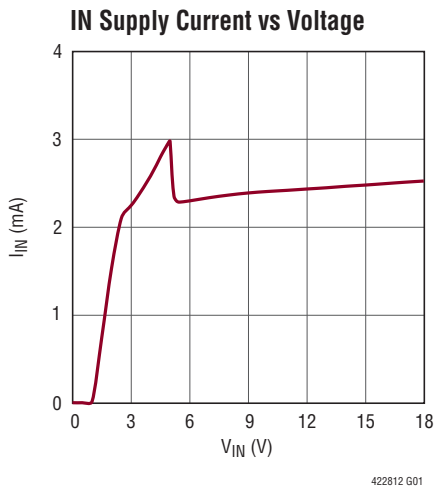
**Note 2:** All currents into device pins are positive; all currents out of device pins are negative. All voltages are referenced to GND unless otherwise specified.

**Note 3:** An internal clamp limits the DGATE and CPO pins to a minimum of 10V above and a diode below IN. Driving these pins to voltages beyond the clamp may damage the device.

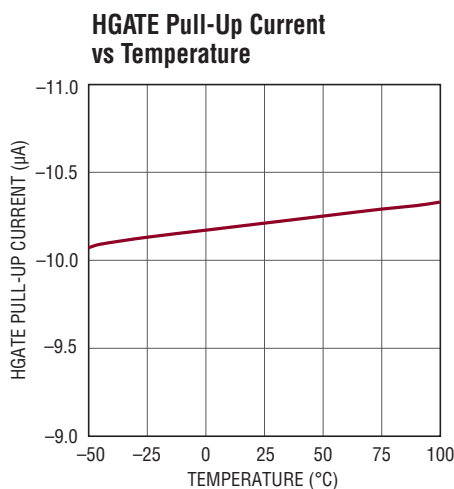
**Note 4:** An internal clamp limits the HGATE pin to a minimum of 10V above and a diode below OUT. Driving this pin to voltages beyond the clamp may damage the device.

**Note 5:** Thermal resistance is specified when the exposed pad is soldered to a 3" × 4.5", four layer, FR4 board.

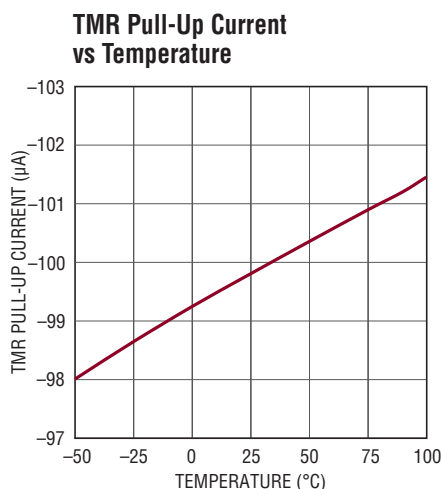
**TYPICAL PERFORMANCE CHARACTERISTICS**  $T_A = 25^\circ\text{C}$ ,  $V_{IN} = 12\text{V}$ , unless otherwise noted.



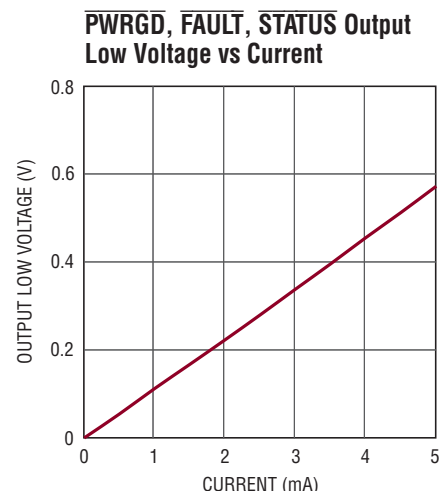
## TYPICAL PERFORMANCE CHARACTERISTICS $T_A = 25^\circ\text{C}$ , $V_{IN} = 12\text{V}$ , unless otherwise noted.



422812 G10



422812 G11



422812 G12

## PIN FUNCTIONS

**CPO1, CPO2:** Charge Pump Output. Connect a capacitor from CPO1 or CPO2 to the corresponding IN1 or IN2 pin. The value of this capacitor is approximately  $10\times$  the gate capacitance ( $C_{ISS}$ ) of the external MOSFET for ideal diode control. The charge stored on this capacitor is used to pull up the gate during a fast turn-on. Leave this pin open if fast turn-on is not needed.

**DGATE1, DGATE2:** Ideal Diode MOSFET Gate Drive Output. Connect this pin to the gate of an external N-channel MOSFET for ideal diode control. An internal clamp limits the gate voltage to 12V above and a diode voltage below IN. During fast turn-on, a 1.5A pull-up charges DGATE from CPO. During fast turn-off, a 1.5A pull-down discharges DGATE to IN.

**EN1, EN2:** Enable Input. Ground this pin to enable Hot Swap control. If this pin is pulled high, the MOSFET is not allowed to turn on. A  $10\mu\text{A}$  current source pulls this pin up to a diode below  $\text{INTV}_{CC}$ . Upon  $\overline{\text{EN}}$  going low when ON is high, an internal timer provides a 100ms start-up delay for debounce, after which the fault is cleared.

**Exposed Pad (UFD Package):** The exposed pad may be left open or connected to device ground.

**FAULT1, FAULT2:** Fault Status Output. Open-drain output that is normally pulled high by a  $10\mu\text{A}$  current source to a diode below  $\text{INTV}_{CC}$ . It may be pulled above  $\text{INTV}_{CC}$  using an external pull-up. It pulls low when the circuit breaker is tripped after an overcurrent fault timeout. Leave open if unused.

**GND:** Device Ground.

**HGATE1, HGATE2:** Hot Swap MOSFET Gate Drive Output. Connect this pin to the gate of the external N-channel MOSFET for Hot Swap control. An internal  $10\mu\text{A}$  current source charges the MOSFET gate. An internal clamp limits the gate voltage to 12V above and a diode below OUT. During turn-off, a  $300\mu\text{A}$  pull-down discharges HGATE to ground. During an output short or  $\text{INTV}_{CC}$  undervoltage lockout, a fast  $200\text{mA}$  pull-down discharges HGATE to OUT.

**IN1, IN2:** Positive Supply Input and Ideal Diode's MOSFET Gate Drive Return. The 5V  $\text{INTV}_{CC}$  supply is generated from IN1, IN2, OUT1 and OUT2 via an internal diode-OR. The voltage sensed at this pin is used to control DGATE for forward voltage regulation and reverse turn-off. The gate fast pull-down current returns through this pin when DGATE is discharged.

## PIN FUNCTIONS

**INTV<sub>CC</sub>**: Internal 5V Supply Decoupling Output. This pin must have a 0.1 $\mu$ F or larger capacitor. An external load of less than 500 $\mu$ A can be connected at this pin.

**ON1, ON2**: On Control Input. A rising edge above 1.235V turns on the external Hot Swap MOSFET and a falling edge below 1.155V turns it off. Connect this pin to an external resistive divider from IN or SENSE<sup>+</sup> to monitor the supply undervoltage condition. Pulling the ON pin below 0.6V resets the electronic circuit breaker.

**OUT1, OUT2**: Output Voltage Sense and Hot Swap's MOSFET Gate Drive Return. Connect this pin to the output side of the external MOSFET. The voltage sensed at this pin is used to control DGATE. The gate fast pull-down current returns through this pin when HGATE is discharged.

**PWRGD1, PWRGD2**: Power Status Output. Open-drain output that is normally pulled high by a 10 $\mu$ A current source to a diode below INTV<sub>CC</sub>. It may be pulled above INTV<sub>CC</sub> using an external pull-up. It pulls low when the MOSFET gate drive between HGATE and OUT exceeds the gate-to-source voltage of 4.2V. Leave open if unused.

**SENSE1<sup>+</sup>, SENSE2<sup>+</sup>**: Positive Current Sense Input. Connect this pin to the output of the external ideal diode MOSFET and input of the current sense resistor. The voltage sensed

at this pin is used for monitoring the current limit. This pin has an undervoltage lockout threshold of 1.9V that will turn off the Hot Swap MOSFET.

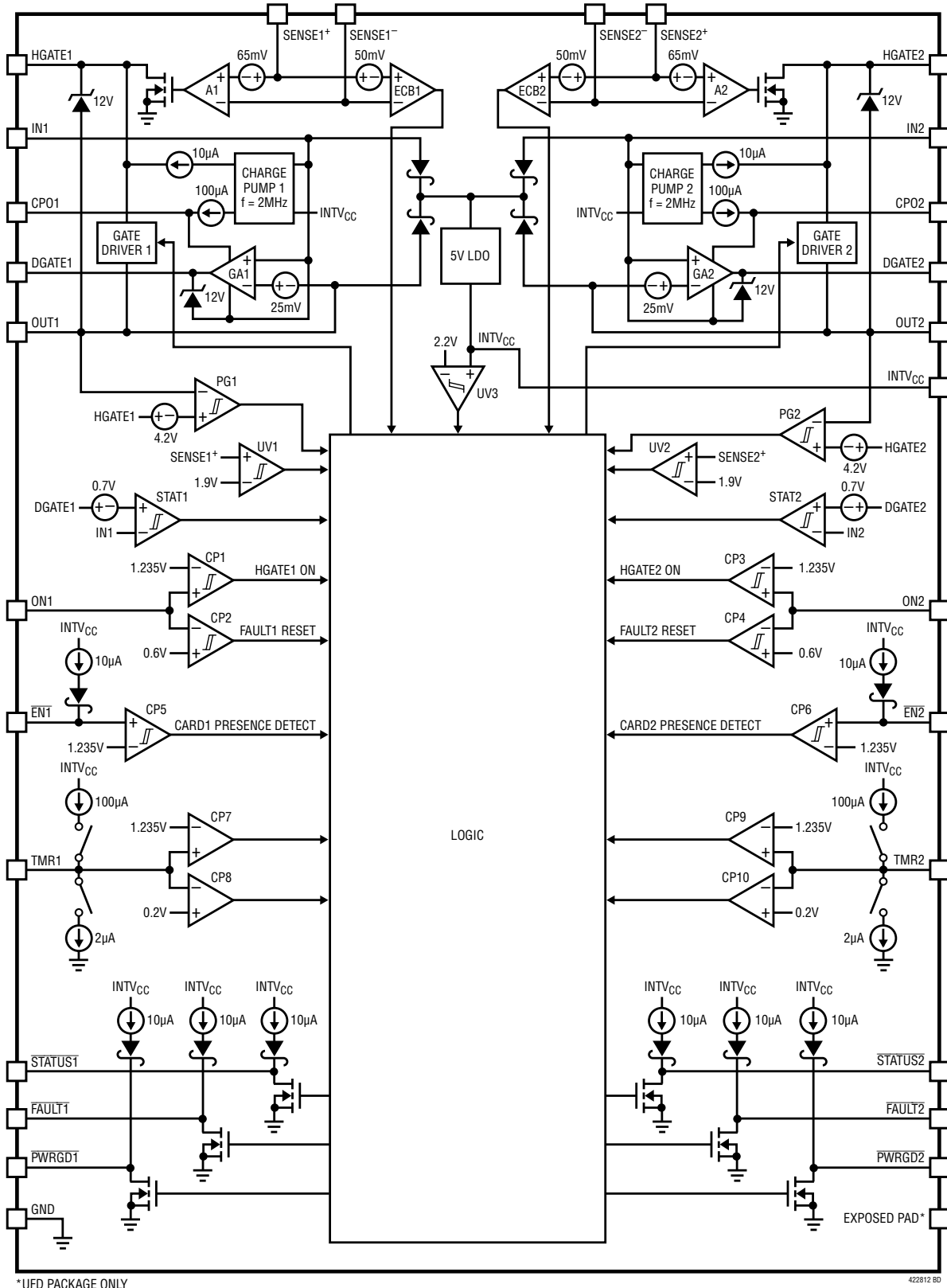
**SENSE1<sup>-</sup>, SENSE2<sup>-</sup>**: Negative Current Sense Input. Connect this pin to the output of the current sense resistor. The current limit circuit controls HGATE to limit the voltage between SENSE<sup>+</sup> and SENSE<sup>-</sup> to 65mV. A circuit breaker trips when the sense voltage exceeds 50mV for more than a fault filter delay configured at the TMR pin.

**STATUS1, STATUS2**: Diode MOSFET Status Output. Open-drain output that is normally pulled high by a 10 $\mu$ A current source to a diode below INTV<sub>CC</sub>. It may be pulled above INTV<sub>CC</sub> using an external pull-up. It pulls low when the MOSFET gate drive between DGATE and IN exceeds the gate-to-source voltage of 0.7V. Leave open if unused.

**TMR1, TMR2**: Timer Capacitor Terminal. Connect a capacitor between this pin and ground to set a 12ms/ $\mu$ F duration for current limit before the external Hot Swap MOSFET is turned off. The duration of the off time is 617ms/ $\mu$ F, resulting in a 2% duty cycle.



## BLOCK DIAGRAM



\*UFD PACKAGE ONLY

422812 B0



## OPERATION

The LTC4228 functions as an ideal diode with inrush current limiting and overcurrent protection by controlling two external N-channel MOSFETs ( $M_D$  and  $M_H$ ) on a supply path. This allows boards to be safely inserted and removed in systems with a backplane powered by redundant supplies, such as  $\mu$ TCA applications. The LTC4228 has two separate ideal diode and Hot Swap controllers, each providing independent control for the two input supplies.

When the LTC4228 is first powered up, the gates of the external MOSFETs are held low, keeping them off. The gate drive amplifier (GA1, GA2) monitors the voltage between the IN and OUT pins and drives the DGATE pin. The amplifier quickly pulls up the DGATE pin, turning on the MOSFET for ideal diode control, when it senses a large forward voltage drop. The stored charge in an external capacitor connected between the CPO and IN pins provides the charge needed to quickly turn on the ideal diode MOSFET. An internal charge pump charges up this capacitor at device power-up. The DGATE pin sources current from the CPO pin and sinks current into the IN and GND pins. When the DGATE to IN voltage exceeds 0.7V, the  $\overline{\text{STATUS}}$  pin pulls low to indicate that the ideal diode MOSFET is turned on.

Pulling the ON pin high and the  $\overline{\text{EN}}$  pin low initiates a 100ms debounce timing cycle. After this timing cycle, a 10 $\mu$ A current source from the charge pump ramps up the HGATE pin. When the Hot Swap MOSFET turns on, the inrush current is limited at a level set by an external sense resistor ( $R_S$ ) connected between the SENSE<sup>+</sup> and SENSE<sup>-</sup> pins. An active current limit amplifier (A1, A2) servos the gate of the MOSFET to 65mV across the current sense resistor. Inrush current can be further reduced, if desired, by adding a capacitor from HGATE to GND. When the MOSFET's gate overdrive (HGATE to OUT voltage) exceeds 4.2V, the PWRGD pin pulls low.

When both of the MOSFETs are turned on, the gate drive amplifier controls DGATE to servo the forward voltage drop ( $V_{IN} - V_{OUT}$ ) across the sense resistor and the two MOSFETs to 25mV. If the load current causes more than 25mV of voltage drop, the DGATE voltage rises to enhance the MOSFET used for ideal diode control. For large output currents, the ideal diode MOSFET is driven fully on and the voltage drop across the MOSFETs is equal to the sum of the  $I_{LOAD} \cdot R_{DS(ON)}$  of the two MOSFETs in series.

In the case of an input supply short circuit when the MOSFETs are conducting, a large reverse current starts flowing from the load towards the input. The gate drive amplifier detects this failure condition as soon as it appears and turns off the ideal diode MOSFET by pulling down the DGATE pin.

In the case where an overcurrent fault occurs on the supply output, the current is limited to 65mV/ $R_S$ . After a fault filter delay set by 100 $\mu$ A charging the TMR pin capacitor, the circuit breaker trips and pulls the HGATE pin low, turning off the Hot Swap MOSFET. Only the supply at fault is affected, with the corresponding  $\overline{\text{FAULT}}$  pin latched low. At this point, the DGATE pin continues to pull high and keeps the ideal diode MOSFET on.

Internal clamps limit both the DGATE to IN and CPO to IN voltages to 12V. The same clamp also limits the CPO and DGATE pins to a diode voltage below the IN pin. Another internal clamp limits the HGATE to OUT voltage to 12V and also clamps the HGATE pin to a diode voltage below the OUT pin.

Power to the LTC4228 is supplied from either the IN or OUT pins, through an internal diode-OR circuit to a low dropout regulator (LDO). That LDO generates a 5V supply at the INTV<sub>CC</sub> pin and powers the LTC4228's internal low voltage circuitry.

## APPLICATIONS INFORMATION

High availability systems often employ parallel-connected power supplies or battery feeds to achieve redundancy and enhance system reliability. Power ORing diodes are commonly used to connect these supplies at the point of load, but at the expense of power loss due to significant diode forward voltage drop. The LTC4228 minimizes this power loss by using external N-channel MOSFETs for the pass elements, allowing for a low voltage drop from the supply to the load when the MOSFETs are turned on. When an input source voltage drops below the output common supply voltage, the appropriate MOSFET is turned off, thereby matching the function and performance of an ideal diode. By adding a current sense resistor in between the two external MOSFETs that are separately controlled, the LTC4228 enhances the ideal diode performance with inrush current limiting and overcurrent protection (see Figure 1). This allows the boards to be safely inserted and removed from a live backplane without damaging the connector.

### Internal V<sub>CC</sub> Supply

The LTC4228 can operate with input supplies from 2.9V to 18V at the IN pins. The power supply to the device is

internally regulated at 5V by a low dropout regulator (LDO) with an output at the INTV<sub>CC</sub> pin. An internal diode-OR circuit selects the highest of the supplies at the IN and OUT pins to power the device through the LDO. The diode-OR scheme permits the device's power to be temporarily kept alive by the OUT load capacitance when the IN supplies have collapsed or shut off.

An undervoltage lockout circuit prevents all of the MOSFETs from turning on until the INTV<sub>CC</sub> voltage exceeds 2.2V. A 0.1μF capacitor is recommended between the INTV<sub>CC</sub> and GND pins, close to the device for bypassing. No external supply should be connected at the INTV<sub>CC</sub> pin so as not to affect the LDO's operation. A small external load of less than 500μA can be connected at the INTV<sub>CC</sub> pin.

### Turn-On Sequence

The board power supply at the OUT pin is controlled with two external N-channel MOSFETs (M<sub>D</sub>, M<sub>H</sub>). The MOSFET M<sub>D</sub> on the supply side functions as an ideal diode, while M<sub>H</sub> on the load side acts as a Hot Swap controlling the power supplied to the output load. The sense resistor, R<sub>S</sub>,

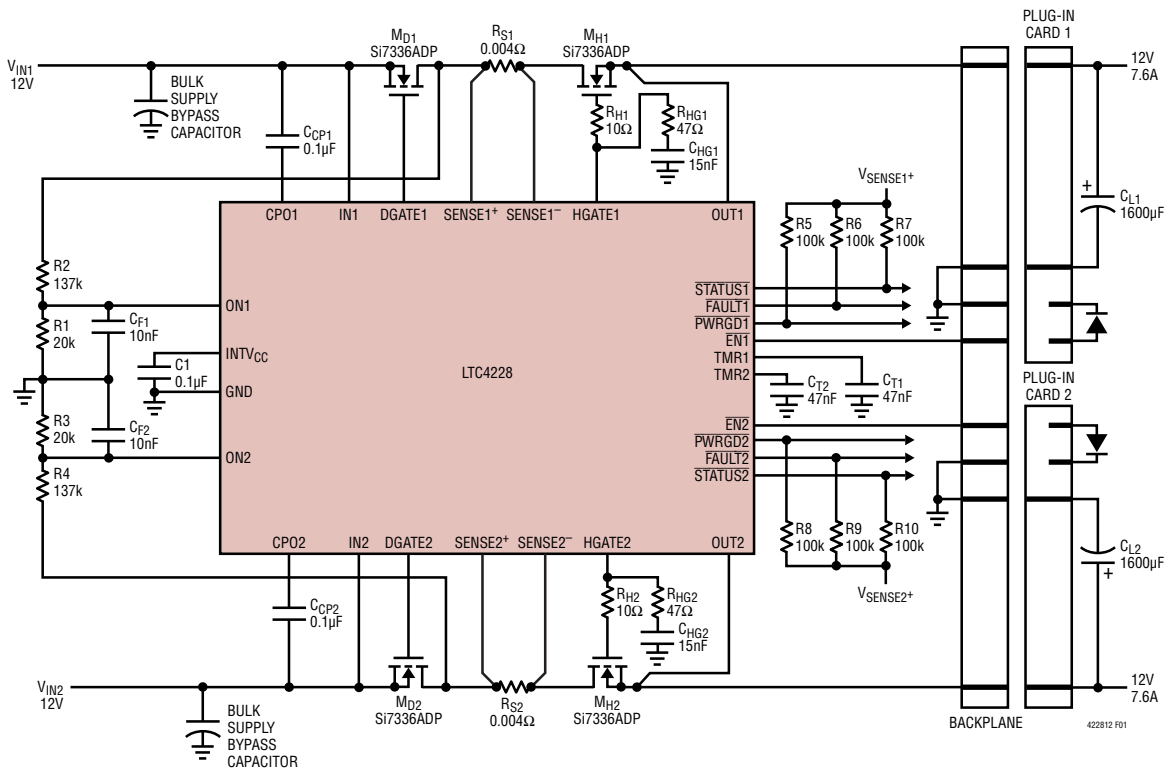


Figure 1. μTCA Application Supplying 12V Power to Two μTCA Slots

422812f

## APPLICATIONS INFORMATION

monitors the load current for overcurrent detection. The HGATE capacitor,  $C_{HG}$ , controls the gate slew rate to limit the inrush current. Resistor  $R_{HG}$  with  $C_{HG}$  compensates the current control loop, while  $R_H$  prevents high frequency oscillations in the Hot Swap MOSFET.

During a normal power-up, the ideal diode MOSFET turns on first. As soon as the internally generated supply,  $INTV_{CC}$ , rises above its 2.2V undervoltage lockout threshold, the internal charge pump is allowed to charge up the CPO pins. Because the Hot Swap MOSFET is turned off at power-up, OUT remains low. As a result, the ideal diode gate drive amplifier senses a large forward drop between the IN and OUT pins, causing it to pull up DGATE to the CPO pin voltage.

Before the Hot Swap MOSFET can be turned on,  $\overline{EN}$  must remain low and ON must remain high for a 100ms debounce cycle to ensure that any contact bounces during the insertion have ceased. At the end of the debounce cycle, the internal fault latches are cleared. The Hot Swap MOSFET is then allowed to turn on by charging up HGATE with a  $10\mu A$  current source from the charge pump. The voltage at the HGATE pin rises with a slope equal to  $10\mu A/C_{HG}$  and the supply inrush current flowing into the load capacitor,  $C_L$ , is limited to:

$$I_{INRUSH} = \frac{C_L}{C_{HG}} \cdot 10\mu A$$

The OUT voltage follows the HGATE voltage when the Hot Swap MOSFET turns on. If the voltage across the current sense resistor,  $R_S$ , becomes too high, the inrush current will be limited by the internal current limiting circuitry. Once the MOSFET gate overdrive exceeds 4.2V, the corresponding PWRGD pin pulls low to indicate that the power is good. Once OUT reaches the input supply voltage, HGATE continues to ramp up. An internal 12V clamp limits the HGATE voltage above OUT.

When both of the MOSFETs are turned on, the gate drive amplifier controls the gate of the ideal diode MOSFET, to servo its forward voltage drop across  $R_S$ ,  $M_D$  and  $M_H$  to 25mV. If the load current causes more than 25mV of drop, the MOSFET gate is driven fully on and the voltage drop across the MOSFET is equal to  $I_{LOAD} \cdot R_{DS(ON)}$ .

### Turn-Off Sequence

The external MOSFETs can be turned off by a variety of conditions. A normal turn-off for the Hot Swap MOSFET is initiated by pulling the ON pin below its 1.155V threshold (80mV ON pin hysteresis), or pulling the  $\overline{EN}$  pin above its 1.235V threshold. Additionally, an overcurrent fault of sufficient duration to trip the circuit breaker also turns off the Hot Swap MOSFET. Normally, the LTC4228 turns off the MOSFET by pulling the HGATE pin to ground with a  $300\mu A$  current sink.

All of the MOSFETs turn off when  $INTV_{CC}$  falls below its undervoltage lockout threshold (2.2V). The DGATE pin is pulled down with a  $100\mu A$  current to one diode voltage below the IN pin, while the HGATE pin is pulled down to the OUT pin by a 200mA current.

The gate drive amplifier controls the ideal diode MOSFET to prevent reverse current when the input supply falls below OUT. If the input supply collapses quickly, the gate drive amplifier turns off the ideal diode MOSFET with a fast pull-down circuit as soon as it detects that IN is 20mV

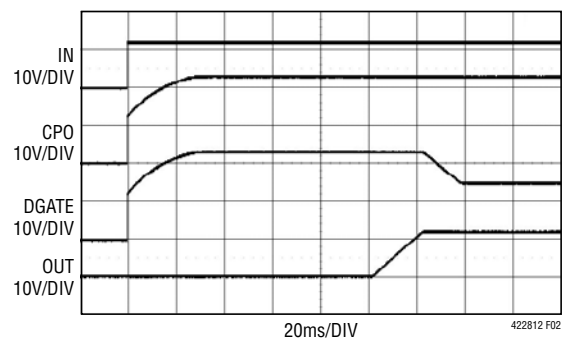


Figure 2. Ideal Diode Controller Start-Up Waveforms

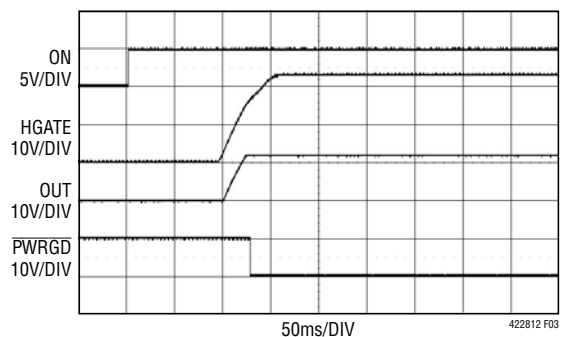


Figure 3. Hot Swap Controller Power-Up Sequence

## APPLICATIONS INFORMATION

below OUT. If the input supply falls at a more modest rate, the gate drive amplifier controls the MOSFET to maintain OUT at 25mV below IN.

### Board Presence Detect with $\overline{\text{EN}}$

If ON is high when the  $\overline{\text{EN}}$  pin goes low, indicating a board presence, the LTC4228 initiates a 100ms timing cycle for contact debounce. Upon board insertion, any bounces on the  $\overline{\text{EN}}$  pin restart the timing cycle. When the 100ms timing cycle is done, the internal fault latches are cleared. If the  $\overline{\text{EN}}$  pin remains low at the end of the timing cycle, HGATE is charged up with a 10 $\mu$ A current source to turn on the Hot Swap MOSFET.

If the  $\overline{\text{EN}}$  pin goes high, indicating a board removal, the HGATE pin is pulled low with a 300 $\mu$ A current sink after a 20 $\mu$ s delay, turning off the Hot Swap MOSFET without clearing any latched faults.

### Overcurrent Fault

The LTC4228 features an adjustable current limit with circuit breaker function that protects the external MOSFETs against short circuits or excessive load current. The voltage across the external sense resistor ( $R_{S1}$ ,  $R_{S2}$ ) is monitored by an electronic circuit breaker (ECB) and active current limit (ACL) amplifier. The electronic circuit breaker will turn off the Hot Swap MOSFET with a 300 $\mu$ A current from HGATE to GND if the voltage across the sense resistor exceeds  $\Delta V_{\text{SENSE(CB)}}$  (50mV) for longer than the fault filter delay configured at the TMR pin.

Active current limiting begins when the sense voltage exceeds the ACL threshold  $\Delta V_{\text{SENSE(ACL)}}$  (65mV), which is 1.3 $\times$  the ECB threshold  $\Delta V_{\text{SENSE(CB)}}$ . The gate of the Hot Swap MOSFET is brought under control by the ACL amplifier and the output current is regulated to maintain the ACL threshold across the sense resistor. At this point, the fault filter starts the timeout with a 100 $\mu$ A current charging the TMR pin capacitor. If the TMR pin voltage exceeds its threshold (1.235V), the external MOSFET turns off with HGATE pulled to ground by 300 $\mu$ A, and its associated FAULT pulls low.

After the Hot Swap MOSFET turns off, the TMR pin capacitor is discharged with a 2 $\mu$ A pull-down current until its threshold reaches 0.2V. This is followed by a cool-off

period of 14 timing cycles at the TMR pin. For the latch-off part (LTC4228-1), the HGATE pin voltage does not restart at the end of the cool-off period, unless the latched fault is cleared by pulling the ON pin low or toggling the  $\overline{\text{EN}}$  pin from high to low. For the auto-retry part (LTC4228-2), the latched fault is cleared automatically at the end of the cool-off period, and the HGATE pin restarts charging up to turn on the MOSFET. Figure 4 shows an overcurrent fault on the 12V output.

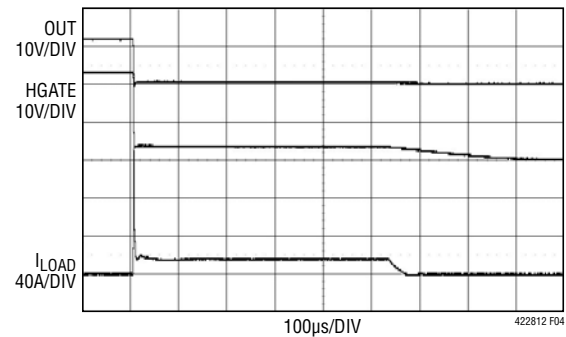


Figure 4. Overcurrent Fault on 12V Output

In the event of a severe short-circuit fault on the 12V output as shown in Figure 5, the output current can surge to tens of amperes. The LTC4228 responds within 1 $\mu$ s to bring the current under control by pulling the HGATE to OUT voltage down to zero volts. Almost immediately, the gate of the Hot Swap MOSFET recovers rapidly due to the  $R_{\text{HG}}$  and  $C_{\text{HG}}$  network, and current is actively limited until the electronic circuit breaker times out. Due to parasitic supply lead inductance, an input supply without any bypass capacitor may collapse during the high current surge and then spike upwards when the current is interrupted. Figure 11 shows the input supply transient suppressors consisting of Z1,  $R_{\text{SNUB1}}$ ,  $C_{\text{SNUB1}}$  and Z2,  $R_{\text{SNUB2}}$ ,  $C_{\text{SNUB2}}$  for the two supplies if there is no input capacitance.

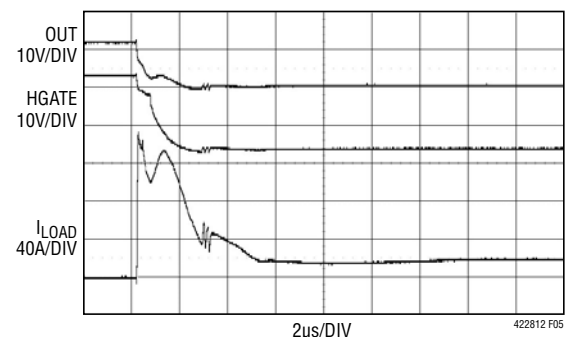


Figure 5. Severe Short-Circuit on 12V Output

422812f



## APPLICATIONS INFORMATION

### Active Current Loop Stability

The active current loop on the HGATE pin is compensated by the parasitic gate capacitance of the external N-channel MOSFET. No further compensation components are normally required. In the case when a MOSFET with  $C_{ISS} \leq 2\text{nF}$  is chosen, an  $R_{HG}$  and  $C_{HG}$  compensation network connected at the HGATE pin may be required. The value of  $C_{HG}$  is selected based on the inrush current allowed for the output load capacitance. The resistor,  $R_{HG}$ , connected in series with  $C_{HG}$  accelerates the MOSFET gate recovery for active current limiting after a fast gate pull-down due to an output short. The value of  $C_{HG}$  should be  $\leq 100\text{nF}$  and  $R_{HG}$  should be between  $10\Omega$  and  $100\Omega$  for optimum performance.

### TMR Pin Functions

An external capacitor,  $C_T$ , connected from the TMR pin to GND serves as fault filtering when the supply output is in active current limit. When the voltage across the sense resistor exceeds the circuit breaker trip threshold ( $50\text{mV}$ ), TMR pulls up with  $100\mu\text{A}$ . Otherwise, it pulls down with  $2\mu\text{A}$ . The fault filter times out when the  $1.235\text{V}$  TMR threshold is exceeded, causing the corresponding  $\overline{\text{FAULT}}$  pin to pull low. The fault filter delay or circuit breaker time delay is:

$$t_{CB} = C_T \cdot 12[\text{ms}/\mu\text{F}]$$

After the circuit breaker timeout, the TMR pin capacitor pulls down with  $2\mu\text{A}$  from the  $1.235\text{V}$  TMR threshold until it reaches  $0.2\text{V}$ . Then, it completes 14 cooling cycles consisting of the TMR pin capacitor charging to  $1.235\text{V}$  with a  $100\mu\text{A}$  current and discharging to  $0.2\text{V}$  with a  $2\mu\text{A}$  current. At that point, the HGATE pin voltage is allowed to start up if the fault has been cleared as described in the Resetting Faults section. When the latched fault is cleared during the cool-off period, the corresponding  $\overline{\text{FAULT}}$  pin pulls high. The total cool-off time for the MOSFET after an overcurrent fault is:

$$t_{COOL} = C_T \cdot 11[\text{s}/\mu\text{F}]$$

If the latched fault is not cleared after the cool-off period, the cooling cycles continue until the fault is cleared.

After the cool-off period, the HGATE pin is only allowed to pull up if the fault has been cleared for the latch-off part

(LTC4228-1). For the auto-retry part (LTC4228-2), the latched fault is cleared automatically following the cool-off period and the HGATE pin voltage is allowed to restart.

### Resetting Faults (LTC4228-1)

For the latch-off part (LTC4228-1), an overcurrent fault is latched after tripping the circuit breaker, and the corresponding  $\overline{\text{FAULT}}$  pin is asserted low. If the LTC4228 controls the MOSFETs on two supplies, only the Hot Swap MOSFET on the supply at fault is turned off and the other is not affected.

To reset a latched fault and restart the output, pull the corresponding ON pin below  $0.6\text{V}$  for more than  $100\mu\text{s}$  and then high above  $1.235\text{V}$ . The fault latches reset and the  $\overline{\text{FAULT}}$  pin deasserts on the falling edge of the ON pin. When ON goes high again, a  $100\text{ms}$  debounce cycle is initiated before the HGATE pin voltage restarts. Toggling the  $\overline{\text{EN}}$  pin high and then low again also resets a fault, but the  $\overline{\text{FAULT}}$  pin pulls high at the end of the  $100\text{ms}$  debounce cycle before the HGATE pin voltage starts up. Bringing all the supplies below the  $\text{INTV}_{CC}$  undervoltage lockout threshold ( $2.2\text{V}$ ) shuts off all the MOSFETs and resets all the fault latches. A  $100\text{ms}$  debounce cycle is initiated before a normal start-up when any of the supplies is restored above the  $\text{INTV}_{CC}$  UVLO threshold.

### Auto-Retry After a Fault (LTC4228-2)

For the auto-retry part (LTC4228-2), the latched fault is reset automatically after a cool-off timing cycle as described in the TMR Pin Functions section. At the end of the cool-off period, the fault latch is cleared and  $\overline{\text{FAULT}}$  pulls high. The HGATE pin voltage is allowed to start up and turn on the Hot Swap MOSFET. If the output short persists, the supply powers up into a short with active current limiting until the circuit breaker times out and  $\overline{\text{FAULT}}$  again pulls low. A new cool-off cycle begins with TMR ramping down with a  $2\mu\text{A}$  current. The whole process repeats itself until the output short is removed. Since  $t_{CB}$  and  $t_{COOL}$  are a function of TMR capacitance,  $C_T$ , the auto-retry duty cycle is equal to  $0.1\%$ , irrespective of  $C_T$ .

Figure 6 shows an auto-retry sequence after an overcurrent fault.

## APPLICATIONS INFORMATION

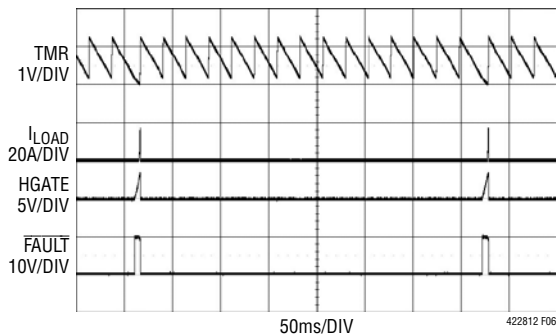


Figure 6. Auto-Retry Sequence After a Fault

### Supply Undervoltage Monitor

The ON pin functions as a turn-on control and an input supply monitor. A resistive divider connected between the input supply (IN1 or SENSE1<sup>+</sup>, IN2 or SENSE2<sup>+</sup>) and GND at the respective ON pin monitors the supply undervoltage condition. The undervoltage threshold is set by proper selection of the resistors and is given by:

$$V_{IN(UVTH)} = \left( 1 + \frac{R_{TOP}}{R_{BOTTOM}} \right) \cdot V_{ON(TH)}$$

where  $V_{ON(TH)}$  is the ON rising threshold (1.235V).

An undervoltage fault occurs if the input supply falls below its undervoltage threshold for longer than 20 $\mu$ s. The  $\overline{FAULT}$  pin will not be pulled low. If the ON pin voltage falls below 1.155V but remains above 0.6V, the Hot Swap MOSFET is turned off by a 300 $\mu$ A pull-down from HGATE to ground. The Hot Swap MOSFET turns back on instantly without the 100ms debounce cycle when the input supply rises above its undervoltage threshold.

However, if the ON pin voltage drops below 0.6V, it turns off the Hot Swap MOSFET and clears the associated fault latches. The Hot Swap MOSFET turns back on only after a 100ms debounce cycle when the input supply is restored above its undervoltage threshold. An undervoltage fault on one supply does not affect the operation of the other supply. The ideal diode function controlled by the ideal diode MOSFET is unaffected by undervoltage fault conditions.

If both IN supplies fall until the internally generated supply,  $INTV_{CC}$ , drops below its 2.2V UVLO threshold, all the MOSFETs are turned off and the fault latches are cleared. Operation resumes from a fresh start-up cycle when the

input supplies are restored and  $INTV_{CC}$  exceeds its UVLO threshold.

There is a 10 $\mu$ s glitch filter on the ON pin to reject supply glitches. By placing a filter capacitor,  $C_F$ , with the resistive divider at the ON pin, the glitch filter delay is further extended by the RC time constant to prevent any false fault.

### Power Good Monitor

Internal circuitry monitors the MOSFET gate overdrive between the HGATE and OUT pins. The power good status for each supply is reported via its respective open-drain output,  $\overline{PWRGD1}$  or  $\overline{PWRGD2}$ . They are normally pulled high by an external pull-up resistor or the internal 10 $\mu$ A pull-up. The power good output asserts low when the gate overdrive exceeds 4.2V during the HGATE start-up. Once asserted low, the power good status is latched and can only be cleared by pulling the ON pin low, toggling the  $\overline{EN}$  pin from low to high, or  $INTV_{CC}$  entering undervoltage lockout. The power good output continues to pull low while HGATE is regulating in active current limit, but pulls high when the circuit breaker times out and pulls the HGATE pin low.

### CPO and DGATE Start-Up

The CPO and DGATE pin voltages are initially pulled up to a diode below the IN pin when first powered up. CPO starts ramping up 7 $\mu$ s after  $INTV_{CC}$  clears its undervoltage lockout level. Another 40 $\mu$ s later, DGATE also starts ramping up with CPO. The CPO ramp rate is determined by the CPO pull-up current into the combined CPO and DGATE pin capacitances. An internal clamp limits the CPO pin voltage to 12V above the IN pin, while the final DGATE pin voltage is determined by the gate drive amplifier. An internal 12V clamp limits the DGATE pin voltage above IN.

### MOSFET Selection

The LTC4228 drives N-channel MOSFETs to conduct the load current. The important features of the MOSFETs are on-resistance,  $R_{DS(ON)}$ , the maximum drain-source voltage,  $BV_{DSS}$ , and the threshold voltage.

The gate drive for the ideal diode MOSFET and Hot Swap MOSFET is guaranteed to be greater than 5V and 4.8V respectively when the supply voltages at IN1 and IN2 are between 2.9V and 7V. When the supply voltages at IN1 and

422812f

## APPLICATIONS INFORMATION

IN2 are greater than 7V, the gate drive is guaranteed to be greater than 10V. The gate drive is limited to not more than 14V. This allows the use of logic-level threshold N-channel MOSFETs and standard N-channel MOSFETs above 7V. An external Zener diode can be used to clamp the potential from the MOSFET's gate to source if the rated breakdown voltage is less than 14V.

The maximum allowable drain-source voltage,  $BV_{DSS}$ , must be higher than the supply voltages as the full supply voltage can appear across the MOSFET. If an input or output is connected to ground, the full supply voltage will appear across the MOSFET. The  $R_{DS(ON)}$  should be small enough to conduct the maximum load current, and also stay within the MOSFET's power rating.

### CPO Capacitor Selection

The recommended value of the capacitor,  $C_{CP}$ , between the CPO and IN pins is approximately  $10\times$  the input capacitance,  $C_{ISS}$ , of the ideal diode MOSFET. A larger capacitor takes a correspondingly longer time to charge up by the internal charge pump. A smaller capacitor suffers more voltage drop during a fast gate turn-on event as it shares charge with the MOSFET gate capacitance.

### Supply Transient Protection

When the capacitances at the input and output are very small, rapid changes in current during input or output short-circuit events can cause transients that exceed the 24V absolute maximum ratings of the IN and OUT pins. To minimize such spikes, use wider traces or heavier trace plating to reduce the power trace inductance. Also, bypass locally with a  $10\mu\text{F}$  electrolytic and  $0.1\mu\text{F}$  ceramic, or alternatively clamp the input with a transient voltage suppressor (Z1, Z2). A  $10\Omega$ ,  $0.1\mu\text{F}$  snubber damps the response and eliminates ringing (See Figure 11).

### Design Example

As a design example for selecting components, consider a 12V system with a 7.6A maximum load current for the two supplies (see Figure 1).

First, select the appropriate value of the current sense resistors ( $R_{S1}$  and  $R_{S2}$ ) for the 12V supply. Calculate the sense resistor value based on the maximum load

current  $I_{LOAD(MAX)}$ , the minimum circuit breaker trip current  $I_{TRIP(MIN)}$  and the lower limit for the circuit breaker threshold  $\Delta V_{SENSE(CB)(MIN)}$ . A load current margin given as a ratio of  $I_{TRIP(MIN)}/I_{LOAD(MAX)}$  is provided for allowing backfeeding current to flow through the sense resistor momentarily, without false tripping the circuit breaker on the higher supply before the reverse turn-off is activated on the lower supply. Assuming a load current margin of  $1.5\times$ ,

$$I_{TRIP(MIN)} = 1.5 \cdot I_{LOAD(MAX)} = 1.5 \cdot 7.6\text{A} = 11.4\text{A}$$

$$R_S = \frac{\Delta V_{SENSE(CB)(MIN)}}{I_{TRIP(MIN)}} = \frac{47.5\text{mV}}{11.4\text{A}} = 4.16\text{m}\Omega$$

Choose a  $4\text{m}\Omega$  sense resistor with a 1% tolerance.

Next, calculate the  $R_{DS(ON)}$  of the MOSFET to achieve the desired forward drop at maximum load. Assuming a forward drop,  $\Delta V_{FWD}$  of 60mV across the two external MOSFETs:

$$R_{DS(ON,TOTAL)} \leq \frac{\Delta V_{FWD}}{I_{LOAD(MAX)}} = \frac{60\text{mV}}{7.6\text{A}} = 7.9\text{m}\Omega$$

The Si7336ADP offers a good choice with a maximum  $R_{DS(ON)}$  of  $3\text{m}\Omega$  at  $V_{GS} = 10\text{V}$ , thereby giving a total of  $6\text{m}\Omega$  for two MOSFETs in the supply path. The input capacitance,  $C_{ISS}$ , of the Si7336ADP is about  $5600\text{pF}$ . Slightly exceeding the  $10\times$  recommendation, a  $0.1\mu\text{F}$  capacitor is selected for  $C_{CP1}$  and  $C_{CP2}$  at the CPO pins.

Next, verify that the thermal ratings of the selected MOSFET, Si7336ADP, are not exceeded during power-up or an output short.

Assuming the MOSFET dissipates power due to inrush current charging the load capacitor,  $C_L$ , at power-up, the energy dissipated in the MOSFET is the same as the energy stored in the load capacitor, and is given by:

$$E_{CL} = \frac{1}{2} \cdot C_L \cdot V_{IN}^2$$

For  $C_L = 1600\mu\text{F}$ , the time it takes to charge up  $C_L$  is calculated as:

$$t_{CHARGE} = \frac{C_L \cdot V_{IN}}{I_{INRUSH}} = \frac{1600\mu\text{F} \cdot 12\text{V}}{1\text{A}} = 19\text{ms}$$



## APPLICATIONS INFORMATION

The inrush current is set to 1A by adding capacitance,  $C_{HG}$ , at the gate of the Hot Swap MOSFET.

$$C_{HG} = \frac{C_L \cdot I_{HGATE(UP)}}{I_{INRUSH}} = \frac{1600\mu\text{F} \cdot 10\mu\text{A}}{1\text{A}} = 16\text{nF}$$

Choose a practical value of 15nF for  $C_{HG}$ .

The average power dissipated in the MOSFET is calculated as:

$$P_{AVG} = \frac{E_{CL}}{t_{CHARGE}} = \frac{1}{2} \cdot \frac{1600\mu\text{F} \cdot (12\text{V})^2}{19\text{ms}} = 6\text{W}$$

The MOSFET selected must be able to tolerate 6W for 19ms during power-up. The SOA curves of the Si7336ADP provide for 1.5A at 30V (45W) for 100ms. This is sufficient to satisfy the requirement. The increase in junction temperature due to the power dissipated in the MOSFET is  $\Delta T = P_{AVG} \cdot Z_{thJC}$  where  $Z_{thJC}$  is the junction-to-case thermal impedance. Under this condition, the Si7336ADP data sheet indicates that the junction temperature will increase by 4.8°C using  $Z_{thJC} = 0.8^\circ\text{C/W}$  (single pulse).

The duration and magnitude of the power pulse during an output short is a function of the TMR capacitance,  $C_T$ , and the LTC4228's active current limit. The short-circuit duration is given as  $C_T \cdot 12[\text{ms}/\mu\text{F}] = 0.56\text{ms}$  for  $C_T = 0.047\mu\text{F}$ . The maximum short-circuit current is calculated using the maximum active current limit threshold  $\Delta V_{SENSE(ACL)(MAX)}$  and minimum  $R_S$  value.

$$I_{SHORT(MAX)} = \frac{\Delta V_{SENSE(ACL)(MAX)}}{R_{S(MIN)}} = \frac{75\text{mV}}{3.96\text{m}\Omega} = 18.9\text{A}$$

So, the maximum power dissipated in the MOSFET is  $18.9\text{A} \cdot 12\text{V} = 227\text{W}$  for 0.56ms. The Si7336ADP data sheet indicates that the worst-case increase in junction temperature during this short-circuit condition is 22.7°C using  $Z_{thJC} = 0.1^\circ\text{C/W}$  (single pulse). Choosing  $C_T = 0.047\mu\text{F}$  will not cause the maximum junction temperature of the MOSFET to be exceeded. The SOA curves of the Si7336ADP provide for 15A at 30V (450W) for 1ms. This also satisfies the requirement.

Next, select the resistive divider at the ON1 and ON2 pins to provide an undervoltage threshold of 9.6V for the 12V supply. First, choose the bottom resistors, R1 and R3, to be 20k. Then, calculate the top resistor value for R2 and R4:

$$R_{TOP} = \left( \frac{V_{IN(UVTH)}}{V_{ON(TH)}} - 1 \right) \cdot R_{BOTTOM}$$

$$R_{TOP} = \left( \frac{9.6\text{V}}{1.235\text{V}} - 1 \right) \cdot 20\text{k} = 135\text{k}$$

Choose the nearest 1% resistor value of 137k for R2 and R4. In addition, there is a 0.1μF bypass (C1) at the INTV<sub>CC</sub> pin and a 10nF filter capacitor (C<sub>F</sub>) at the ON pin to prevent the supply glitches from turning off the Hot Swap MOSFET.

### PCB Layout Considerations

For proper operation of the LTC4228's circuit breaker, Kelvin connection to the sense resistor is strongly recommended. The PCB layout should be balanced and symmetrical to minimize wiring errors. In addition, the PCB layout for the sense resistor and the power MOSFET should include good thermal management techniques for optimal device power dissipation. A recommended PCB layout is illustrated in Figure 7.

Connect the IN and OUT pin traces as close as possible to the MOSFETs' terminals. Keep the traces to the MOSFETs wide and short to minimize resistive losses. The PCB traces associated with the power path through the MOSFETs should have low resistance. The suggested trace width for 1oz copper foil is 0.03" for each ampere of DC current to keep PCB trace resistance, voltage drop and temperature rise to a minimum. Note that the sheet resistance of 1oz copper foil is approximately 0.5mΩ/square, and voltage drops due to trace resistance add up quickly in high current applications.

It is also important to place the bypass capacitor, C1, for the INTV<sub>CC</sub> pin, as close as possible between INTV<sub>CC</sub> and GND. Also place C<sub>CP1</sub> near the CPO1 and IN1 pins, and C<sub>CP2</sub> near the CPO2 and IN2 pins. The transient voltage suppressors, Z1 and Z2, when used, should be mounted close to the LTC4228 using short lead lengths.

# APPLICATIONS INFORMATION

## μTCA Application

In the μTCA application shown in Figure 1, the output load capacitor is required to hold up the supply to the downstream load for a short duration when all of the input supplies are not available. This happens when the IN supply collapses to ground momentarily while the other redundant supply to the diode-ORed output is not turned on. As soon as the reverse voltage between IN and OUT pins is detected, DGATE is pulled down quickly to turn off the ideal diode MOSFET. By placing the sense resistor in between the ideal diode and Hot Swap MOSFET, it allows the SENSE<sup>+</sup> pin voltage to be held up by the output load capacitance temporarily when the input supply collapses. This prevents the SENSE<sup>+</sup> voltage from entering into undervoltage lockout and turning off the Hot Swap MOSFET. As the IN supply recovers, it charges up the depleted load

capacitance and provides power to the downstream load instantly if the Hot Swap MOSFET is not turned off.

## Power Prioritizer

Figure 8 shows an application where either of two supplies is passed to the output on the basis of priority, rather than simply allowing the highest voltage to prevail. The 5V primary supply (INPUT 1) is passed to the output whenever it is available; power is drawn from the 12V backup supply (INPUT 2) only when the primary supply is unavailable. As long as INPUT 1 is above the 4.3V UV threshold set by the R1-R2 divider at the ON1 pin, M<sub>H1</sub> is turned on connecting INPUT 1 to the output. When M<sub>H1</sub> is on, PWRGD1 goes low, which in turn pulls ON2 low and disables the IN2 path by turning M<sub>H2</sub> off. If the primary supply fails and INPUT 1 drops below 4.3V, ON1 turns off M<sub>H1</sub> and PWRGD1

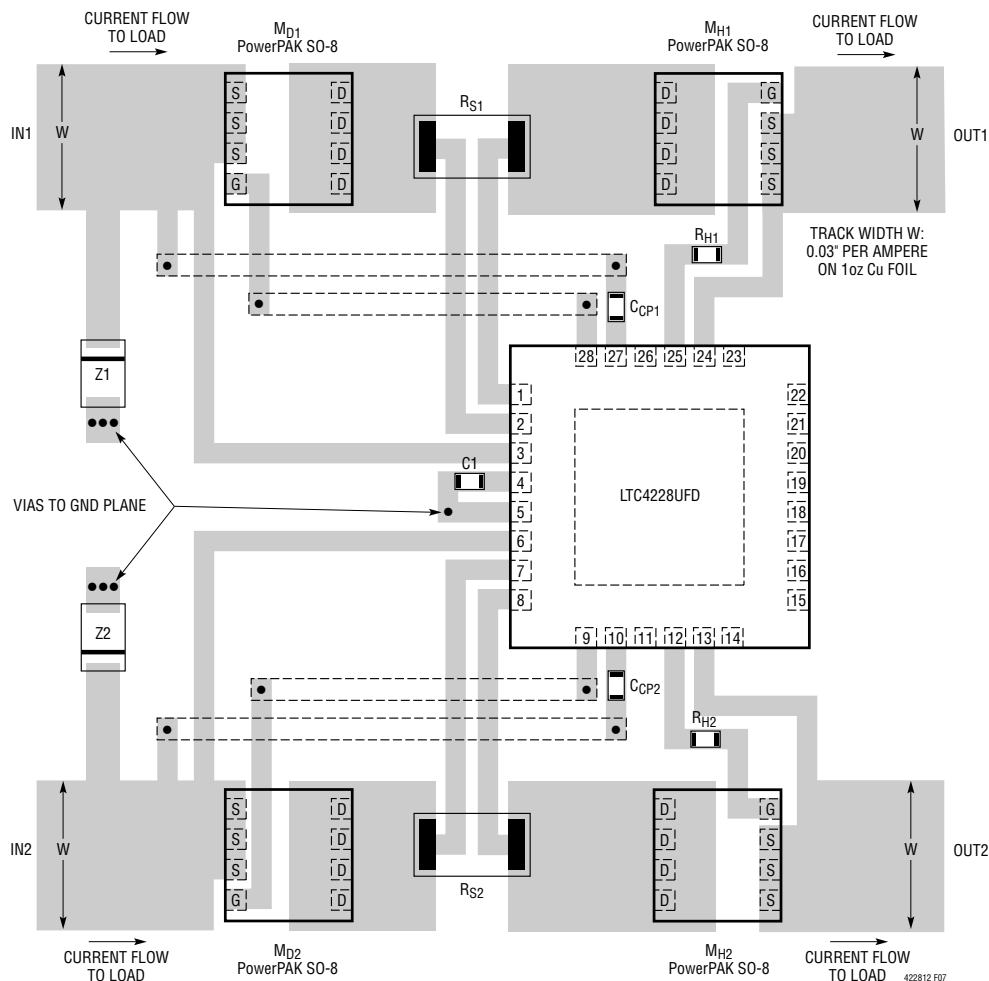


Figure 7. Recommended PCB Layout for Power MOSFETs and Sense Resistors

422812f

## APPLICATIONS INFORMATION

goes high, allowing ON2 to turn on  $M_{H2}$  and connect the INPUT 2 to the output. Diode D1 ensures that ON2 remains above 0.6V while in the off state so that when ON2 goes high,  $M_{H2}$  is turned on immediately without invoking the 100ms turn-on delay. When INPUT 1 returns to a viable voltage,  $M_{H1}$  turns on and  $M_{H2}$  turns off. The ideal diode MOSFETs  $M_{D1}$  and  $M_{D2}$  prevent backfeeding of one input to the other under any condition.

### Additional Applications

In most applications, the two external MOSFETs are configured with the MOSFET on the supply side as the ideal diode and the MOSFET on the load side as the Hot Swap control. But for some applications, the arrangement of the MOSFETs for the ideal diode and the Hot Swap control may be reversed as shown in Figure 9. The Hot Swap MOSFET

is placed on the supply side and the ideal diode MOSFET on the load side with the source terminals connected together. If this configuration is operated with 12V supplies, the gate-to-source breakdown voltage of the MOSFETs can be exceeded when the input or output is connected to ground as the LTC4228's internal 12V clamps only limit the DGATE-to-IN and HGATE-to-OUT pin voltages. Choose a MOSFET whose gate-to-source breakdown voltage is rated for 25V or more as 24V voltage can appear across the GATE and SOURCE pins of the MOSFET during an input or output short. As shown in Figure 9, if a MOSFET with a lower rated gate-to-source breakdown voltage is chosen, an external Zener diode clamp is required between the GATE and SOURCE pins of the MOSFET to prevent it from breaking down.

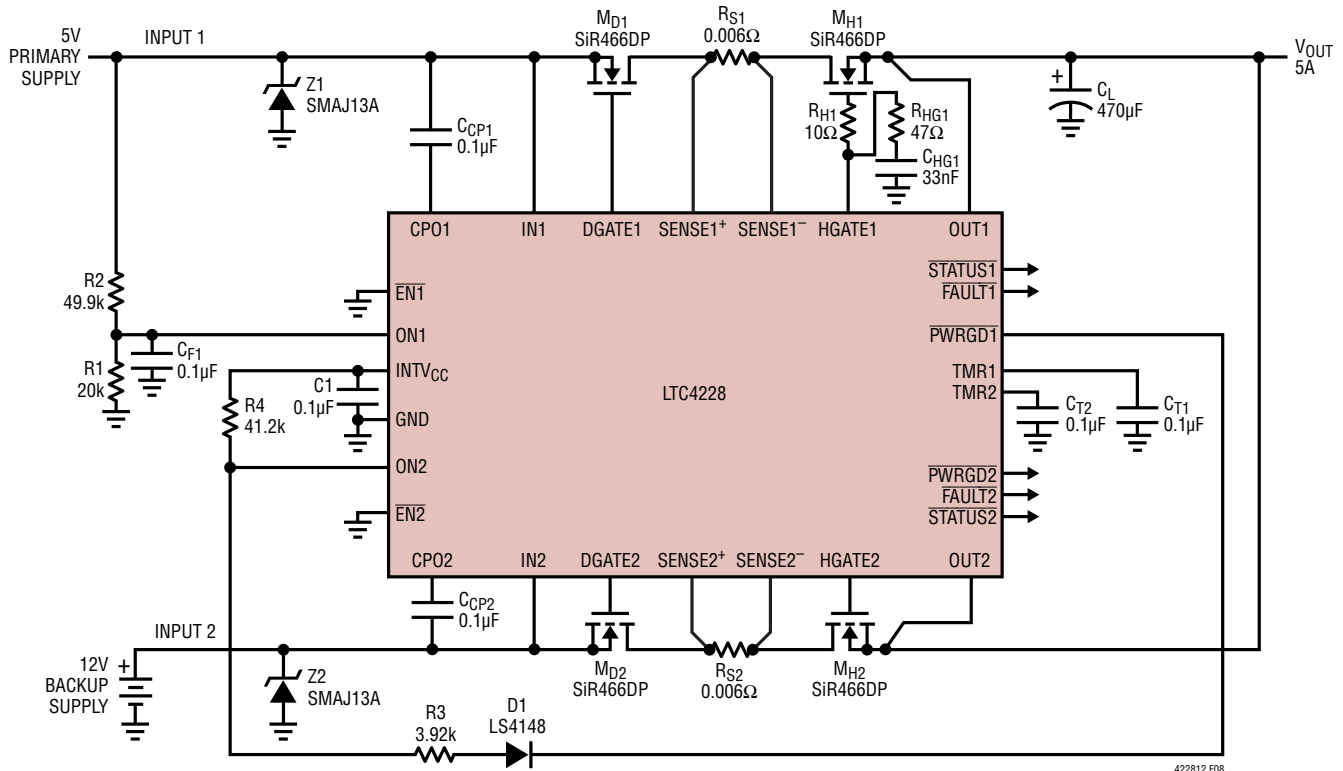


Figure 8. 2-Channel Power Prioritizer

APPLICATIONS INFORMATION

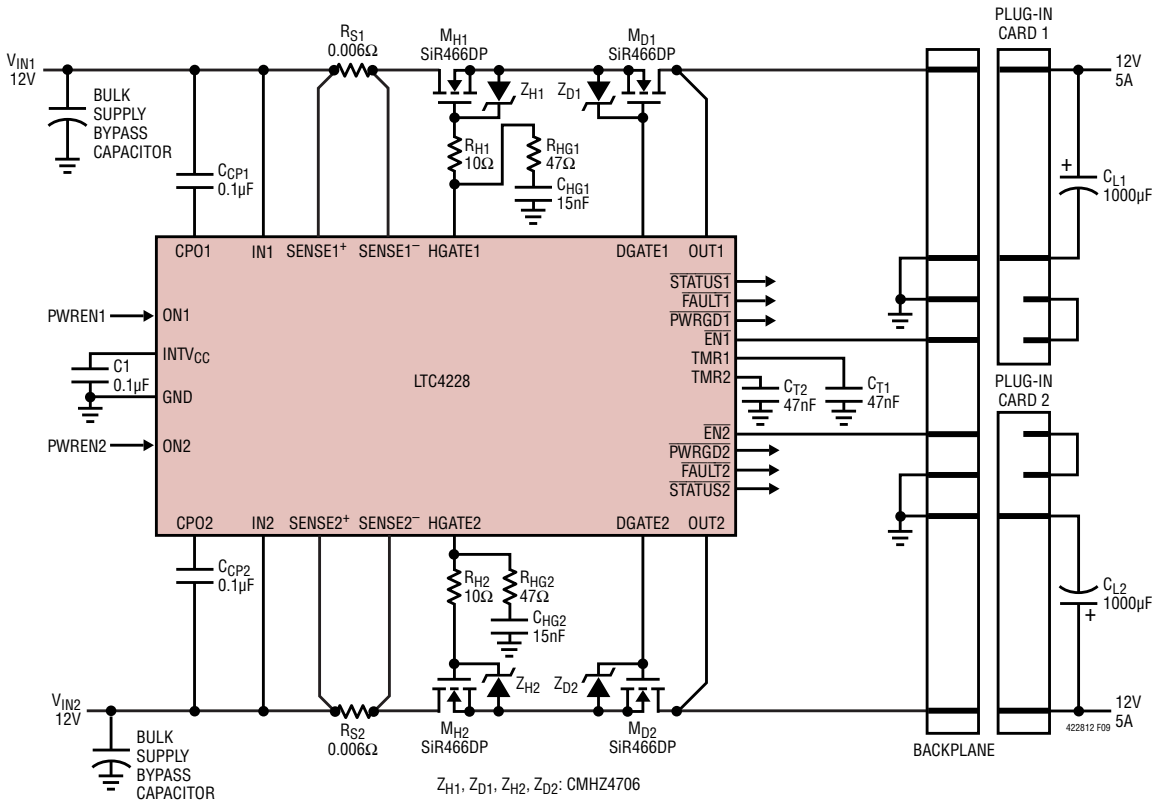


Figure 9. An Application with the Hot Swap MOSFET on the Supply Side and the Ideal Diode MOSFET on the Load Side

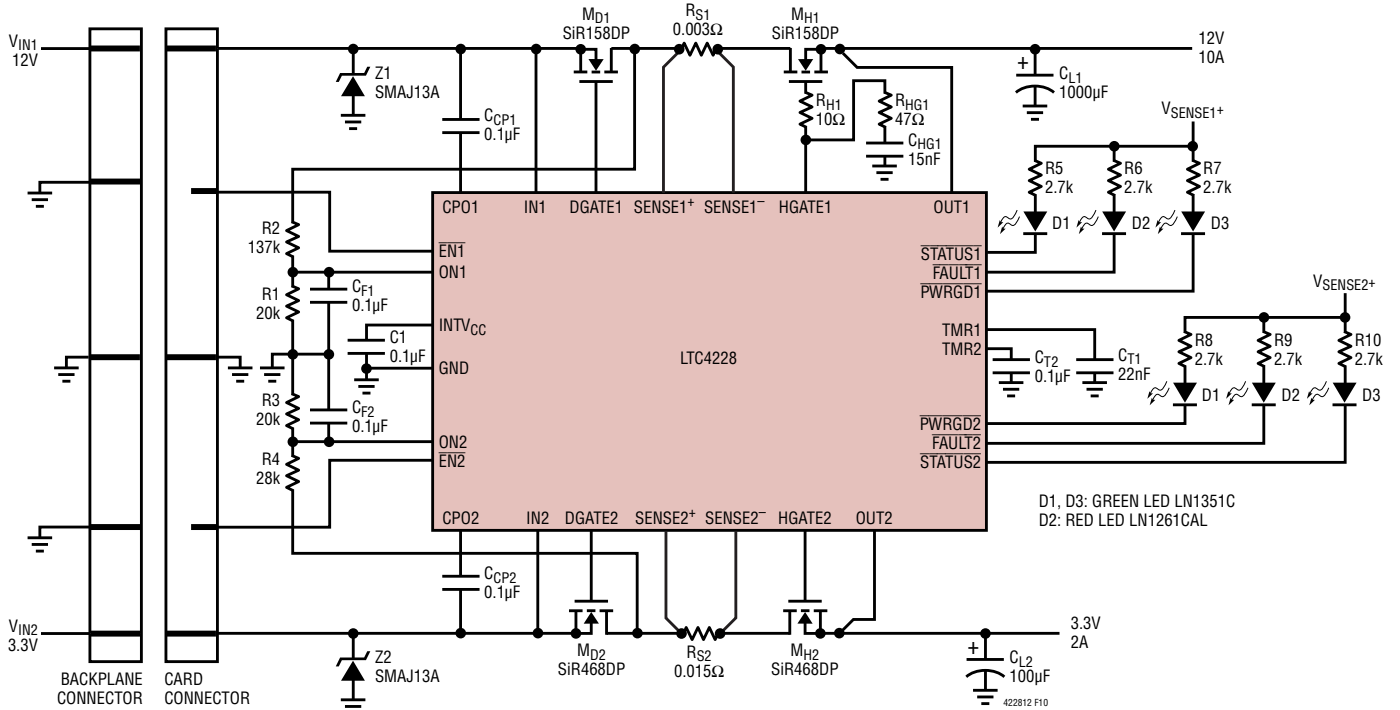


Figure 10. Plug-In Card Supply Holdup Using Ideal Diode at 12V and 3.3V Input Supplies

## APPLICATIONS INFORMATION

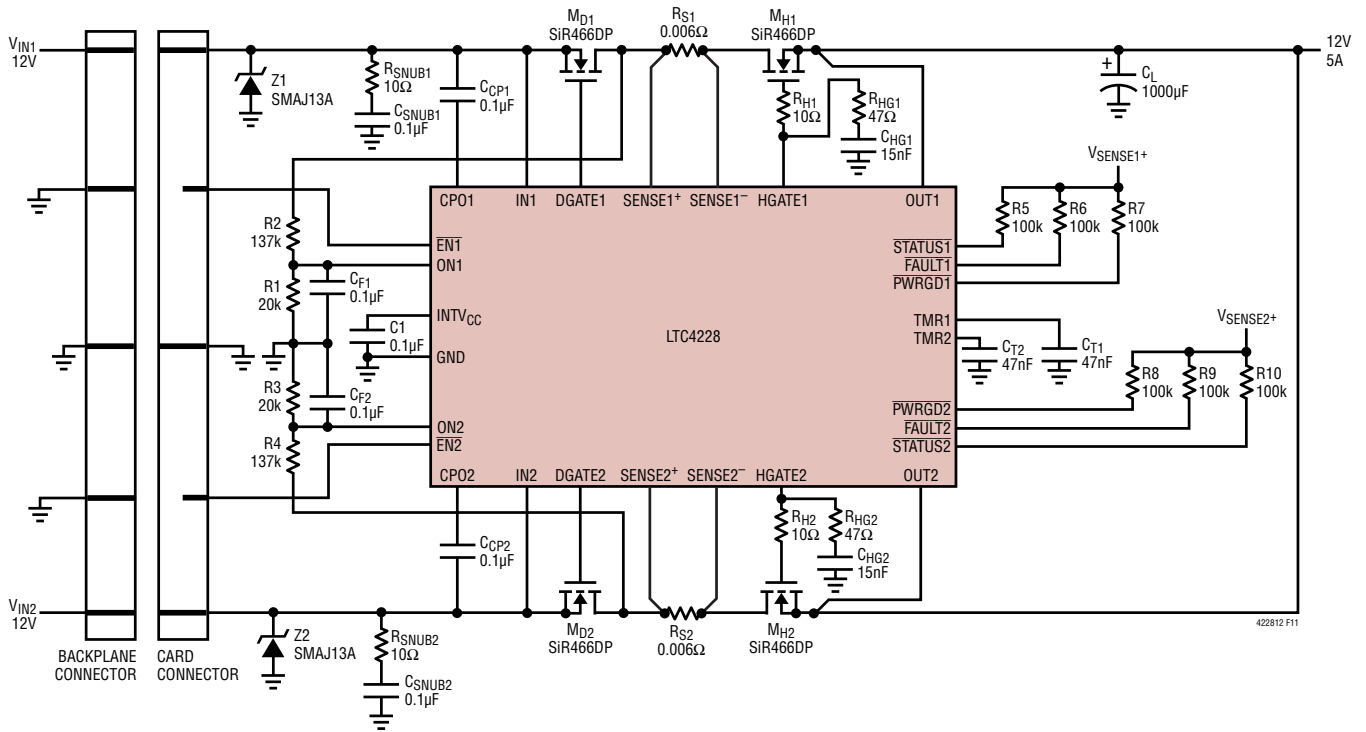


Figure 11. Card Resident Application with the Output Diode-ORed

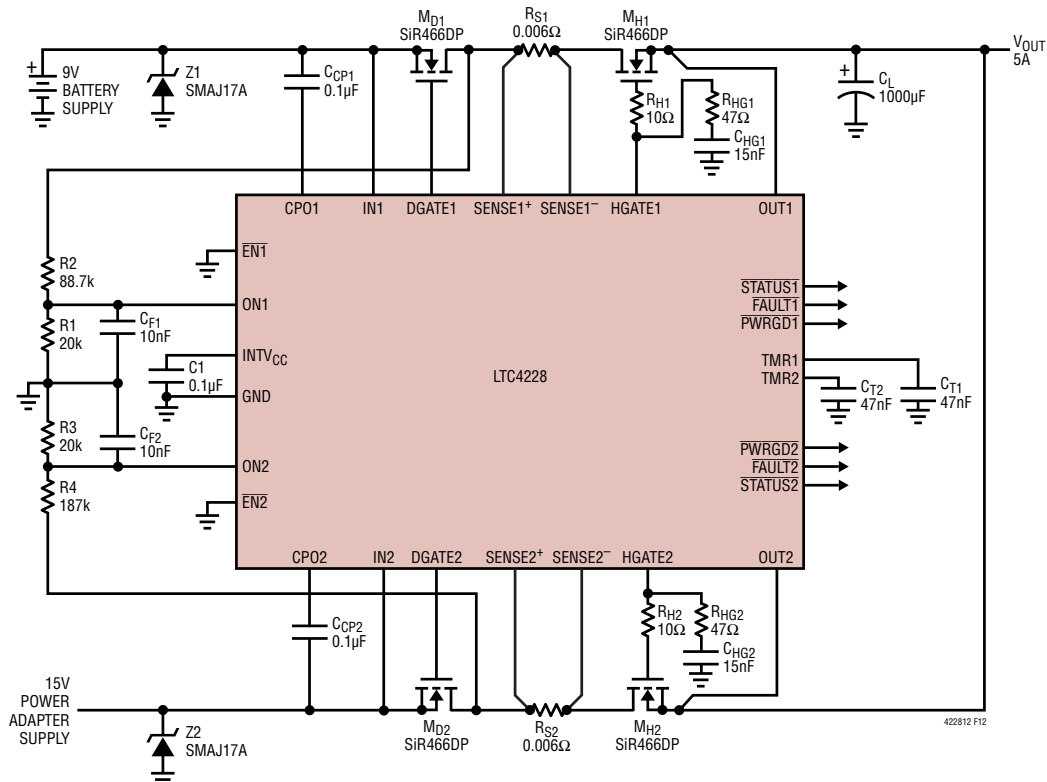


Figure 12. Battery Application with the Output Diode-ORed

# APPLICATIONS INFORMATION

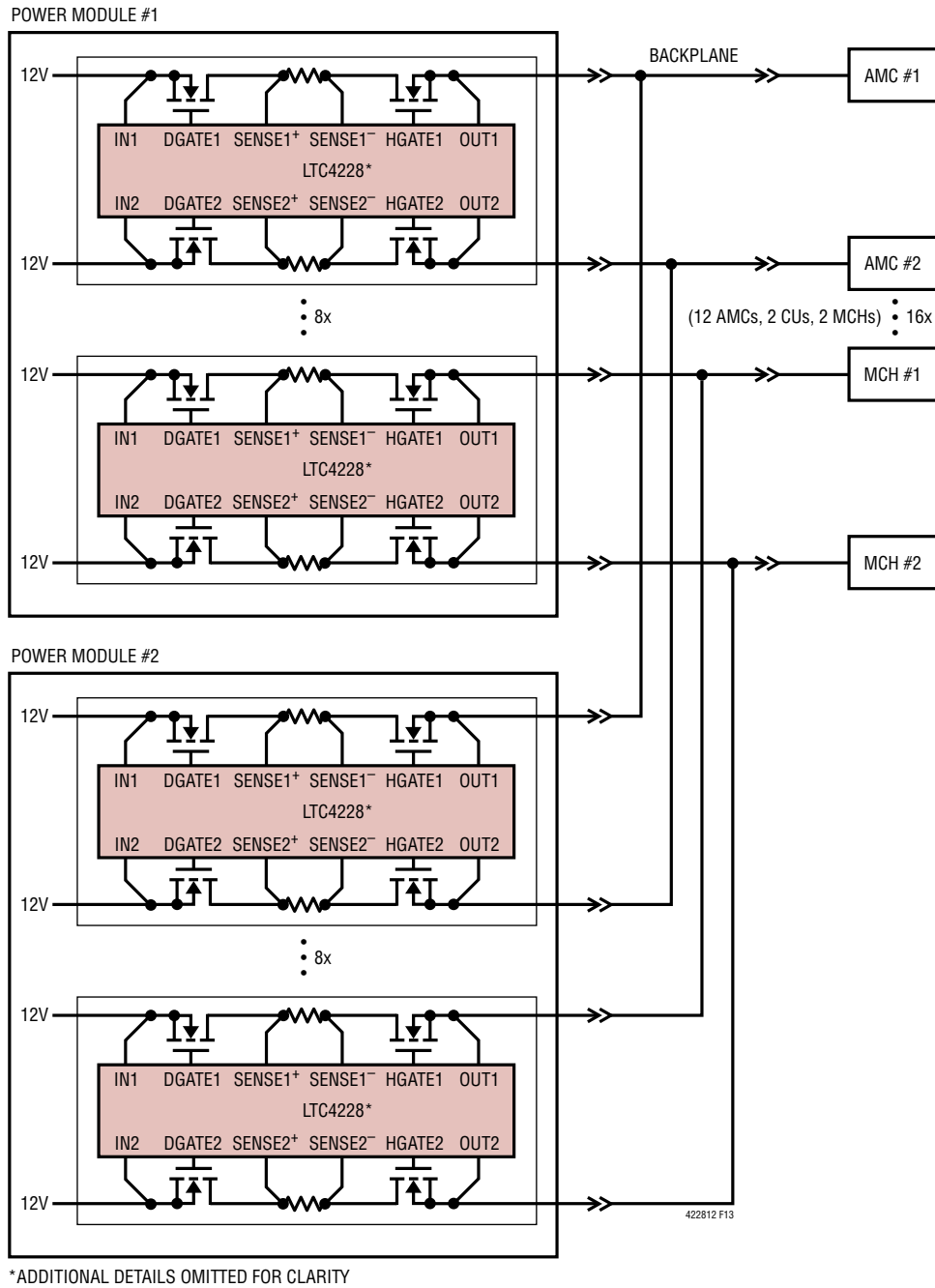


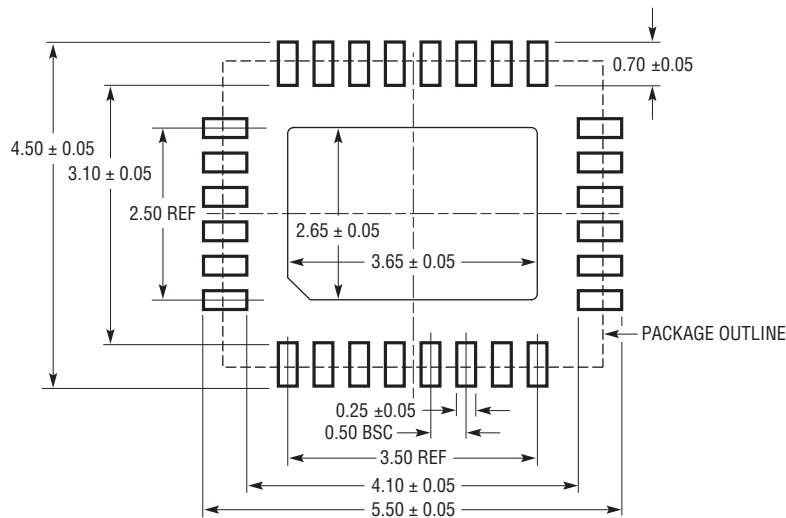
Figure 13. 12V Distribution in  $\mu$ TCA Redundant Power Subsystem

# LTC4228-1/LTC4228-2

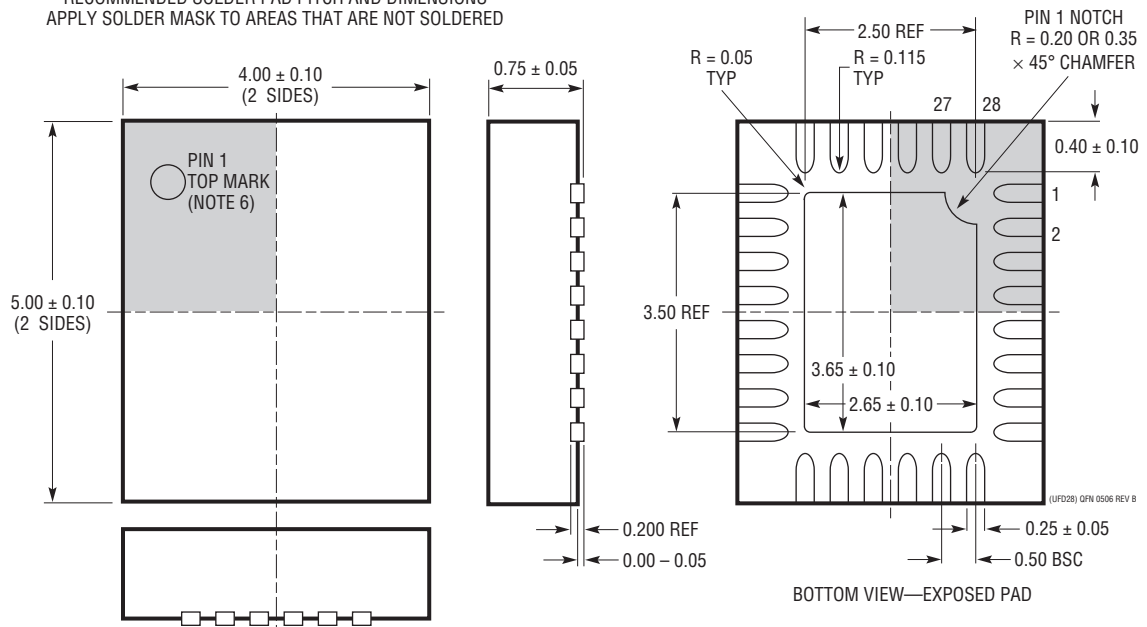
## PACKAGE DESCRIPTION

Please refer to <http://www.linear.com/designtools/packaging/> for the most recent package drawings.

**UFD Package**  
**28-Lead Plastic QFN (4mm × 5mm)**  
 (Reference LTC DWG # 05-08-1712 Rev B)



RECOMMENDED SOLDER PAD PITCH AND DIMENSIONS  
 APPLY SOLDER MASK TO AREAS THAT ARE NOT SOLDERED



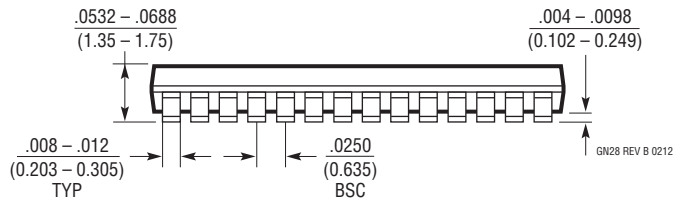
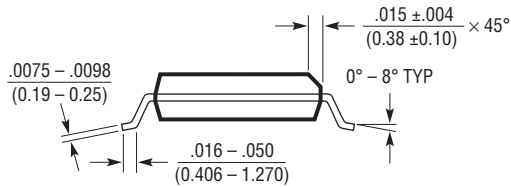
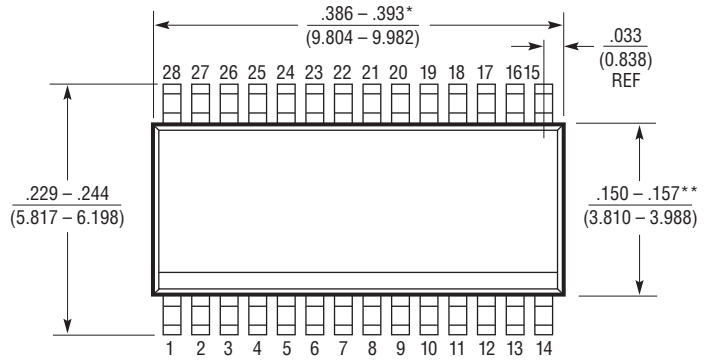
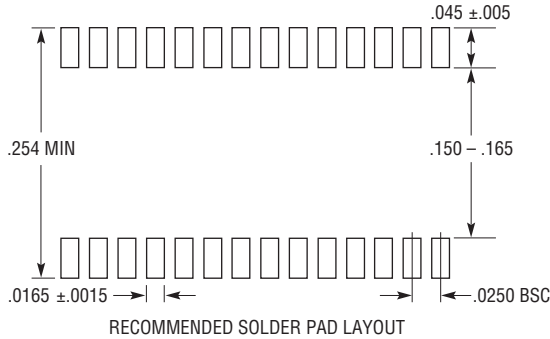
- NOTE:
1. DRAWING PROPOSED TO BE MADE A JEDEC PACKAGE OUTLINE MO-220 VARIATION (WXXX-X).
  2. DRAWING NOT TO SCALE
  3. ALL DIMENSIONS ARE IN MILLIMETERS
  4. DIMENSIONS OF EXPOSED PAD ON BOTTOM OF PACKAGE DO NOT INCLUDE MOLD FLASH. MOLD FLASH, IF PRESENT, SHALL NOT EXCEED 0.15mm ON ANY SIDE
  5. EXPOSED PAD SHALL BE SOLDER PLATED
  6. SHADED AREA IS ONLY A REFERENCE FOR PIN 1 LOCATION ON THE TOP AND BOTTOM OF PACKAGE



# PACKAGE DESCRIPTION

Please refer to <http://www.linear.com/designtools/packaging/> for the most recent package drawings.

## GN Package 28-Lead Plastic SSOP (Narrow .150 Inch) (Reference LTC DWG # 05-08-1641 Rev B)



- NOTE:
1. CONTROLLING DIMENSION: INCHES
  2. DIMENSIONS ARE IN  $\frac{\text{INCHES}}{\text{MILLIMETERS}}$
  3. DRAWING NOT TO SCALE
  4. PIN 1 CAN BE BEVEL EDGE OR A DIMPLE

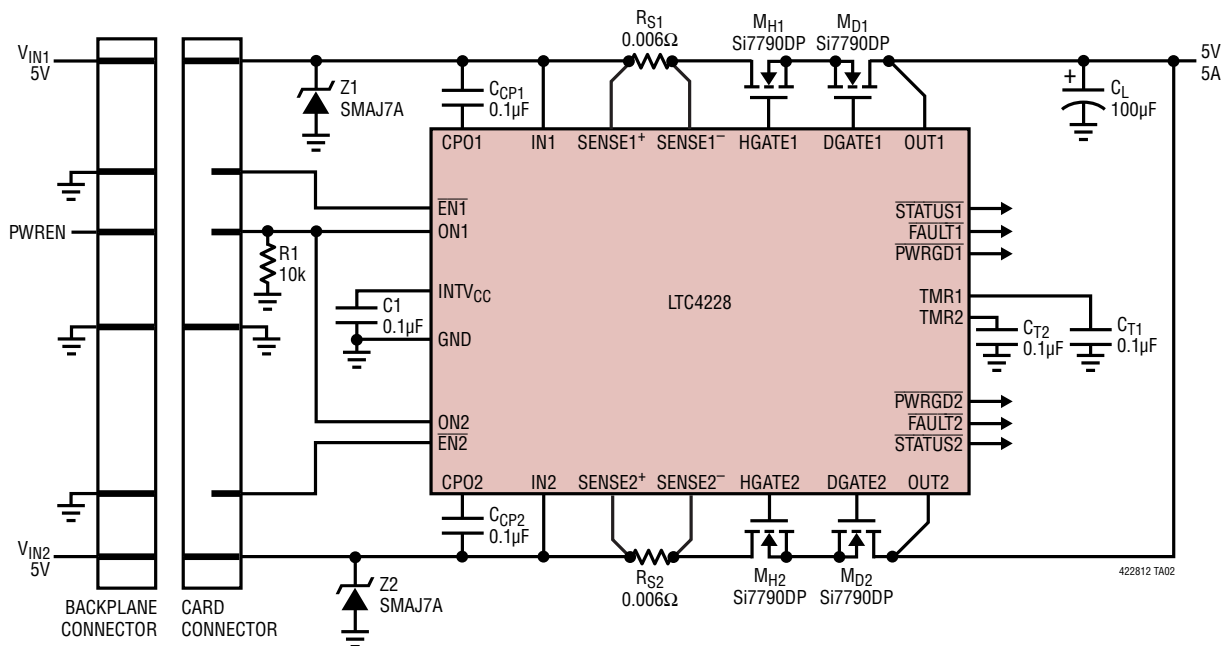
\*DIMENSION DOES NOT INCLUDE MOLD FLASH. MOLD FLASH SHALL NOT EXCEED 0.006" (0.152mm) PER SIDE

\*\*DIMENSION DOES NOT INCLUDE INTERLEAD FLASH. INTERLEAD FLASH SHALL NOT EXCEED 0.010" (0.254mm) PER SIDE

# LTC4228-1/LTC4228-2

## TYPICAL APPLICATION

### Plug-In Card Diode-OR Application with Hot Swap First Followed by Ideal Diode Control



## RELATED PARTS

PART NUMBER	DESCRIPTION	COMMENTS
LTC1421	Dual Channel, Hot Swap Controller	Operates from 3V to 12V, Supports -12V, SSOP-24
LTC1645	Dual Channel, Hot Swap Controller	Operates from 3V to 12V, Power Sequencing, SO-8 or SO-14
LTC1647-1/LTC1647-2/ LTC1647-3	Dual Channel, Hot Swap Controller	Operates from 2.7V to 16.5V, SO-8 or SSOP-16
LTC4210	Single Channel, Hot Swap Controller	Operates from 2.7V to 16.5V, Active Current Limiting, SOT23-6
LTC4211	Single Channel, Hot Swap Controller	Operates from 2.7V to 16.5V, Multifunction Current Control, MSOP-8 or MSOP-10
LTC4215	Single Channel, Hot Swap Controller	Operates from 2.9V to 15V, I <sup>2</sup> C Compatible Monitoring, SSOP-16 or QFN-24
LTC4216	Single Channel, Hot Swap Controller	Operates from 0V to 6V, Active Current Limiting, MSOP-10 or DFN-12
LTC4218	Single Channel, Hot Swap Controller	Operates from 2.9V to 26.5V, Active Current Limiting, SSOP-16 or DFN-16
LTC4221	Dual Channel, Hot Swap Controller	Operates from 1V to 13.5V, Multifunction Current Control, SSOP-16
LTC4222	Dual Channel, Hot Swap Controller	Operates from 2.9V to 29V, I <sup>2</sup> C Compatible Monitoring, SSOP-36 or QFN-32
LTC4223	Dual Supply Hot Swap Controller	Controls 12V and 3.3V, Active Current Limiting, SSOP-16 or DFN-16
LTC4224	Dual Channel, Hot Swap Controller	Operates from 2.7V to 6V, Active Current Limiting, MSOP-10 or DFN-10
LTC4225	Dual Ideal Diode and Hot Swap Controller	Operates from 2.9V to 18V, Controls Four N-Channels, GN-24 or QFN-24
LTC4227	Dual Ideal Diode and Single Hot Swap Controller	Operates from 2.9V to 18V, Controls Three N-Channels, GN-16 or QFN-20
LTC4352	Low Voltage Ideal Diode Controller	Operates from 0V to 18V, Controls N-Channel, MSOP-12 or DFN-12
LTC4354	Negative Voltage Diode-OR Controller and Monitor	80V Operation, Controls Two N-Channels, SO-8 or DFN-8
LTC4355	Positive High Voltage Ideal Diode-OR and Monitor	Operates from 9V to 80V, Controls Two N-Channels, SO-16 or DFN-14
LTC4357	Positive High Voltage Ideal Diode Controller	Operates from 9V to 80V, Controls N-Channel, MSOP-8 or DFN-6
LTC4358	5A Ideal Diode	Operates from 9V to 26.5V, On-Chip N-Channel, TSSOP-16 or DFN-14

422812f