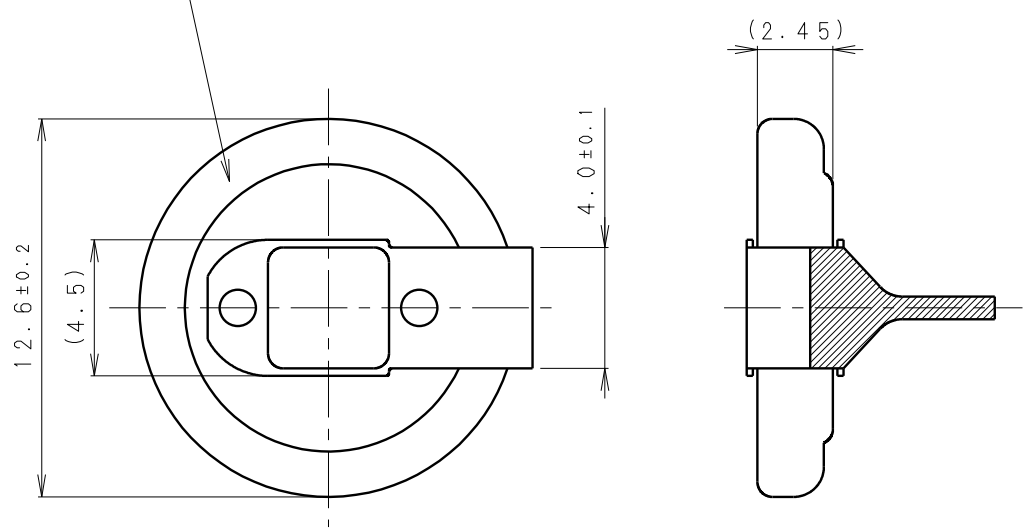
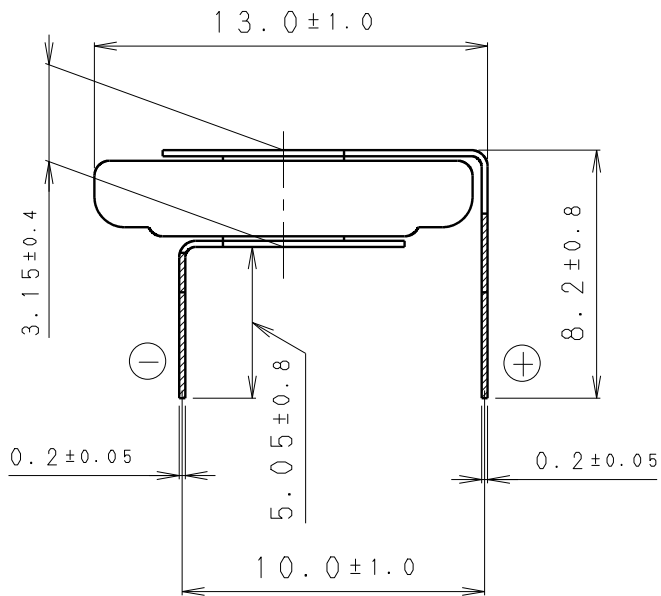
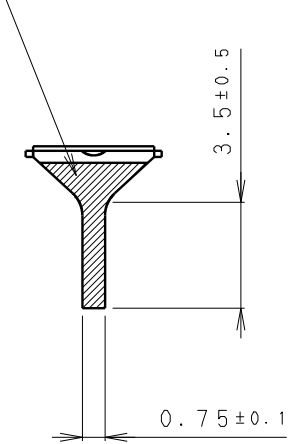


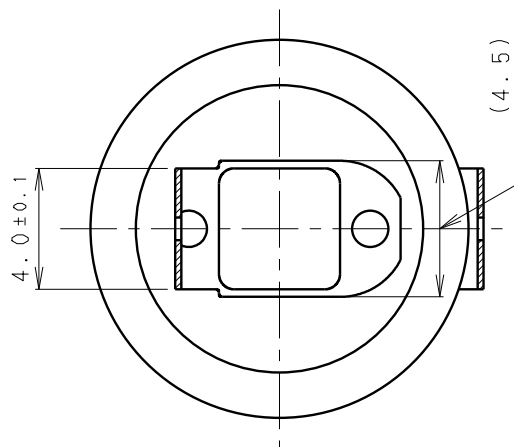
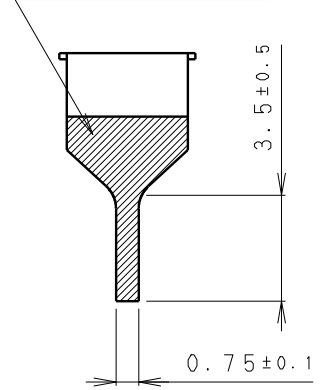
INSULATOR (YELLOW)
 [絶縁チューブ (黄色)]



TIN PLATING
 [Snメッキ]



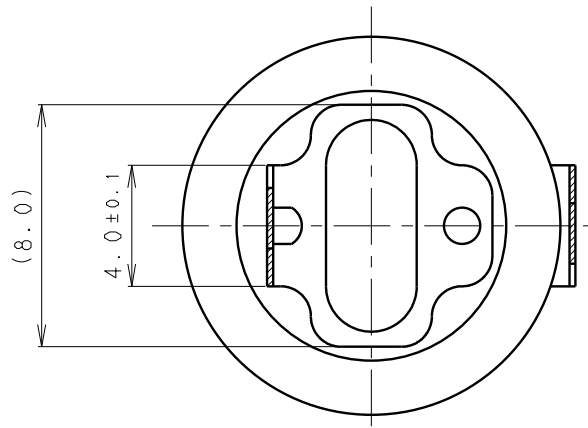
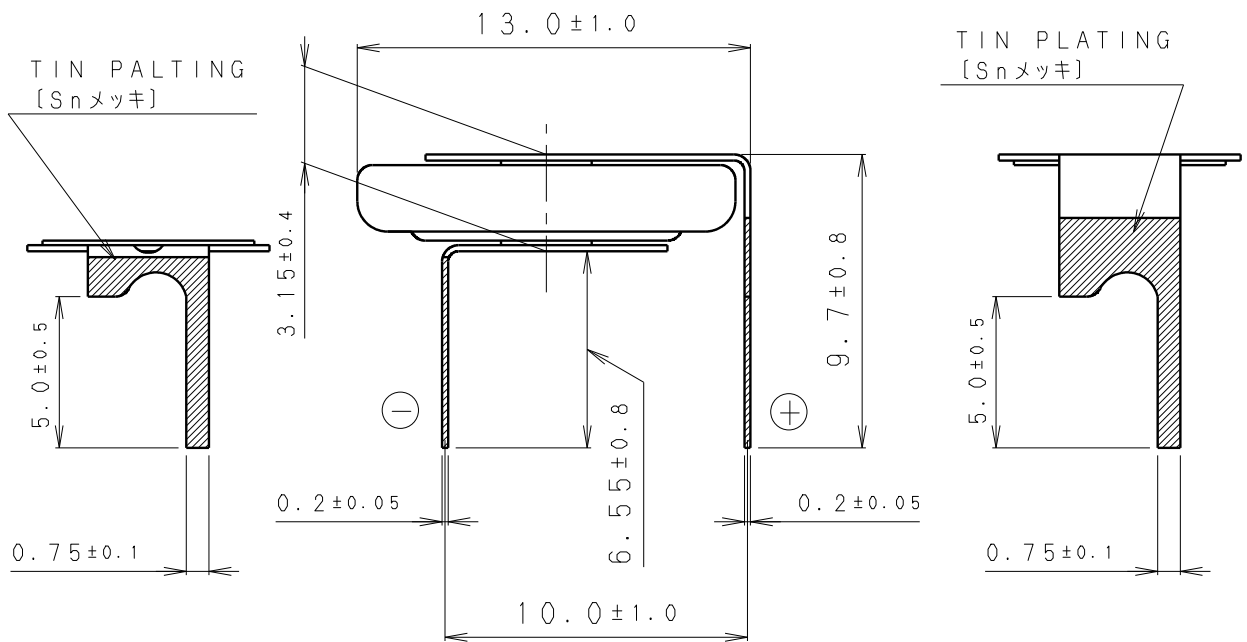
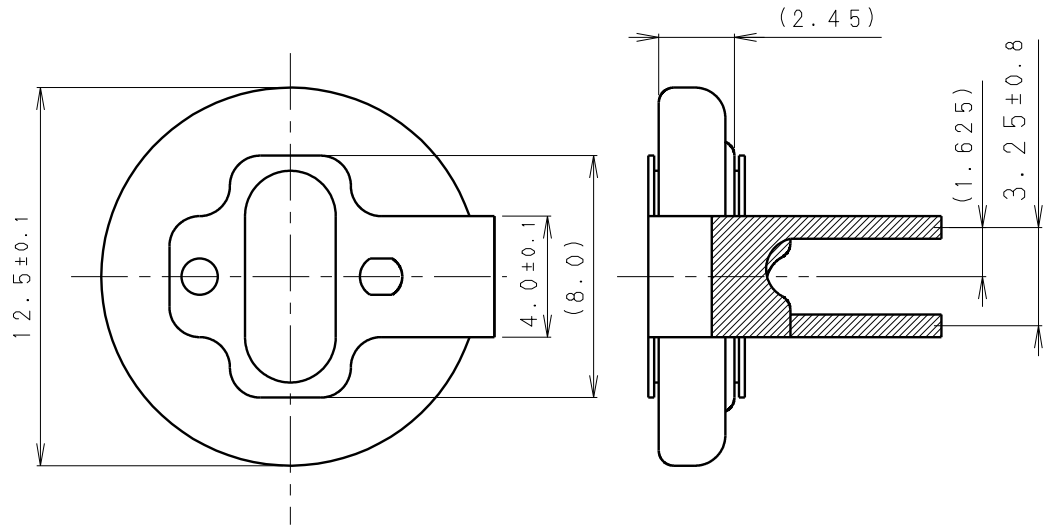
TIN PLATING
 [Snメッキ]



NOTE (注記)

- TAB PULLING STRENGTH OVER 19.6N
 [端子溶接強度: 19.6N以上]
- TAB MATERIAL: STAINLESS STEEL WITH TIN PLATING
 [端子材料: 基材 ステンレス/表面 部分Snメッキ]
- (): REFERENCE DIMENSION AND ANGLE
 [() 寸法、角度は参考値]

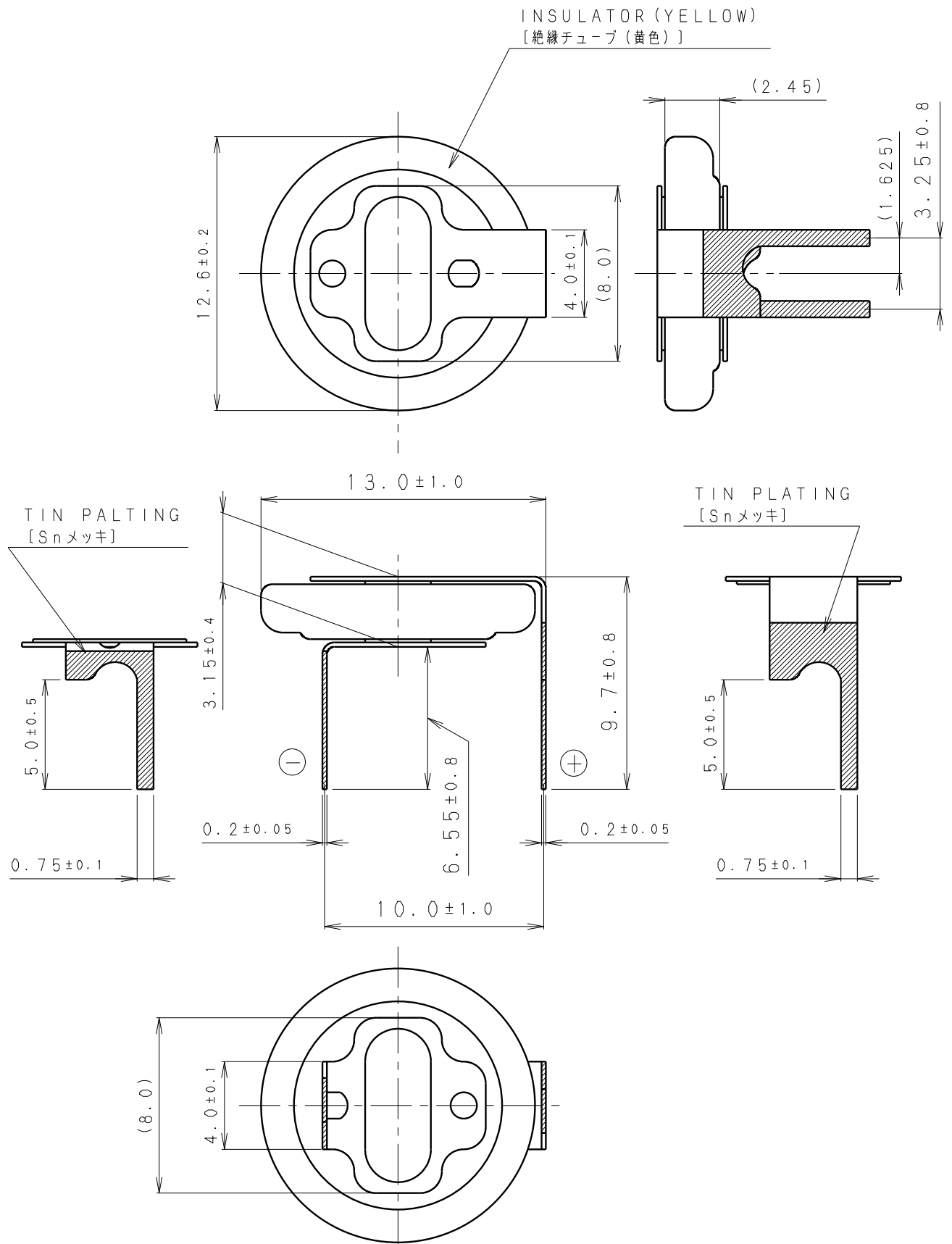
PRODUCT NO.	BR-1225/H1AN	SCALE	4:1
DRAWING NO.	JGHA1Z	REV.	0
			UNIT: mm



NOTE (注記)

1. TAB PULLING STRENGTH OVER 19.6N
[端子溶接強度：19.6N以上]
2. TAB MATERIAL: STAINLESS STEEL WITH TIN PLATING [Snメッキ]
[端子材料：基材 ステンレス/表面 部分Snメッキ]
3. () : REFERENCE DIMENSION AND ANGLE
[() 寸法、角度は参考値]

PRODUCT NO.	BR-1225/HBN	SCALE	
		4:1	
DRAWING NO.	JGHB1N	REV.	
		0	



NOTE (注記)

- TAB PULLING STRENGTH OVER 19.6N
[端子溶接強度：19.6N以上]
- TAB MATERIAL: STAINLESS STEEL WITH TIN PLATING
[端子材料：基材 ステンレス/表面 部分Snメッキ]
- () : REFERENCE DIMENSION AND ANGLE
[() 寸法、角度は参考値]

PRODUCT NO.	BR-1225/HCN	SCALE	
		4:1	
DRAWING NO.	JGHB1Z	REV.	
		0	