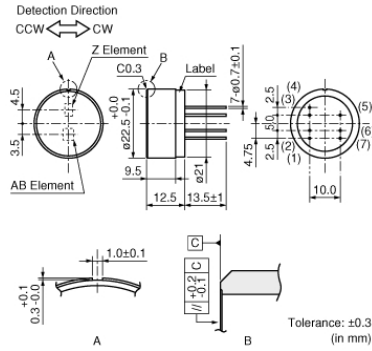


FR05CM13AE



Appearance & Shape



Packaging Information

Packaging	Specifications	Standard Packing Quantity
-	Box	30

Attention

- 1.This datasheet is downloaded from the website of Murata Manufacturing Co., Ltd. Therefore, it's specifications are subject to change or our products in it may be discontinued without advance notice. Please check with our sales representatives or product engineers before ordering.
- 2.This datasheet has only typical specifications because there is no space for detailed specifications.
Therefore, please review our product specifications or consult the approval sheet for product specifications before ordering.

FR05CM13AE

Specifications

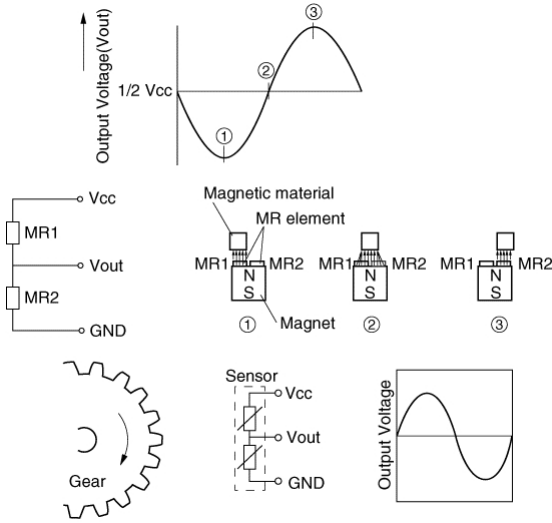
Operating Temperature Range	-10°C to 85°C
Output Type	Dual analog(A/B), Single analog(Z)
Supply Voltage	5.25V
Output Voltage	0.6Vmin.
Target Gear Module	0.4(A/B signal) 1dent(Z signal)
Phase Difference	90deg.

Attention

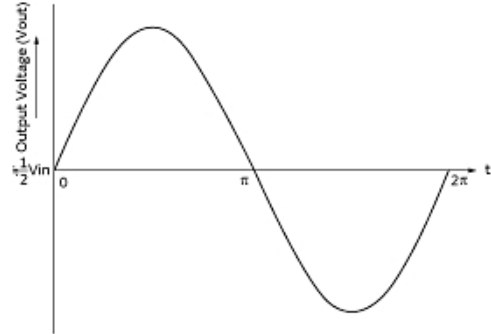
- 1.This datasheet is downloaded from the website of Murata Manufacturing Co., Ltd. Therefore, it's specifications are subject to change or our products in it may be discontinued without advance notice. Please check with our sales representatives or product engineers before ordering.
- 2.This datasheet has only typical specifications because there is no space for detailed specifications.
Therefore, please review our product specifications or consult the approval sheet for product specifications before ordering.

FR05CM13AE

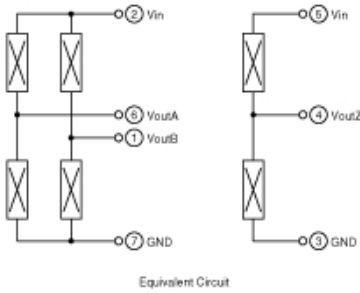
Product Data



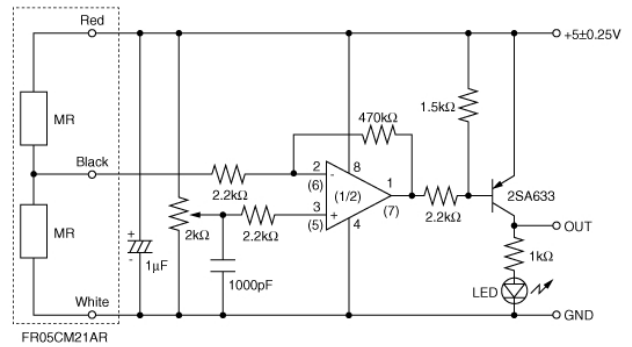
Principle of Operation



Output Wave Form



Circuit diagrams



Application Circuit

Attention

1. This datasheet is downloaded from the website of Murata Manufacturing Co., Ltd. Therefore, its specifications are subject to change or our products in it may be discontinued without advance notice. Please check with our sales representatives or product engineers before ordering.
2. This datasheet has only typical specifications because there is no space for detailed specifications. Therefore, please review our product specifications or consult the approval sheet for product specifications before ordering.