

CGA2B3X8R1H103M050BB

TDK Item Description : CGA2B3X8R1H103MT*****

Equivalent C1005X8R1H103M for Automotive

Application & Main Feature

Automotive Grade (High Temperature Application)

Series

CGA2(1005) [EIA CC0402]

Dimensions

| | | |
|---|--------|-----------|
| L | 1.00mm | +/-0.05mm |
| W | 0.50mm | +/-0.05mm |
| T | 0.50mm | +/-0.05mm |
| B | 0.10mm | Min. |
| G | 0.30mm | Min. |

Temperature Characteristic

X8R (-55 to 150 degC +/-15%)

Rated Voltage

1H (50Vdc)

Capacitance

10nF

Capacitance Tolerance

M (+/-20%)

Dissipation Factor

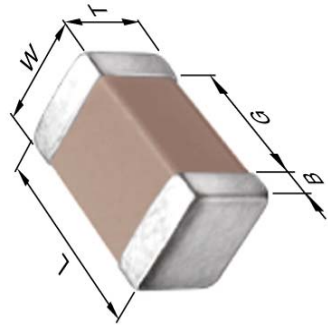
3% Max.

Insulation Resistance

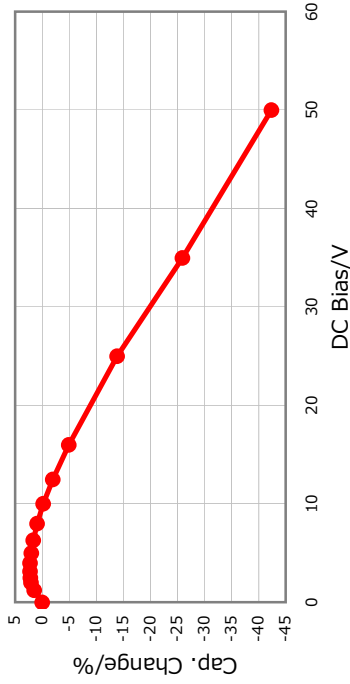
10Gohm Min.

AEC-Q200

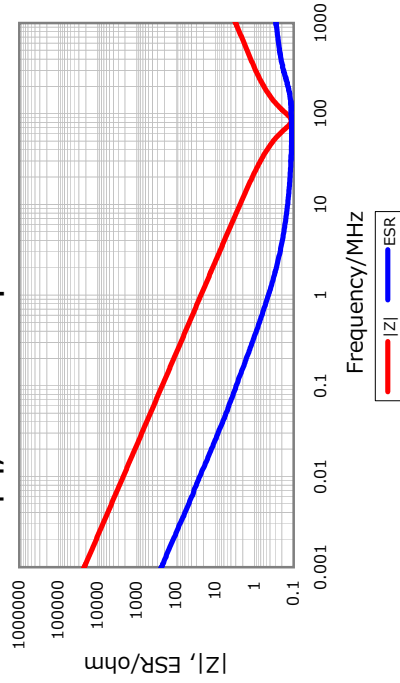
Yes



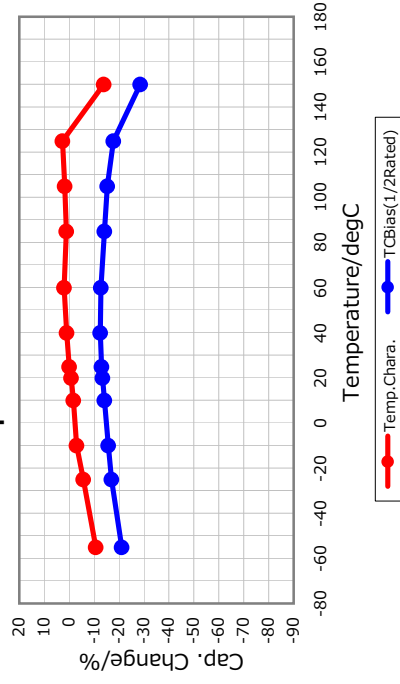
DC Bias Characteristic



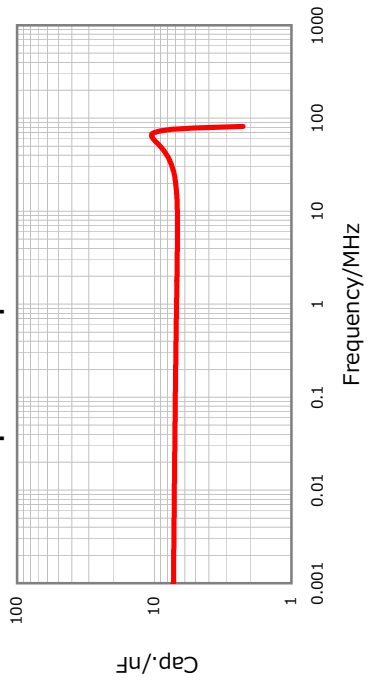
|Z|, ESR vs. Freq. Characteristics



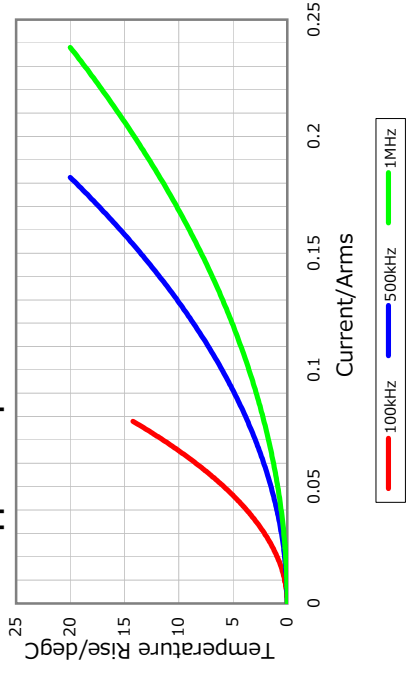
Temperature Characteristics



Cap. vs. Freq. Characteristic



Ripple Temperature Rise Characteristics



All specifications are subject to change without notice.

January 4, 2016