

ANY-FREQUENCY I²C PROGRAMMABLE XO (100 kHz TO 250 MHz)

Features

- Programmable to any frequency from 100 kHz to 250 MHz
- 0.026 ppb frequency tuning resolution
- Glitch suppression on OE, power on and frequency transitions
- Low jitter operation
- 2- to 4-week lead times
- Total stability includes 10-year aging
- Comprehensive production test coverage includes crystal ESR and DLD
- On-chip LDO for power supply noise filtering
- 3.3, 2.5, or 1.8 V operation
- Differential (LVPECL, LVDS, HCSL) or CMOS output options
- Optional integrated 1:2 CMOS fanout buffer
- Industry standard 5x7, 3.2x5, and 2.5x3.2 mm packages
- -40 to 85 °C operation

Applications

- All-digital PLLs
- DAC+ VCXO replacement
- SONET/SDH/OTN
- 3G-SDI/HD-SDI/SDI
- Datacom
- Industrial automation
- FPGA/ASIC clock generation
- FPGA synchronization

Description

The Si514 user-programmable I²C XO utilizes Skyworks Solutions' advanced PLL technology to provide any frequency from 100 kHz to 250 MHz with programming resolution of 0.026 parts per billion. The Si514 uses a single integrated crystal and Skyworks Solutions' proprietary DSPLL synthesizer to generate any frequency across this range using simple I²C commands. Ultra-fine tuning resolution replaces DACs and VCXOs with an all-digital PLL solution that improves performance where synchronization is necessary or in free-running reference clock applications. This solution provides superior supply noise rejection, simplifying low jitter clock generation in noisy environments. Crystal ESR and DLD are individually production-tested to guarantee performance and enhance reliability.

The Si514 is factory-configurable for a wide variety of user specifications, including startup frequency, I²C address, supply voltage, output format, and stability. Specific configurations are factory-programmed at time of shipment, eliminating long lead times and non-recurring engineering charges associated with custom frequency oscillators.

Functional Block Diagram

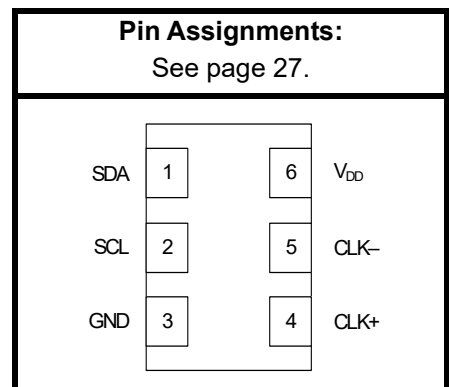
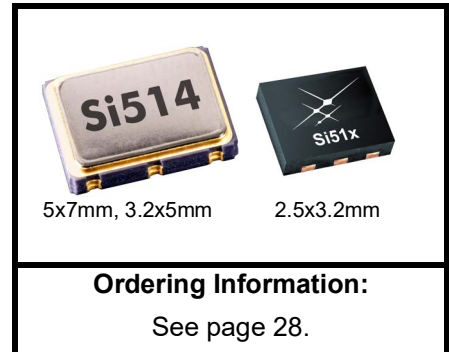
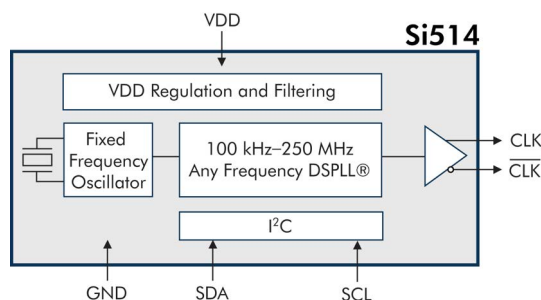


TABLE OF CONTENTS

<u>Section</u>	<u>Page</u>
1. Electrical Specifications	3
2. Solder Reflow and Rework Requirements for 2.5x3.2 mm Packages	11
3. Functional Description	12
3.1. Programming a New Output Frequency	12
3.2. Programming a Small Frequency Change (sub ± 1000 ppm)	13
3.3. Programming a Large Frequency Change ($> \pm 1000$ ppm)	14
4. All-Digital PLL Applications	18
5. User Interface	19
5.1. Register Map	19
5.2. Register Detailed Description	20
5.3. I2C Interface	25
6. Pin Descriptions	27
6.1. Dual CMOS (1:2 Fanout Buffer)	27
7. Ordering Information	28
8. Package Outline Diagram: 5 x 7 mm, 6-pin	29
9. PCB Land Pattern: 5 x 7 mm, 6-pin	30
10. Package Outline Diagram: 3.2 x 5.0 mm, 6-pin	31
11. PCB Land Pattern: 3.2 x 5.0 mm, 6-pin	32
12. Package Outline Diagram: 2.5 x 3.2 mm, 6-pin	33
13. PCB Land Pattern: 2.5 x 3.2 mm, 6-pin	35
14. Top Marking	36
14.1. Si514 Top Marking	36
14.2. Top Marking Explanation	36
Document Change List	37

1. Electrical Specifications

Table 1. Operating Specifications

$V_{DD} = 1.8\text{ V} \pm 5\%$, 2.5 or 3.3 V $\pm 10\%$, $T_A = -40$ to $+85\text{ }^\circ\text{C}$

Parameter	Symbol	Test Condition	Min	Typ	Max	Units
Supply Voltage	V_{DD}	3.3 V option	2.97	3.3	3.63	V
		2.5 V option	2.25	2.5	2.75	V
		1.8 V option	1.71	1.8	1.89	V
Supply Current	I_{DD}	CMOS, 100 MHz, single-ended	—	21	26	mA
		LVDS (output enabled)	—	19	23	mA
		LVPECL (output enabled)	—	39	43	mA
		HCSL (output enabled)	—	41	44	mA
		Tristate (output disabled)	—	—	18	mA
Operating Temperature	T_A		-40	—	85	$^\circ\text{C}$

Table 2. Input Characteristics

$V_{DD} = 1.8\text{ V} \pm 5\%$, 2.5 or 3.3 V $\pm 10\%$, $T_A = -40$ to $+85\text{ }^\circ\text{C}$

Parameter	Symbol	Test Condition	Min	Typ	Max	Units
SDA, SCL Input Voltage High	V_{IH}		$0.80 \times V_{DD}$	—	—	V
SDA, SCL Input Voltage Low	V_{IL}		—	—	$0.20 \times V_{DD}$	V

Si514

Table 3. Output Clock Frequency Characteristics

$V_{DD} = 1.8\text{ V} \pm 5\%$, $2.5\text{ or }3.3\text{ V} \pm 10\%$, $T_A = -40\text{ to }+85\text{ }^\circ\text{C}$

Parameter	Symbol	Test Condition	Min	Typ	Max	Units
Programmable Frequency Range	F_O	CMOS, Dual CMOS	0.1	—	212.5	MHz
	F_O	LVDS/LVPECL/HCSL	0.1	—	250	MHz
Frequency Reprogramming Resolution	M_{RES}		—	0.026	—	ppb
Frequency Range for Small Frequency Change (Continuous Glitchless Output)		From center frequency	-1000	—	+1000	ppm
Settling time for Small Frequency Change		$\leq \pm 1000$ ppm from center frequency	—	—	100	μs
Settling time for Large Frequency Change (Output Squelched during Frequency Transition)		$> \pm 1000$ ppm from center frequency	—	—	10	ms
Total Stability*		Frequency Stability Grade C	-30	—	+30	ppm
		Frequency Stability Grade B	-50	—	+50	ppm
		Frequency Stability Grade A	-100	—	+100	ppm
Temperature Stability		Frequency Stability Grade C	-20	—	+20	ppm
		Frequency Stability Grade B	-25	—	+25	ppm
		Frequency Stability Grade A	-50	—	+50	ppm
Startup Time	T_{SU}	Minimum V_{DD} until output frequency (F_O) within specification	—	—	10	ms
Disable Time	T_D	$F_O < 10\text{ MHz}$	—	—	40	μs
		$F_O \geq 10\text{ MHz}$	—	—	5	μs
Enable Time	T_E	$F_O < 10\text{ MHz}$	—	—	60	μs
		$F_O \geq 10\text{ MHz}$	—	—	20	μs
<p>*Note: Total stability includes initial accuracy, operating temperature, supply voltage change, load change, shock and vibration (not under operation), and 10 years aging at $40\text{ }^\circ\text{C}$.</p>						

Table 4. Output Clock Levels and Symmetry $V_{DD} = 1.8\text{ V} \pm 5\%$, 2.5 or 3.3 V $\pm 10\%$, $T_A = -40$ to $+85\text{ }^\circ\text{C}$

Parameter	Symbol	Test Condition	Min	Typ	Max	Units
CMOS Output Logic High	V_{OH}		$0.85 \times V_{DD}$	—	—	V
CMOS Output Logic Low	V_{OL}		—	—	$0.15 \times V_{DD}$	V
CMOS Output Logic High Drive	I_{OH}	3.3 V	–8	—	—	mA
		2.5 V	–6	—	—	mA
		1.8 V	–4	—	—	mA
CMOS Output Logic Low Drive	I_{OL}	3.3 V	8	—	—	mA
		2.5 V	6	—	—	mA
		1.8 V	4	—	—	mA
CMOS Output Rise/Fall Time (20 to 80% V_{DD})	T_R/T_F	0.1 to 125 MHz, $C_L = 15\text{ pF}$	—	0.8	1.2	ns
		0.1 to 212.5 MHz, $C_L = \text{no load}$	—	0.6	0.9	ns
LVPECL/HCSL Output Rise/Fall Time (20 to 80% V_{DD})	T_R/T_F		—	—	565	ps
LVDS Output Rise/Fall Time (20 to 80% V_{DD})	T_R/T_F		—	—	800	ps
LVPECL Output Common Mode	V_{OC}	$50\ \Omega$ to $V_{DD} - 2\text{ V}$, single-ended	—	$V_{DD} - 1.4\text{ V}$	—	V
LVPECL Output Swing	V_O	$50\ \Omega$ to $V_{DD} - 2\text{ V}$, single-ended	0.55	0.8	0.90	V_{PPSE}
LVDS Output Common Mode	V_{OC}	100 Ω line-line, 3.3/2.5 V	1.13	1.23	1.33	V
		100 Ω line-line, 1.8 V	0.83	0.92	1.00	V
LVDS Output Swing	V_O	Single-ended 100 Ω differential termination	0.25	0.35	0.45	V_{PPSE}
HCSL Output Common Mode	V_{OC}	50 Ω to ground	0.35	0.38	0.42	V
HCSL Output Swing	V_O	Single-ended	0.58	0.73	0.85	V_{PPSE}
Duty Cycle	DC		48	50	52	%

Table 5. Output Clock Jitter and Phase Noise (LVPECL)

$V_{DD} = 2.5$ or 3.3 V $\pm 10\%$, $T_A = -40$ to $+85$ °C; Output Format = LVPECL

Parameter	Symbol	Test Condition	Min	Typ	Max	Units
Period Jitter (RMS)	JPRMS	10 k samples ¹	—	—	1.3	ps
Period Jitter (Pk-Pk)	JPPKPK	10 k samples ¹	—	—	11	ps
Phase Jitter (RMS)	ϕ_J	1.875 MHz to 20 MHz integration bandwidth ² (brickwall)	—	0.31	0.5	ps
		12 kHz to 20 MHz integration bandwidth ²	—	0.8	1.0	ps
Phase Noise, 156.25 MHz	ϕ_N	100 Hz	—	-86	—	dBc/Hz
		1 kHz	—	-109	—	dBc/Hz
		10 kHz	—	-116	—	dBc/Hz
		100 kHz	—	-123	—	dBc/Hz
		1 MHz	—	-136	—	dBc/Hz
Additive RMS Jitter Due to Power Supply Noise ³	JPSR	10 kHz sinusoidal noise	—	3.0	—	ps
		100 kHz sinusoidal noise	—	3.5	—	ps
		500 kHz sinusoidal noise	—	3.5	—	ps
		1 MHz sinusoidal noise	—	3.5	—	ps
Spurious	SPR	LVPECL output, 156.25 MHz, offset > 10 kHz	—	-75	—	dBc

Notes:

1. Applies to output frequencies: 74.17582, 74.25, 75, 77.76, 100, 106.25, 125, 148.35165, 148.5, 150, 155.52, 156.25, 212.5, 250 MHz.
2. Applies to output frequencies: 100, 106.25, 125, 148.35165, 148.5, 150, 155.52, 156.25, 212.5 and 250 MHz.
3. 156.25 MHz. Increase in jitter on output clock due to sinewave noise added to VDD (2.5/3.3 V = 100 mVPP).

Table 6. Output Clock Jitter and Phase Noise (LVDS)

$V_{DD} = 1.8\text{ V} \pm 5\%$, 2.5 or 3.3 V $\pm 10\%$, $T_A = -40$ to $+85\text{ }^\circ\text{C}$; Output Format = LVDS

Parameter	Symbol	Test Condition	Min	Typ	Max	Unit
Period Jitter (RMS)	JPRMS	10k samples ¹	—	—	2.1	ps
Period Jitter (Pk-Pk)	JPPKPK	10k samples ¹	—	—	18	ps
Phase Jitter (RMS)	ϕJ	1.875 MHz to 20 MHz integration bandwidth ² (brickwall)	—	0.25	0.55	ps
		12 kHz to 20 MHz integration bandwidth ² (brickwall)	—	0.8	1.0	ps
Phase Noise, 156.25 MHz	ϕN	100 Hz	—	-86	—	dBc/Hz
		1 kHz	—	-109	—	dBc/Hz
		10 kHz	—	-116	—	dBc/Hz
		100 kHz	—	-123	—	dBc/Hz
		1 MHz	—	-136	—	dBc/Hz
Spurious	SPR	LVPECL output, 156.25 MHz, offset > 10 kHz	—	-75	—	dBc
Notes:						
1. Applies to output frequencies: 74.17582, 74.25, 75, 77.76, 100, 106.25, 125, 148.35165, 148.5, 150, 155.52, 156.25, 212.5, 250 MHz.						
2. Applies to output frequencies: 100, 106.25, 125, 148.35165, 148.5, 150, 155.52, 156.25, 212.5 and 250 MHz.						

Table 7. Output Clock Jitter and Phase Noise (HCSL)

$V_{DD} = 1.8\text{ V} \pm 5\%$, $2.5\text{ or }3.3\text{ V} \pm 10\%$, $T_A = -40\text{ to }+85\text{ }^\circ\text{C}$; Output Format = HCSL

Parameter	Symbol	Test Condition	Min	Typ	Max	Unit
Period Jitter (RMS)	JPRMS	10k samples*	—	—	1.2	ps
Period Jitter (Pk-Pk)	JPPKPK	10k samples*	—	—	11	ps
Phase Jitter (RMS)	ϕJ	1.875 MHz to 20 MHz integration bandwidth* (brickwall)	—	0.25	0.30	ps
		12 kHz to 20 MHz integration bandwidth* (brickwall)	—	0.8	1.0	ps
Phase Noise, 156.25 MHz	ϕN	100 Hz	—	-90	—	dBc/Hz
		1 kHz	—	-112	—	dBc/Hz
		10 kHz	—	-120	—	dBc/Hz
		100 kHz	—	-127	—	dBc/Hz
		1 MHz	—	-140	—	dBc/Hz
Spurious	SPR	LVPECL output, 156.25 MHz, offset > 10 kHz	—	-75	—	dBc

***Note:** Applies to an output frequency of 100 MHz.

Table 8. Output Clock Jitter and Phase Noise (CMOS, Dual CMOS)

$V_{DD} = 1.8\text{ V} \pm 5\%$, 2.5 or 3.3 V $\pm 10\%$, $T_A = -40$ to $+85\text{ }^\circ\text{C}$; Output Format = CMOS, Dual CMOS

Parameter	Symbol	Test Condition	Min	Typ	Max	Unit
Phase Jitter (RMS)	ϕ_J	1.875 MHz to 20 MHz integration bandwidth ² (brickwall)	—	0.25	0.35	ps
		12 kHz to 20 MHz integration bandwidth ² (brickwall)	—	0.8	1.0	ps
Phase Noise, 156.25 MHz	ϕ_N	100 Hz	—	-86	—	dBc/Hz
		1 kHz	—	-108	—	dBc/Hz
		10 kHz	—	-115	—	dBc/Hz
		100 kHz	—	-123	—	dBc/Hz
		1 MHz	—	-136	—	dBc/Hz
Spurious	SPR	LVPECL output, 156.25 MHz, offset > 10 kHz	—	-75	—	dBc

Notes:

1. Applies to output frequencies: 74.17582, 74.25, 75, 77.76, 100, 106.25, 125, 148.35165, 148.5, 150, 155.52, 156.25, 212.5 MHz.
2. Applies to output frequencies: 100, 106.25, 125, 148.35165, 148.5, 150, 155.52, 156.25, 212.5 MHz.

Table 9. Environmental Compliance and Package Information

Parameter	Conditions/Test Method
Mechanical Shock	MIL-STD-883, Method 2002
Mechanical Vibration	MIL-STD-883, Method 2007
Solderability	MIL-STD-883, Method 2003
Gross and Fine Leak	MIL-STD-883, Method 1014
Resistance to Solder Heat	MIL-STD-883, Method 2036
Contact Pads	Gold over Nickel

Table 10. Thermal Characteristics

Parameter	Symbol	Test Condition	Value	Units
CLCC, Thermal Resistance Junction to Ambient*	θ_{JA}	Still air	110	°C/W
2x5 x 3.2 mm, Thermal Resistance Junction to Ambient*	θ_{JA}	Still air	164	°C/W

*Note: Applies to 5 x 7 and 3.2 x 5 mm packages.

Table 11. Absolute Maximum Ratings¹

Parameter	Symbol	Rating	Units
Maximum Operating Temperature	T_{AMAX}	85	°C
Storage Temperature	T_S	-55 to +125	°C
Supply Voltage	V_{DD}	-0.5 to +3.8	V
Input Voltage (any input pin)	V_I	-0.5 to $V_{DD} + 0.3$	V
ESD Sensitivity (HBM, per JESD22-A114)	HBM	2	kV
Soldering Temperature (Pb-free profile) ²	T_{PEAK}	260	°C
Soldering Temperature Time at T_{PEAK} (Pb-free profile) ²	T_P	20–40	sec

Notes:

- Stresses beyond those listed in this table may cause permanent damage to the device. Functional operation or specification compliance is not implied at these conditions. Exposure to maximum rating conditions for extended periods may affect device reliability.
- The device is compliant with JEDEC J-STD-020E.

2. Solder Reflow and Rework Requirements for 2.5x3.2 mm Packages

Reflow of Skyworks Solutions' components should be done in a manner consistent with the IPC/JEDEC J-STD-20E standard. The temperature of the package is not to exceed the classification Temperature provided in the standard. The part should not be within -5°C of the classification or peak reflow temperature (T_{PEAK}) for longer than 30 seconds. Key to maintaining the integrity of the component is providing uniform heating and cooling of the part during reflow and rework. Uniform heating is achieved through having a preheat soak and controlling the temperature ramps in the process. J-STD-20E provides minimum and maximum temperatures and times for the preheat/Soak step that need to be followed, even for rework. The entire assembly area should be heated during rework. Hot air should be flowed from both the bottom of the board and the top of the component. Heating from the top only will cause un-even heating of component and can lead to part integrity issues. Temperature Ramp-up rate are not to exceed $3^{\circ}\text{C}/\text{second}$. Temperature ramp-down rates from peak to final temperature are not to exceed $6^{\circ}\text{C}/\text{second}$. Time from 25°C to peak temperature is not to exceed 8 min for Pb-free solders.

3. Functional Description

The Si514 offers system designers a programmable, low jitter XO solution with exceptionally fine frequency tuning resolution. To enable designers to take full advantage of this flexibility and performance, Skyworks Solutions provides an easy-to-use evaluation kit and intuitive suite of Windows-based software utilities to simplify the Si514 programming process.

The Si5xx-PROG-EVB kit contains the Programmable Oscillator Software suite and an EVB Driver (USBXpress®) for use with USB-equipped PCs. Go to

www.skyworksinc.com/en/application-pages/Developers for more information.

Alternatively, “3.1. Programming a New Output Frequency” provides designers a detailed description, along with examples, of the frequency programming requirements and process for designers who are interested in learning more about the programming algorithms implemented within the Programmable Oscillator Software suite.

3.1. Programming a New Output Frequency

The output frequency (F_{out}) is determined by programming the feedback multiplier ($M=M_{Int}.M_{Frac}$), High-Speed Divider (HS_DIV), and Low-Speed Divider (LS_DIV) according to the following formula:

$$F_{out} = \frac{F_{XO} \times M}{HS_DIV \times LS_DIV}$$

where $F_{XO} = 31.98\text{MHz}$

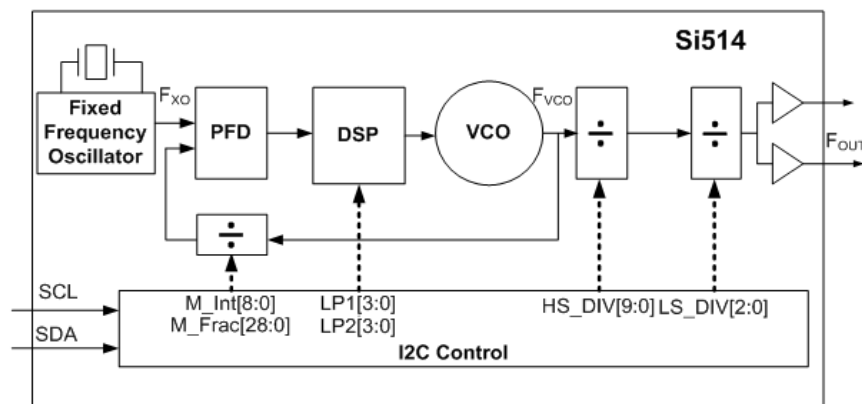


Figure 1. Block Diagram of Si514

The value of the feedback multiplier M is adjustable in the following range:

- $65.04065041 \leq M \leq 78.17385866$.

This keeps the VCO frequency within the range of $2080\text{ MHz} \leq F_{VCO} \leq 2500\text{ MHz}$, since the VCO frequency is the product of the internal fixed-frequency crystal (F_{XO}) and the high-resolution 29-bit fractional multiplier (M). This 29-bit resolution of M allows the VCO frequency to have a frequency tuning resolution of 0.026 ppb.

The device comes from the factory with a pre-programmed center frequency within the range of $100\text{ kHz} \leq F_{OUT} \leq 250\text{ MHz}$, as specified by the 6-digit code in the part number. (See section “7. Ordering Information” for more information.) To change from the factory-programmed frequency to a different value, the user must follow one of two algorithms based on the magnitude of the frequency change.

- “Small Frequency Change.” To change the frequency by $< \pm 1000$ ppm, the user must keep the same center frequency and only update the value of M . Refer to section “3.2. Programming a Small Frequency Change (sub ± 1000 ppm)” on page 13.
- “Large Frequency Change.” To change the frequency by $\geq \pm 1000$ ppm, the user must change the center frequency. This may require updates to the output dividers (HS_DIV and/or LS_DIV) and possibly the LP1 and

LP2 values, in addition to updating the value of M, which requires the VCO to be recalibrated. Refer to section "3.3. Programming a Large Frequency Change (> ±1000 ppm)" on page 14. Figure 2 provides a graphic depiction of the difference between small and large frequency changes.

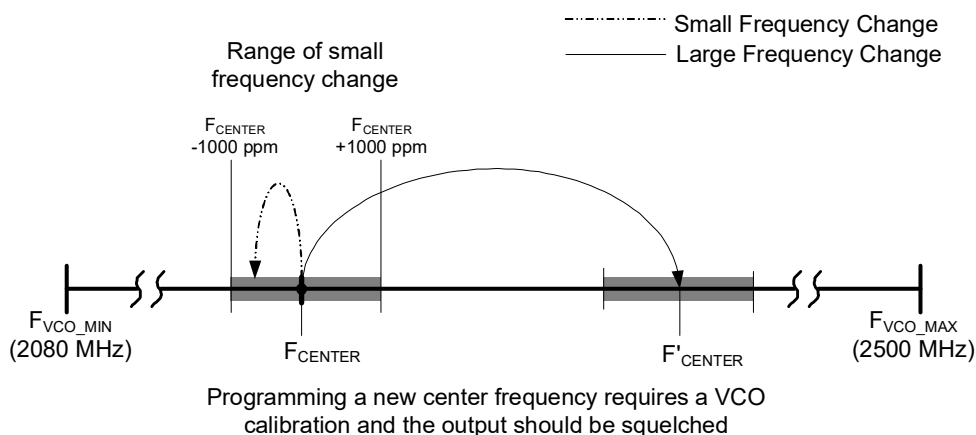


Figure 2. Small vs. Large Frequency Change Illustration

3.2. Programming a Small Frequency Change (sub ±1000 ppm)

The value of the feedback multiplier, M is the only parameter that needs to be updated for output frequency changes less than ±1000 ppm from the center frequency (recalibrating the VCO is NOT required). This enables the output to remain continuous during the change. For example, the output frequency can be swept continuously between 148.5 MHz and 148.352 MHz (i.e., -0.997 ppm) with no output discontinuities or glitches by changing M in either multiple steps or in a single step. For small frequency changes, each update of M requires 100 μs to settle.

Note: It is not possible to implement a frequency change $\geq \pm 1000$ ppm using multiple small frequency changes without changing the center frequency and recalibrating the VCO.

Use the following procedure to make small frequency changes:

1. If the current value of M is already known, then skip to step 2; else, using the serial port, read the current M value (Registers 5-9).
2. Calculate the new value of M as follows (all values are in decimal format):
 - a. $M_{\text{current}} = M_{\text{Int}} + M_{\text{Frac}}/2^{29}$ (Eq 2.2)
 - b. $M_{\text{new}} = M_{\text{current}} \times F_{\text{out_new}} / F_{\text{out_current}}$ (Eq 2.3)
 - c. $M_{\text{Intnew}} = \text{INT}[M_{\text{new}}]^*$ (Eq 2.4)
 - d. $M_{\text{Fracnew}} = (M_{\text{new}} - \text{INT}[M_{\text{new}}]) \times 2^{29}$ (Eq 2.5)

*Where $\text{INT}[n]$ rounds n down to the nearest integer (e.g., $\text{INT}[3.9] = 3$)

3. Using the I²C port, write the new value of M_Frac[23:0] (Not all registers need to be updated.) (Registers: 5, 6, 7)
4. If necessary, write new value of M_Int[2:0] and M_Frac[28:24] register. (Register 8)
5. Write M_Int[8:3]. (Register 9) Frequency changes take effect when M_Int[8:3] is written.

Example 2.1:

An Si514 generating a 148.5 MHz clock must be reconfigured “on-the-fly” to generate a 148.352 MHz clock. This represents a change of -0.996.633 ppm which is within the ±1000 ppm window.

1. Read the current value of M:
 - a. Register 5 = 0xD3 (M_Frac[7:0])
 - b. Register 6 = 0x65 (M_Frac[15:8])
 - c. Register 7 = 0x7C (M_Frac[23:16])

- d. Register 8 = 0x49 (M_Int[2:0],M_Frac[28:24])
 - e. Register 9 = 0x09 (M_Int[8:3])
 - f. M_Int = 0b001001010 = 0x4A = 0d74
 - g. M_Frac = 0x097C65D3 = 159,147,475
 - h. $M = M_Int + M_Frac/2^{29} = 74 + 159,147,475/2^{29} = 74.296435272321105$
2. Calculate Mnew:
 - a. $Mnew = 74.296435272321105 \times 148.352/148.5 = 74.2223889933965$
 - b. M_Intnew = 74 = 0x4A
 - c. $M_Fracnew = 0.2223889933965 \times 2^{29} = 119,394,181 = 0x071DCF85$
 3. Write Mnew to Registers 5-7:
 - a. Register 5 = 0x85
 - b. Register 6 = 0xCF
 - c. Register 7 = 0x1D
 4. Write Mnew to Register 8:
 - a. Register 8 = 0x47
 5. Write Mnew to Register 9:
 - a. Register 9 = 0x09

3.3. Programming a Large Frequency Change (> ±1000 ppm)

Large frequency changes are those that vary the F_{VCO} frequency by an amount greater than ±1000 ppm from an operating F_{CENTER} . Figure 2 illustrates the difference between large and small frequency changes. Changing from F_{CENTER} to F'_{CENTER} requires a calibration cycle that resets internal circuitry to establish F'_{CENTER} as the new operating center frequency. The below steps are recommended when performing large frequency changes:

1. Disable the output: Write OE register bit to a 0 (Register 132, bit2)
 2. If using one of the standard frequencies listed in Table 12, then write the new LP1, LP2, M_Frac, M_Int, HS_DIV and LS_DIV register values according to the table (be sure to write M_Int[8:3] (Register 9) after writing to the M_Frac registers (Registers 5-8)). Skip to Step 9. If the desired frequency is not in the table, then follow steps 4-8 below.
 3. Determine the minimum value of LS_DIV (minimizing LS_DIV minimizes the number of dividers on the output stage, thus minimizing jitter) according to the following formula:
 - a. $LS_DIV = F_{VCO}(MIN)/(F_{OUT} \times HS_DIV(MAX))$ (Eq 2.6)
 - b. $LS_DIV = 2080/(F_{OUT}(MHz) \times 1022)$ (Eq 2.7)
 - i. Since LS_DIV is restricted to: dividing by 1,2,4,8,16,32, choose the next largest value over the result derived in Eq 2.7 (e.g., if result is 4.135, choose LS_DIV = 8)
 4. Determine the minimum value for HS_DIV (this optimizes timing margins)
 - a. $HS_DIV(MIN) = F_{VCO}(MIN)/(F_{OUT} \times LS_DIV)$ (Eq 2.8)
 - b. $HS_DIV(MIN) = 2080/(F_{OUT}(MHz) \times LS_DIV)$ (Eq 2.9)
 - i. HS_DIV(MIN) will be the next even number greater than or equal to the result derived in Eq 2.9 (keeping in the range of 10-1022)
- Note:** $SPEED_GRADE_MIN$ (Reg 48) $\leq LS_DIV \times HS_DIV \leq SPEED_GRADE_MAX$ (Reg 49); If outside this range, the output will be forced to the disabled state.
5. Determine a value for M according to the following formula (all values are in decimal format):
 - a. $M = LS_DIV \times HS_DIV \times F_{OUT}/F_{XO}$ (Eq 2.10)
 - b. $M = LS_DIV \times HS_DIV \times F_{OUT}(MHz)/31.98$ (Eq 2.11)
 - c. $M_Int = INT[M]$ (Eq 2.12)
 - d. $M_Frac = (M - INT[M]) \times 2^{29}$ (Eq 2.13)

Table 12. Standard Frequency Table

Fout (MHz)	M	DEC		HSDIV	LSDIV	LP1	LP2	HEX		HSDIVX	LSDIVX	LP1_X	LP2_X
		M_INT	M_FRAC					M_INTX	M_FRACX				
0.100000	65.04065041	65	21824021	650	5	2	2	41	14D0215	28A	5	2	2
1.544000	65.08167605	65	43849494	674	1	2	2	41	29D1716	2A2	1	2	2
2.048000	65.06466542	65	34716981	1016	0	2	2	41	211BD35	3F8	0	2	2
4.096000	65.06466542	65	34716981	508	0	2	2	41	211BD35	1FC	0	2	2
4.915200	65.16712946	65	89726943	424	0	2	2	41	5591FDF	1A8	0	2	2
19.440000	65.65103189	65	349520087	108	0	2	3	41	14D540D7	6C	0	2	3
24.576000	66.08930582	66	47945695	86	0	2	3	42	2DB97DF	56	0	2	3
25.000000	65.66604128	65	357578187	84	0	2	3	41	155035CB	54	0	2	3
27.000000	65.85365854	65	458304437	78	0	2	3	41	1B512BB5	4E	0	2	3
38.880000	65.65103189	65	349520087	54	0	2	3	41	14D540D7	36	0	2	3
44.736000	67.14596623	67	78365022	48	0	2	3	43	4ABC15E	30	0	2	3
54.000000	67.54221388	67	291098862	40	0	2	3	43	1159D0EE	28	0	2	3
62.500000	66.44777986	66	240399983	34	0	2	3	42	E54366F	22	0	2	3
65.536000	65.57698562	65	309766794	32	0	2	3	41	1276AA8A	20	0	2	3
74.175824	69.58332458	69	313169998	30	0	3	3	45	12AA984E	1E	0	3	3
74.250000	69.65290807	69	350527350	30	0	3	3	45	14E49F76	1E	0	3	3
77.760000	68.08255159	68	44319550	28	0	3	3	44	2A4433E	1C	0	3	3
106.250000	66.44777986	66	240399983	20	0	2	3	42	E54366F	14	0	2	3
125.000000	70.3564728	70	191379875	18	0	3	3	46	B6839A3	12	0	3	3
148.351648	74.22221288	74	119299633	16	0	3	4	4A	71C5E31	10	0	3	4
148.500000	74.29643527	74	159147475	16	0	3	4	4A	97C65D3	10	0	3	4
150.000000	65.66604128	65	357578187	14	0	2	3	41	155035CB	E	0	2	3
155.520000	68.08255159	68	44319550	14	0	3	3	44	2A4433E	E	0	3	3
156.250000	68.40212633	68	215889929	14	0	3	3	44	CDE3809	E	0	3	3
212.500000	66.44777986	66	240399983	10	0	2	3	42	E54366F	A	0	2	3
250.000000	78.17385866	78	93339658	10	0	4	4	4E	590400A	A	0	4	4

6. Determine values for LP1 and LP2 according to Table 13:

Table 13. LP1, LP2 Values

Fvco_max	Fvco_min	M_max	M_min	LP1	LP2
2500000000.00000	2425467616.18572	78.173858662	75.843265046	4	4
2425467616.18572	2332545246.89005	75.843265046	72.937624981	3	4
2332545246.89005	2170155235.53450	72.937624981	67.859763463	3	3
2170155235.53450	2087014168.27005	67.859763463	65.259980246	2	3
2087014168.27005	2080000000.00000	65.259980246	65.040650407	2	2

7. Write new LP1, LP2, M_Frac, M_Int, HS_DIV and LS_DIV register values (be sure to write M_Int[8:3] (Register 9) after writing to the M_Frac registers (Registers 5-8)

8. Write FCAL (Register 132, bit 0) to a 1 (this bit auto-resets, so it will always read as 0).

9. Enable the output: Write OE register bit to a 1.

The Si514 does not automatically detect large frequency changes. The user needs to assert the FCAL register bit to initiate the calibration cycle required to re-center the VCO around the new frequency. Large frequency changes are discontinuous and output may skip to intermediate frequencies or generate glitches. Resetting the OE bit before FCAL will prevent intermediate frequencies from appearing on the output while Si514 completes a calibration cycle and settles to F_{CENTER} . Settling time for large frequency changes is 10 msec maximum.

Example 2.2:

The user has a part that is programmed with SPEED_GRADE_MIN = 20 and SPEED_GRADE_MAX = 250 that is programmed from the factory for $F_{OUT} = 50$ MHz and wants to change to an STS-1 rate of 51.84 MHz. This represents a change of +36,800 ppm which exceeds ± 1000 ppm and therefore requires a large frequency change process.

1. Write Reg 132, bit 2 to a 0 to disable the output.
2. Since 51.84 MHz is not in Table 2.1, the divider parameters must be calculated.
3. Calculate LS_DIV by using Eq 2.7:
 - a. $LS_DIV = 2080 / (51.84 \times 1022) = 0.039$
 - b. Since $0.039 < 1$, use a divide-by-one (bypass), therefore $LS_DIV = 0$
4. Calculate HS_DIV(MIN) by using Eq 2.9:
 - a. $HS_DIV(MIN) = 2080 / (51.84 \times 1) = 40.123$
 - b. Since $40.123 > 40$, use $HS_DIV(MIN) = 42 = 0x2A$
5. From Eq 2.11:
 - a. $M = 1 \times 42 \times 51.84 / 31.98 = 68.08255159474$
 - b. $M_Int = 68 = 0x44$
 - c. $M_Frac = 0.08255259474 \times 2^{29} = 44,320,087 = 0x2A44557$
6. From Table 2.2:
 - a. LP1 = 3
 - b. LP2 = 3

7. Write Registers 0, 5-11:
 - a. Register 0 = 0x33
 - b. Register 5 = 0x57 (M_Frac[7:0])
 - c. Register 6 = 0x45 (M_Frac[15:8])
 - d. Register 7 = 0xA4 (M_Frac[23:16])
 - e. Register 8 = 0x42 (M_Int[2:0],M_Frac[28:24])
 - f. Register 9 = 0x05 (M_Int[8:3])
 - g. Register 10 = 0x2A
 - h. Register 11 = 0x00
8. Calibrate the VCO by writing Register 132, bit 0 to a 1.
9. Enable the output by writing Register 132, bit 2 to a 1.

4. All-Digital PLL Applications

The Si514 uses a high resolution divider M that enables fine frequency adjustments with resolution better than 0.026 parts per billion. Fine frequency adjustments are useful when making frequency corrections that compensate for changing ambient conditions, long term aging or when locking the Si514 to an input clock reference. Figure 3 shows a typical implementation using a system IC such as an FPGA to control the output of the Si514 in a phase-locked application. Refer to “AN575: An Introduction to FPGA-Based ADPLLs” for more information.

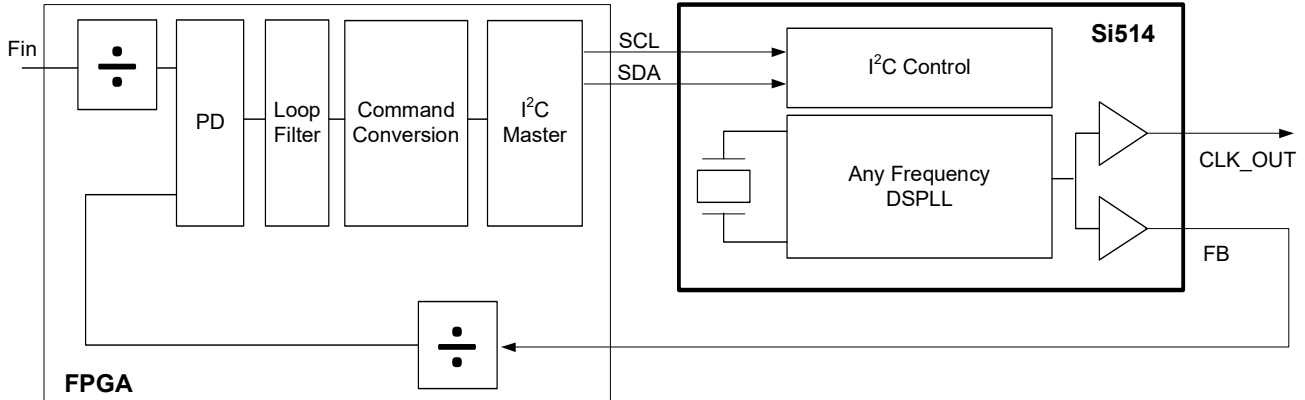


Figure 3. All-Digital PLL Application Using Si514 with Dual CMOS Output

Since small frequency changes must be within ± 1000 ppm of the center frequency, HS_DIV and LS_DIV remain constant. The below expression can be used to calculate a new M_2 divider value based on a desired output frequency shift, where ΔF_{OUT} is in ppm.

$$M_2 = M_1(1 - \Delta F_{OUT} \times 10^{-6})$$

Some systems, particularly those that use feedback control, can simplify the computation by implementing an approximate frequency change based on toggling a bit position or adding/subtracting a bit to the existing M_Frac value. Since M ranges approximately $\pm 10\%$ between 65.04065041 and 78.17385866, the effect of changing M_Frac by a single bit depends only slightly on the absolute value of M.

For $M=71$ near the midpoint of the range, toggling $M_Frac[0]$ changes the output frequency by 0.026 ppb. Each higher order bit doubles the influence such that toggling $M_Frac[1]$ is 0.052 ppb, $M_Frac[2]$ is 0.1 ppb, etc. Figure 4 shows this trend across multiple registers generalized to $M_Frac[N]$. Coarse changes greater than ± 1.7 ppm are possible but most applications require finer transitions. Toggling each bit involves incrementing or decrementing the bit position. Writing $M_Int[8:3]$ in register 9 completes the operation.

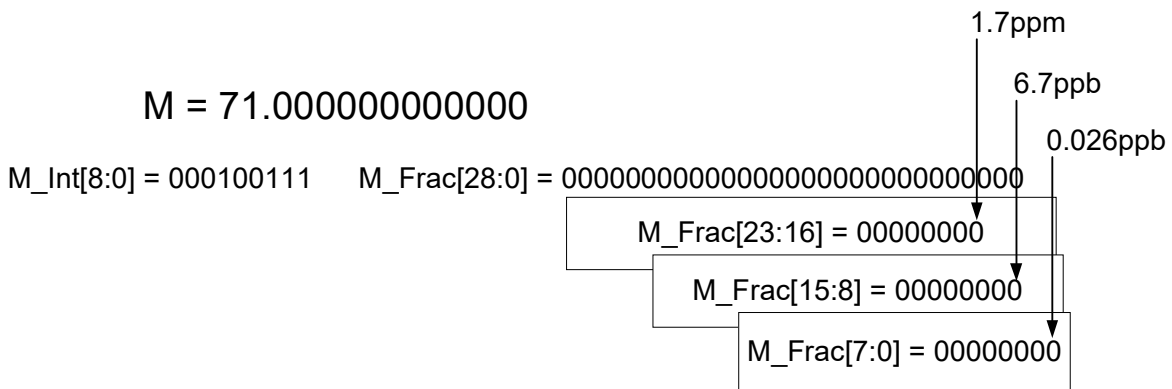


Figure 4. Output Frequency Change When Toggling $M_Frac[N]$, $M=71$

5. User Interface

5.1. Register Map

Table 14 displays the Si514 user register map. Registers not shown are reserved. Registers with reserved bits are read-modify-write.

Table 14. User Register Map

Address	Bit							
	7	6	5	4	3	2	1	0
0	LP1[3:0]				LP2[3:0]			
5	M_Frac [7:0]							
6	M_Frac [15:8]							
7	M_Frac [23:16]							
8	M_Int [2:0]			M_Frac [28:24]				
9			M_Int [8:3]					
10	HS_DIV [7:0]							
11		LS_DIV [2:0]					HS_DIV [9:8]	
14			OE_STATE [1:0]					
128	RST							
132						OE		FCAL

Si514

5.2. Register Detailed Description

Note: Registers not shown are reserved. Registers with reserved bits are read-modify-write.

Register 0.

Bit	7	6	5	4	3	2	1	0
Name	LP1[3:0]				LP2[3:0]			
Type	R/W				R/W			
Default	Varies				Varies			

Bit	Name	Function
7:4	LP1[3:0]	Sets loop compensation factor LP1. Value depends on VCO frequency.
3:0	LP2[3:0]	Sets loop compensation factor LP2. Value depends on VCO frequency.

Register 5.

Bit	7	6	5	4	3	2	1	0
Name	M_Frac[7:0]							
Type	R/W							
Default	Varies							

Bit	Name	Function
7:0	M_Frac[7:0]	Fractional part of feedback divider M that sets up the output frequency. Frequency updates take effect when M_Int[8:3] is written.

Register 6.

Bit	7	6	5	4	3	2	1	0
Name	M_Frac[15:8]							
Type	R/W							
Default	Varies							

Bit	Name	Function
7:0	M_Frac[15:8]	Fractional part of feedback divider M that sets up the output frequency. Frequency updates take effect when M_Int[8:3] is written.

Register 7.

Bit	7	6	5	4	3	2	1	0
Name	M_Frac[23:16]							
Type	R/W							
Default	Varies							

Bit	Name	Function
7:0	M_Frac[23:16]	Fractional part of feedback divider M that sets up the output frequency. Frequency updates take effect when M_Int[8:3] is written.

Register 8.

Bit	7	6	5	4	3	2	1	0
Name	M_Int[2:0]			M_Frac[28:24]				
Type	R/W			R/W				
Default	Varies			Varies				

Bit	Name	Function
7:5	M_Int[2:0]	Integer part of feedback divider M that sets the output frequency. Frequency updates take effect when M_Int[8:3] is written.
4:0	M_Frac[28:24]	Fractional part of feedback divider M that sets up the output frequency. Frequency updates take effect when M_Int[8:3] is written.

Si514

Register 9.

Bit	7	6	5	4	3	2	1	0
Name	M_Int[8:3]							
Type	R/W	R/W				R/W		
Default	Varies							

Bit	Name	Function
7:6	Reserved	
5:0	M_Int[8:3]	Integer part of feedback divider M that sets the output frequency. Frequency updates take effect when M_Int[8:3] is written.

Register 10.

Bit	7	6	5	4	3	2	1	0
Name	HS_DIV[7:0]							
Type	R/W							
Default	Varies							

Bit	Name	Function
7:0	HS_DIV[7:0]	Integer divider that divides VCO frequency and provides output to LS_DIV. Follow the large frequency change procedure when updating. The allowed values are even numbers in the range from 10 to 1022 (i.e., 10, 12, 14, 16, ..., 1022). The decimal value represents the actual divide value (i.e. 12 means divide-by-12).

Register 11.

Bit	7	6	5	4	3	2	1	0	
Name		LS_DIV[2:0]						HS_DIV[9:8]	
Type	R/W	R/W				R/W	R/W	R/W	
Default		Varies						Varies	

Bit	Name	Function
7	Reserved	
6:4	LS_DIV[2:0]	Last output divider stage. Used during large frequency changes. To update, follow large frequency change procedure. LS_DIV value updates asynchronously. 000: divide-by-1 001: divide-by-2 010: divide-by-4 011: divide-by-8 100: divide-by-16 101: divide-by-32 All others reserved.
3:2	Reserved	
1:0	HS_DIV[9:8]	Integer divider that divides VCO frequency and provides output to LS-DIV. Follow the large frequency change procedure when updating. The allowed values are even numbers in the range from 10 to 1022 (i.e., 10, 12, 14, 16, ..., 1022). The decimal value represents the actual divide value (i.e., 12 means divide-by-12).

Register 14.

Bit	7	6	5	4	3	2	1	0
Name			OE_STATE[1:0]					
Type	R/W	R/W	R/W		R/W	R/W	R/W	R/W
Default			0	0				

Bit	Name	Function
7:6	Reserved	
5:4	OE_STATE[1:0]	Sets logic state of output when output disabled. 00: high impedance 10: logic low when output disabled 01: logic high when output disabled 11: reserved
3:0	Reserved	

Si514

Register 128.

Bit	7	6	5	4	3	2	1	0
Name	RST							
Type	R/W	R/W	R/W	R/W	R/W	R/W	R/W	R/W
Default	0							

Bit	Name	Function
7	RST	Global Reset. Resets all register values to default values. Self-clearing.
6:0	Reserved	

Register 132.

Bit	7	6	5	4	3	2	1	0
Name						OE		FCAL
Type	R/W	R/W	R/W	R/W	R/W	R/W	R/W	R/W
Default						1		0

Bit	Name	Function
7:3	Reserved	
2	OE	Output Enable. OE can stop in high, low or high impedance state. 1: Output driver enabled. 0: Output driver powered down. OE_STATE register determines output state when disabled.
1	Reserved	
0	FCAL	Initiates frequency calibration cycle. Necessary when making large frequency changes. Frequency calibration cycle takes 10 msec maximum. To prevent intermediate frequencies on the output, set disable output using OE register. Self-clearing.

5.3. I²C Interface

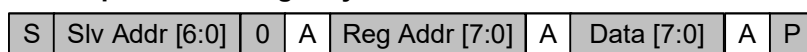
Configuration and operation of the Si514 is controlled by reading and writing to the RAM space using the I²C interface. The device operates in slave mode with 7-bit addressing and can operate in Standard-Mode (100 kbps) or Fast-Mode (400 kbps). Burst data transfer with auto address increments are also supported.

The I²C bus consists of a bidirectional serial data line (SDA) and a serial clock input (SCL). Both the SDA and SCL pins must be connected to the VDD supply via an external pull-up as recommended by the I²C specification. The Si514 7-bit I²C slave address is user-customized during the part number configuration process. See "6. Pin Descriptions" on page 27 for more details.

Data is transferred MSB first in 8-bit words as specified by the I²C specification. A write command consists of a 7-bit device (slave) address + a write bit, an 8-bit register address, and 8 bits of data as shown in Figure 5.

A write burst operation is also shown where every additional data word is written using an auto-incremented address.

Write Operation – Single Byte



Write Operation - Burst (Auto Address Increment)

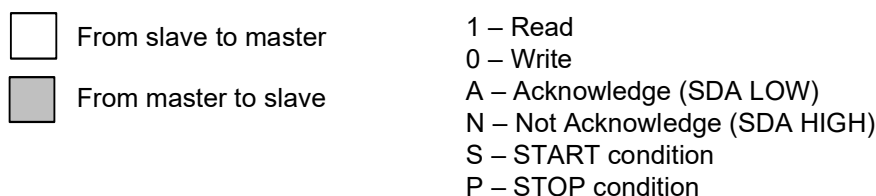
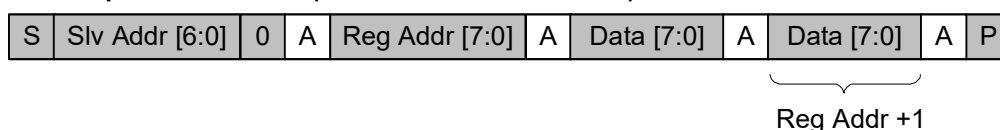
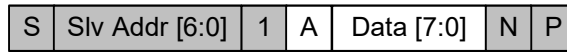
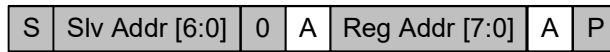


Figure 5. I²C Write Operation

A read operation is performed in two stages. A data write is used to set the register address, then a data read is performed to retrieve the data from the set address. A read burst operation is also supported. This is shown in Figure 6.

Read Operation – Single Byte



Read Operation - Burst (Auto Address Increment)

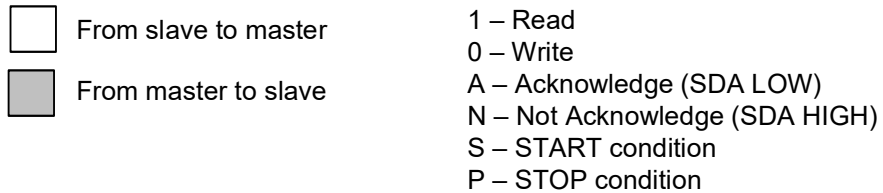
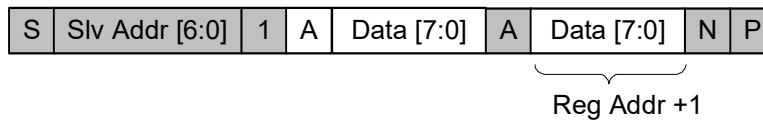
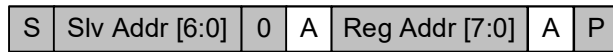


Figure 6. I²C Read Operation

The timing specifications and timing diagram for the I²C bus is compatible with the I²C-Bus standard. SDA timeout is supported for compatibility with SMBus interfaces.

The I²C bus can be operated at a bus voltage of 1.71 to 3.63 V and is 3.3 V tolerant.

6. Pin Descriptions

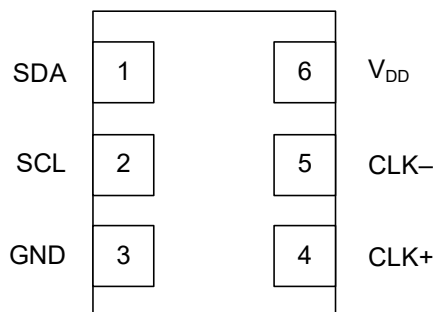


Table 15. Si514 Pin Descriptions

Pin	Name	Function
1	SDA	I ² C Serial Data.
2	SCL	I ² C Serial Clock.
3	GND	Electrical and Case Ground.
4	CLK+	Clock Output.
5	CLK-	Complementary clock output (LVPECL, LVDS, HCSL, and Complementary dual CMOS formats). Clock output for in-phase dual CMOS format. No connect (N/C) for single-ended CMOS format.
6	V _{DD}	Power Supply Voltage.

6.1. Dual CMOS (1:2 Fanout Buffer)

Dual CMOS output format ordering options support either complementary or in-phase output signals. This feature enables replacement of multiple XOs with a single Si514 device.

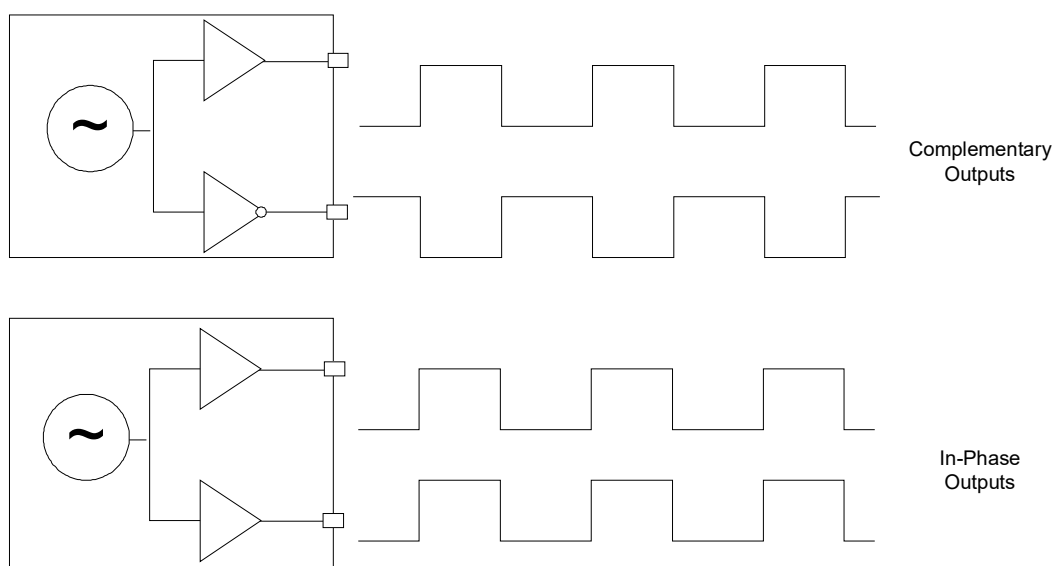


Figure 7. Integrated 1:2 CMOS Buffer Supports Complementary or In-Phase Outputs

7. Ordering Information

The Si514 supports a wide variety of options including startup frequency, stability, output format, and VDD. Specific device configurations are programmed into the Si514 at time of shipment. Configurations can be specified using the Part Number Configuration chart below. Skyworks Solutions provides a web browser-based part number configuration utility to simplify this process. To access this tool refer to www.skyworksinc.com/products/timing-oscillators and click “Customize” in the product table. The Si514 XO series is supplied in industry-standard, RoHS-compliant, 2.5 x 3.2 mm, 3.2 x 5.0 mm, and 5 x 7 mm packages. Tape and reel packaging is an ordering option.

Series	Output Format	Package
514	LVPECL, LVDS, HCSSL, CMOS, Dual CMOS	6-pin

A = Revision: A
 G = Temp Range: -40°C to 85°C
 R = Tape & Reel; Blank = Coil Tape

1st Option Code:
 Output Format

	VDD	Output Format
A	3.3V	LVPECL
B	3.3V	LVDS
C	3.3V	CMOS
D	3.3V	HCSSL
E	2.5V	LVPECL
F	2.5V	LVDS
G	2.5V	CMOS
H	2.5V	HCSSL
J	1.8V	LVDS
K	1.8V	CMOS
L	1.8V	HCSSL
M	3.3V	Dual CMOS (In-phase)
N	3.3V	Dual CMOS (Complementary)
P	2.5V	Dual CMOS (In-phase)
Q	2.5V	Dual CMOS (Complementary)
R	1.8V	Dual CMOS (In-phase)
S	1.8V	Dual CMOS (Complementary)



3rd Option Code:
 Frequency Grade

	CMOS (MHz)	LVPECL, LVDS, HCSSL (MHz)
A	0.1 to 212.5	0.1 to 250
B	0.1 to 170	0.1 to 170
C	0.1 to 125	0.1 to 125

Package Option

	Dimensions
A	5 x 7 mm
B	3.2 x 5 mm
C	2.5 x 3.2 mm

2nd Option Code:
 Frequency Stability

	Total	Temperature
A	±100ppm	±50ppm
B	±50ppm	±25ppm
C	±30ppm	±20ppm

6-digit Frequency and Default I²C Address Code

Code	Description
xxxxxx	The Si514 supports a user-defined start-up frequency which must be in the same range as specified by the Frequency Grade code. A user-defined, 7-bit I ² C address is supported. Each unique start-up frequency/I ² C address combination is assigned a 6-digit code by: (see ** below).

** www.skyworksinc.com/en/application-pages/timing-lookup-customize

Figure 8. Part Number Convention

Example orderable part number: 514ECB000107AAG supports 2.5 V LVPECL, ±30 ppm total stability, user programmable output frequency range from 100 kHz to 170 MHz, 5x7 mm package and -40 to 85 °C temperature range. The frequency code designates 10 MHz startup with I²C address of 0x55. Refer to www.silabs.com/VCXO lookup to look up the attributes of any Skyworks Solutions orderable XO/VCXO part number.

Note: CMOS and Dual CMOS maximum frequency is 212.5 MHz.

8. Package Outline Diagram: 5 x 7 mm, 6-pin

Figure 9 illustrates the 5 x 7 mm, 6-pin package details for the Si514. Table 16 lists the values for the dimensions shown in the illustration.

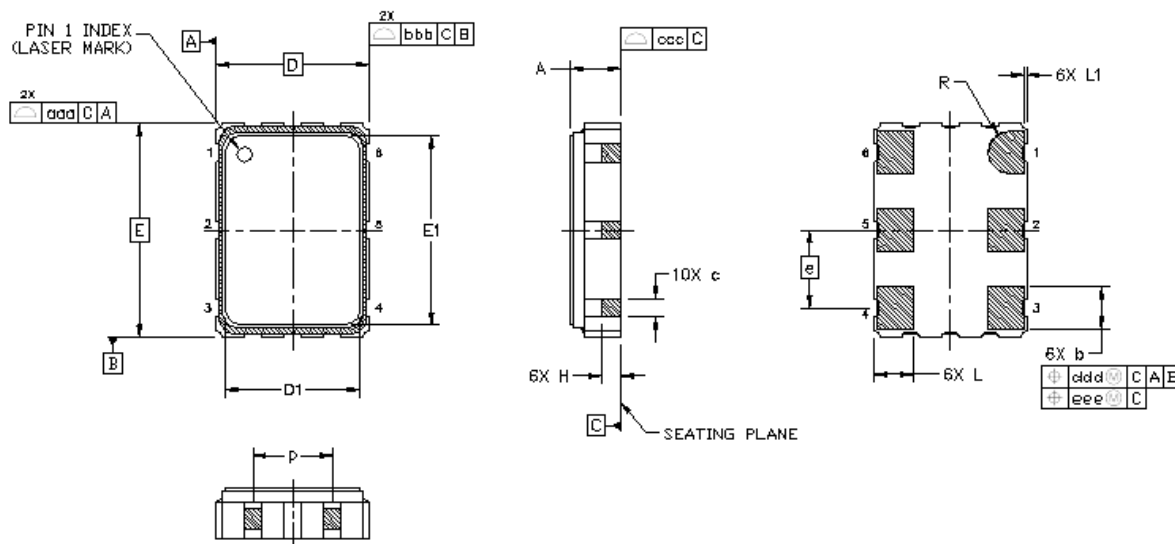


Figure 9. Si514 Outline Diagram

Table 16. Package Diagram Dimensions (mm)

Dimension	Min	Nom	Max
A	1.50	1.65	1.80
b	1.30	1.40	1.50
c	0.50	0.60	0.70
D	5.00 BSC		
D1	4.30	4.40	4.50
e	2.54 BSC		
E	7.00 BSC		
E1	6.10	6.20	6.30
H	0.55	0.65	0.75
L	1.17	1.27	1.37
L1	0.05	0.10	0.15
p	1.80	—	2.60
R	0.70 REF		
aaa	0.15		
bbb	0.15		
ccc	0.10		
ddd	0.10		
eee	0.05		
Notes:			
1. All dimensions shown are in millimeters (mm) unless otherwise noted.			
2. Dimensioning and Tolerancing per ANSI Y14.5M-1994.			

9. PCB Land Pattern: 5 x 7 mm, 6-pin

Figure 10 illustrates the 5 x 7 mm, 6-pin PCB land pattern for the Si514. Table 17 lists the values for the dimensions shown in the illustration.

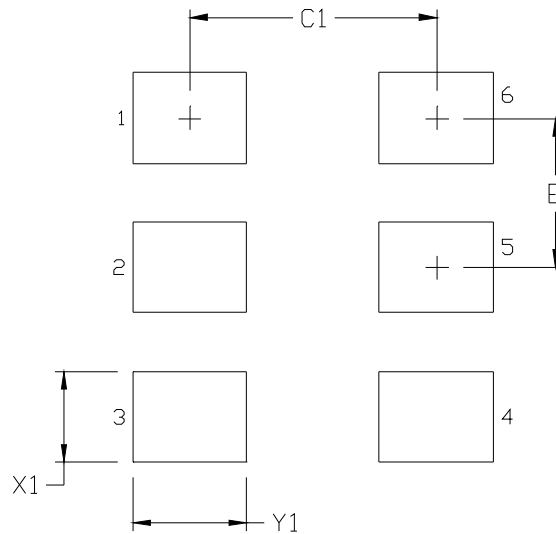


Figure 10. Si514 PCB Land Pattern

Table 17. PCB Land Pattern Dimensions (mm)

Dimension	(mm)
C1	4.20
E	2.54
X1	1.55
Y1	1.95

Notes:

General

1. All dimensions shown are in millimeters (mm) unless otherwise noted.
2. Dimensioning and Tolerancing is per the ANSI Y14.5M-1994 specification.
3. This Land Pattern Design is based on the IPC-7351 guidelines.
4. All dimensions shown are at Maximum Material Condition (MMC). Least Material Condition (LMC) is calculated based on a Fabrication Allowance of 0.05 mm.

Solder Mask Design

5. All metal pads are to be non-solder mask defined (NSMD). Clearance between the solder mask and the metal pad is to be 60 μm minimum, all the way around the pad.

Stencil Design

6. A stainless steel, laser-cut and electro-polished stencil with trapezoidal walls should be used to assure good solder paste release.
7. The stencil thickness should be 0.125 mm (5 mils).
8. The ratio of stencil aperture to land pad size should be 1:1.

Card Assembly

9. A No-Clean, Type-3 solder paste is recommended.
10. The recommended card reflow profile is per the JEDEC/IPC J-STD-020 specification for Small Body Components.

10. Package Outline Diagram: 3.2 x 5.0 mm, 6-pin

Figure illustrates the 3.2 x 5 mm package details for the Si514. Table 18 lists the values for the dimensions shown in the illustration.

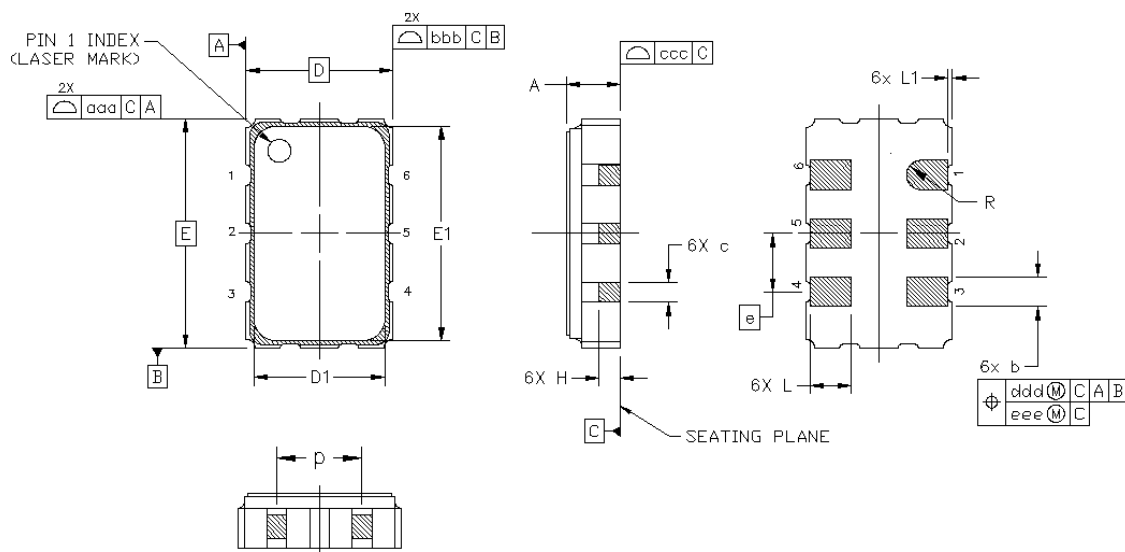


Figure 11. Si514 Outline Diagram

Table 18. Package Diagram Dimensions (mm)

Dimension	Min	Nom	Max
A	1.06	1.17	1.33
b	0.54	0.64	0.74
c	0.35	0.45	0.55
D	3.20 BSC		
D1	2.55	2.60	2.65
e	1.27 BSC		
E	5.00 BSC		
E1	4.35	4.40	4.45
H	0.45	0.55	0.65
L	0.80	0.90	1.00
L1	0.05	0.10	0.15
p	1.17	1.27	1.37
R	0.32 REF		
aaa	0.15		
bbb	0.15		
ccc	0.10		
ddd	0.10		
eee	0.05		
Notes:			
1.	All dimensions shown are in millimeters (mm) unless otherwise noted.		
2.	Dimensioning and Tolerancing per ANSI Y14.5M-1994.		

11. PCB Land Pattern: 3.2 x 5.0 mm, 6-pin

Figure 12 illustrates the 3.2 x 5.0 mm PCB land pattern for the Si514. Table 19 lists the values for the dimensions shown in the illustration.

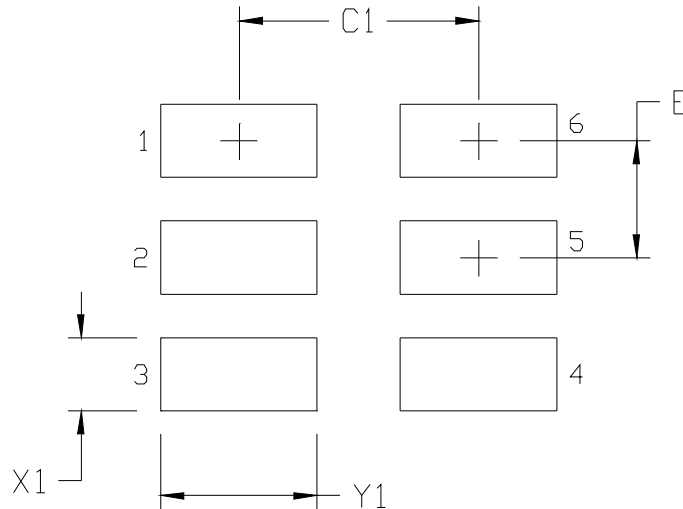


Figure 12. Si514 Recommended PCB Land Pattern

Table 19. PCB Land Pattern Dimensions (mm)

Dimension	(mm)
C1	2.60
E	1.27
X1	0.80
Y1	1.70

Notes:

General

- All dimensions shown are in millimeters (mm) unless otherwise noted.
- Dimensioning and Tolerancing is per the ANSI Y14.5M-1994 specification.
- This Land Pattern Design is based on the IPC-7351 guidelines.
- All dimensions shown are at Maximum Material Condition (MMC). Least Material Condition (LMC) is calculated based on a Fabrication Allowance of 0.05 mm.

Solder Mask Design

- All metal pads are to be non-solder mask defined (NSMD). Clearance between the solder mask and the metal pad is to be 60 μm minimum, all the way around the pad.

Stencil Design

- A stainless steel, laser-cut and electro-polished stencil with trapezoidal walls should be used to assure good solder paste release.
- The stencil thickness should be 0.125 mm (5 mils).
- The ratio of stencil aperture to land pad size should be 1:1.

Card Assembly

- A No-Clean, Type-3 solder paste is recommended.
- The recommended card reflow profile is per the JEDEC/IPC J-STD-020 specification for Small Body Components.

12. Package Outline Diagram: 2.5 x 3.2 mm, 6-pin

Figure 13 illustrates the package details for the 2.5 x 3.2 mm Si514. Table 20 lists the values for the dimensions shown in the illustration.

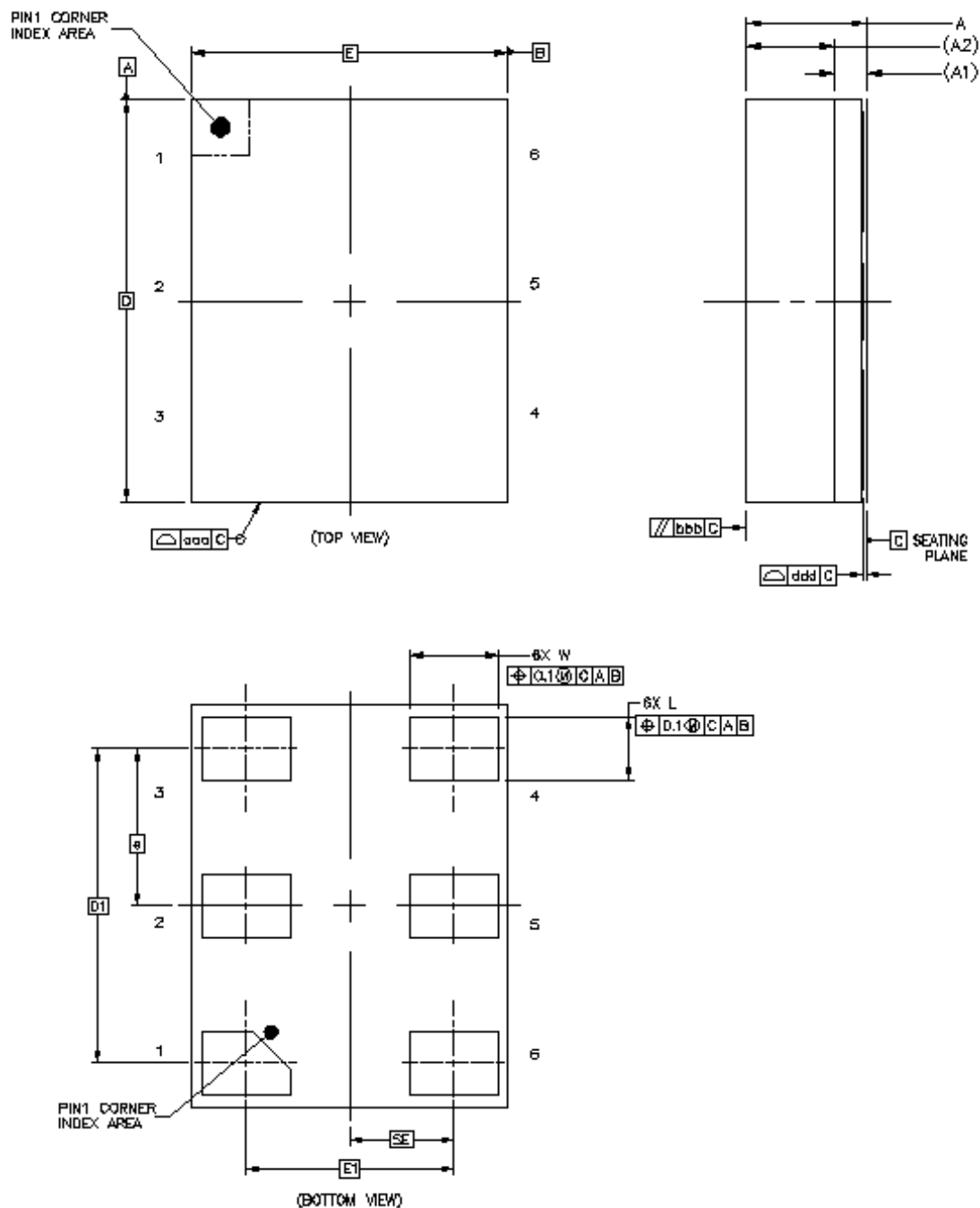


Figure 13. Si514 Outline Diagram

Table 20. Package Diagram Dimensions (mm)

Dimension	Min	Nom	Max
A	—	—	1.1
A1	0.26 REF		
A2	0.7 REF		
W	0.65	0.7	0.75
D	3.20 BSC		
e	1.25 BSC		
E	2.50 BSC		
M	0.30 BSC		
L	0.45	0.5	0.55
D1	2.5 BSC		
E1	1.65 BSC		
SE	0.825 BSC		
aaa	0.1		
bbb	0.2		
ddd	0.08		
Notes:			
1. All dimensions shown are in millimeters (mm) unless otherwise noted.			
2. Dimensioning and Tolerancing per ANSI Y14.5M-1994.			

13. PCB Land Pattern: 2.5 x 3.2 mm, 6-pin

Figure 14 illustrates the 2.5 x 3.2 mm PCB land pattern for the Si514. Table 21 lists the values for the dimensions shown in the illustration.

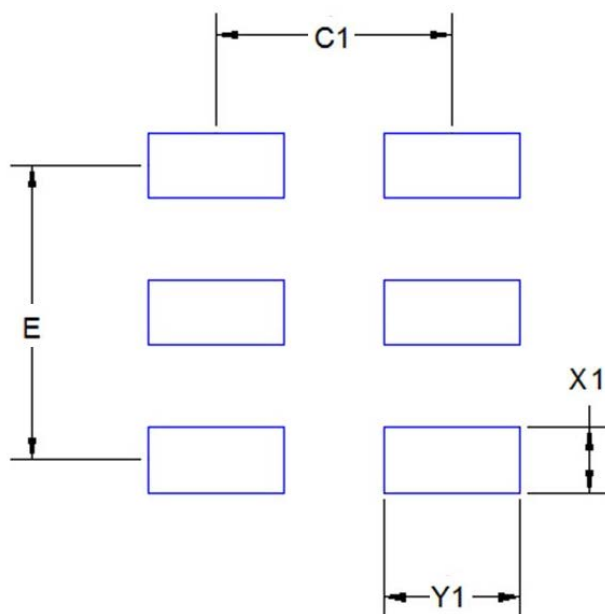


Figure 14. Si514 Recommended PCB Land Pattern

Table 21. PCB Land Pattern Dimensions (mm)

Dimension	(mm)
C1	1.9
E	2.50
X1	0.70
Y1	1.05

Notes:

General

- All dimensions shown are at Maximum Material Condition (MMC). Least Material Condition (LMC) is calculated based on a Fabrication Allowance of 0.05 mm.
- This Land Pattern Design is based on the IPC-7351 guidelines.

Solder Mask Design

- All metal pads are to be non-solder mask defined (NSMD). Clearance between the solder mask and the metal pad is to be 60 μm minimum, all the way around the pad.

Stencil Design

- A stainless steel, laser-cut and electro-polished stencil with trapezoidal walls should be used to assure good solder paste release.
- The stencil thickness should be 0.125 mm (5 mils).
- The ratio of stencil aperture to land pad size should be 1:1 for all perimeter pins.

Card Assembly

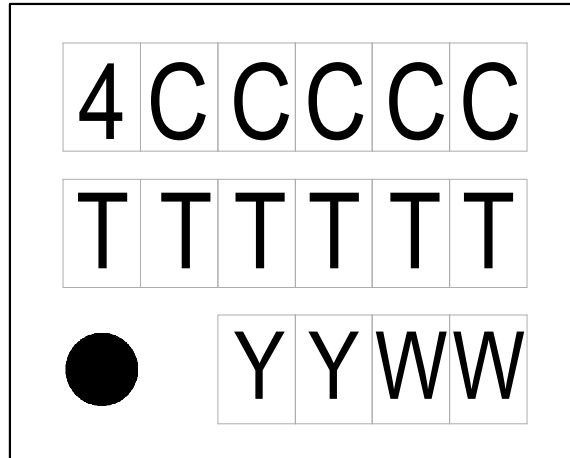
- A No-Clean, Type-3 solder paste is recommended.
- The recommended card reflow profile is per the JEDEC/IPC J-STD-020 specification for Small Body Components.

Si514

14. Top Marking

Use the utility located at: www.skyworksinc.com/en/application-pages/timing-lookup-customize to cross-reference the marked code to a specific device configuration.

14.1. Si514 Top Marking



14.2. Top Marking Explanation

Mark Method:	Laser	
Line 1 Marking:	4 = Si514 CCCCC = Mark Code	4CCCCC
Line 2 Marking:	TTTTTT = Assembly Manufacturing Code	TTTTTT
Line 3 Marking:	Pin 1 indicator.	Circle with 0.5 mm diameter; left-justified
	YY = Year. WW = Work week. Characters correspond to the year and work week of package assembly.	YYWW

REVISION HISTORY

Revision 1.2

June, 2018

- Changed “Trays” to “Coil Tape” in Ordering Guide.

Revision 1.1

December, 2017

- Added new 2.5 x 3.2 mm package.

Revision 1.0

- Updated Table 1 on page 3.
 - Updates to supply current typical and maximum values for CMOS, LVDS, LVPECL and HCSL.
 - CMOS frequency test condition corrected to 100 MHz.
 - Updates to OE VIH minimum and VIL maximum values.
- Updated Table 2 on page 3.
 - Dual CMOS nominal frequency maximum added.
 - Total stability footnotes clarified for 10 year aging at 40 °C.
 - Disable time maximum values updated.
 - Enable time parameter added.
- Updated Table 3 on page 4.
 - CMOS output rise / fall time typical and maximum values updated.
 - LVPECL/HCSL output rise / fall time maximum value updated.
 - LVPECL output swing maximum value updated.
 - LVDS output common mode typical and maximum values updated.
 - HCSL output swing maximum value updated.
 - Duty cycle minimum and maximum values tightened to 48/52%.
- Updated Table 5 on page 6.
 - Phase jitter test condition and maximum value updated.
 - Phase noise typical values updated.
 - Additive RMS jitter due to external power supply noise typical values updated.
 - Footnote 3 updated limiting the VDD to 2.5/3.3V
- Added Tables 6, 7, 8 for LVDS, HCSL, CMOS, and Dual CMOS operations.
- Moved Absolute Maximum Ratings table.
- Added note to Figure 8 clarifying CMOS and Dual CMOS maximum frequency.
- Updated Figure 9 outline diagram to correct pinout.
- Updated “14. Top Marking” section and moved to page 36.



SKYWORKS®

ClockBuilder Pro

Customize Skyworks clock generators, jitter attenuators and network synchronizers with a single tool. With CBPro you can control evaluation boards, access documentation, request a custom part number, export for in-system programming and more!

www.skyworksinc.com/CBPro



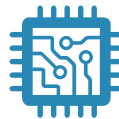
Portfolio

www.skyworksinc.com/ia/timing



SW/HW

www.skyworksinc.com/CBPro



Quality

www.skyworksinc.com/quality



Support & Resources

www.skyworksinc.com/support

Copyright © 2021 Skyworks Solutions, Inc. All Rights Reserved.

Information in this document is provided in connection with Skyworks Solutions, Inc. ("Skyworks") products or services. These materials, including the information contained herein, are provided by Skyworks as a service to its customers and may be used for informational purposes only by the customer. Skyworks assumes no responsibility for errors or omissions in these materials or the information contained herein. Skyworks may change its documentation, products, services, specifications or product descriptions at any time, without notice. Skyworks makes no commitment to update the materials or information and shall have no responsibility whatsoever for conflicts, incompatibilities, or other difficulties arising from any future changes.

No license, whether express, implied, by estoppel or otherwise, is granted to any intellectual property rights by this document. Skyworks assumes no liability for any materials, products or information provided hereunder, including the sale, distribution, reproduction or use of Skyworks products, information or materials, except as may be provided in Skyworks' Terms and Conditions of Sale.

THE MATERIALS, PRODUCTS AND INFORMATION ARE PROVIDED "AS IS" WITHOUT WARRANTY OF ANY KIND, WHETHER EXPRESS, IMPLIED, STATUTORY, OR OTHERWISE, INCLUDING FITNESS FOR A PARTICULAR PURPOSE OR USE, MERCHANTABILITY, PERFORMANCE, QUALITY OR NON-INFRINGEMENT OF ANY INTELLECTUAL PROPERTY RIGHT; ALL SUCH WARRANTIES ARE HEREBY EXPRESSLY DISCLAIMED. SKYWOKS DOES NOT WARRANT THE ACCURACY OR COMPLETENESS OF THE INFORMATION, TEXT, GRAPHICS OR OTHER ITEMS CONTAINED WITHIN THESE MATERIALS. SKYWOKS SHALL NOT BE LIABLE FOR ANY DAMAGES, INCLUDING BUT NOT LIMITED TO ANY SPECIAL, INDIRECT, INCIDENTAL, STATUTORY, OR CONSEQUENTIAL DAMAGES, INCLUDING WITHOUT LIMITATION, LOST REVENUES OR LOST PROFITS THAT MAY RESULT FROM THE USE OF THE MATERIALS OR INFORMATION, WHETHER OR NOT THE RECIPIENT OF MATERIALS HAS BEEN ADVISED OF THE POSSIBILITY OF SUCH DAMAGE.

Skyworks products are not intended for use in medical, lifesaving or life-sustaining applications, or other equipment in which the failure of the Skyworks products could lead to personal injury, death, physical or environmental damage. Skyworks customers using or selling Skyworks products for use in such applications do so at their own risk and agree to fully indemnify Skyworks for any damages resulting from such improper use or sale.

Customers are responsible for their products and applications using Skyworks products, which may deviate from published specifications as a result of design defects, errors, or operation of products outside of published parameters or design specifications. Customers should include design and operating safeguards to minimize these and other risks. Skyworks assumes no liability for applications assistance, customer product design, or damage to any equipment resulting from the use of Skyworks products outside of Skyworks' published specifications or parameters.

Skyworks, the Skyworks symbol, Sky5®, SkyOne®, SkyBlue™, Skyworks Green™, Clockbuilder®, DSPLL®, ISOModem®, ProSLIC®, and SiPHY® are trademarks or registered trademarks of Skyworks Solutions, Inc. or its subsidiaries in the United States and other countries. Third-party brands and names are for identification purposes only and are the property of their respective owners. Additional information, including relevant terms and conditions, posted at www.skyworksinc.com, are incorporated by reference.

Skyworks Solutions, Inc. | Nasdaq: SWKS | sales@skyworksinc.com | www.skyworksinc.com

USA: 781-376-3000 | Asia: 886-2-2735 0399 | Europe: 33 (0)1 43548540 | [in](#) [f](#) [t](#) [v](#)