



CY7C4261V CY7C4281V/CY7C4291V

16 K / 64 K / 128 K × 9 Low-Voltage Deep Sync™ FIFOs

Features

- 3.3 V operation for low-power consumption and easy integration into low-voltage systems
- High-speed, low-power, first-in first-out (FIFO) memories
- 16 K × 9 (CY7C4261V)
- 64 K × 9 (CY7C4281V)
- 128 K × 9 (CY7C4291V)
- 0.35-micron CMOS for optimum speed or power
- High-speed 100-MHz operation (10-ns read/write cycle times)
- Low power
 - I_{CC} = 25 mA
 - I_{SB} = 4 mA
- Fully asynchronous and simultaneous read and write operation
- Empty, full, and programmable Almost Empty and Almost Full status flags
- Output-enable (\overline{OE}) pin
- Independent read- and write-enable pins
- Supports free-running 50% duty cycle clock inputs
- Width-expansion capability
- Pin-compatible 3.3 V solutions for CY7C4261/81/91
- Pin-compatible density upgrade within the CY7C42X1V family
- Pb-free packages available

Functional Description

The CY7C4261/81/91V are high-speed, low-power FIFO memories with clocked read and write interfaces. All are nine bits wide. The CY7C4261/81/91V are pin-compatible with the lower densities in the CY7C42x1V Synchronous FIFO family. Programmable features include Almost Full/Almost Empty flags. These FIFOs provide solutions for a wide variety of data buffering needs, including high-speed data acquisition, multiprocessor interfaces, and communications buffering.

Selection Guide

Description		7C4261/81V-10	7C4261/91V-15	Unit
Maximum frequency		100	66.7	MHz
Maximum access time		8	10	ns
Minimum cycle time		10	15	ns
Minimum data or enable setup		3.5	4	ns
Minimum data or enable hold		0	0	ns
Maximum flag delay		8	10	ns
Active power supply current (I _{CC1})	Commercial	25	25	mA

	CY7C4261V	CY7C4281V	CY7C4291V
Density	16 K × 9	64 K × 9	128 K × 9
Package	32-pin PLCC	32-pin PLCC	32-pin PLCC

These FIFOs have 9-bit input and output ports that are controlled by separate clock and enable signals. The input port is controlled by a free-running clock (WCLK) and two write-enable pins (WEN1, WEN2/LD).

When $\overline{WEN1}$ is LOW and WEN2/ \overline{LD} is HIGH, data is written into the FIFO on the rising edge of the WCLK signal. While WEN1 and WEN2/LD are held active, data is continually written into the FIFO on each WCLK cycle. The output port is controlled in a similar manner by a free-running read clock (RCLK) and two read-enable pins (REN1, REN2). In addition, the CY7C4261/81/91V has an output-enable pin (\overline{OE}). The read (RCLK) and write (WCLK) clocks may be tied together for single-clock operation or the two clocks may be run independently for asynchronous read/write applications. Clock frequencies up to 100 MHz are achievable. Depth expansion is possible using one enable input for system control, while the other enable is controlled by expansion logic to direct the flow of data.

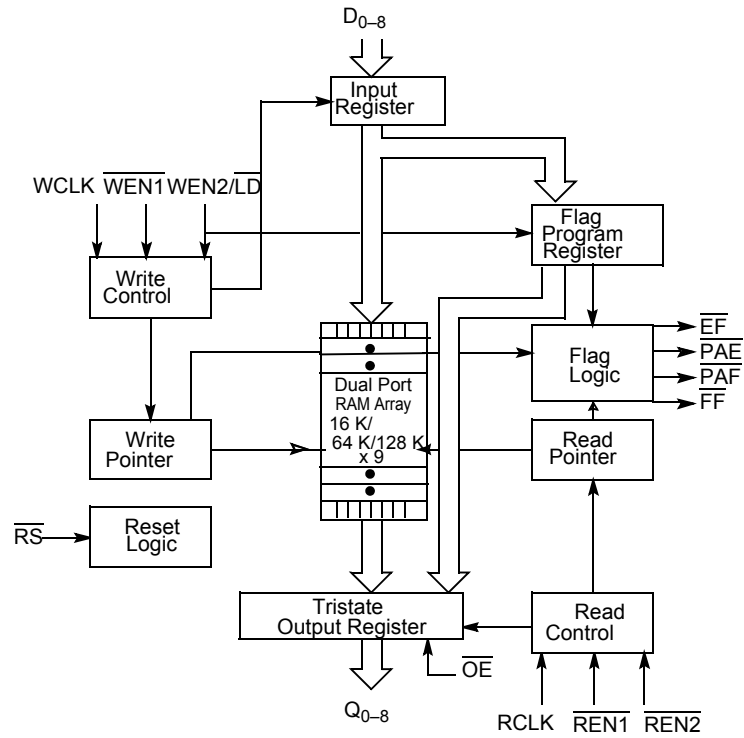
The CY7C4261/81/91V provides four status pins: Empty, Full, Programmable Almost Empty, and Programmable Almost Full. The Almost Empty/Almost Full flags are programmable to single word granularity. The programmable flags default to Empty +7 and Full -7.

The flags are synchronous, that is, they change state relative to either the read clock (RCLK) or the write clock (WCLK). When entering or exiting the Empty and Almost Empty states, the flags are updated exclusively by the RCLK. The flags denoting Almost Full, and Full states are updated exclusively by WCLK. The synchronous flag architecture guarantees that the flags maintain their status for at least one cycle.

All configurations are fabricated using an advanced 0.35 μ CMOS technology. Input ESD protection is greater than 2001 V, and latch-up is prevented by the use of guard rings.

For a complete list of related documentation, [click here](#).

Logic Block Diagram

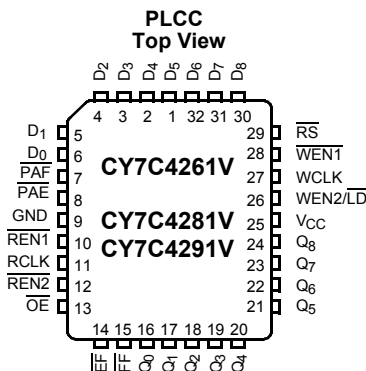


Contents

Pin Configuration	4	Switching Characteristics	10
Pin Definitions	4	Switching Waveforms	11
Architecture	5	Ordering Information	18
Resetting the FIFO	5	Ordering Code Definitions	18
FIFO Operation	5	Package Diagram	19
Programming	5	Acronyms	20
Programmable Flag (PAE, PAF) Operation	6	Document Conventions	20
Width-Expansion Configuration	7	Units of Measure	20
Flag Operation	7	Document History Page	21
Full Flag	7	Sales, Solutions, and Legal Information	23
Empty Flag	7	Worldwide Sales and Design Support	23
Maximum Ratings	8	Products	23
Operating Range	8	PSoC® Solutions	23
Electrical Characteristics	8	Cypress Developer Community	23
Capacitance	8	Technical Support	23
AC Test Loads and Waveforms	9		

Pin Configuration

Figure 1. 32-pin PLCC pinout (Top View)



Pin Definitions

Pin No.	Signal Name	Description	I/O	Description
1–6, 30–32	D ₀₋₈	Data inputs	I	Data inputs for 9-bit bus.
16–24	Q ₀₋₈	Data outputs	O	Data outputs for 9-bit bus.
28	WEN1	Write enable 1	I	The only write enable when device is configured to have programmable flags. Data is written on a LOW-to-HIGH transition of WCLK when WEN1 is asserted and FF is HIGH. If the FIFO is configured to have two write enables, data is written on a LOW-to-HIGH transition of WCLK when WEN1 is LOW and WEN2/LD and FF are HIGH.
26	WEN2/LD Dual mode pin	Write enable 2 Load	I	If HIGH at reset, this pin operates as a second write enable. If LOW at reset, this pin operates as a control to write or read the programmable flag offsets. WEN1 must be LOW and WEN2 must be HIGH to write data into the FIFO. Data will not be written into the FIFO if the FF is LOW. If the FIFO is configured to have programmable flags, WEN2/LD is held LOW to write or read the programmable flag offsets.
10, 12	REN1, REN2	Read enable inputs	I	Enables the device for Read operation. Both REN1 and REN2 must be asserted to allow a read operation.
27	WCLK	Write clock	I	The rising edge clocks data into the FIFO when WEN1 is LOW and WEN2/LD is HIGH and the FIFO is not full. When LD is asserted, WCLK writes data into the programmable flag-offset register.
11	RCLK	Read clock	I	The rising edge clocks data out of the FIFO when REN1 and REN2 are LOW and the FIFO are not Empty. When WEN2/LD is LOW, RCLK reads data out of the programmable flag-offset register.
14	EF	Empty flag	O	When EF is LOW, the FIFO is empty. EF is synchronized to RCLK.
15	FF	Full flag	O	When FF is LOW, the FIFO is full. FF is synchronized to WCLK.
8	PAE	Programmable almost empty	O	When PAE is LOW, the FIFO is almost empty based on the almost empty offset value programmed into the FIFO. PAE is synchronized to RCLK.
7	PAF	Programmable almost full	O	When PAF is LOW, the FIFO is almost full based on the almost full offset value programmed into the FIFO. PAF is synchronized to WCLK.
29	RS	Reset	I	Resets device to empty condition. A reset is required before an initial read or write operation after power-up.
13	OE	Output enable	I	When OE is LOW, the FIFO's data outputs drive the bus to which they are connected. If OE is HIGH, the FIFO's outputs are in High Z (high-impedance) state.

Architecture

The CY7C4261/81/91V consists of an array of 16 K, 64 K, or 128 K words of nine bits each (implemented by a dual-port array of SRAM cells), a read pointer, a write pointer, control signals (RCLK, WCLK, REN1, REN2, WEN1, WEN2, RS), and flags (EF, PAE, PAF, FF).

Resetting the FIFO

Upon power-up, the FIFO must be reset with a Reset (\overline{RS}) cycle. This causes the FIFO to enter the Empty condition signified by \overline{EF} being LOW. All data outputs (Q_{0-8}) go LOW t_{RSF} after the rising edge of \overline{RS} . In order for the FIFO to reset to its default state, the user must not read or write while \overline{RS} is LOW. All flags are guaranteed to be valid t_{RSF} after \overline{RS} is taken LOW.

FIFO Operation

When the $\overline{WEN1}$ signal is active LOW, $\overline{WEN2}$ is active HIGH, and FF is active HIGH, data present on the D_{0-8} pins is written into the FIFO on each rising edge of the WCLK signal. Similarly, when the $\overline{REN1}$ and $\overline{REN2}$ signals are active LOW and EF is active HIGH, data in the FIFO memory will be presented on the Q_{0-8} outputs. New data will be presented on each rising edge of RCLK while $\overline{REN1}$ and $\overline{REN2}$ are active. $\overline{REN1}$ and $\overline{REN2}$ must set up t_{ENS} before RCLK for it to be a valid read function. $\overline{WEN1}$ and $\overline{WEN2}$ must occur t_{ENS} before WCLK for it to be a valid write function.

An output enable (\overline{OE}) pin is provided to three-state the Q_{0-8} outputs when \overline{OE} is asserted. When \overline{OE} is enabled (LOW), data in the output register will be available to the Q_{0-8} outputs after t_{OE} . If devices are cascaded, the \overline{OE} function will only output data on the FIFO that is read enabled.

The FIFO contains overflow circuitry to disallow additional writes when the FIFO is full, and underflow circuitry to disallow additional reads when the FIFO is empty. An empty FIFO maintains the data of the last valid read on its Q_{0-8} outputs even after additional reads occur.

Write Enable 1 ($\overline{WEN1}$). If the FIFO is configured for programmable flags, Write Enable 1 ($\overline{WEN1}$) is the only write enable control pin. In this configuration, when Write Enable 1 ($\overline{WEN1}$) is LOW, data can be loaded into the input register and RAM array on the LOW-to-HIGH transition of every write clock (WCLK). Data is stored in the RAM array sequentially and independently of any on-going read operation.

Write Enable 2/Load ($\overline{WEN2/LD}$). This is a dual-purpose pin. The FIFO is configured at Reset to have programmable flags or to have two write enables, which allows for depth expansion. If Write Enable 2/Load ($\overline{WEN2/LD}$) is set active HIGH at Reset ($\overline{RS} = \text{LOW}$), this pin operates as a second write enable pin.

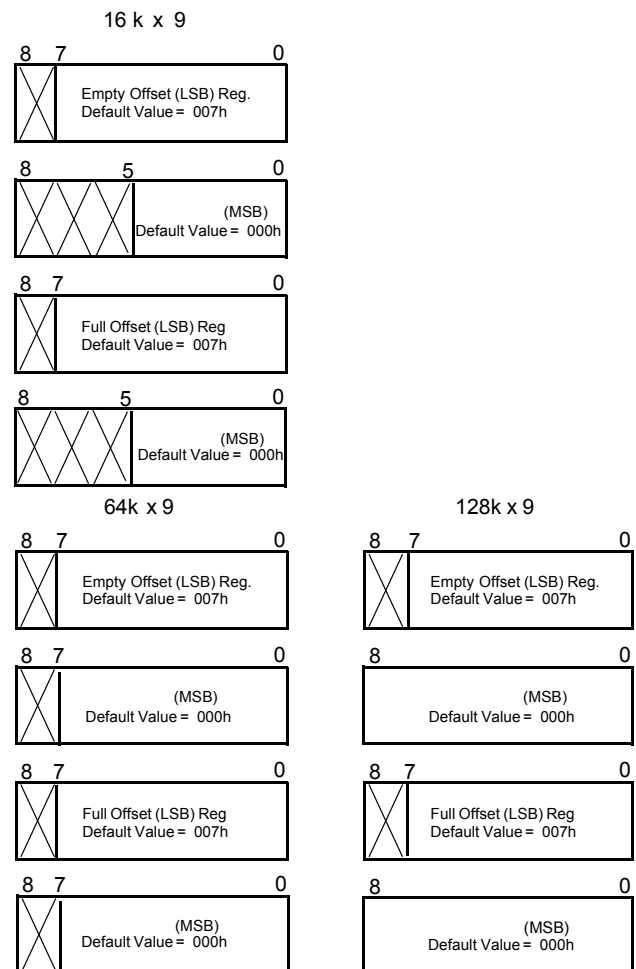
If the FIFO is configured to have two write enables, when Write Enable ($\overline{WEN1}$) is LOW and Write Enable 2/Load ($\overline{WEN2/LD}$) is HIGH, data can be loaded into the input register and RAM array on the LOW-to-HIGH transition of every write clock (WCLK). Data is stored in the RAM array sequentially and independently of any on-going read operation.

Programming

When $\overline{WEN2/LD}$ is held LOW during Reset, this pin is the load (\overline{LD}) enable for flag offset programming. In this configuration, $\overline{WEN2/LD}$ can be used to access the four 9-bit offset registers contained in the CY7C4261/81/91V for writing or reading data to these registers.

When the device is configured for programmable flags and both $\overline{WEN2/LD}$ and $\overline{WEN1}$ are LOW, the first LOW-to-HIGH transition of WCLK writes data from the data inputs to the empty offset least significant bit (LSB) register. The second, third, and fourth LOW-to-HIGH transitions of WCLK store data in the empty offset most significant bit (MSB) register, full offset LSB register, and full offset MSB register, respectively, when $\overline{WEN2/LD}$ and $\overline{WEN1}$ are LOW. The fifth LOW-to-HIGH transition of WCLK while $\overline{WEN2/LD}$ and $\overline{WEN1}$ are LOW writes data to the empty LSB register again. Figure 2 shows the registers sizes and default values for the various device types.

Figure 2. Offset Register Location and Default Values



It is not necessary to write to all the offset registers at one time. A subset of the offset registers can be written; then by bringing the $\overline{WEN2/LD}$ input HIGH, the FIFO is returned to normal read

and write operation. The next time $\overline{WEN2}/\overline{LD}$ is brought LOW, a write operation stores data in the next offset register in sequence.

The contents of the offset registers can be read to the data outputs when $\overline{WEN2}/\overline{LD}$ is LOW and both $\overline{REN1}$ and $\overline{REN2}$ are LOW. LOW-to-HIGH transitions of RCLK read register contents to the data outputs. Writes and reads should not be performed simultaneously on the offset registers.

Programmable Flag (\overline{PAE} , \overline{PAF}) Operation

Whether the flag offset registers are programmed as described in Table 1 or the default values are used, the programmable almost-empty flag (\overline{PAE}) and programmable almost-full flag (\overline{PAF}) states are determined by their corresponding offset registers and the difference between the read and write pointers.

Table 1. Writing the Offset Registers ^[1]

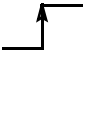

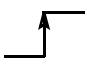

\overline{LD}	\overline{WEN}	WCLK	Selection
0	0		Empty offset (LSB) ← Empty offset (MSB) ← Full offset (LSB) → Full offset (MSB) →
0	1		No operation

Table 1. Writing the Offset Registers (continued) ^[1]

\overline{LD}	\overline{WEN}	WCLK	Selection
1	0		Write into FIFO
1	1		No operation

The number formed by the empty offset least significant bit register and empty offset most significant bit register is referred to as n and determines the operation of \overline{PAE} . \overline{PAE} is synchronized to the LOW-to-HIGH transition of RCLK by one flip-flop and is LOW when the FIFO contains n or fewer unread words. \overline{PAE} is set HIGH by the LOW-to-HIGH transition of RCLK when the FIFO contains $(n+1)$ or greater unread words.

The number formed by the full offset least significant bit register and full offset most significant bit register is referred to as m and determines the operation of \overline{PAF} . \overline{PAF} is synchronized to the LOW-to-HIGH transition of WCLK by one flip-flop and is set LOW when the number of unread words in the FIFO is greater than or equal to CY7C4261V ($16k - m$), CY7C4281V ($64k - m$) and CY7C4291V ($128k - m$). \overline{PAF} is set HIGH by the LOW-to-HIGH transition of WCLK when the number of available memory locations is greater than m .

Table 2. Status Flags

Number of Words in FIFO			\overline{FF}	\overline{PAF}	\overline{PAE}	\overline{EF}
CY7C4261V	CY7C4281V	CY7C4291V				
0	0	0	H	H	L	L
1 to $n^{[2]}$	1 to $n^{[2]}$	1 to $n^{[2]}$	H	H	L	H
$(n + 1)$ to $(16384 - (m + 1))$	$(n + 1)$ to $(65536 - (m + 1))$	$(n + 1)$ to $(131072 - (m + 1))$	H	H	H	H
$(16384 - m)^{[3]}$ to 16383	$(65536 - m)^{[3]}$ to 65535	$(131072 - m)^{[3]}$ to 131071	H	L	H	H
16384	65536	131072	L	L	H	H

Notes

1. The same selection sequence applies to reading from the registers. $\overline{REN1}$ and $\overline{REN2}$ are enabled and a read is performed on the LOW-to-HIGH transition of RCLK.
2. n = Empty Offset ($n = 7$ default value).
3. m = Full Offset ($m = 7$ default value).

Width-Expansion Configuration

Word width may be increased simply by connecting the corresponding input controls signals of multiple devices. A composite flag should be created for each of the end-point status flags (EF and FF). The partial status flags (PAE and PAF) can be detected from any one device. Figure 3 demonstrates a 18-bit word width by using two CY7C42x1Vs. Any word width can be attained by adding additional CY7C42x1Vs.

When the CY7C42x1V is in a Width-Expansion Configuration, the Read Enable (REN2) control input can be grounded (see Figure 3). In this configuration, the Write Enable 2/Load (WEN2/LD) pin is set to LOW at Reset so that the pin operates as a control to load and read the programmable flag offsets.

Flag Operation

The CY7C4261/81/91V devices provide five flag pins to indicate the condition of the FIFO contents. Empty, Full, PAE, and PAF are synchronous.

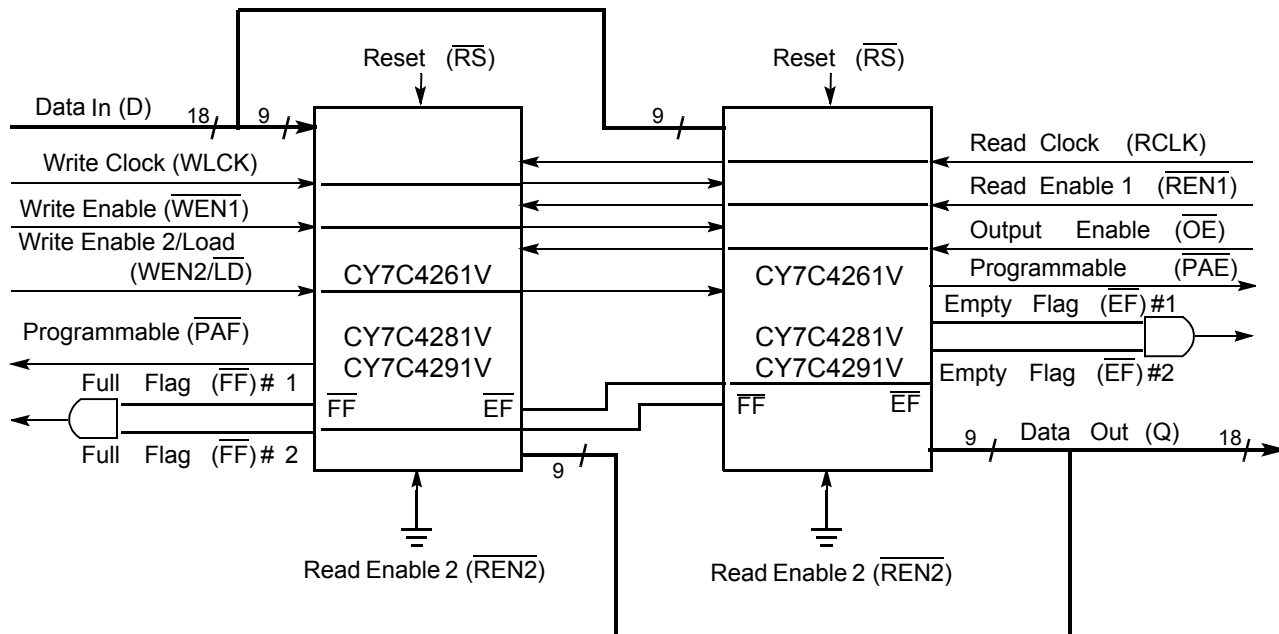
Full Flag

The Full Flag (\overline{FF}) will go LOW when the device is full. Write operations are inhibited whenever \overline{FF} is LOW regardless of the state of WEN1 and WEN2/LD. FF is synchronized to WCLK, i.e., it is exclusively updated by each rising edge of WCLK.

Empty Flag

The Empty Flag (\overline{EF}) will go LOW when the device is empty. Read operations are inhibited whenever \overline{EF} is LOW, regardless of the state of REN1 and REN2. EF is synchronized to RCLK, i.e., it is exclusively updated by each rising edge of RCLK.

Figure 3. Block Diagram of 16 K / 64 K / 128 K × 9 Low-Voltage Deep Sync FIFO Memory used in a Width-Expansion Configuration



Maximum Ratings

Exceeding maximum ratings may shorten the useful life of the device. User guidelines are not tested.

Storage temperature -65 °C to +150 °C
Ambient temperature
with power applied -55 °C to +125 °C
Supply voltage to ground potential -0.5 V to +3.6 V
DC voltage applied to outputs
in High-Z state -0.5 V to $V_{CC} + 0.5 V$

DC input voltage -0.5 V to $V_{CC} + 0.5 V$
Output current into outputs (LOW) 20 mA
Static discharge voltage
(per MIL-STD-883, Method 3015) > 2001 V
Latch-up current > 200 mA

Operating Range

Range	Ambient Temperature	V_{CC} ^[4]
Commercial	0 °C to +70 °C	3.3 V ± 300 mV

Electrical Characteristics

Over the Operating Range

Parameter	Description	Test Conditions	7C4261/81V-10		7C4261/91V-15		Unit	
			Min	Max	Min	Max		
V_{OH}	Output HIGH voltage	$V_{CC} = \text{Min.},$ $I_{OH} = -1.0 \text{ mA}$ $V_{CC} = 3.0 \text{ V},$ $I_{OH} = -2.0 \text{ mA}$	2.4	–	2.4	–	V	
V_{OL}	Output LOW voltage	$V_{CC} = \text{Min.},$ $I_{OL} = 4.0 \text{ mA}$ $V_{CC} = 3.0 \text{ V},$ $I_{OL} = 8.0 \text{ mA}$	–	0.4	–	0.4	V	
V_{IH}	Input HIGH voltage	–	2.0	V_{CC}	2.0	V_{CC}	V	
V_{IL}	Input LOW voltage	–	-0.5	0.8	-0.5	0.8	V	
I_{IX}	Input leakage current	$V_{CC} = \text{Max.}$	-10	+10	-10	+10	μA	
I_{OZL} I_{OZH}	Output OFF, High Z current	$\overline{OE} \geq V_{IH},$ $V_{SS} < V_O < V_{CC}$	-10	+10	-10	+10	μA	
I_{CC1} ^[5]	Active power supply current	–	Commercial	–	25	–	25	mA
I_{SB} ^[6]	Average standby current	–	Commercial	–	4	–	4	mA

Capacitance

Parameter ^[7]	Description	Test Conditions	Max	Unit
C_{IN}	Input capacitance	$T_A = 25 \text{ °C}, f = 1 \text{ MHz},$ $V_{CC} = 3.3 \text{ V}$	5	pF
C_{OUT}	Output capacitance		7	pF

Notes

- V_{CC} Range for commercial -10 ns is 3.3 V ± 150 mV.
- Input signals switch from 0 V to 3 V with a rise/fall time of less than 3 ns, clocks and clock enables switch at maximum frequency of 20 MHz, while data inputs switch at 10 MHz. Outputs are unloaded.
- All inputs = $V_{CC} - 0.2 \text{ V}$, except WCLK and RCLK (which are at frequency = 0 MHz). All outputs are unloaded.
- Tested initially and after any design or process changes that may affect these parameters.

AC Test Loads and Waveforms

Figure 4. AC Test Loads and Waveforms (-15) [8,9]

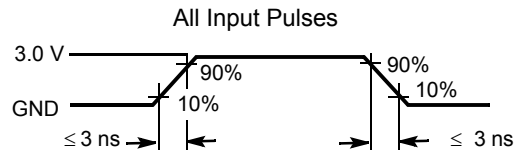
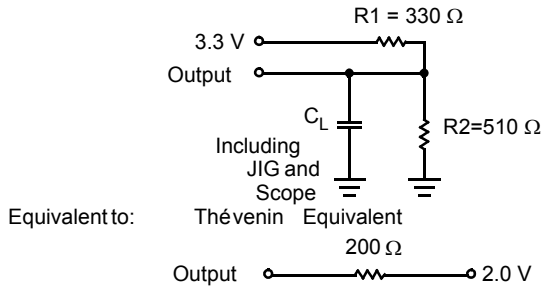
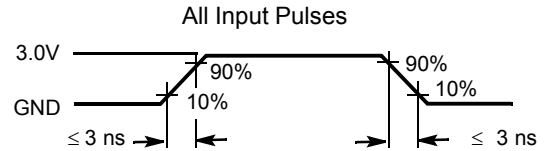
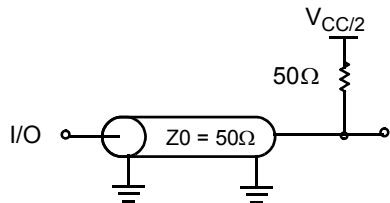


Figure 5. AC Test Loads and Waveforms (-10)



Notes

8. $C_L = 30 \text{ pF}$ for all AC parameters except for t_{OHZ} .
9. $C_L = 5 \text{ pF}$ for t_{OHZ} .

Switching Characteristics

Over the Operating Range

Parameter	Description	7C4261/81V-10		7C4261/91V-15		Unit
		Min	Max	Min	Max	
t_S	Clock cycle frequency	–	100	–	66.7	MHz
t_A	Data access time	2	8	2	10	ns
t_{CLK}	Clock cycle time	10	–	15	–	ns
t_{CLKH}	Clock HIGH time	4.5	–	6	–	ns
t_{CLKL}	Clock LOW time	4.5	–	6	–	ns
t_{DS}	Data set-up time	3.5	–	4	–	ns
t_{DH}	Data hold time	0	–	0	–	ns
t_{ENS}	Enable set-up time	3.5	–	4	–	ns
t_{ENH}	Enable hold time	0	–	0	–	ns
t_{RS}	Reset pulse width ^[10]	10	–	15	–	ns
t_{RSS}	Reset set-up time	8	–	10	–	ns
t_{RSR}	Reset recovery time	8	–	10	–	ns
t_{RSF}	Reset to flag and output time	–	10	–	15	ns
t_{OLZ}	Output enable to output in low Z ^[10]	0	–	0	–	ns
t_{OE}	Output enable to output valid	3	7	3	10	ns
t_{OHZ}	Output enable to output in high Z ^[11]	3	7	3	8	ns
t_{WFF}	Write clock to full flag	–	8	–	10	ns
t_{REF}	Read clock to empty flag	–	8	–	10	ns
t_{PAF}	Clock to programmable almost-full flag	–	8	–	10	ns
t_{PAE}	Clock to programmable almost-full flag	–	8	–	10	ns
t_{SKEW1}	Skew time between read clock and write clock for empty flag and full flag	5	–	6	–	ns
t_{SKEW2}	Skew time between read clock and write clock for almost-empty flag and almost-full flag	10	–	15	–	ns

Notes

10. Pulse widths less than minimum values are not allowed.
 11. Values guaranteed by design, not currently tested.

Switching Waveforms

Figure 6. Write Cycle Timing

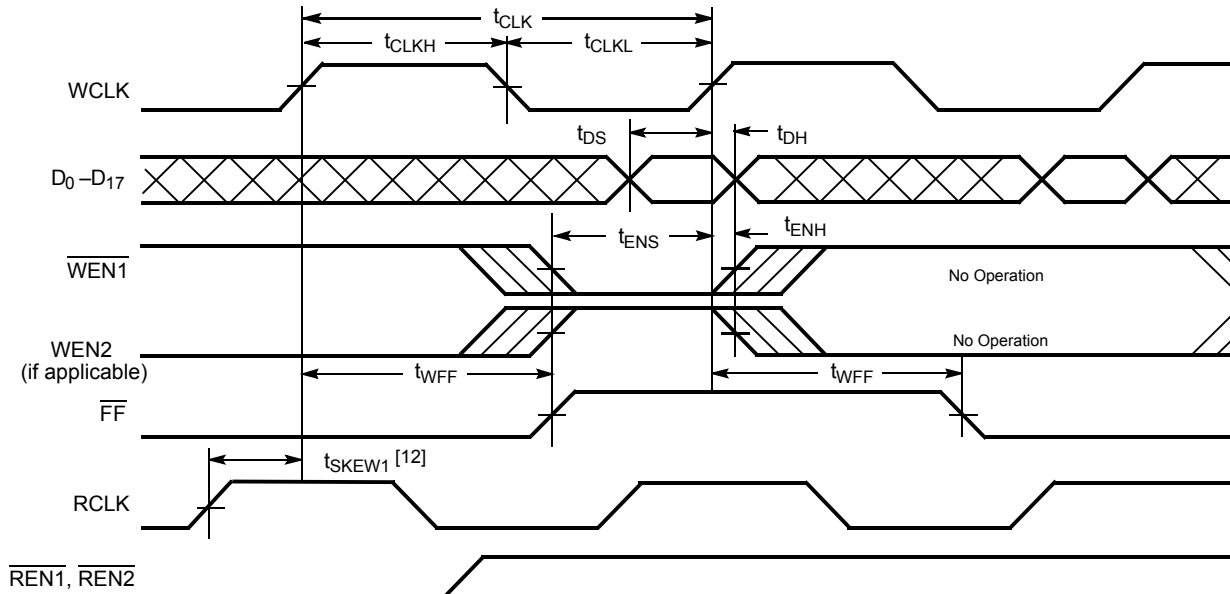
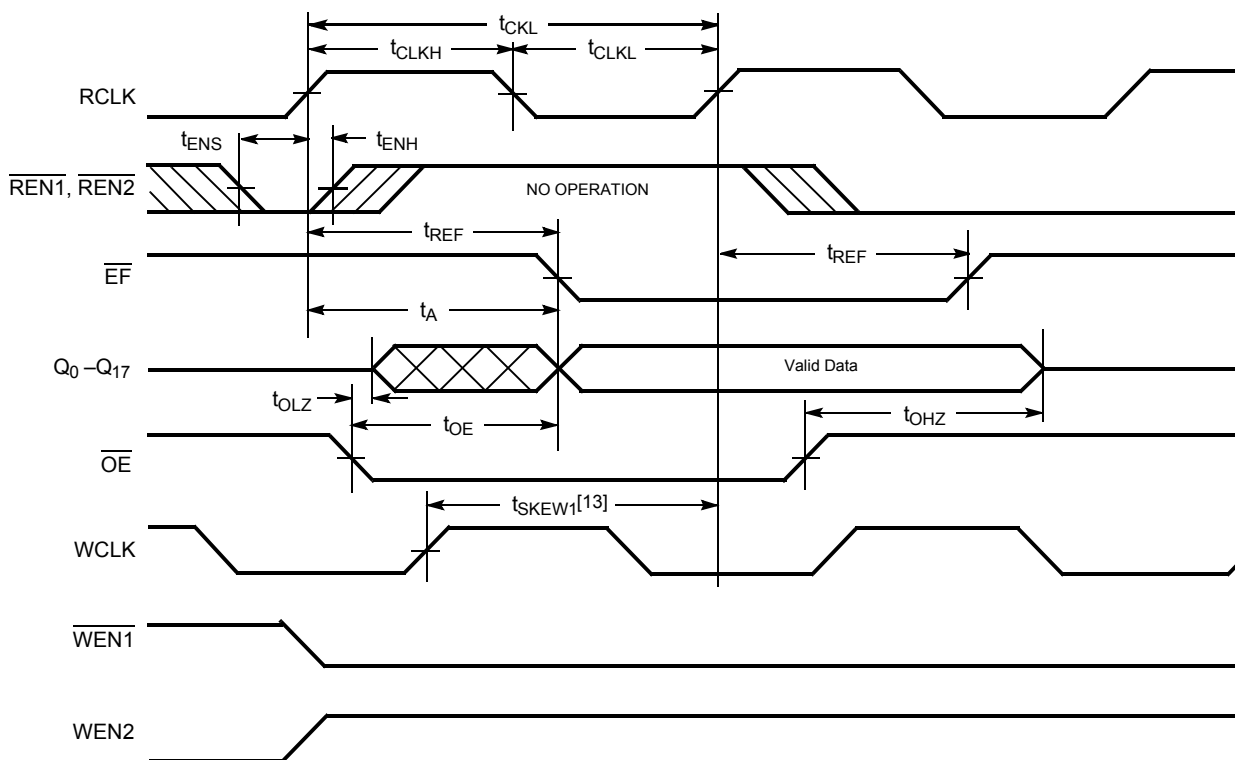


Figure 7. Read Cycle Timing

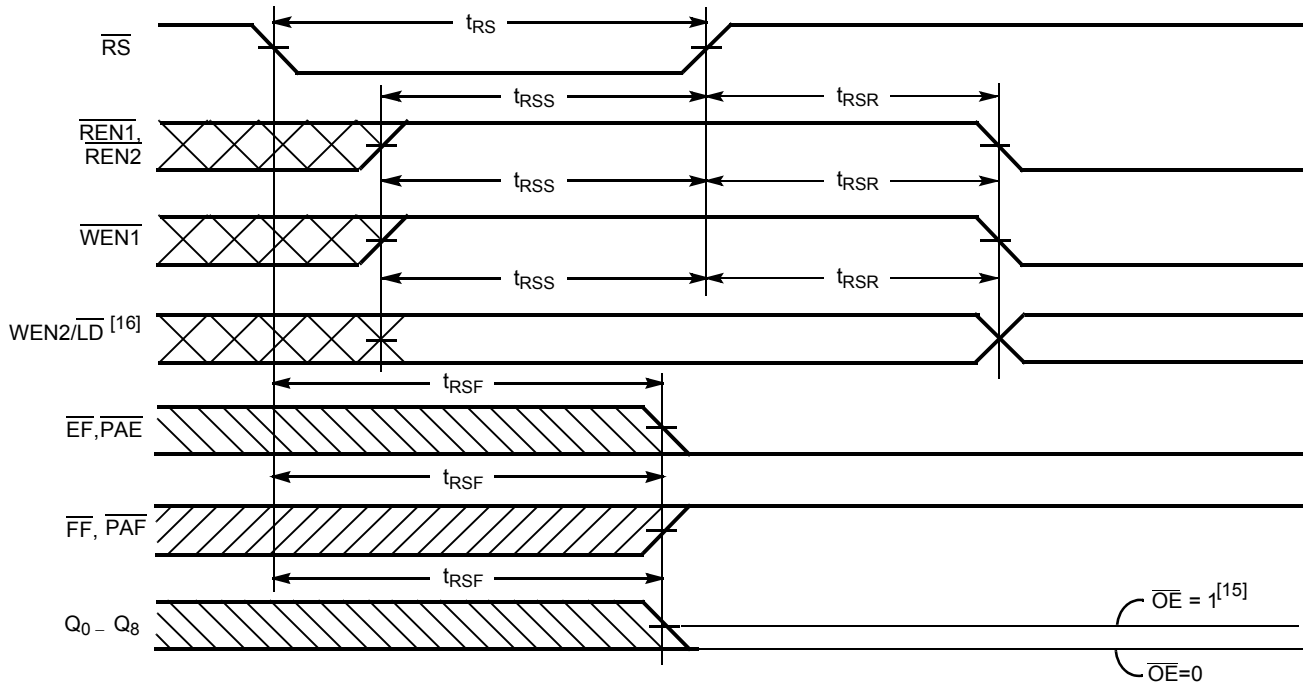


Notes

12. t_{SKEW1} is the minimum time between a rising RCLK edge and a rising WCLK edge to guarantee that \overline{FF} will go HIGH during the current clock cycle. If the time between the rising edge of RCLK and the rising edge of WCLK is less than t_{SKEW1} , then \overline{FF} may not change state until the next WCLK rising edge.
13. t_{SKEW1} is the minimum time between a rising WCLK edge and a rising RCLK edge to guarantee that \overline{EF} will go HIGH during the current clock cycle. If the time between the rising edge of WCLK and the rising edge of RCLK is less than t_{SKEW2} , then \overline{EF} may not change state until the next RCLK rising edge.

Switching Waveforms (continued)

Figure 8. Reset Timing ^[14]



Notes

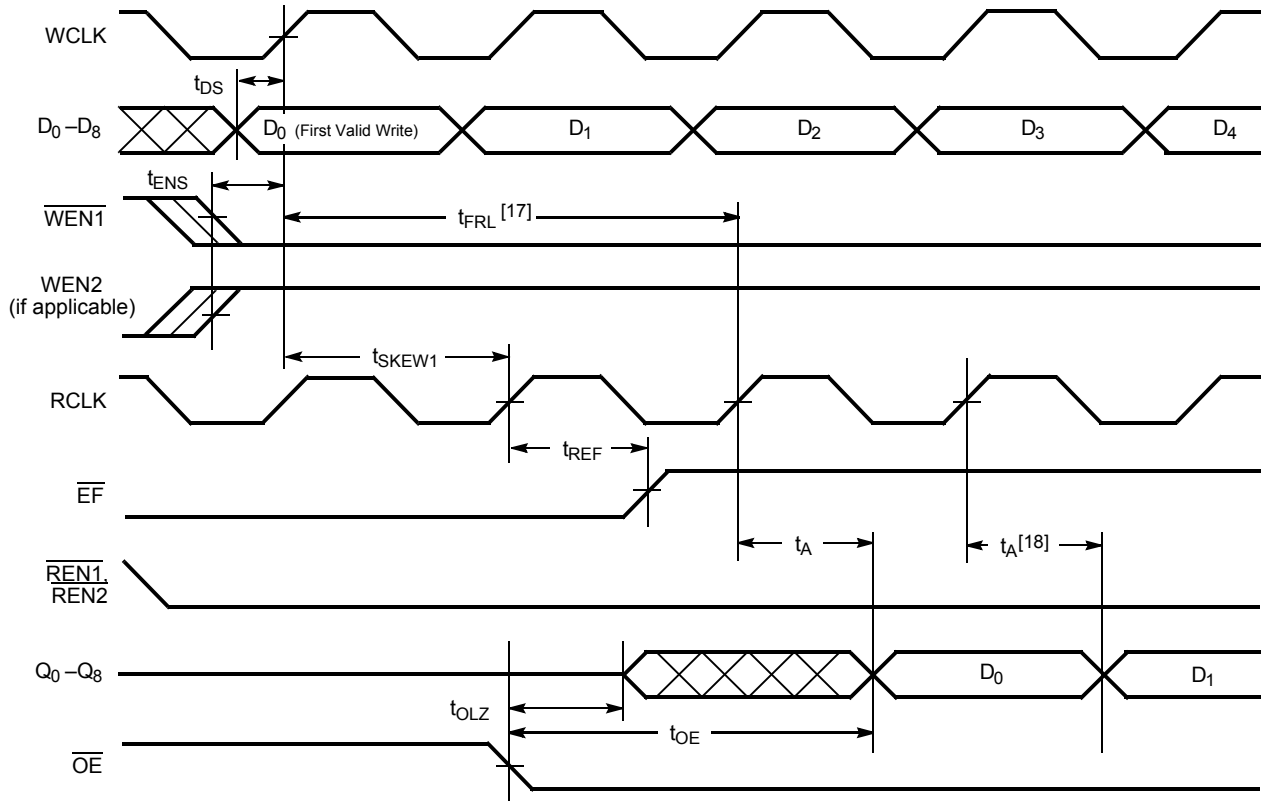
14. The clocks (RCLK, WCLK) can be free-running during reset.

15. After reset, the outputs will be LOW if $\overline{OE} = 0$ and three-state if $\overline{OE} = 1$.

16. Holding $\overline{WEN2/LD}$ HIGH during reset will make the pin act as a second enable pin. Holding $\overline{WEN2/LD}$ LOW during reset will make the pin act as a load enable for the programmable flag offset registers.

Switching Waveforms (continued)

Figure 9. First Data Word Latency after Reset with Read and Write

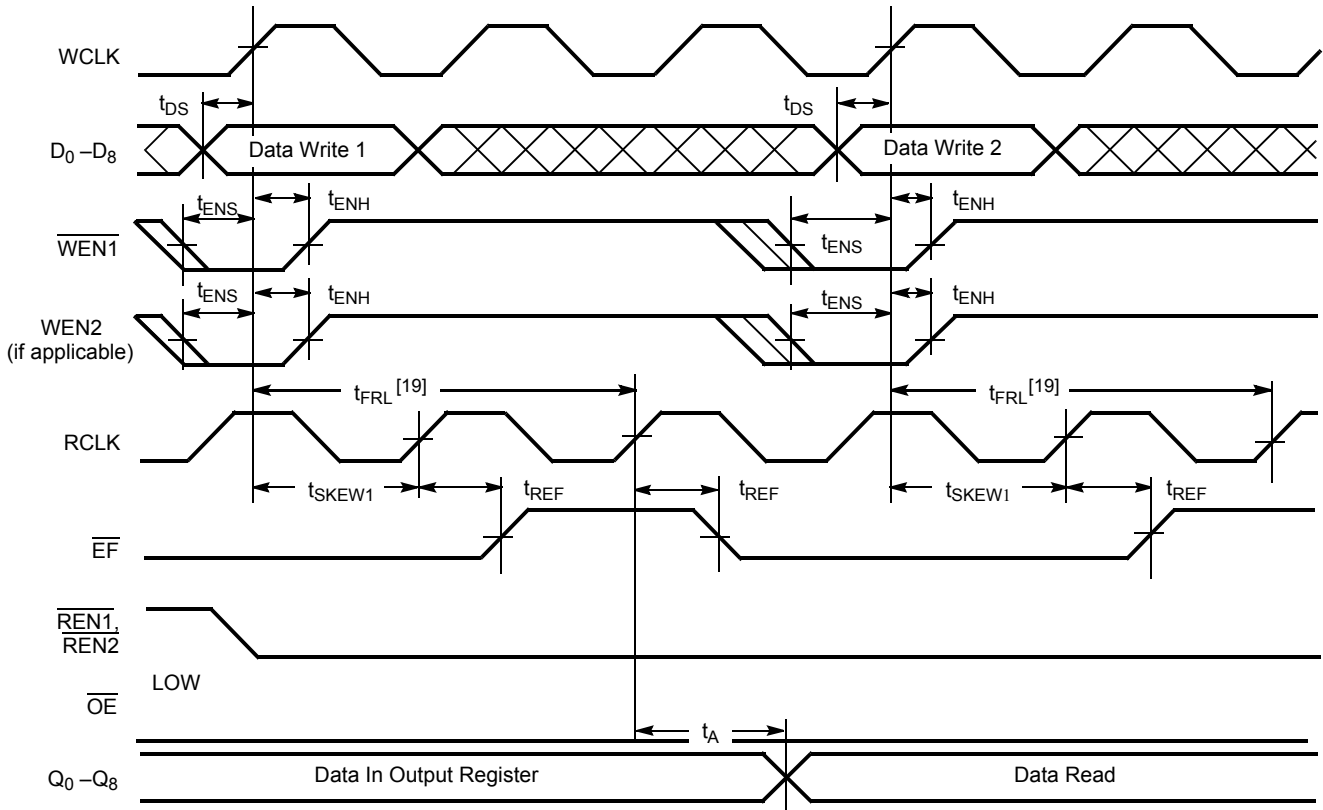


Notes

- 17. When $t_{SKEW1} \geq$ minimum specification, t_{FRL} (maximum) = $t_{CLK} + t_{SKEW2}$. When $t_{SKEW1} <$ minimum specification, t_{FRL} (maximum) = either $2 \cdot t_{CLK} + t_{SKEW1}$ or $t_{CLK} + t_{SKEW1}$. The Latency Timing applies only at the Empty Boundary ($\overline{EF} = \text{LOW}$).
- 18. The first word is available the cycle after \overline{EF} goes HIGH, always.

Switching Waveforms (continued)

Figure 10. Empty Flag Timing

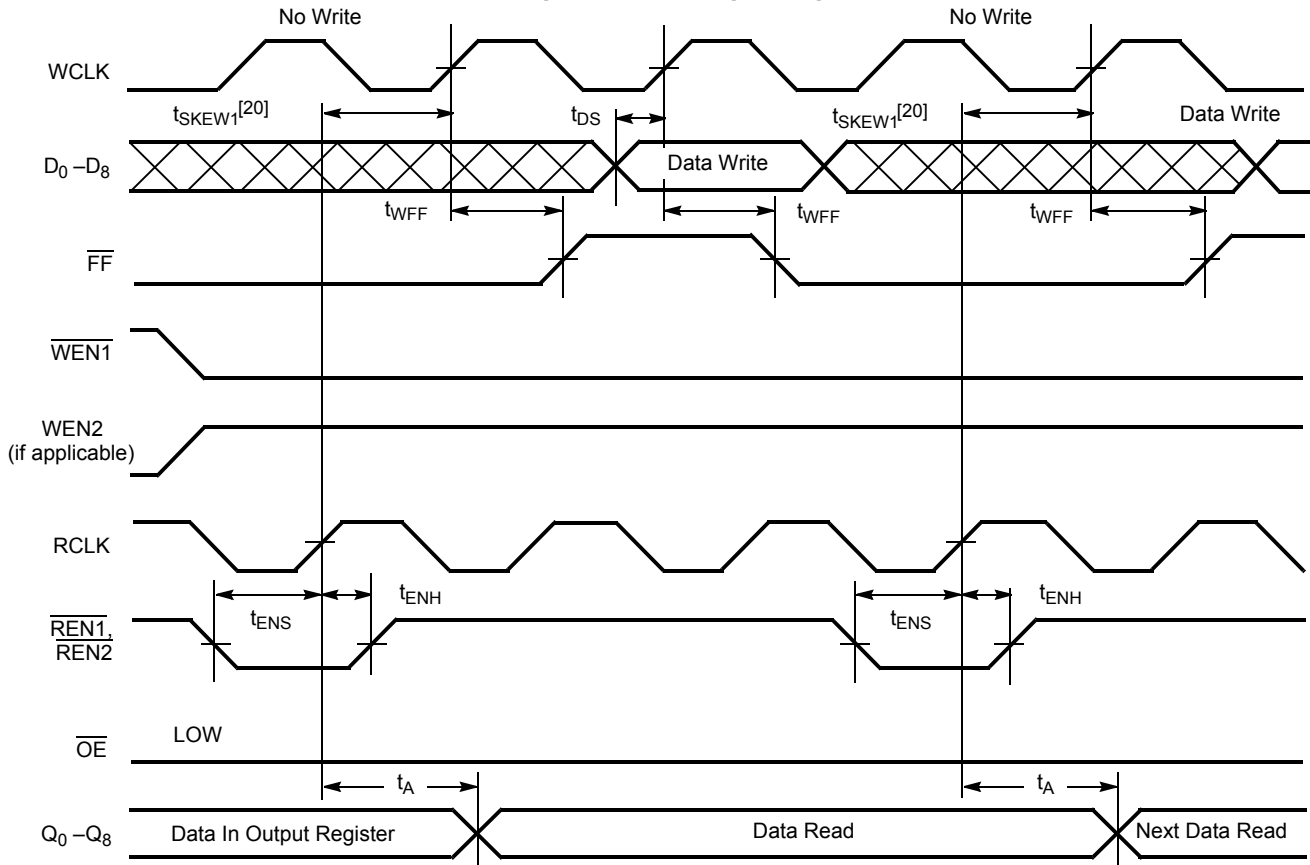


Note

19. When $t_{SKEW1} \geq$ minimum specification, $t_{FRL} \text{ (maximum)} = t_{CLK} + t_{SKEW2}$. When $t_{SKEW1} <$ minimum specification, $t_{FRL} \text{ (maximum)} = \text{either } 2 \cdot t_{CLK} + t_{SKEW1} \text{ or } t_{CLK} + t_{SKEW1}$. The Latency Timing applies only at the Empty Boundary (EF = LOW).

Switching Waveforms (continued)

Figure 11. Full Flag Timing



Note

²⁰. t_{SKEW1} is the minimum time between a rising RCLK edge and a rising WCLK edge to guarantee that \overline{FF} will go HIGH during the current clock cycle. If the time between the rising edge of RCLK and the rising edge of WCLK is less than t_{SKEW1} , then \overline{FF} may not change state until the next WCLK rising edge.

Switching Waveforms (continued)

Figure 12. Programmable Almost Empty Flag Timing

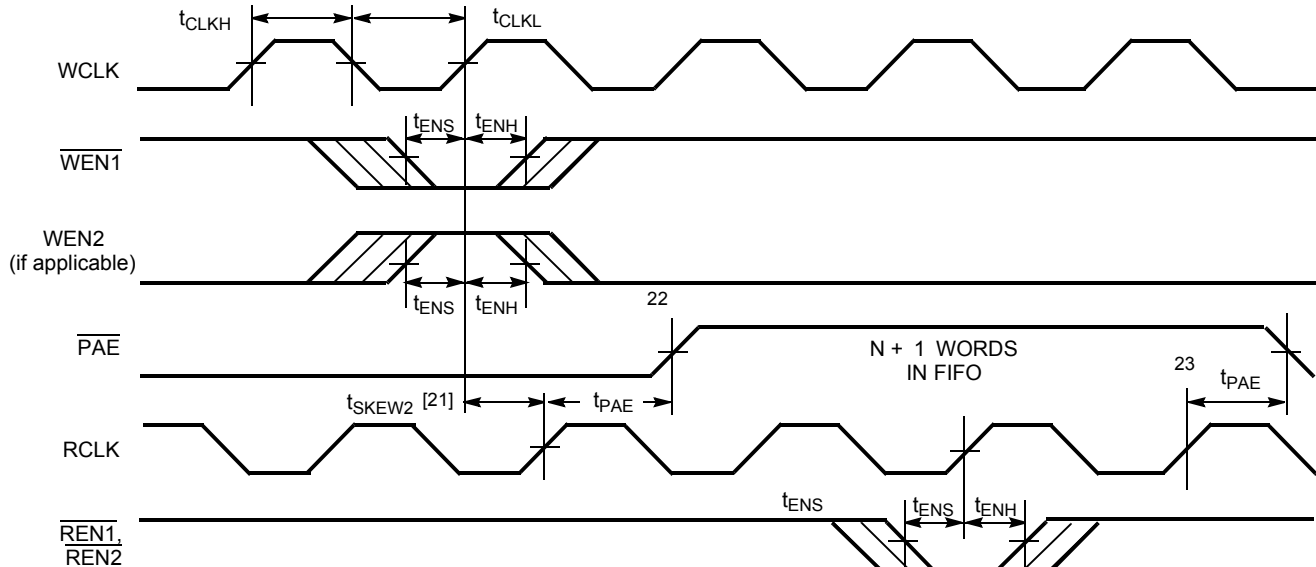
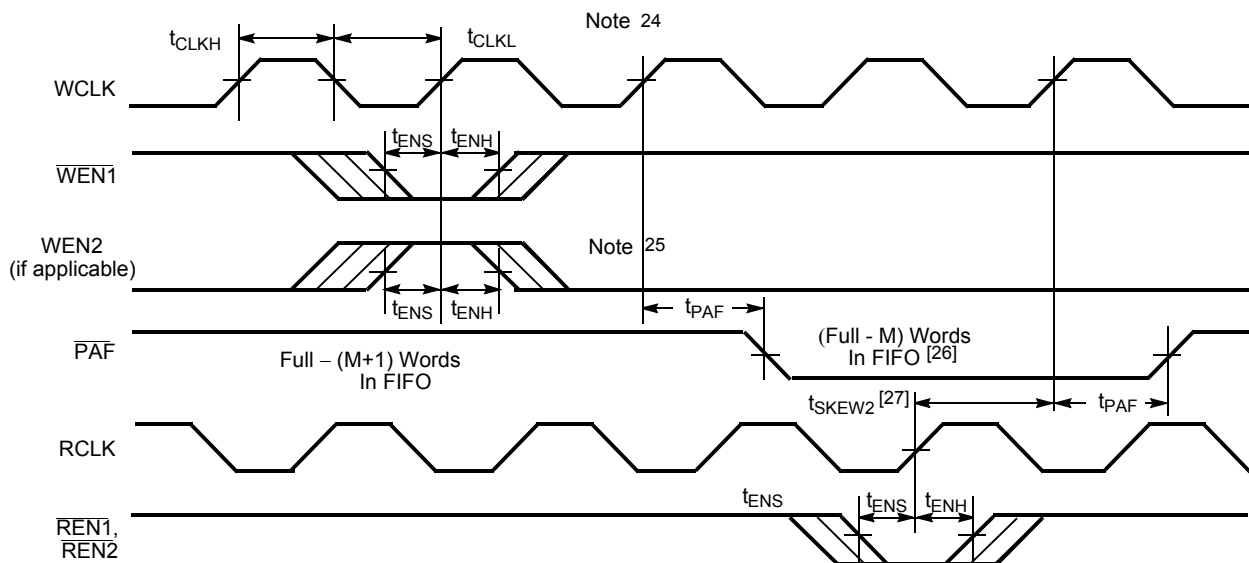


Figure 13. Programmable Almost Full Flag Timing



Notes

21. t_{SKEW2} is the minimum time between a rising WCLK and a rising RCLK edge for PAE to change state during that clock cycle. If the time between the edge of WCLK and the rising RCLK is less than t_{SKEW2} , then PAE may not change state until the next RCLK.
22. PAE offset = n.
23. If a read is performed on this rising edge of the read clock, there will be Empty + (n-1) words in the FIFO when PAE goes LOW.
24. If a write is performed on this rising edge of the write clock, there will be Full - (m-1) words of the FIFO when PAF goes LOW.
25. PAF offset = m.
26. 16 K - m words for CY7C4261V, 64 K - m words for CY7C4281V, and 128 K - m words for CY4291V.
27. t_{SKEW2} is the minimum time between a rising RCLK edge and a rising WCLK edge for PAF to change during that clock cycle. If the time between the rising edge of RCLK and the rising edge of WCLK is less than t_{SKEW2} , then PAF may not change state until the next WCLK.

Switching Waveforms (continued)

Figure 14. Write Programmable Registers

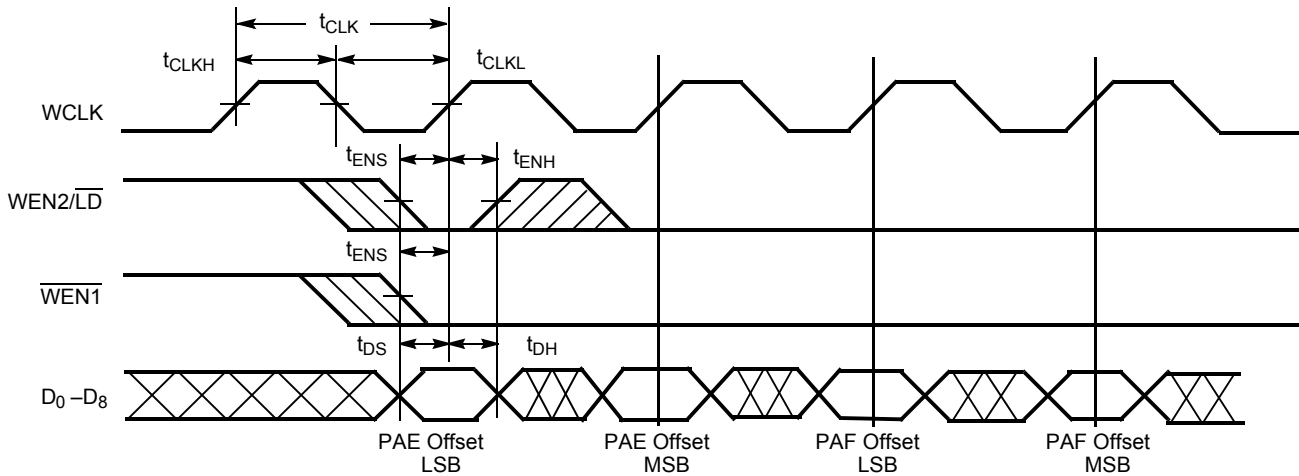
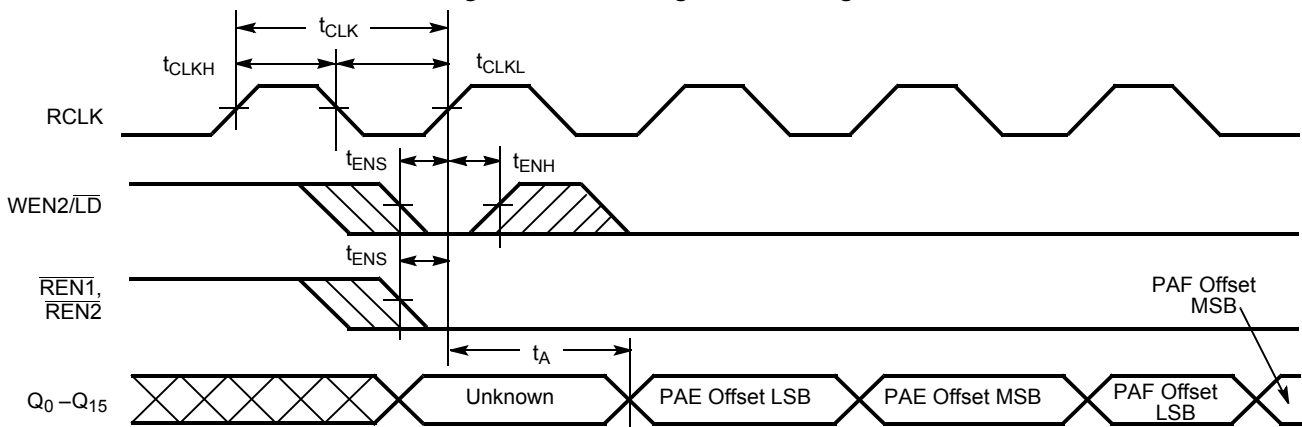


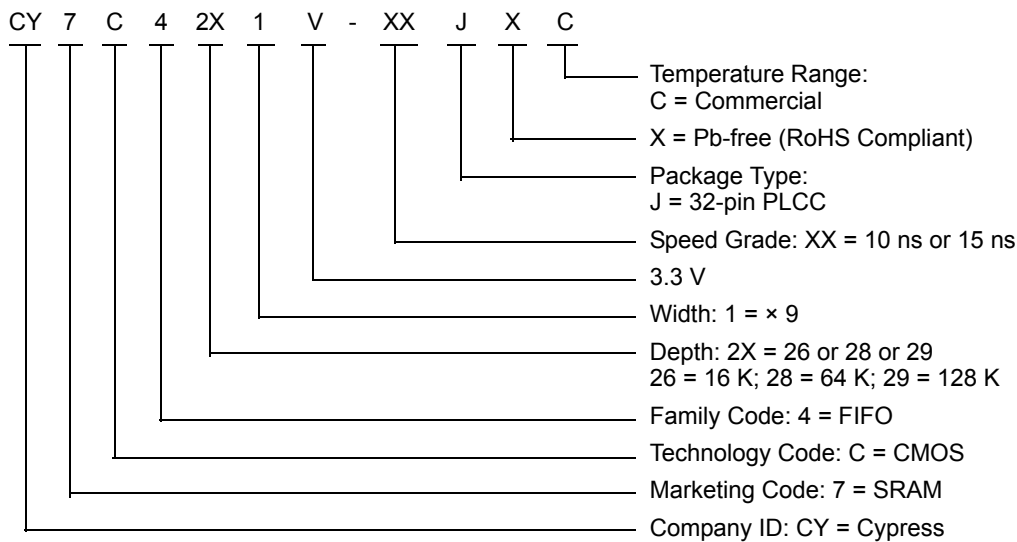
Figure 15. Read Programmable Registers



Ordering Information

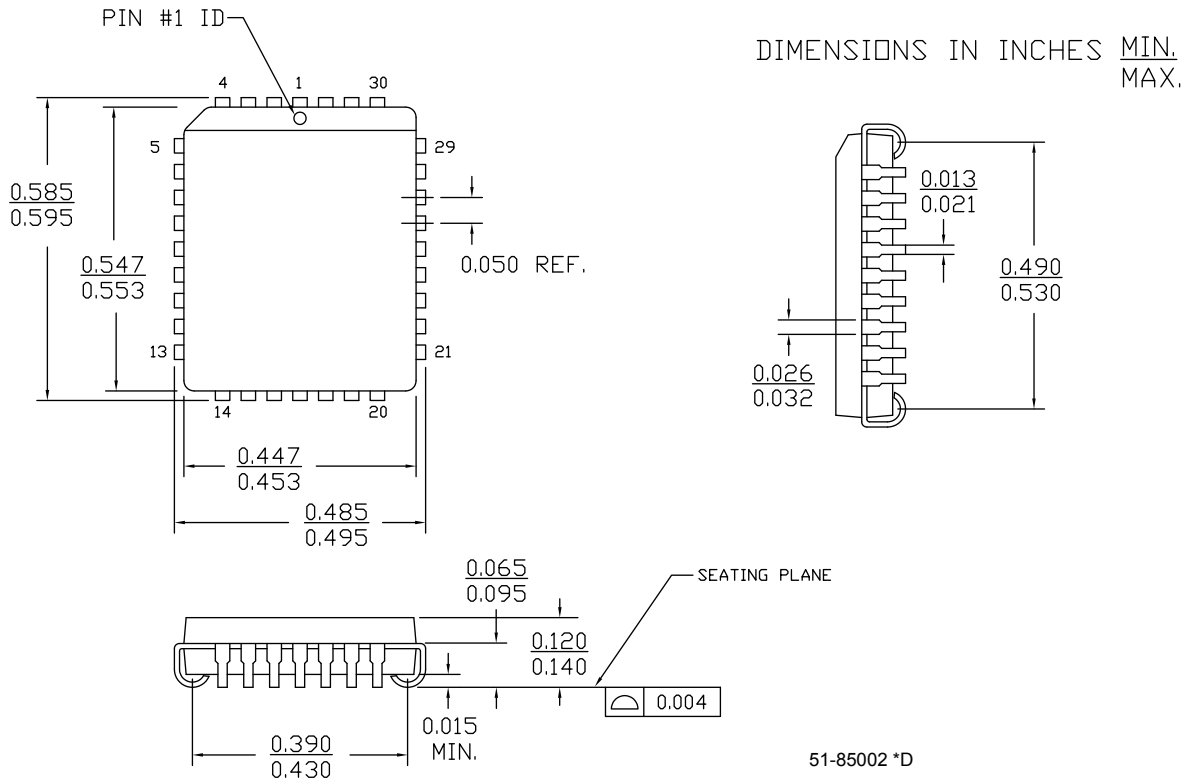
Speed (ns)	Ordering Code	Package Name	Package Type	Operating Range
16 K × 9 Low-Voltage Deep Sync FIFO				
10	CY7C4261V-10JXC	J65	32-pin Pb-free plastic leaded chip carrier	Commercial
15	CY7C4261V-15JXC	J65	32-pin Pb-free plastic leaded chip carrier	Commercial
64 K × 9 Low-Voltage Deep Sync FIFO				
10	CY7C4281V-10JXC	J65	32-pin Pb-free plastic leaded chip carrier	Commercial
128 K × 9 Low-Voltage Deep Sync FIFO				
15	CY7C4291V-15JXC	J65	32-pin Pb-free plastic leaded chip carrier	Commercial

Ordering Code Definitions



Package Diagram

Figure 16. 32-pin PLCC (0.453 × 0.553 Inches) J65 Package Outline, 51-85002



Acronyms

Table 3. Acronyms used

Acronym	Description
CMOS	Complementary Metal Oxide Semiconductor
$\overline{\text{CE}}$	Chip Enable
I/O	Input/Output
$\overline{\text{OE}}$	Output Enable
SRAM	Static Random Access Memory
TSOP	Thin Small Outline Package
$\overline{\text{WE}}$	Write Enable

Document Conventions

Units of Measure

Table 4. Units of Measure

Symbol	Unit of Measure
°C	degree Celsius
μA	microampere
mA	milliampere
ns	nanosecond
pF	picofarad
V	volt
W	watt

Document History Page

Document Title: CY7C4261V/CY7C4281V/CY7C4291V, 16 K / 64 K / 128 K × 9 Low-Voltage Deep Sync™ FIFOs				
Document Number: 38-06013				
Revision	ECN	Orig. of Change	Submission Date	Description of Change
**	106474	SZV	09/15/01	Changed Spec number from 38-00656 to 38-06013.
*A	127858	FSG	09/04/03	Updated Switching Waveforms : Replaced $t_{\text{SKEW}2}$ with $t_{\text{SKEW}1}$ in Figure 10 . Fixed typos in Figure 10 , Figure 11 , Figure 12 , Figure 13 .
*B	386127	ESH	See ECN	Added Pb-free logo to top of front page. Updated Ordering Information : Added CY7C4291V-15JXC, CY7C91V-10JXC, CY7C4281V-10JXC, CY7C4271V-10JXC, CY7C4261V-10JXC, CY7C4261V-15JXC parts.
*C	2896378	RAME	03/19/2010	Updated Ordering Information : Removed inactive parts. Updated Package Diagram .
*D	2906525	RAME	04/07/2010	Updated Ordering Information : Removed inactive parts.
*E	3069396	ADMU	10/22/2010	Updated Programming : Updated Programmable Flag (PAE, PAF) Operation : Replaced PAF with PAE in “PAF is synchronized to the LOW-to-HIGH transition of RCLK by one flip-flop and is LOW when the FIFO contains n or fewer unread words”. Replaced $\overline{\text{PAE}}$ with $\overline{\text{PAF}}$ in “ $\overline{\text{PAE}}$ is synchronized to the LOW-to-HIGH transition of WCLK by one flip-flop and is set LOW when the number of unread words in the FIFO is greater than or equal to CY7C4261 (16K-m) and CY7C4271 (32K-m)”. Added Ordering Code Definitions under Ordering Information . Added Acronyms and Units of Measure .
*F	3210221	ADMU	03/25/2011	Updated Ordering Information : Removed CY7C4271V-10JC part.
*G	3325014	ADMU	07/22/2011	Removed -25 speed bin related information in all instances across the document. Updated Package Diagram : Updated spec 51-85002 to *D revision.
*H	3847934	ADMU	12/20/2012	Updated Ordering Information (Updated part numbers).
*I	4486851	ADMU	08/28/2014	Removed CY7C4271V related information in all instances across the document. Removed Industrial Temperature Range related information in all instances across the document. Updated Selection Guide : Removed CY7C4291V related information in 10 ns speed bin column. Updated Electrical Characteristics : Removed CY7C4291V related information in 10 ns speed bin column. Updated Switching Characteristics : Removed CY7C4291V related information in 10 ns speed bin column. Updated in new template.
*J	4581652	ADMU	11/26/2104	Added related documentation hyperlink in page 1.

Sales, Solutions, and Legal Information

Worldwide Sales and Design Support

Cypress maintains a worldwide network of offices, solution centers, manufacturer's representatives, and distributors. To find the office closest to you, visit us at [Cypress Locations](#).

Products

Automotive	cypress.com/go/automotive
Clocks & Buffers	cypress.com/go/clocks
Interface	cypress.com/go/interface
Lighting & Power Control	cypress.com/go/powerpsoc cypress.com/go/plc
Memory	cypress.com/go/memory
PSoC	cypress.com/go/psoc
Touch Sensing	cypress.com/go/touch
USB Controllers	cypress.com/go/USB
Wireless/RF	cypress.com/go/wireless

PSoC[®] Solutions

[psoc.cypress.com/solutions](#)
[PSoC 1](#) | [PSoC 3](#) | [PSoC 4](#) | [PSoC 5LP](#)

Cypress Developer Community

[Community](#) | [Forums](#) | [Blogs](#) | [Video](#) | [Training](#)

Technical Support

[cypress.com/go/support](#)

© Cypress Semiconductor Corporation, 2005-2014. The information contained herein is subject to change without notice. Cypress Semiconductor Corporation assumes no responsibility for the use of any circuitry other than circuitry embodied in a Cypress product. Nor does it convey or imply any license under patent or other rights. Cypress products are not warranted nor intended to be used for medical, life support, life saving, critical control or safety applications, unless pursuant to an express written agreement with Cypress. Furthermore, Cypress does not authorize its products for use as critical components in life-support systems where a malfunction or failure may reasonably be expected to result in significant injury to the user. The inclusion of Cypress products in life-support systems application implies that the manufacturer assumes all risk of such use and in doing so indemnifies Cypress against all charges.

Any Source Code (software and/or firmware) is owned by Cypress Semiconductor Corporation (Cypress) and is protected by and subject to worldwide patent protection (United States and foreign), United States copyright laws and international treaty provisions. Cypress hereby grants to licensee a personal, non-exclusive, non-transferable license to copy, use, modify, create derivative works of, and compile the Cypress Source Code and derivative works for the sole purpose of creating custom software and or firmware in support of licensee product to be used only in conjunction with a Cypress integrated circuit as specified in the applicable agreement. Any reproduction, modification, translation, compilation, or representation of this Source Code except as specified above is prohibited without the express written permission of Cypress.

Disclaimer: CYPRESS MAKES NO WARRANTY OF ANY KIND, EXPRESS OR IMPLIED, WITH REGARD TO THIS MATERIAL, INCLUDING, BUT NOT LIMITED TO, THE IMPLIED WARRANTIES OF MERCHANTABILITY AND FITNESS FOR A PARTICULAR PURPOSE. Cypress reserves the right to make changes without further notice to the materials described herein. Cypress does not assume any liability arising out of the application or use of any product or circuit described herein. Cypress does not authorize its products for use as critical components in life-support systems where a malfunction or failure may reasonably be expected to result in significant injury to the user. The inclusion of Cypress' product in a life-support systems application implies that the manufacturer assumes all risk of such use and in doing so indemnifies Cypress against all charges.

Use may be limited by and subject to the applicable Cypress software license agreement.