

DESCRIPTION

Demonstration circuit DC2218A is a matrix LED dimmer system featuring the [LT3965](#) 8-switch matrix LED dimmer IC. There are 16 500mA LEDs that can be individually turned on, off, or PWM dimmed with two 8-switch LED dimmer LT3965 ICs. The two strings of LEDs are driven with two buck LED driver outputs of the LT3797 triple LED controller IC. The third channel of the LT3797 serves as a 30V pre-boost voltage regulator to provide a proper input voltage to the two buck LED driver channels. DC2218A can be driven from a 9V to 30V input and can survive transients up to 36V.

A pre-programmed DC2026C Linduino™ One demo circuit is attached to the DC2218A matrix LED dimmer shield to create a full matrix LED dimmer system. With the Linduino One attached as an under-shield microcontroller board, the entire system can be powered from either a 9V to 36V lab power supply or battery connected to the EMIVIN banana jacks or from a 12V 4A+ AC/DC converter connected to the J7 barrel jack connector.

DC2218A can be operated by connecting 12V power to the input and selecting 7 pre-programmed patterns with rotary switch S1. When connected to a PC through a USB cable, an eighth setting of S1 (position 7) allows DC2218A to be operated with a graphical user interface (GUI).

The LT3965 data sheet gives a complete description of the part, operation and applications information. The data sheet must be read in conjunction with this demo manual for demonstration circuit DC2218A. The LT3965EFE is assembled in a 28-lead plastic TSSOP (FE) package with a thermally enhanced ground pad. Proper board layout is essential for maximum thermal performance. See the data sheet section Layout Considerations.

Design files for this circuit board are available at <http://www.linear.com/demo/DC2218A>

LT, LT, LTC, LTM, Linear Technology and the Linear logo are registered trademarks and Linduino and QuikEval are trademarks of Linear Technology Corporation. All other trademarks are the property of their respective owners.

PERFORMANCE SUMMARY Specifications are at $T_A = 25^\circ\text{C}$

| PARAMETER | CONDITIONS | MIN | TYP | MAX | UNITS |
|--|-------------------------------------|-----|-----|-----|-------|
| Input Voltage (EMIVIN or J7 Barrel Connector) | | 8 | | 36 | V |
| RTCLK Switching Frequency | Set by LTC6900 | | 350 | | kHz |
| PWM Dimming Frequency | Switching Frequency Divided by 2048 | | 170 | | Hz |
| I_{LED} | 16 LEDs, 8 LEDs Each LT3965 | | 500 | | mA |
| $30V_{OUT}$ LT3797 CH3 Pre-Boost Voltage | | | 30 | | V |
| I ² C Serial Communications Frequency | | | 400 | | kHz |
| Barrel Jack Connector Size (for 12V 4A+ Supply) | PJ-002AH Power Jack Connector J7 | | 2.1 | | mm ID |

QUICK START PROCEDURE

How to Operate Pre-Programmed Patterns 0-6 (S1)

Demonstration circuit DC2218A is easy to set up to evaluate the performance of the LT3965 matrix LED dimming system and its pre-programmed patterns.

NOTE: The included DC2026C Linduino One is pre-programmed to work with DC2218A. If the .ino code is mistakenly changed or overwritten, new .ino code must be uploaded from Linear's website.

NOTE: An acrylic shield has been assembled over the LEDs to protect the user's eyes from extremely bright light. Please make sure that the shield is in place and any necessary protective eyewear is worn before looking directly at the bright LEDs and their patterns.

Follow the procedure below:

1. Set the PATTERN SELECT rotary switch S1 to any position between 0 and 6. Position 7 is reserved for use with the GUI (graphical user interface).
2. Connect 12V power to either the EMIVIN and GND banana jacks or to the J7 2.1mm (inside diameter) barrel jack.
3. Observe the red LED indicator light (D32). When it begins flashing, then the board is ready to start up.
4. When the red LED (D32) is flashing, push the Push to Start button S3.
5. Observe the LED patterns and adjust the speed, brightness and pattern of the LEDs with the manual blue potentiometer R14.

6. Change the Pattern Select rotary switch to positions 0-6 to observe different patterns.

7. Press the Reset button S2 to start over again.

How to Operate with Graphical User Interface (GUI)

Demonstration circuit DC2218A can be connected with a PC via USB cable and controlled with a GUI.

NOTE: The included DC2026C Linduino One is pre-programmed to work with DC2218A and to interface with the LT3965 GUI. If the .ino code is mistakenly changed or overwritten, new .ino code must be uploaded from Linear's website.

NOTE: An acrylic shield has been assembled over the LEDs to protect the user's eyes from extremely bright light. Please make sure that the shield is in place and any necessary protective eyewear is worn before looking directly at the bright LEDs and their patterns.

Follow the procedure below:

1. If never done before, download and install QuikEval™ from Linear's website under design tools and software at <http://www.linear.com/designtools/software/#Data>
QuikEval is your link to receiving the latest LT3965 GUI software and to run the GUI. Installation of QuikEval properly initializes the serial port driver on the computer to work with the Linduino One USB connection.

If QuikEval is already installed, skip step 1, or update QuikEval to get the LT3965 GUI.

QUICK START PROCEDURE

2. Remove power and the USB cable from the DC2218A inputs.
3. Turn the PATTERN SELECT rotary switch S1 to position 7 for the GUI.
4. Connect 12V power to either the EMIVIN and GND banana jacks or to the J7 2.1mm (inside diameter) barrel jack.
5. Connect a USB cable between a PC and the USB connector on the under-shield DC2026C (which arrives included in the DC2218A package and pre-programmed with DC2218A .ino code).
6. Launch the LT3965 GUI from QuikEval.
7. Click Connect to DC2218A to connect to the DC2218A with the GUI.
8. Observe the GUI program starts at ALL CHANNEL MODE screen and the LEDs on the PCB are all off.
9. Start creating and testing I²C commands with ALL CHANNEL MODE, SINGLE CHANNEL MODE, BROADCAST, DIGITAL WRITE, READ REGISTERS, and LED SETTINGS pages.

NOTE: An LT3965 GUI user guide is posted on the Linear blog site. It contains the GUI commands and details. Please contact Linear support for help with the GUI and User Guide.

QUICK START PROCEDURE

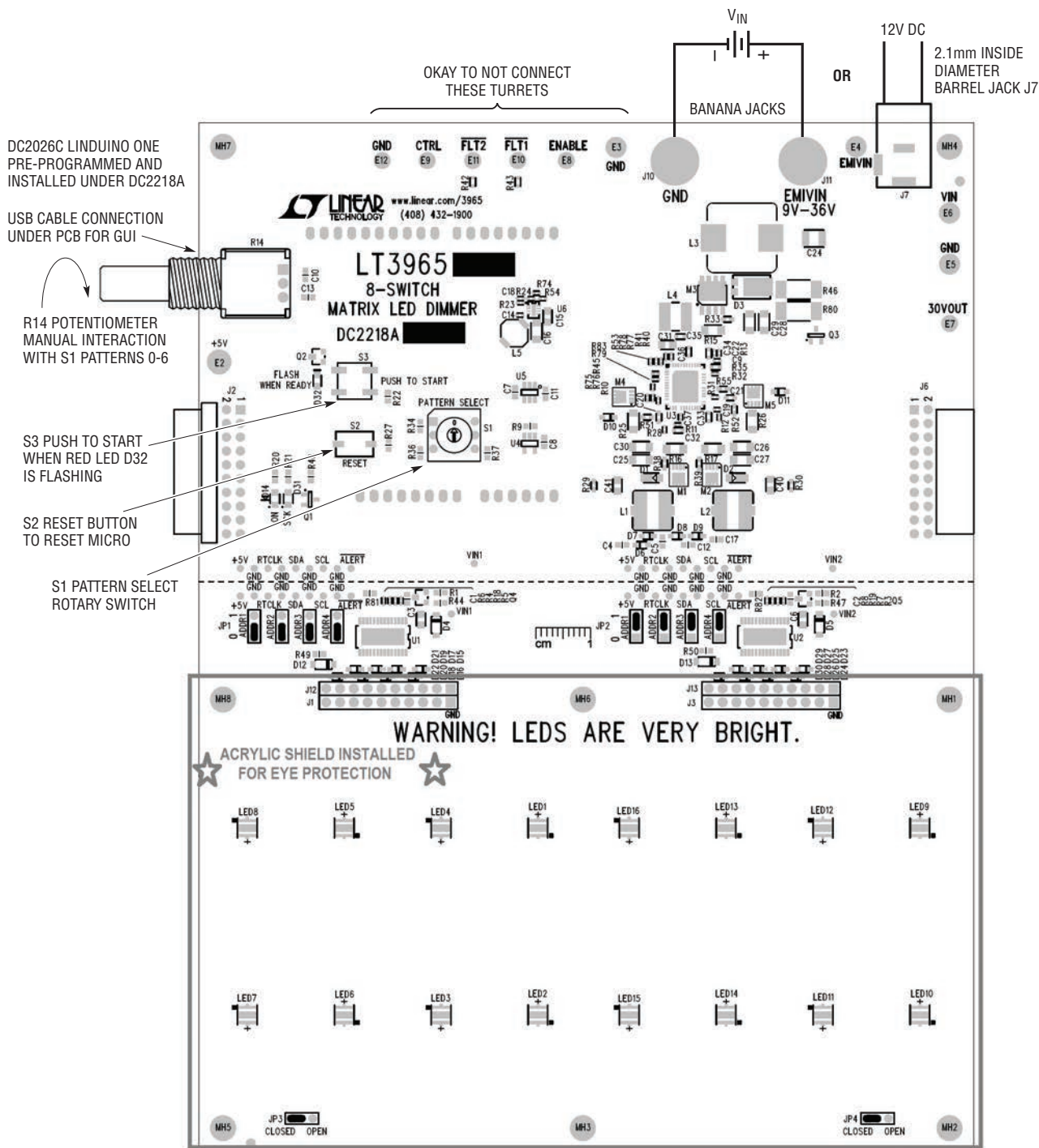


Figure 2. DC2218A Top Silkscreen and Component Reference Drawing

PRE-PROGRAMMED PATTERNS

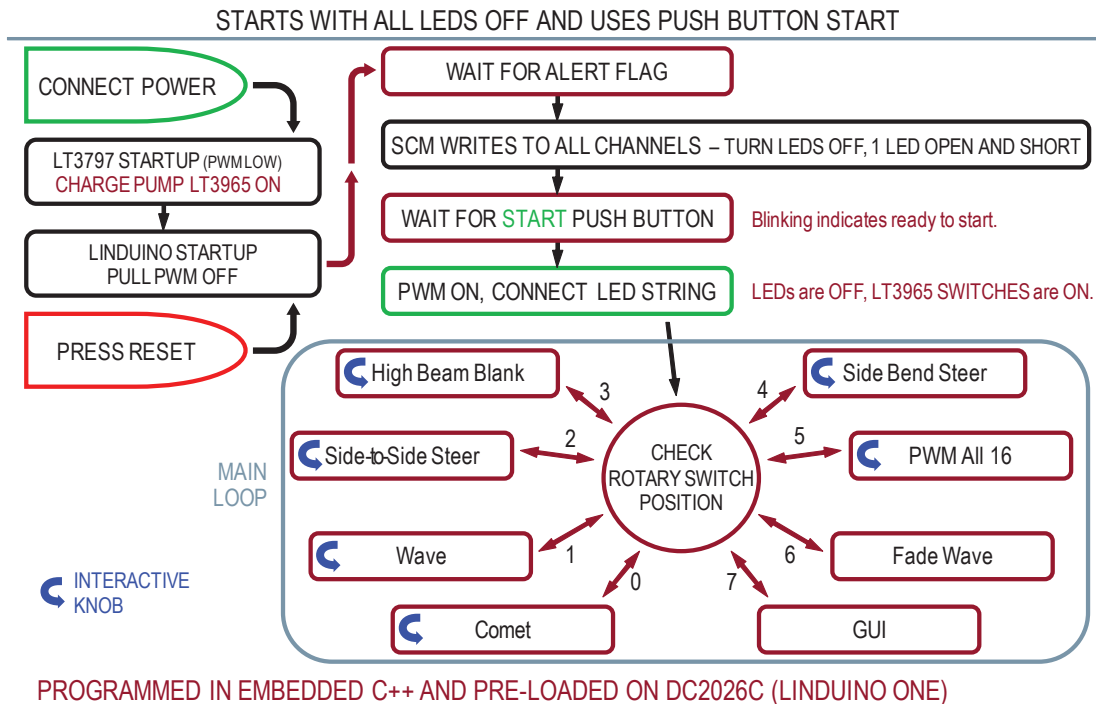


Figure 3. DC2218A Attached Linduino One Pre-Programmed Software Flow-Chart

S1 Pattern Select Position

0. Comet: A comet of light runs around the sixteen LEDs changing PWM dimming brightness quickly increasing and decreasing at rates that look like a ball of fire zipping around the LEDs. The interactive potentiometer controls the speed of the comet.

1. Wave: A wave of light from right to left and from left to right changing PWM dimming brightness quickly increasing and decreasing at rates that look like a wave running from one side of the LEDs to the other. The interactive potentiometer controls the speed of the wave.

2. Side-to-Side Steer: Center headlight LEDs stay on to face directly forward while the right and left side LEDs turn on with brightness proportional to the amount that the steering wheel (interactive potentiometer) is turned.

3. High Beam Blank: While the low beam is on 100% brightness, the sections of the high beam turn OFF. Although the blank spots would be controlled by a sophisticated camera detecting an object in front of a car to determine which high beam LEDs to turn off or dim, the section on DC2218A is controlled by turning the interactive potentiometer.

4. Side Bend Steer: All sixteen LEDs adjust PWM dimming duty cycle and brightness based upon the position of the steering wheel (interactive potentiometer). This pattern represents a light that bends around the side of a car, projecting a turning headlight pattern that is linked to the steering wheel.

5. PWM All 16: All sixteen LEDs have the same PWM dimming and brightness level that is set by the interactive potentiometer. They range from OFF to ON in increments of 1/256 PWM dimming.

6. Fade Wave: Using the PWM dim WITH FADE commands, a wave of light is created by fading the LED brightnesses up and down. WITH FADE option uses the logarithmic fade function of the LT3965 and allows the brightness to fade from low to high or from high to low with a single I²C bus command. This pattern has low bus traffic.

7. GUI: GRAPHICAL USER INTERFACE position setting – Use this position when connecting to the GUI. See details above for downloading and connecting to the GUI via the USB cable connection of DC2026C.

PARTS LIST

| ITEM | QTY | REFERENCE | PART DESCRIPTION | MANUFACTURER/PART NUMBER |
|--|-----|-------------------------------|--|---------------------------------------|
| LT3965 Matrix LED Dimmer Circuit Components | | | | |
| 1 | 2 | C1, C2 | CAP, 0.1µF, X7R, 50V, 10%, 0402 | MURATA, GRM155R71H104KE14D |
| 2 | 2 | C3, C6 | CAP, 1µF, X7R, 50V, 10%, 0805 | MURATA, GRM21BR71H105KA12L |
| 3 | 0 | C42-C59(OPT) | CAP, OPTION, 0402 | |
| 4 | 2 | D4, D5 | SCHOTTKY, RECTIFIER, 60V, 1A, SOD-123F | NXP, PMEG6010CEH, 115 |
| 5 | 2 | D12, D13 | SCHOTTKY, RECTIFIER, 40V, 1A, SOD-123F | NXP, PMEG4010CEH, 115 |
| 6 | 16 | D15-D30 | DIODE, PMEG4010CEJ SOD-323 | NXP, PMEG4010CEJ, 115 |
| 7 | 2 | Q4, Q5 | TRANSISTOR, SOT-23 | DIODES INC., FM5T593TA |
| 8 | 2 | R1, R2 | RES., 49.9k, 1/10W, 1% 0603 | VISHAY, CRCW060349K9FKEA |
| 9 | 2 | R3, R5 | RES., 9.09k, 1/10W, 1%, 0603 | VISHAY, CRCW06039K09FKEA |
| 10 | 7 | R4, R6, R7, R8, R18, R19, R83 | RES., 10k, 1/16W, 1% 0402 | VISHAY, CRCW040210K0FKED |
| 11 | 2 | R44, R47 | RES., 1k, 1/10W, 1%, 0603 | VISHAY, CRCW06031K00FKEA |
| 12 | 2 | U1, U2 | I.C. LT3965EFE TSSOP28 | LINEAR TECH., LT3965EFE#PBF |
| LT3977 Boost-then-Dual-Buck LED Driver Circuit Components | | | | |
| 1 | 4 | C4, C5, C12, C17 | CAP, 0.1µF, X7R, 100V, 10%, 0603 | MURATA, GRM188R72A104KA35D |
| 2 | 1 | C9 | CAP, 22nF, X7R, 25V, 10%, 0402 | MURATA, GRM155R71E223KA61D |
| 3 | 2 | C19, C37 | CAP, 2200pF, X7R, 25V, 10%, 0402 | MURATA, GRM155R71E222KA01D |
| 4 | 2 | C20, C21 | CAP, 22µF, X5R, 10V 20%, 0603 | MURATA, GRM188R61A226ME15D |
| 5 | 1 | C22 | CAP, 1000pF, C0G, 25V, 5%, 0402 | MURATA, GRM1555C1E102JA01D |
| 6 | 1 | C23 | CAP, ALUM., 33µF, 50V, 6.3X7.7 | PANASONIC, EEHA1H330XP |
| 7 | 1 | C24 | CAP, 4.7µF, X7R, 50V 10%, 1210 | MURATA, GRM32ER71H475KA88L |
| 8 | 7 | C25-C30, C39 | CAP, 10µF, X5R, 50V 10%, 1206 | MURATA, GRM31CR61H106KA12L |
| 9 | 1 | C31 | CAP, 1µF, X7R, 50V, 10%, 0805 | MURATA, GRM21BR71H105KA12L |
| 10 | 2 | C32, C33 | CAP, 1µF, X7R, 16V, 10%, 0603 | MURATA, GRM188R71C105KA12D |
| 11 | 1 | C34 | CAP, 0.22µF, X5R, 10V 10%, 0603 | MURATA, GRM188R61A224KA01D |
| 12 | 1 | C35 | CAP, 0.1µF, X7R, 16V, 10%, 0603 | MURATA, GRM188R71C104KA01D |
| 13 | 1 | C36 | CAP, 10µF, X5R, 10V, 10%, 0603 | MURATA, GRM188R61A106KE69D |
| 14 | 1 | C38 | CAP, 0.1µF, X7R, 50V, 10%, 0402 | MURATA, GRM155R71H104KE14D |
| 15 | 0 | C40, C41(OPT) | CAP, 0805 | |
| 16 | 2 | D1, D2 | DIODE, DFSL260, POWER-DI-123 | DIODES/ZETEX, DFSL260-7 |
| 17 | 1 | D3 | DIODE, PDS360, POWER-DI-5 | DIODES/ZETEX, PDS360-13 |
| 18 | 6 | D6-D11 | DIODE, PMEG6010CEJ SOD-323 | NXP, PMEG6010CEJ, 115 |
| 19 | 1 | FB1 | BEAD, CHIP, 742792150 | WURTH ELEKTRONIK, 742792150 |
| 20 | 2 | L1, L2 | INDUCTOR, 33µH, | WURTH ELEKTRONIK, 7447789133 |
| 21 | 1 | L3 | INDUCTOR, 15µH | WURTH ELEKTRONIK, 7443551151 |
| 22 | 1 | L4 | IND., 47µH, SD SERIES, IND-SD25 | EATON BUSSMANN, SD25-470-R |
| 23 | 1 | L6 | INDUCTOR, 10µH | WURTH ELEKTRONIK, 7443251000 |
| 24 | 2 | M1, M2 | N-CH MOSFET, Si7308DN, POWERPAK-1212-8 | VISHAY, Si7308DN-T1-GE3 |
| 25 | 1 | M3 | N-CH MOSFET, Si7850DP, POWERPAK S08 | VISHAY, Si7850DP-T1-GE3 |
| 26 | 2 | M4, M5 | P-CH MOSFET, Si7611DN, POWERPAK-1212-8 | VISHAY, Si7611DN-T1-GE3 (LEAD-FREE #) |

DEMO MANUAL DC2218A

PARTS LIST

| ITEM | QTY | REFERENCE | PART DESCRIPTION | MANUFACTURER/PART NUMBER |
|------|-----|---------------|---------------------------------------|------------------------------|
| 27 | 1 | R10 | RES., 47.5k, 1/16W, 1% 0402 | VISHAY, CRCW040247K5FKED |
| 28 | 2 | R11, R12 | RES., 5.6k, 1/16W, 5% 0402 | VISHAY, CRCW04025K60JNED |
| 29 | 1 | R13 | RES., 15k, 1/16W, 5% 0402 | VISHAY, CRCW040215K0JNED |
| 30 | 1 | R15 | RES., 0.02Ω, 0.5W, 1% 1206 | SUSUMU, RL1632R-R020-F |
| 31 | 2 | R16, R17 | RES., 0.05Ω, 0.5W, 1% 1206 | SUSUMU, RL1632R-R050-F |
| 32 | 2 | R25, R26 | RES., 0.5Ω, 0.5W, 1% 1206 | SUSUMU, RL1632R-R500-F |
| 33 | 2 | R28, R31 | RES., 44.2k, 1/16W, 1% 0402 | VISHAY, CRCW040244K2FKED |
| 34 | 3 | R29, R30, R35 | RES., 1M, 1/10W, 1% 0603 | VISHAY, CRCW06031M00FKEA |
| 35 | 1 | R32 | RES., 43.2k, 1/16W, 1% 0402 | VISHAY, CRCW040243K2FKED |
| 36 | 3 | R33, R38, R39 | RES., 10k, 1/10W, 1% 0603 | VISHAY, CRCW060310R0FKEA |
| 37 | 1 | R40 | RES., 249k, 1/16W, 1% , 0402 | VISHAY, CRCW0402249KFKED |
| 38 | 1 | R41 | RES., 38.3k, 1/16W, 1% , 0402 | VISHAY, CRCW040238K3FKED |
| 39 | 2 | R42, R43 | RES., 100k, 1/10W, 1%, 0603 | VISHAY, CRCW0603100KFKEA |
| 40 | 1 | R45 | RES., 100k, 1/16W, 1% , 0402 | VISHAY, CRCW0402100KFKED |
| 41 | 1 | U3 | I.C., LT3797EUKG QFN(52)(UKG)-7MMX8MM | LINEAR TECH., LT3797EUKG#PBF |

Additional Demo Board Circuit Components

| | | | | |
|----|----|--------------------|---|---------------------------------|
| 1 | 1 | DC2026C | LINDUINO DEMO BOARD | |
| 2 | 2 | C7, C8 | CAP, 0.1μF, X7R, 16V, 10%, 0603 | MURATA, GRM188R71C104KA01D |
| 3 | 3 | C10, C11, C13 | CAP, 1μF, X7R, 16V, 10%, 0603 | MURATA, GRM188R71C105KA12D |
| 4 | 1 | C14 | CAP, 0.22μF, X5R, 6.3V 10%, 0402 | MURATA, GRM155R60J224KE01D |
| 5 | 1 | C15 | CAP, 1μF, X7R, 50V, 10%, 0805 | MURATA, GRM21BR71H105KA12L |
| 6 | 1 | C16 | CAP, 22μF, X7R, 6.3V, 20%, 1206 | MURATA, GRM31CR70J226KE19L |
| 7 | 1 | C18 | CAP, 22pF, NPO, 5% 50V, 0402 | MURATA, GRM1555C1H220JA01D |
| 8 | 1 | D14 | LED, GREEN, DIFFUSED, 0805 | AVAGO, HSMG-C170 |
| 9 | 1 | D31 | LED, YELLOW, DIFFUSED, 0805 | AVAGO, HSMY-C170 |
| 10 | 1 | D32 | LED, RED | WURTH ELEKTRONIK, 150080SS75000 |
| 11 | 1 | L5 | IND, 33μH | TOKO, A914BYW-330M=P3 |
| 12 | 16 | LED1-LED16 | LED, XLAMP XP-E2 SERIES | CREE INC., XPEBWT-L1-0000-00D50 |
| 13 | 3 | Q1, Q2, Q3 | TRANSISTOR, MOSFET, N-CH 60V, 150mA, SOT-23 | DIODES INC., VN10LFTA |
| 14 | 1 | R9 | RES., 57.6k, 1/10W, 1%, 0603 | VISHAY, CRCW060357K6FKEA |
| 15 | 1 | R14 | POT, 10k, 10%, 1 TURN | BOURNS, 91A1A-B28-A15L |
| 16 | 3 | R20, R21, R48 | RES., 1k, 1/10W, 1%, 0603 | VISHAY, CRCW06031K00FKEA |
| 17 | 1 | R22 | RES., 10k, 1/10W, 1%, 0603 | VISHAY, CRCW060310K0FKEA |
| 18 | 1 | R23 | RES., 604k, 1/16W, 1% , 0402 | VISHAY, CRCW0402604KFKED |
| 19 | 1 | R24 | RES., 200k, 1/16W, 1% , 0402 | VISHAY, CRCW0402200KFKED |
| 20 | 1 | R27 | RES., 100Ω, 1/10W, 5% 0603 | VISHAY, CRCW0603100RJNEA |
| 21 | 3 | R34, R36, R37 | RES., 5.1k, 1/10W, 5% 0603 | VISHAY, CRCW06035K10JNEA |
| 22 | 1 | R46 | RES., 2.49k, 1W, 5% 2512 | VISHAY, CRCW25122K49FKEG |
| 23 | 4 | R49, R50, R51, R52 | RES., 0Ω, 1/10W, 0603 | VISHAY, CRCW06030000Z0EA |
| 24 | 2 | R53, R54 | RES., 0Ω, 1/16W, 0402 | VISHAY, CRCW04020000Z0ED |

PARTS LIST

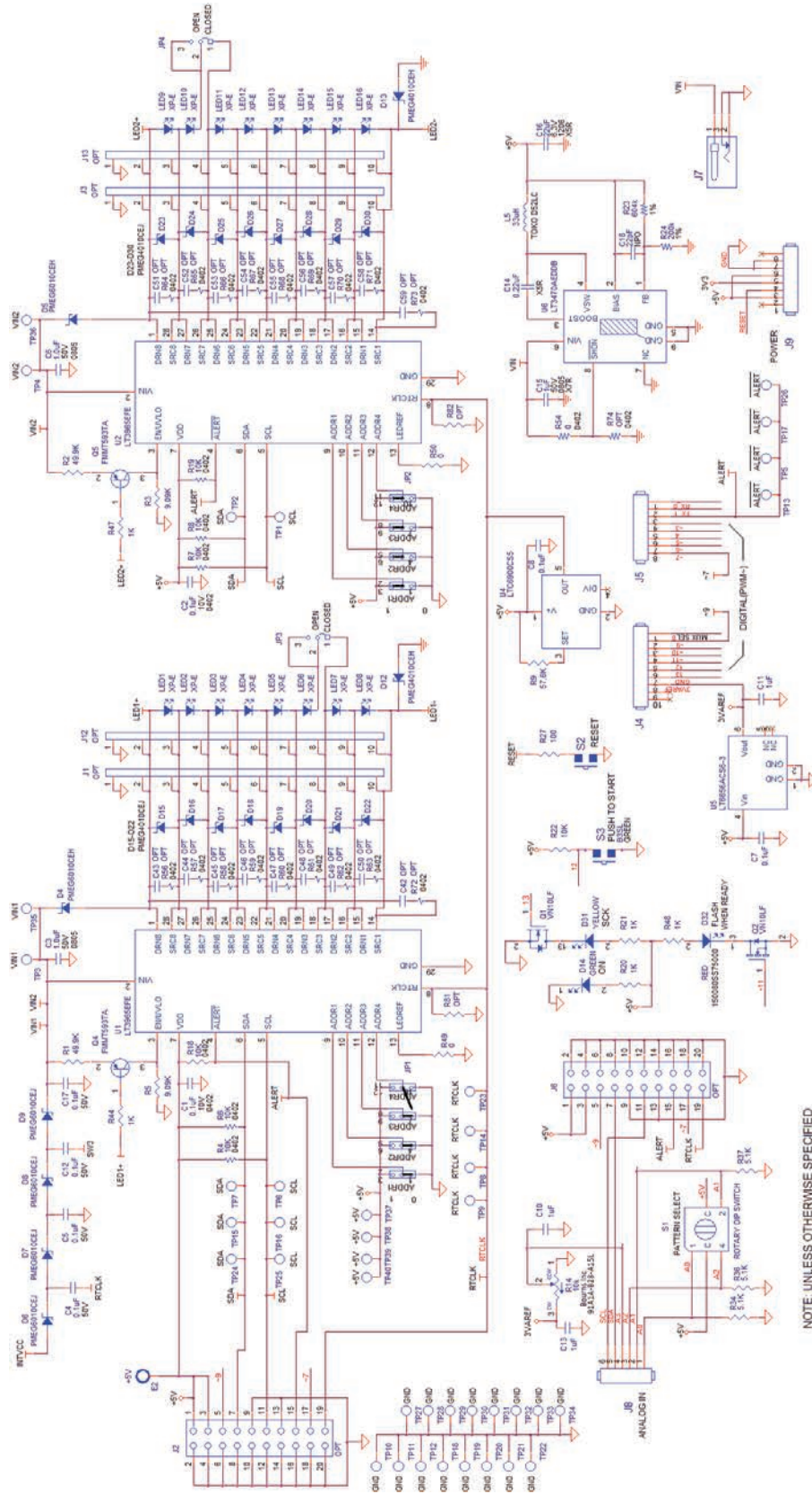
| ITEM | QTY | REFERENCE | PART DESCRIPTION | MANUFACTURER/PART NUMBER |
|------|-----|--------------------|----------------------------|--------------------------------|
| 25 | 0 | R55, R81, R82(OPT) | RES., OPTION, 0603 | |
| 26 | 0 | R56-R79(OPT) | RES., OPTION, 0402 | |
| 27 | 0 | R80(OPT) | RES., OPTION, 2512 | |
| 28 | 1 | U4 | I.C., LTC6900, TSOT-23-5 | LINEAR TECH., LTC6900CS5#PBF |
| 29 | 1 | U5 | I.C., LT6656 TSOT-23-6 | LINEAR TECH., LT6656ACS6-3#PBF |
| 30 | 1 | U6 | I.C., LT3470AEDDB, DFN8DDB | LINEAR TECH., LT3470AEDDB#PBF |

Hardware: For Demo Board Only

| | | | | |
|----|----|------------------------------------|--|-----------------------------------|
| 1 | 6 | E1-E6 | TESTPOINT, TURRET, 0.094" pbf | MILL-MAX, 2501-2-00-80-00-00-07-0 |
| 2 | 6 | E7-E12 | TESTPOINT, TURRET, 0.064" MTG. HOLE | MILL-MAX, 2308-2-00-80-00-00-07-0 |
| 3 | 10 | JP1(4 ea), JP2(4 ea), JP3, JP4 | HEADER, 3 PIN 0.079" SINGLE ROW | WURTH ELEKTRONIK, 62000311121 |
| 4 | 10 | xJP1(4 ea), xJP2(4 ea), xJP3, xJP4 | SHUNT, 0.079" CENTER | WURTH ELEKTRONIK, 60800213421 |
| 5 | 0 | J1, J3, J12, J13(OPT) | | |
| 6 | 0 | J2 (OPT) | R ANGLED HEADER, 2X10, 0.1" | WURTH ELEKTRONIK, 61302021021 |
| 7 | 1 | J4 | HEADER, 10PIN, 0.100 SINGLE ROW | WURTH ELEKTRONIK, 61301011121 |
| 8 | 2 | J5, J9 | HEADER, 8PIN, 0.100 SINGLE ROW | WURTH ELEKTRONIK, 61300811121 |
| 9 | 0 | J6 (OPT) | R ANGLED SOCKET HEADER, 2X10, 0.1" | WURTH ELEKTRONIK, 613020243121 |
| 10 | 1 | J7 THROUGH HOLE | CONNECTOR, POWER JACK, 2.1mm | CUI INC., PJ-002AH |
| 11 | 1 | J8 | HEADER, 6PIN, 0.100 SINGLE ROW | WURTH ELEKTRONIK, 61300611121 |
| 12 | 2 | J10, J11 | CONNECTOR, BANANA JACK | KEYSTONE, 575-4 |
| 13 | 8 | MH1-MH8 | STAND-OFF, NYLON, 22.2mm | WURTH ELEKTRONIK, 702938000 |
| 14 | 2 | ACRYLIC-SHIELD | ACRYLIC-SHIELD, 1/8" THICK, SMOKE (GRAY COLOR) | JB MACHINING, 2074 |
| 15 | 6 | STANDOFF | NYLON, 0.75" | KEYSTONE, 1903D |
| 16 | 6 | SPACER | NYLON, 0.5" | KEYSTONE, 886 |
| 17 | 6 | SCREW | NYLON, 1.25" | KEYSTONE, 9340 |
| 18 | 1 | S1 | SWITCH, ROTARY, 8 POSITIONS | APEM, PT65526 |
| 19 | 1 | S2 | SWITCH, PUSHBUTTON, MINIATURE | WURTH ELEKTRONIK, 434111025826 |
| 20 | 1 | S3 | SWITCH, B3SL SERIES | OMRON, B3SL-1002P |

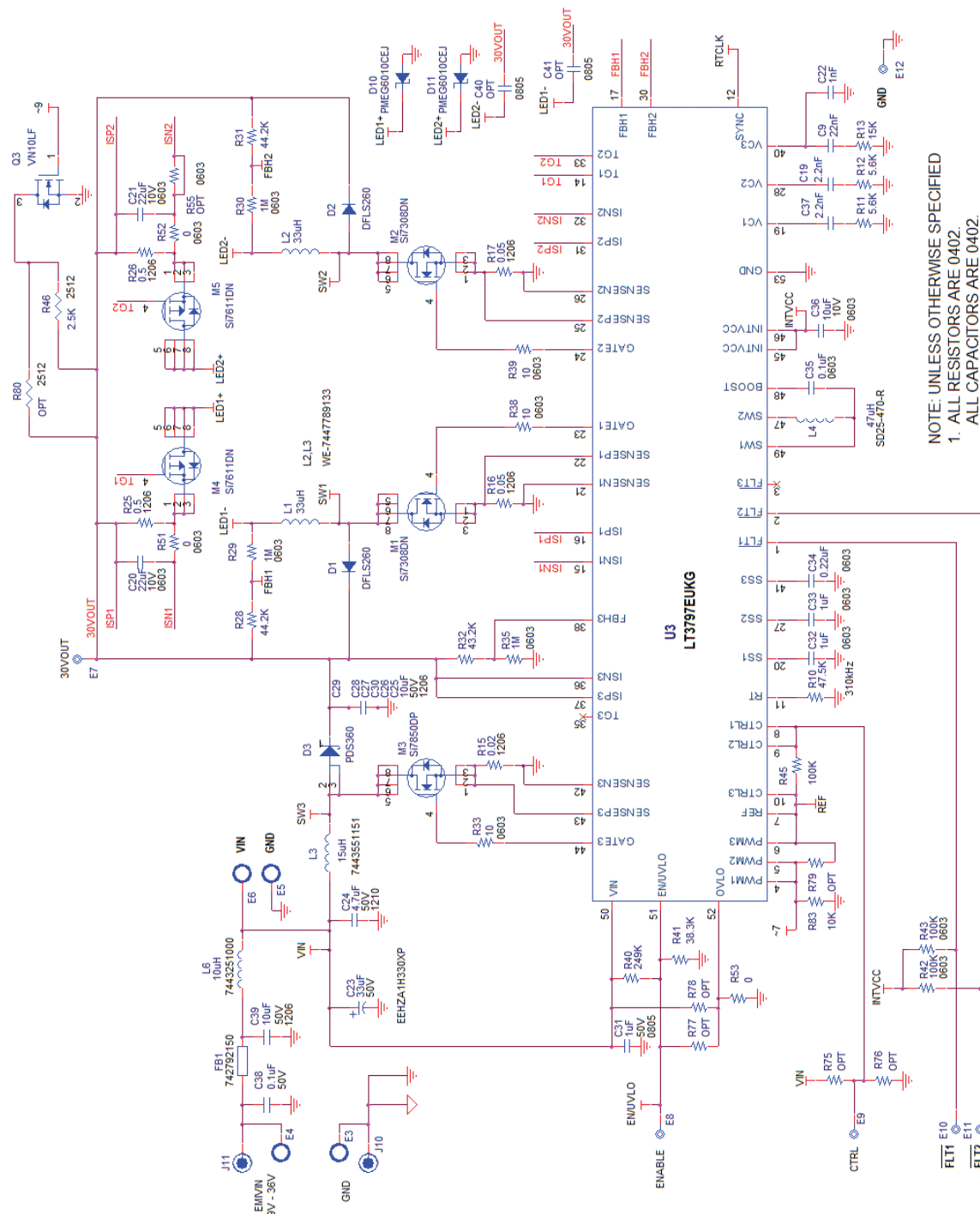
DEMO MANUAL DC2218A

SCHEMATIC DIAGRAM



NOTE: UNLESS OTHERWISE SPECIFIED
1. ALL RESISTORS ARE 0603
ALL CAPACITORS ARE 0603

SCHEMATIC DIAGRAM



NOTE: UNLESS OTHERWISE SPECIFIED
 1. ALL RESISTORS ARE 0402.
 ALL CAPACITORS ARE 0402.



Information furnished by Linear Technology Corporation is believed to be accurate and reliable. However, no responsibility is assumed for its use. Linear Technology Corporation makes no representation that the interconnection of its circuits as described herein will not infringe on existing patent rights.

DEMO MANUAL DC2218A

DEMONSTRATION BOARD IMPORTANT NOTICE

Linear Technology Corporation (LTC) provides the enclosed product(s) under the following **AS IS** conditions:

This demonstration board (DEMO BOARD) kit being sold or provided by Linear Technology is intended for use for **ENGINEERING DEVELOPMENT OR EVALUATION PURPOSES ONLY** and is not provided by LTC for commercial use. As such, the DEMO BOARD herein may not be complete in terms of required design-, marketing-, and/or manufacturing-related protective considerations, including but not limited to product safety measures typically found in finished commercial goods. As a prototype, this product does not fall within the scope of the European Union directive on electromagnetic compatibility and therefore may or may not meet the technical requirements of the directive, or other regulations.

If this evaluation kit does not meet the specifications recited in the DEMO BOARD manual the kit may be returned within 30 days from the date of delivery for a full refund. **THE FOREGOING WARRANTY IS THE EXCLUSIVE WARRANTY MADE BY THE SELLER TO BUYER AND IS IN LIEU OF ALL OTHER WARRANTIES, EXPRESSED, IMPLIED, OR STATUTORY, INCLUDING ANY WARRANTY OF MERCHANTABILITY OR FITNESS FOR ANY PARTICULAR PURPOSE. EXCEPT TO THE EXTENT OF THIS INDEMNITY, NEITHER PARTY SHALL BE LIABLE TO THE OTHER FOR ANY INDIRECT, SPECIAL, INCIDENTAL, OR CONSEQUENTIAL DAMAGES.**

The user assumes all responsibility and liability for proper and safe handling of the goods. Further, the user releases LTC from all claims arising from the handling or use of the goods. Due to the open construction of the product, it is the user's responsibility to take any and all appropriate precautions with regard to electrostatic discharge. Also be aware that the products herein may not be regulatory compliant or agency certified (FCC, UL, CE, etc.).

No License is granted under any patent right or other intellectual property whatsoever. **LTC assumes no liability for applications assistance, customer product design, software performance, or infringement of patents or any other intellectual property rights of any kind.**

LTC currently services a variety of customers for products around the world, and therefore this transaction **is not exclusive**.

Please read the DEMO BOARD manual prior to handling the product. Persons handling this product must have electronics training and observe good laboratory practice standards. **Common sense is encouraged.**

This notice contains important safety information about temperatures and voltages. For further safety concerns, please contact a LTC application engineer.

Mailing Address:

Linear Technology
1630 McCarthy Blvd.
Milpitas, CA 95035

Copyright © 2004, Linear Technology Corporation