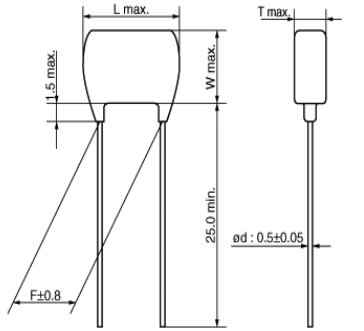
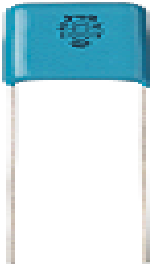


RPEE41H225M6B1F14B

Discontinued General RoHS REACH 85 °C max. Low acoustic noise Deflecting crack Soldering crack Flow OK Welding

Appearance & Shape



· Lead Wire : Solder Coated Copper Wire or Solder Coated CP Wire

(in mm)

References

Packaging	Specifications	Standard Packing Quantity
B	Bulk(Bag)	500

Mass (typ.)	
1 piece	0.68g

Notices

In case of automotive use, alternative part is RCE series.

Attention

- 1.This datasheet is downloaded from the website of Murata Manufacturing Co., Ltd. Therefore, it's specifications are subject to change or our products in it may be discontinued without advance notice. Please check with our sales representatives or product engineers before ordering.
- 2.This datasheet has only typical specifications because there is no space for detailed specifications. Therefore, please review our product specifications or consult the approval sheet for product specifications before ordering.

RPEE41H225M6B1F14B

Specifications

L size or Outer diameter D	10.0mm max.
Width	10.0mm max.
T size	4.0mm max.
Lead spacing F	5.0±0.8mm
Lead diameter d	0.5±0.05mm
Capacitance	2.2µF ±20%
Rated voltage	50Vdc
Temperature characteristics	Z5U(EIA)
Capacitance change rate	+22/-56%
Temperature range of temperature characteristics	10°C to 85°C
Operating Temperature Range	10°C to 85°C

Attention

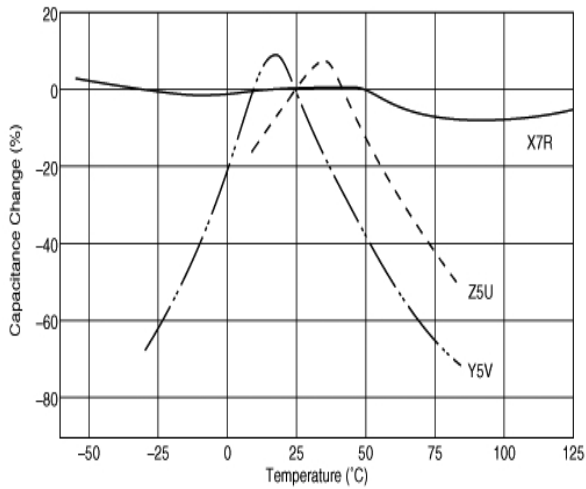
1.This datasheet is downloaded from the website of Murata Manufacturing Co., Ltd. Therefore, it's specifications are subject to change or our products in it may be discontinued without advance notice. Please check with our sales representatives or product engineers before ordering.

2.This datasheet has only typical specifications because there is no space for detailed specifications.

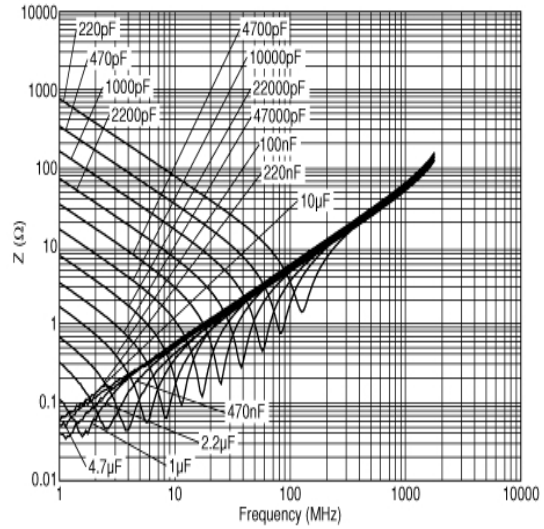
Therefore, please review our product specifications or consult the approval sheet for product specifications before ordering.

RPEE41H225M6B1F14B

Characteristic Data



Capacitance - temperature characteristics



Impedance - frequency characteristics

Attention

- 1.This datasheet is downloaded from the website of Murata Manufacturing Co., Ltd. Therefore, it's specifications are subject to change or our products in it may be discontinued without advance notice. Please check with our sales representatives or product engineers before ordering.
- 2.This datasheet has only typical specifications because there is no space for detailed specifications. Therefore, please review our product specifications or consult the approval sheet for product specifications before ordering.