

RoHS COMPLIANT



BOURNS®

Features

- Available sharp click feel with a positive tactile feedback
- Ultra-miniature and lightweight structure suitable for high density mounting
- Economical with high reliability
- RoHS compliant*



- Insert molding in the contact with special treatment prevents flux buildup during soldering and permits autodipping

SDT Series Tact Switch

Electrical Characteristics

Electrical Life

.....500,000 cycles min. for 260 g
 1,000,000 cycles min. for 100 g, 160 g
 RatingDC 12 V 50 mA
 Contact Resistance100 milliohms max.
 Insulation Resistance
100 megohms, DC 500 V min.
 Dielectric Strength250 V AC for 1 minute
 Contact Arrangement1 pole 1 position

Environmental Characteristics

Operation Force260 g ±50 g,
 160 g ±50 g, 100 g ±50 g
 Stop StrengthPlace the switch such
 that vertical, a static load of 3 kg shall
 be applied in the direction of actuator
 operation for a period of 15 sec.

Stroke

6mm type0.25 + 0.2/- 0.1 mm
 12mm type0.35 ± 0.1 mm
 Temperature Range-20 °C to +70 °C
 Vibration TestMil-STD-202F,
 Method 201A

Frequency10-55-10 Hz/1 minute
 DirectionsX,Y,Z, three mutually
 perpendicular directions
 Time2 hours each direction.
 High reliability
 Shock TestMIL-STD-202F,
 Method 213B, Condition A
 Gravity50 G (peak value), 11 msec
 Direction & Times6 sides and
 3 times in each direction.
 High reliability

Physical Characteristics

Cover Materials

.....Steel
 Base MaterialsUL94V-0 PBT plus glass
 fiber reinforced

Cover/Base Color

.....Black
 Actuator MaterialsDulacron POM
 plus glass fiber reinforced

Actuator Color

.....Black, brown, red
 Contact Disc MaterialsPhosphor bronze
 with silver cladding

Terminal Materials

.....Brass with silver cladding

Hand Soldering Process

.....350 °C ±10 °C / 5 seconds max.

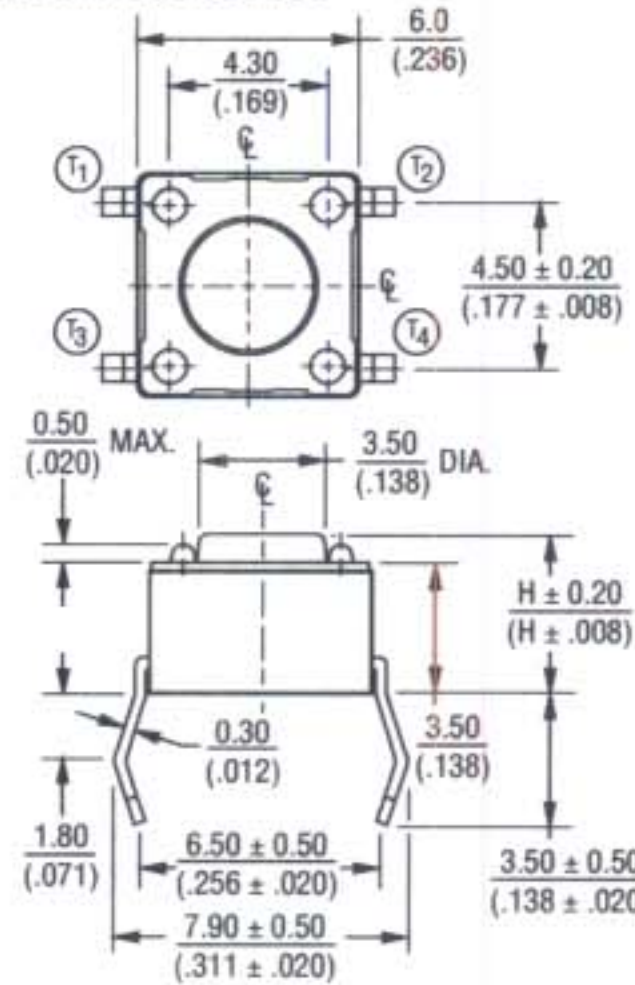
Wave Soldering Process

.....Preheat 100 °C / 60 seconds
 260 °C ±5 °C / 5 seconds

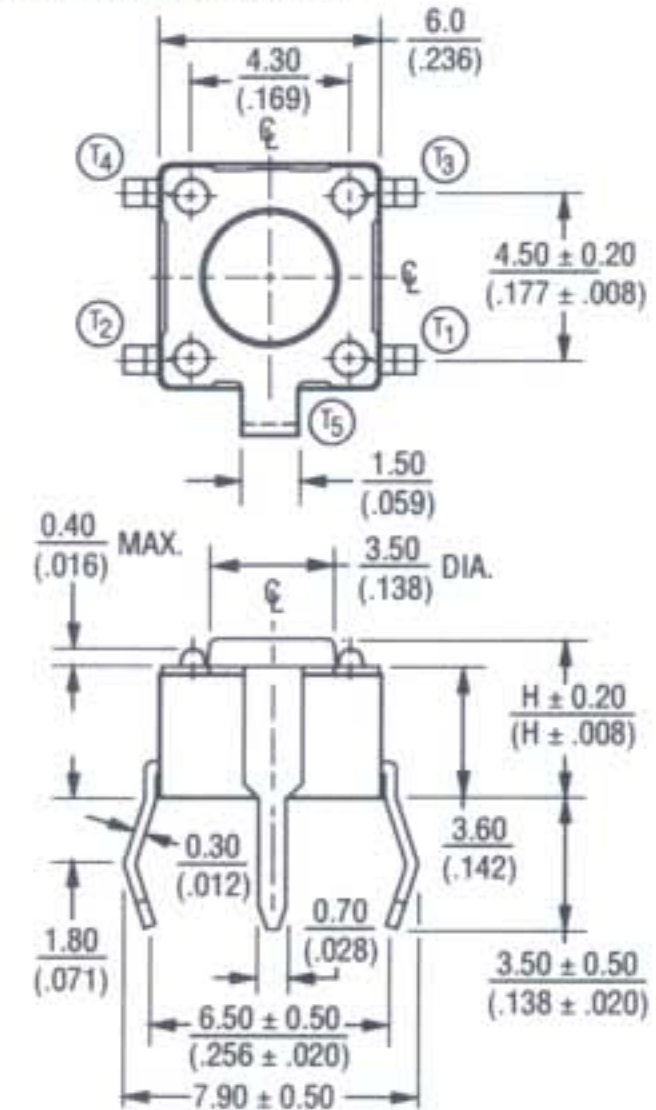
Packaging1,000 pieces per bag

Product Dimensions

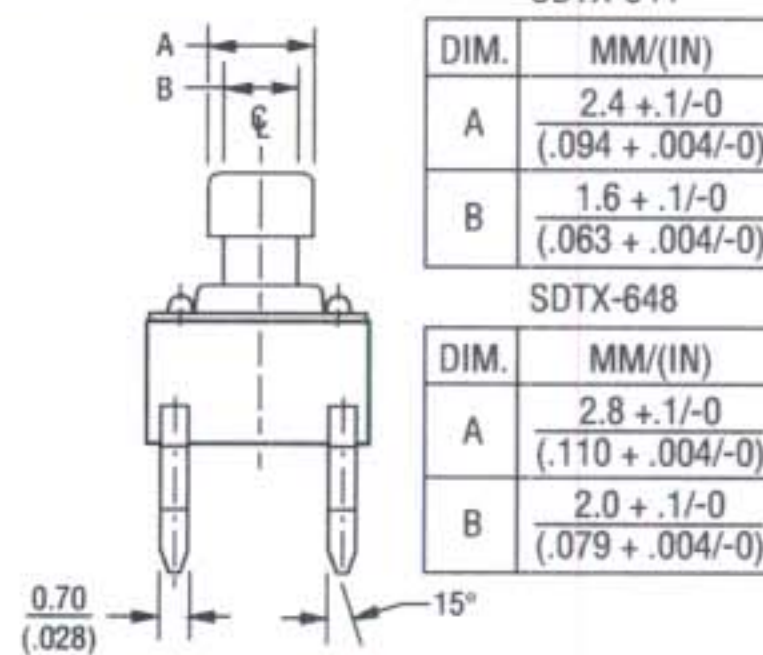
SDTX-610/620/630/650/660



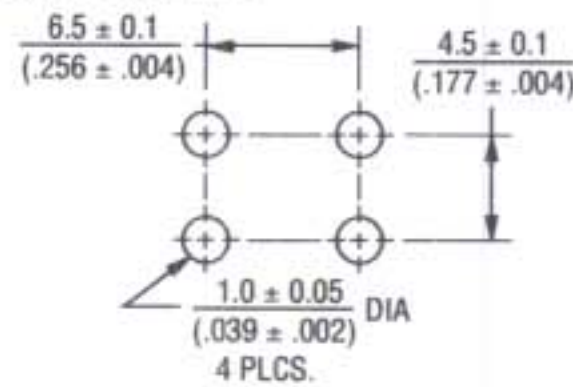
SDTG-610/620/630/650/660



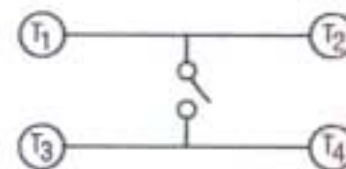
SDTX-644/648



RECOMMENDED PCB LAYOUT

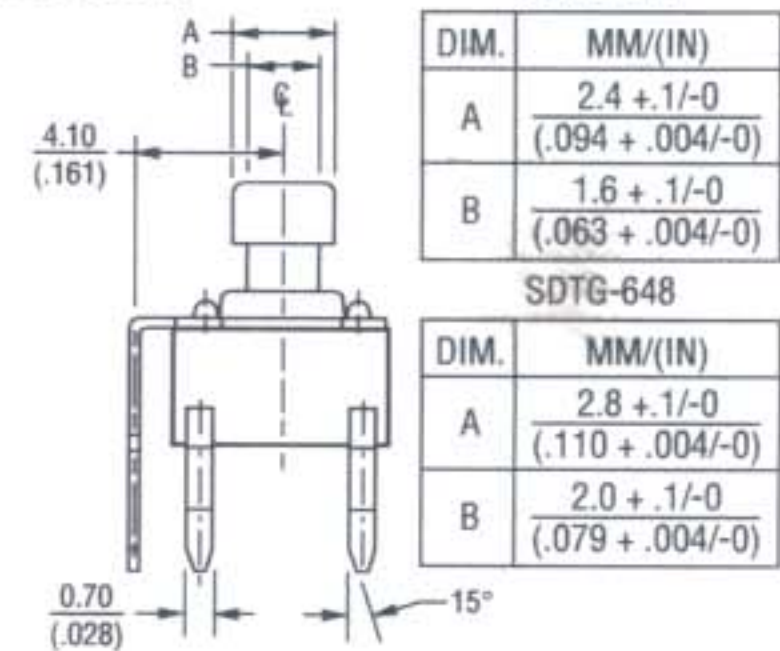


CIRCUIT DIAGRAM

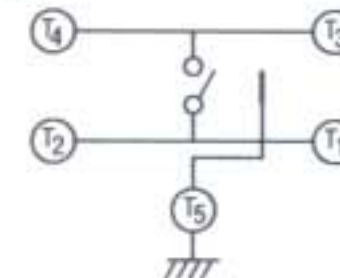


DIMENSIONS: MM
(IN)

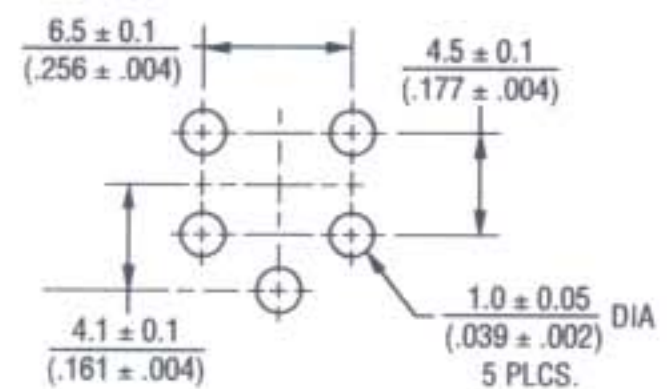
SDTG-644/648



CIRCUIT DIAGRAM



RECOMMENDED PCB LAYOUT



OBSOLETE

*RoHS Directive 2002/95/EC Jan 27 2003 including Annex.
 Specifications are subject to change without notice.
 Customers should verify actual device performance in their specific applications.

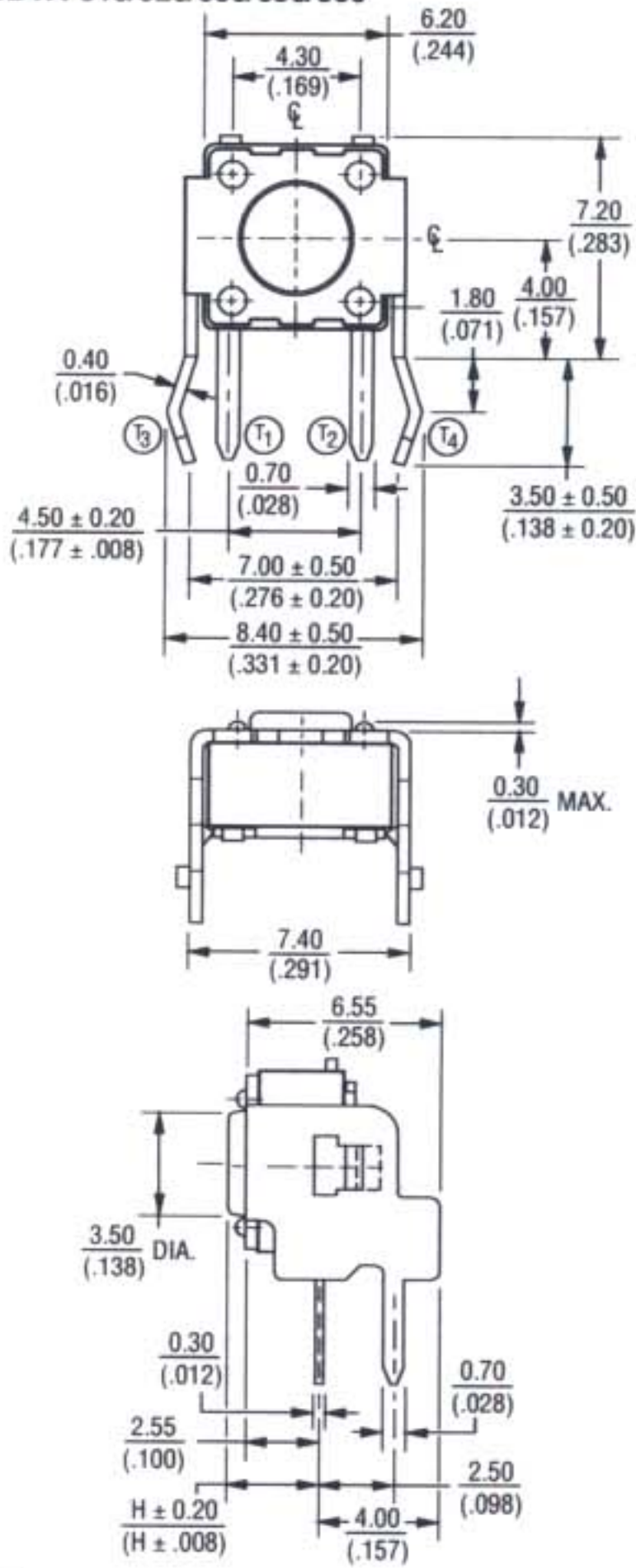
OBSOLETE

SDT Series Tact Switch

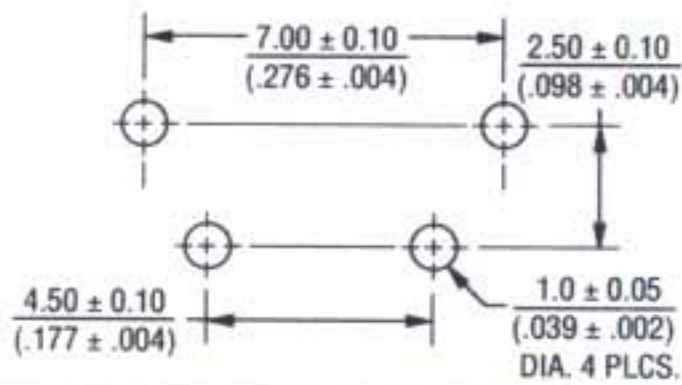
BOURNS®

Product Dimensions

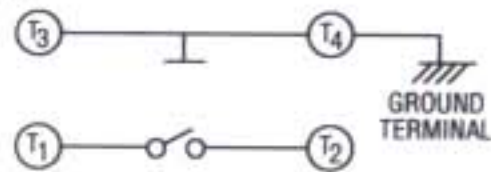
SDTA-610/620/630/650/660



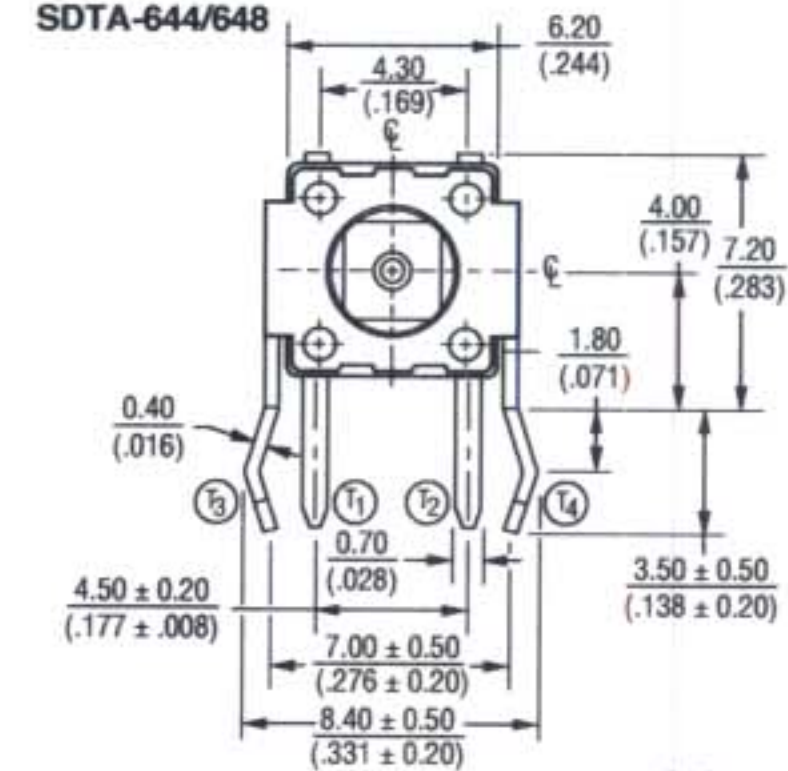
RECOMMENDED PCB LAYOUT



CIRCUIT DIAGRAM



SDTA-644/648

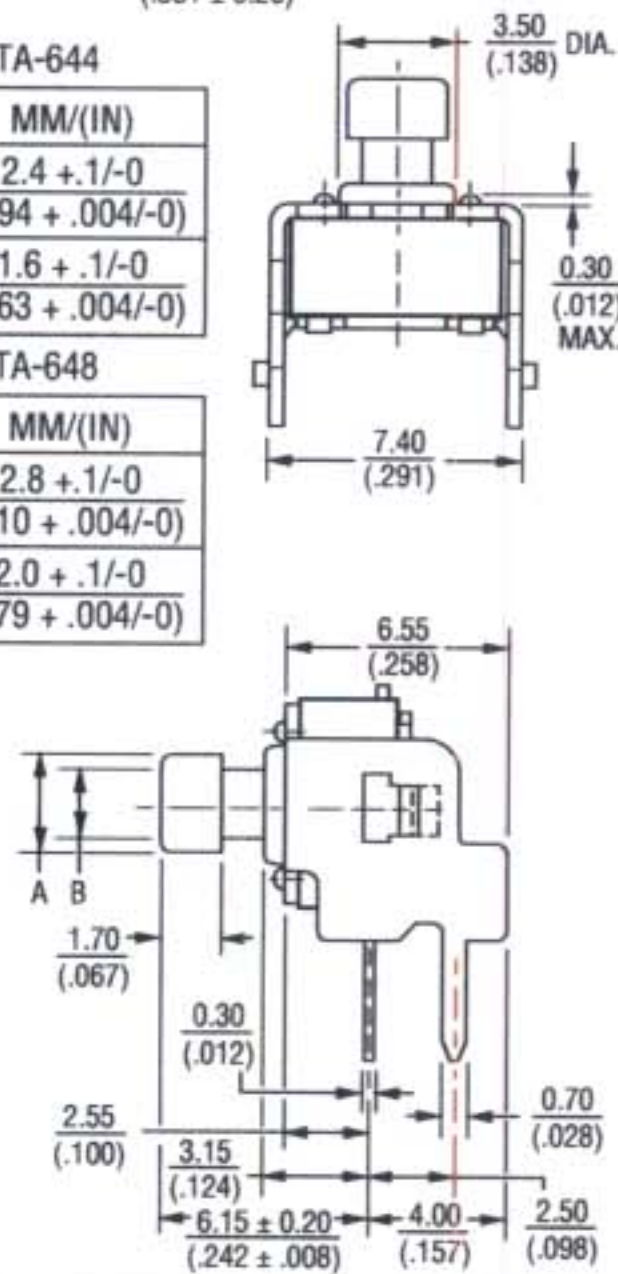


SDTA-644

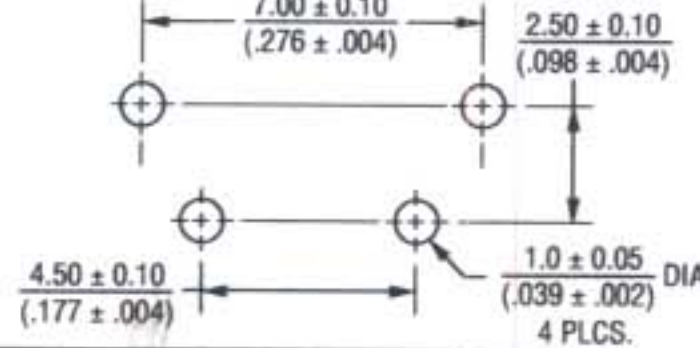
DIM.	MM/(IN)
A	2.4 +.1/-0 (.094 +.004/-0)
B	1.6 +.1/-0 (.063 +.004/-0)

SDTA-648

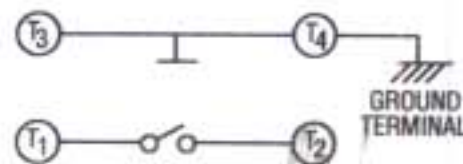
DIM.	MM/(IN)
A	2.8 +.1/-0 (.110 +.004/-0)
B	2.0 +.1/-0 (.079 +.004/-0)



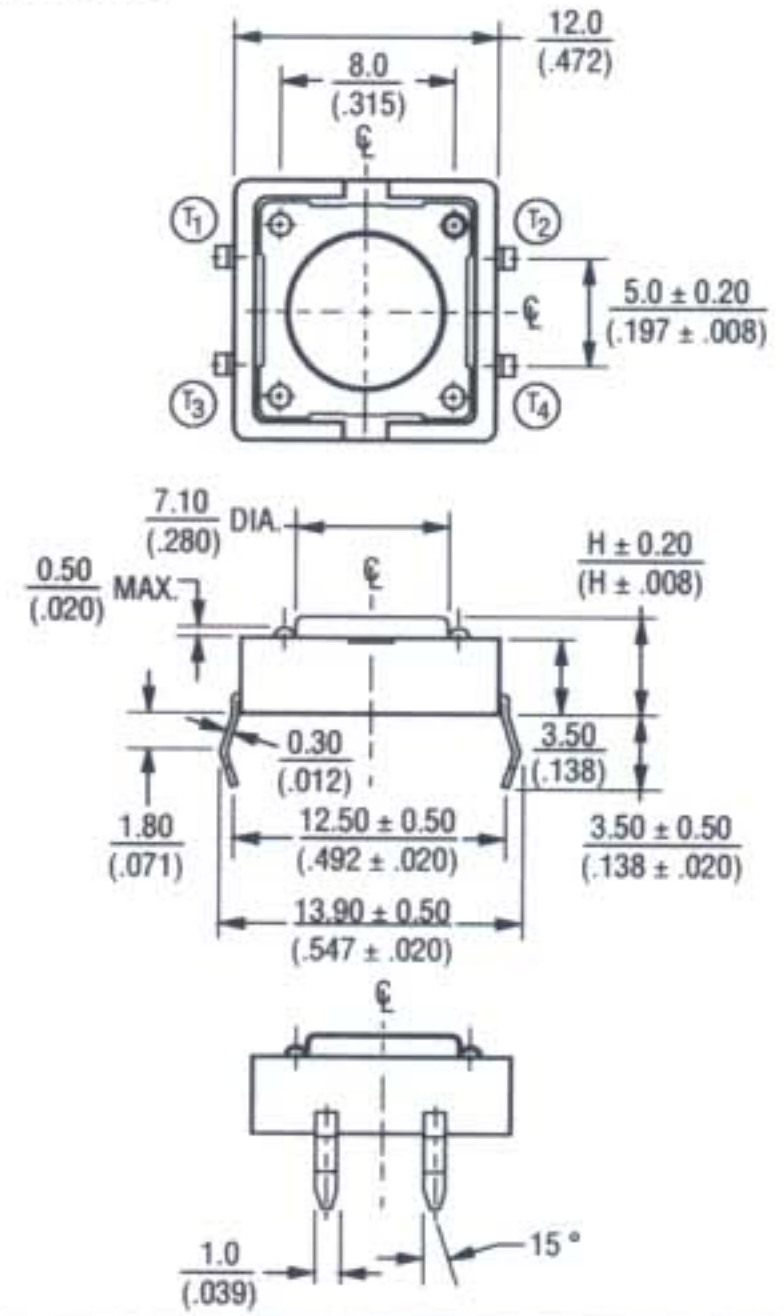
RECOMMENDED PCB LAYOUT



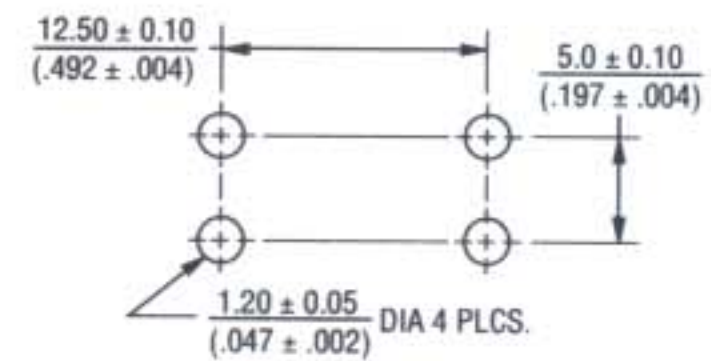
CIRCUIT DIAGRAM



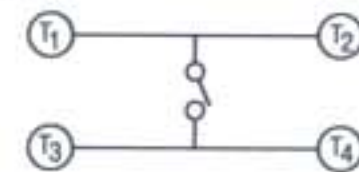
SDTX-210



RECOMMENDED PCB LAYOUT



CIRCUIT DIAGRAM



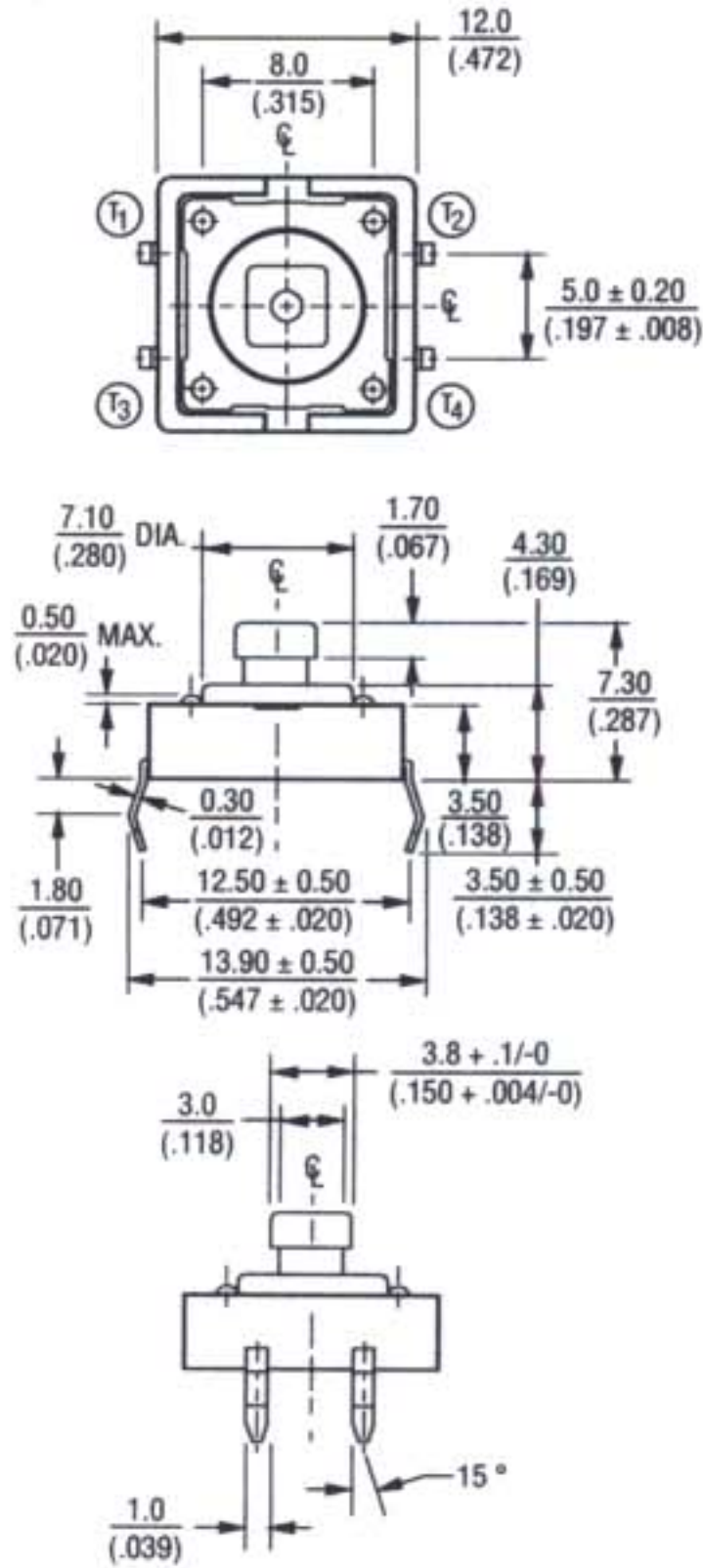
Specifications are subject to change without notice. Customers should verify actual device performance in their specific applications.

SDT Series Tact Switch

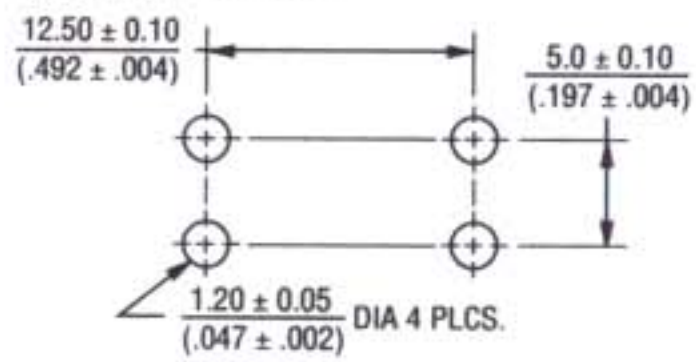
BOURNS®

Product Dimensions

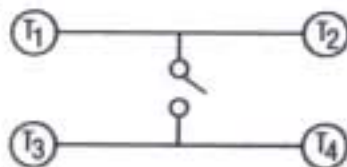
SDTX-244



RECOMMENDED PCB LAYOUT

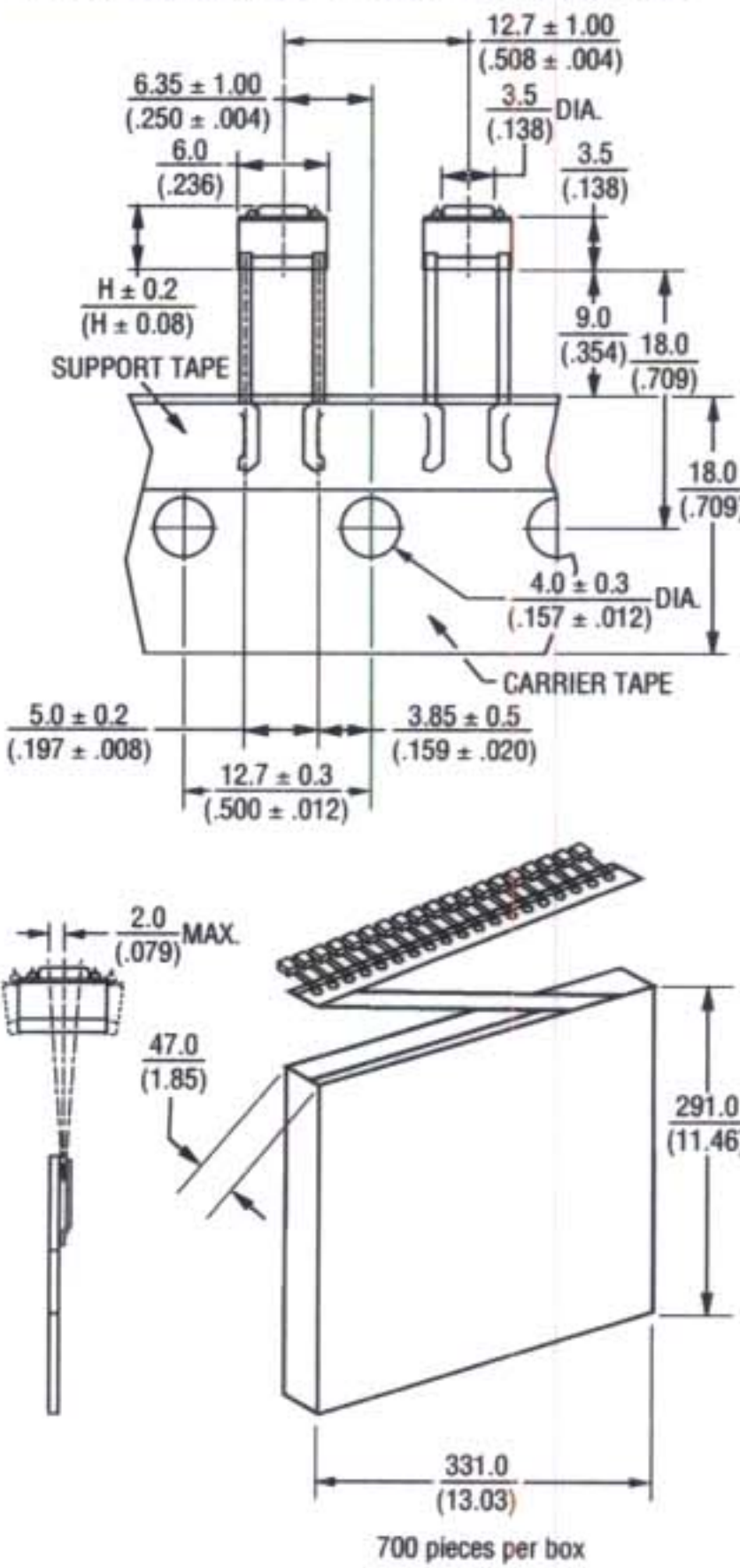


CIRCUIT DIAGRAM

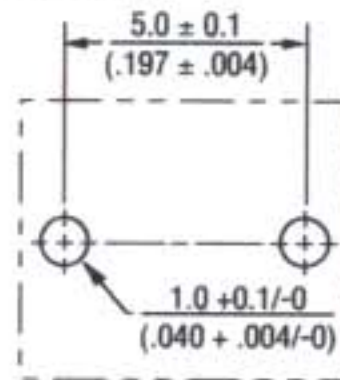


Packaging Specifications

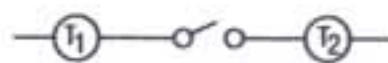
SDTX-610/620/630/644/648/650 Ammo Pack



RECOMMENDED PCB LAYOUT



CIRCUIT DIAGRAM



How to Order

SDT G - 6 10 - K AP

- Model _____
- Product Series _____
- X = Standard
 - G = Ground Terminal
 - A = Right Angle Type
- Body Size _____
- 6 = 6 mm
 - 2 = 12 mm *
- Distance From First Pin to Top of Head _____ (Right Angle Type)
- 10 = 3.15 mm
 - 20 = 3.85 mm
 - 30 = 5.85 mm
 - 44 = 6.15 mm (square head)
 - 48 = 6.15 mm (square head)
 - 50 = 8.35 mm
 - 60 = 11.85 mm
- Height (Standard Type)
- 10 = 4.3 mm
 - 20 = 5.0 mm
 - 30 = 7.0 mm
 - 44 = 7.3 mm x 2.4 mm (square head)
 - 48 = 7.3 mm x 2.8 mm (square head)
 - 50 = 9.5 mm
 - 60 = 13 mm
- Actuating Force _____
- K = 100 g (black head - 6 mm only)
 - N = 160 g (brown head)
 - R = 260 g (red head)
 - S = 320 g (salmon head - 6 mm only)
 - Y = 520 g (yellow head - 6 mm only)
- Packaging Option (SDTX only)
- AP = Ammo Pack
- * Options available:
- SDTX-210
 - SDTX-244

OBsolete

REV. 02/06

Specifications are subject to change without notice.
Customers should verify actual device performance in their specific applications.