

GRM1535C1H680JDD5#

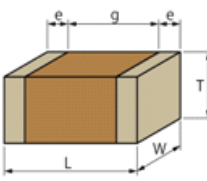

"#" indicates a package specification code.



Date of discontinuation: 30 Sep 2016

< List of part numbers with package codes >
GRM1535C1H680JDD5D , GRM1535C1H680JDD5J

Shape

L size	1.0 ±0.05mm
W size	0.5 ±0.05mm
T size	0.3 ±0.03mm
External terminal width e	0.1 to 0.3mm
Distance between external terminals g	0.4mm min.
Size code in inch(mm)	0402 (1005M)

Notes

Please use replacements or Recommended.

References

Packaging	Specifications	Minimum quantity
D	φ180mm Paper taping	10000
J	φ330mm Paper taping	50000

Mass (typ.)	
1 piece	1.0mg
φ180mm Reel	88g

Specifications

Capacitance	68pF ±5%
Rated voltage	50Vdc
Temperature characteristics (complied standard)	C0G(EIA)
Temperature coefficient	0±30ppm/°C
Temperature range of temperature characteristics	25 to 125°C
Operating temperature range	-55 to 125°C

Attention

- 1.This datasheet is downloaded from the website of Murata Manufacturing Co., Ltd. Therefore, it's specifications are subject to change or our products in it may be discontinued without advance notice. Please check with our sales representatives or product engineers before ordering.
- 2.This datasheet has only typical specifications because there is no space for detailed specifications. Therefore, please review our product specifications or consult the approval sheet for product specifications before ordering.