

**NEW AQY2C5R3PX | PhotoMOS CC TSON 1 Form A CxR**

[CAD data](#)
[Catalogs/Datasheets](#)
[FAQ](#)

[Share](#)
[Tweet](#)
[G+](#)

Print This Page



\*Photo may vary from actual product.

RoHS compliant
Lead Free

[A List of Part Numbers in This Series](#)

Product Number	<b>AQY2C5R3PX</b>
Part Number	<b>AQY2C5R3PX</b>
Details	<b>Load voltage:100 V</b>
Product name	<b>PhotoMOS CC TSON 1 Form A CxR</b>
Features	<b>Super miniature TSON package, Capacitor Coupled isolation type</b>

**CONTACT US BY EMAIL**

Please click your area to select country or region

- Asia-Pacific
- Middle East

Afghanistan

**BY PHONE**

- Singapore **+65-6390-3706**
- India **+91-124-4751300**
- Indonesia **+62-21-252-1616**
- Vietnam **+84-8-3813-4591**
- Thailand **+66-2-693-1870**
- Malaysia **+60-3-2297-6888**
- Philippines **+632-886-6291**
- Turkey **+90-216-681-0400**

[Distributors in Asia-Pacific, Middle East](#)

FAQ

**RECOMMENDS**

[Introduction to Automation Controls](#)



**FEATURES**

[A Vital Piece to the EV and HEV Puzzles](#)



[Panasonic Products for Energy Management](#)



[TOUGH for Mobiles](#)



[MID Solutions \(MIPTEC\)](#)

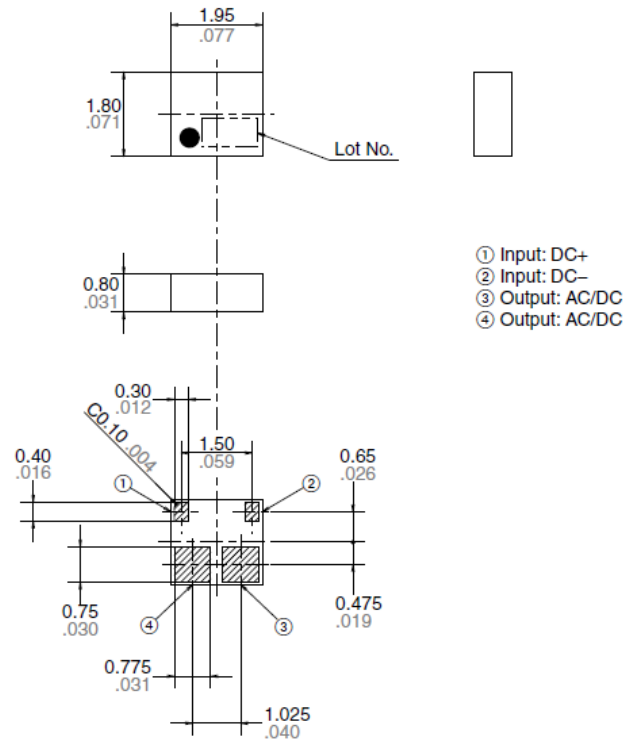


**Spec Detail**

As of May 16, 2018  
Specifications and design of the products are subject to change without notice for the product improvement.

Item	Specifications
Product Number	AQY2C5R3PX
Part Number	AQY2C5R3PX
Product name	CC TSON CxR
Type	CC
Package	TSON
Voltage type	AC/DC
Input voltage [ V <sub>IN</sub> ]	5.5 V
Input reverse voltage [ V <sub>RIN</sub> ]	0.2 V
Power dissipation [ P <sub>in</sub> ]	1.2 mW
Load voltage [ V <sub>L</sub> ]	100 V
Continuous load current [ I <sub>L</sub> ]	0.12 A
Peak load current [ I <sub>peak</sub> ]	0.3 A
Power dissipation [ P <sub>out</sub> ]	250 mW
Total power dissipation [ P <sub>t</sub> ]	250 mW
I/O isolation voltage [ V <sub>iso</sub> ]	200 Vrms
Ambient temperature: Operating [ T <sub>opr</sub> ]	-40 to +105°C -40 to +221°F

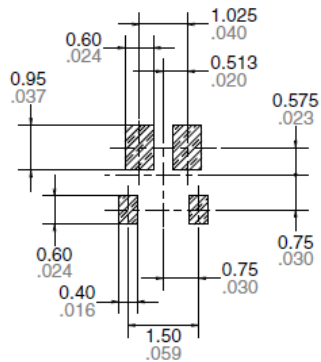
Ambient temperature: Storage [ $T_{stg}$ ]	-40 to +125°C -40 to +257°F
Operate voltage (Typical) [ $V_{Fon}$ ]	2.0 V
Operate voltage (Maximum) [ $V_{Fon}$ ]	2.5 V
Turn off voltage (Minimum) [ $V_{Foff}$ ]	0.5 V
Turn off voltage (Typical) [ $V_{Foff}$ ]	1.5 V
Input current (Typical) [ $I_{IN}$ ]	0.09 mA
Input current (Maximum) [ $I_{IN}$ ]	0.2 mA
On resistance (Typical) [ $R_{on}$ ]	9 ohm
ON resistance (Maximum) [ $R_{on}$ ]	14 ohm
Output capacitance (Typical) [ $C_{out}$ ]	5.8 pF
Output capacitance (Maximum) [ $C_{out}$ ]	8 pF
Off state leakage current (Maximum) [ $I_{Leak}$ ]	10nA
Over current protection	Nothing
Turn on time (Typical)	0.03 ms
Turn on time (Maximum)	0.2 ms
Turn off time (Typical)	0.04 ms
Turn off time (Maximum)	0.5 ms
I/O capacitance (Typical) [ $C_{iso}$ ]	1.2 pF
I/O capacitance (Maximum) [ $C_{iso}$ ]	3 pF
[Recommended operating conditions] Input voltage [ $V_{IN}$ ]	Min.: 3 V, Max.: 5 V
[Recommended operating conditions] Load voltage [ $V_L$ ]	Max.: 50 V
[Recommended operating conditions] Continuous load current [ $I_L$ ]	Max.: 0.12 A
Terminal shape	Surface-mount terminal
Contact arrangement	1 Form A
Packing style	Tape and reel packing style (X)
External dimensions	



mm inch General tolerance:  $\pm 0.2 \pm .008$

Recommended mounting pad (Top view)

Recommended mounting pad (Top view)



mm inch Tolerance:  $\pm 0.1 \pm .004$

[A List of Part Numbers in This Series](#)

[Return to top](#)

**CONTACT US** If you have any questions, please select the option below to contact us or find answers.

[CONTACT BY EMAIL / PHONE](#)

[FIND LOCAL OFFICE](#)

[SEARCH FAQ](#)

[Return to top](#)

**Customer Satisfaction Survey Questionnaire**

Please help us improve Panasonic Automation Controls website by completing our online survey.

We are always looking to make our website more user-friendly and comfortable for you.

We aim to use feedback positively to improve our website, please give us comments or requests you may have.

Please take a few moments to answer these questions about our website. Thank you.

Easy to understand :  yes  no  
 Easy to find the information you need :  yes  no  
 Practical for your work :  yes  no

[Comments about our website.](#)

[Home](#) [Business > Industrial Devices > Automation Controls Top > Components & Devices > Relays / Couplers > PhotoMOS > PhotoMOS CC TSON 1 Form A CxR > Part Number > AQY2C5R3PX](#)

Consumer [Digital Cameras](#) [Digital Video Cameras](#) [Technics](#) [SD Cards](#) [Batteries](#) [Air Conditioning](#) [Telephones](#) [Home Network System](#)  
[Faxes \(Drivers/Software\)](#) [Network Cameras](#) [Mobile Phones \(Software\)](#) [Video Intercom](#) [Tourist Models](#)

Business [Communication Solutions](#) [Security Systems](#) [Personal Computer](#) [Professional AV](#) [Document & Imaging Solutions](#)  
[Optical Disc Archive Solution](#) [Recording Media](#) [Video Intercom](#) [Air Conditioning](#) [Ventilation, Air Purification, etc.](#) [Photovoltaic](#)  
[Lighting](#) [Wiring Devices](#) [Factory Flexible wiring System](#) [Housing Equipment Devices](#) [Power Supply Solutions](#)  
[Industrial Devices & Solutions](#) [Semiconductor](#) [Automation Controls](#) [Targeting ITS by Panasonic](#) [Healthcare](#)

Support

[About Us](#) [Sustainability](#) [IR](#) [News](#) [Major Exhibitions](#) [Words of Wisdom](#)

[Print](#)

[Page top](#)

[Area / Country](#)

Copyright © Panasonic Corporation  
[Site Map](#) | [Terms of Use](#) | [Privacy](#) | [Global Home](#)