

# C1608C0G2A331K080AA

TDK Item Description : C1608C0G2A331KT\*\*\*\*

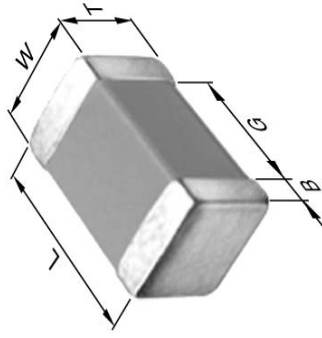


## Application & Main Feature

Commercial Grade ( Mid Voltage (100 to 630V) )

## Series

C1608 [EIA CC0603]



## Dimensions

L	1.60mm	+/-0.1mm
W	0.80mm	+/-0.1mm
T	0.80mm	+/-0.1mm
B	0.20mm	Min.
G	0.30mm	Min.

## Temperature Characteristic

C0G (-55 to 125 degC 0+/-30ppm/degC)

## Rated Voltage

2A (100Vdc)

## Capacitance

330pF

## Capacitance Tolerance

K (+/-10%)

## Q Factor

1000 Min.

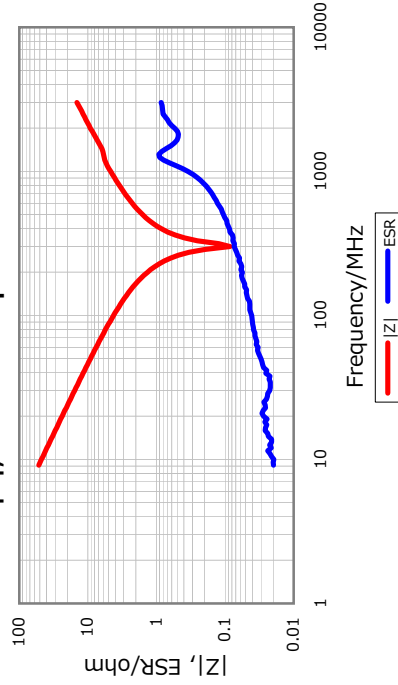
## Insulation Resistance

10Gohm Min.

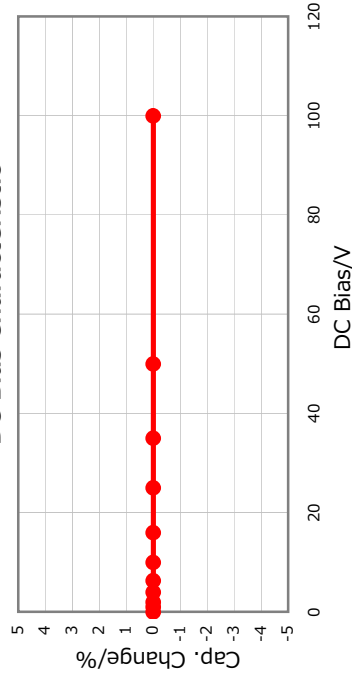
## AEC-Q200

Not Applicable

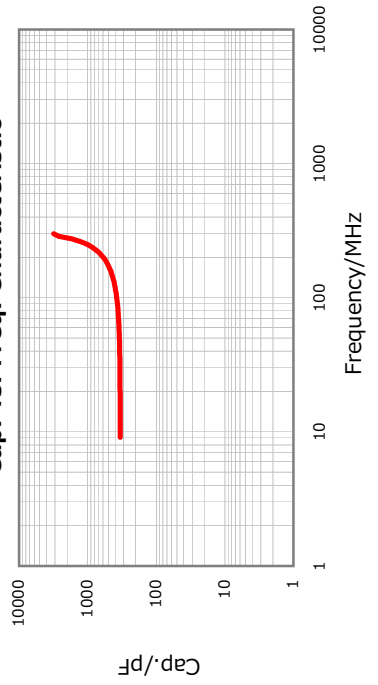
## |Z|, ESR vs. Freq. Characteristics



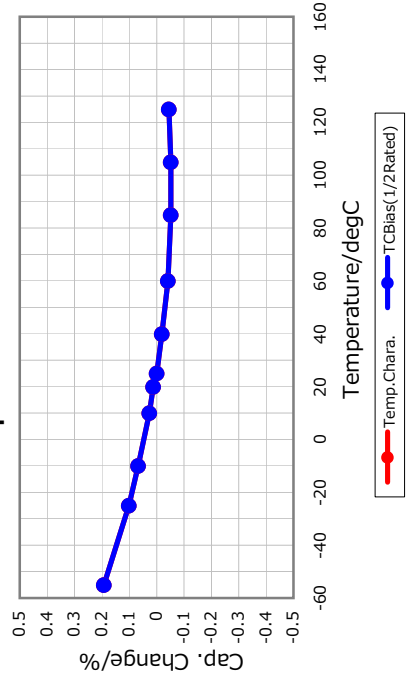
## DC Bias Characteristic



## Cap. vs. Freq. Characteristic



## Temperature Characteristics



⚠ All specifications are subject to change without notice.

January 3, 2016