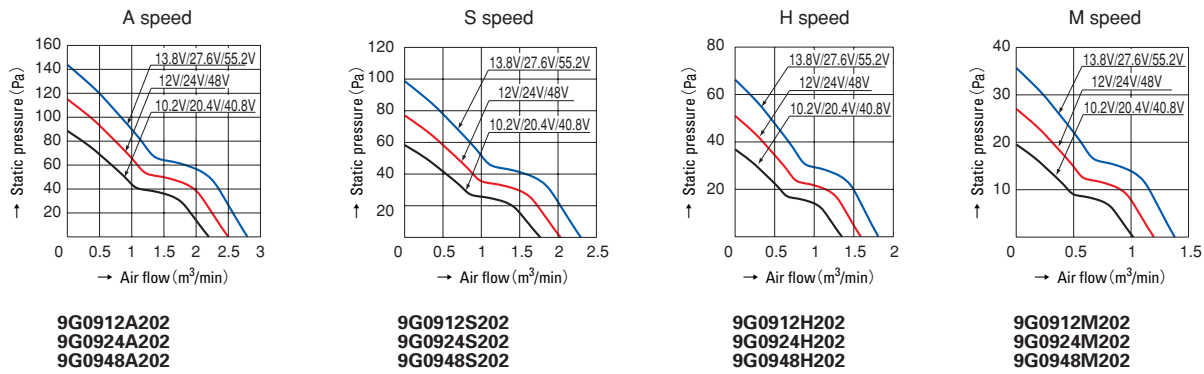


Specifications

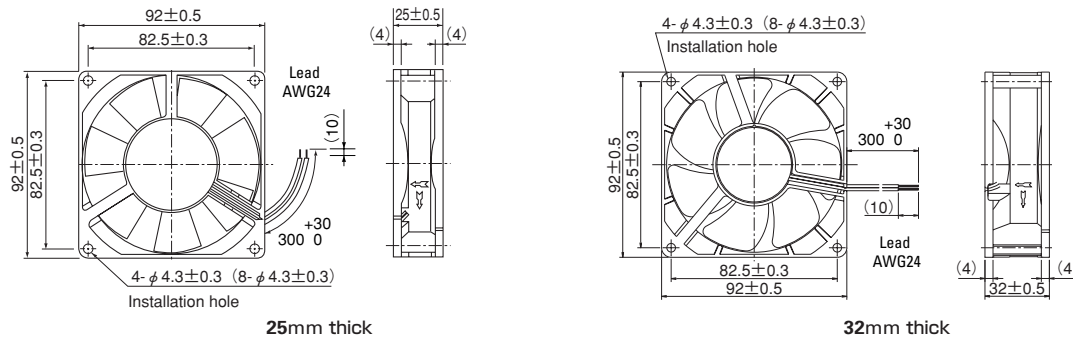
Model No	Rated voltage (V)	Operating voltage range (V)	Rated current (A)	Rated input (W)	Rated rotating speed (min ⁻¹)	Air flow (m ³ /min)	CFM	Static pressure (Pa)	Noise (dB[A])	Mass (g)
9G0912A202(2021)	12	10.2~13.8	0.58	6.96	4,300	2.50	88.3	115	44	170
9G0912S202(2021)			0.38	4.56	3,500	2.00	70.7	77	38	
9G0912H202(2021)			0.23	2.76	2,850	1.59	56.2	51	32	
9G0912M202(2021)			0.13	1.56	2,100	1.20	42.4	27	25	
9G0924A202(2021)	24	20.4~27.6	0.30	7.20	4,300	2.50	88.3	115	44	
9G0924S202(2021)			0.19	4.56	3,500	2.00	70.7	77	38	
9G0924H202(2021)			0.12	2.88	2,850	1.59	56.2	51	32	
9G0924M202(2021)			0.08	1.92	2,100	1.20	42.4	27	25	
9G0948A202(2021)	48	40.8~55.2	0.16	7.68	4,300	2.50	88.3	115	44	
9G0948S202(2021)			0.11	5.28	3,500	2.00	70.7	77	38	
9G0948H202(2021)			0.08	3.84	2,850	1.59	56.2	51	32	
9G0948M202(2021)			0.05	2.40	2,100	1.20	42.4	27	25	

The numbers in () represent ribless models.

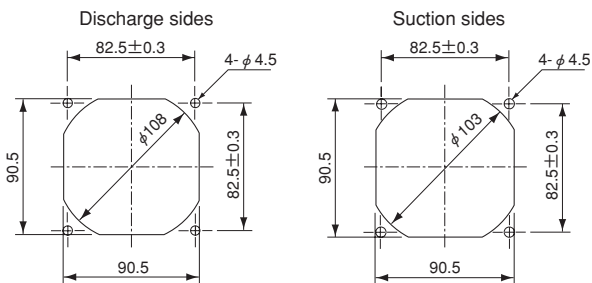
Typical air flow and static pressure characteristics



Dimensions (unit : mm)



Reference dimensional diagram for installation holes (unit : mm)



Notice The products shown in the catalog are subject to Japanese Export Control Law. Diversion contrary to the law of exporting country is prohibited.

SANYO DENKI

1-15-1, Kita-otsuka, Toshima-ku, Tokyo 170-8451, Japan. PHONE : +81 3 3917 5151 Home Page: <http://www.sanyodenki.co.jp>

2003.10 Rev.B