

Features

- Recommended for reflow processing
- Rotor design compatible with pick and place and automatic adjustment equipment
- Supplied in 8 mm embossed tape, compatible with automatic assembly equipment
- Rear adjust version available



This series is **not** recommended for new designs.
Suggested replacement is **Model TC33**.

3303 - 3 mm SMD Trimpot® Trimming Potentiometer

Electrical Characteristics

Standard Resistance Range100 ohms to 1 megohm
(see standard resistance table)
Resistance Tolerance ±25 % std.
Absolute Minimum Resistance
≤ 1K Ohms 20 ohms max.
>1K Ohms 2 % max. of TR
Contact Resistance Variation . 5 % max.
Resolution Infinite
Adjustment Angle 260° ±20°

Environmental Characteristics

Resistance to Soldering Heat
... 260 °C, 10 seconds, TRS max. 5 %
Power Rating (50 VDC max.)
70 °C 0.15 watt
Temperature Range ... -40 °C to +125 °C
Temperature Coefficient ... ±250 ppm/°C
Humidity 95 %RH
500 hours
TRS max. ±5 %
Load Life
.....@ 70 °C rated power 500 hours
TRS ± 5 %
Rotational Cycling 20 turns
TRS ± 15 %

Physical Characteristics

Torque..... 20-200 g-cm max.
Mechanical Angle Continuous
Marking..... Part marking code
Standard Packaging
..... 2000 pcs./7" reel
Adjustment Tool..... H-90

Aqueous cleaning not recommended.

How To Order

3303 X - 3 - 103 E

Model _____
Style _____

Orientation of Parts In Tape:
• Styles W, C - Terminals Toward Sprocket Holes
• Styles X, D - Terminals Away From Sprocket Holes (preferred)

Standard or Modified Product Indicator
-1 = Single Slot (C, D Pin Styles Only)
-3 = Cross Slot Low Profile (W, X Pin Styles Only)

Resistance Code _____
Embossed Tape Designator _____

Consult factory for other available options.

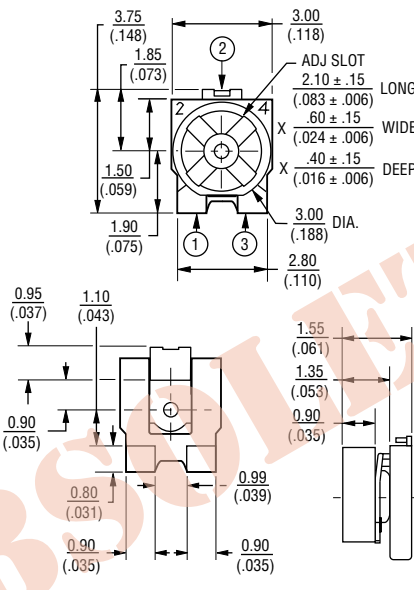
*RoHS Directive 2002/95/EC Jan. 27, 2003 including annex and RoHS Recast 2011/65/EU June 8, 2011. Specifications are subject to change without notice.

The device characteristics and parameters in this data sheet can and do vary in different applications and actual device performance may vary over time.

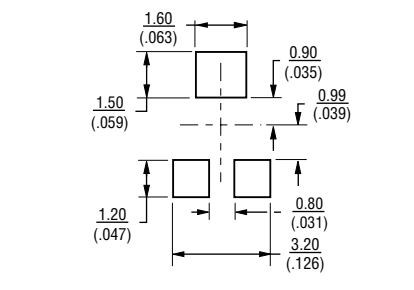
Users should verify actual device performance in their specific applications.

Product Dimensions

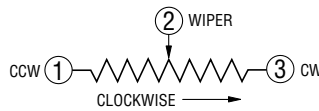
3303W, X-3
3mm Open Frame
for Reflow Soldering
3-Terminal
Low Profile



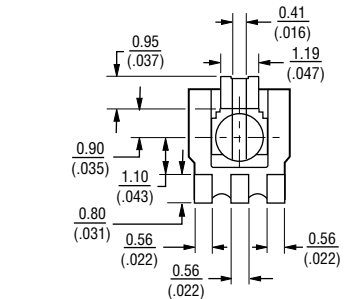
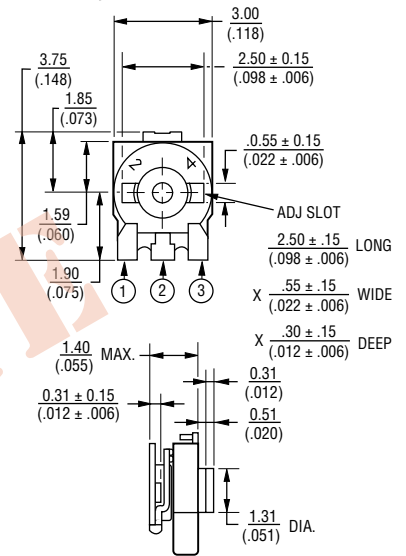
SUGGESTED PWB LAYOUT



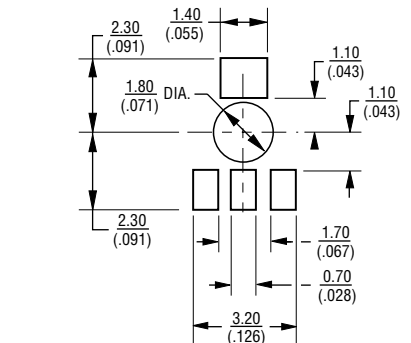
DIMENSIONS: $\frac{\text{MM}}{\text{(INCHES)}}$
TOLERANCES: ± 0.30 (.012) EXCEPT WHERE NOTED



3303C,D-1
3-Terminal
Both Sides Adjust



SUGGESTED PWB LAYOUT



DIMENSIONS: $\frac{\text{MM}}{\text{(INCHES)}}$
TOLERANCES: ± 0.38 (.015) EXCEPT WHERE NOTED

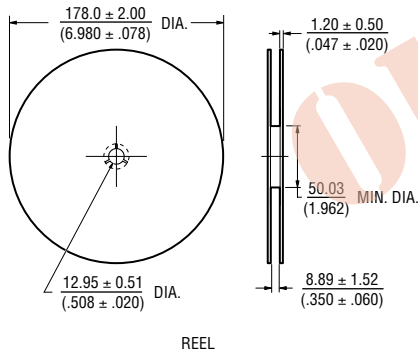
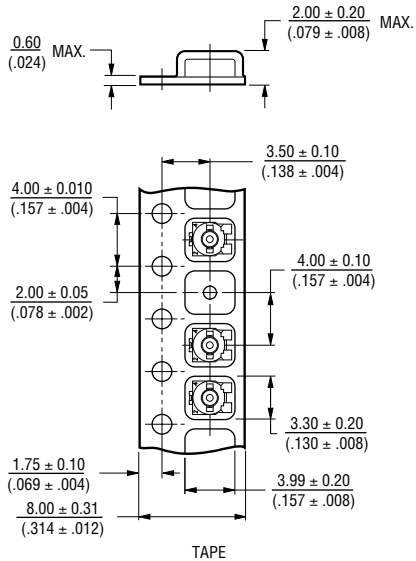
Features (Continued)

- 3 mm size meets EIA/EIAJ standard trimmer footprint
- RoHS compliant* - see [processing information](#) on RoHS compliant surface mount trimmers
- For trimmer applications/processing guidelines, [click here](#)

3303 - 3 mm SMD Trimpot® Trimming Potentiometer

BOURNS®

Packaging Specifications



Meets EIA 481

DIMENSIONS: $\frac{\text{MM}}{(\text{INCHES})}$

TOLERANCES: $\pm \frac{0.25}{(.010)}$ EXCEPT WHERE NOTED

Standard Resistance Table

| Resistance (Ohms) | Part Marking Code | Resistance Code |
|-------------------|-------------------|-----------------|
| 100 | 12 | 101 |
| 200 | 22 | 201 |
| 500 | 52 | 501 |
| 1,000 | 13 | 102 |
| 2,000 | 23 | 202 |
| 5,000 | 53 | 502 |
| 10,000 | 14 | 103 |
| 20,000 | 24 | 203 |
| 50,000 | 54 | 503 |
| 100,000 | 15 | 104 |
| 200,000 | 25 | 204 |
| 500,000 | 55 | 504 |
| 1,000,000 | 16 | 105 |

Popular distribution resistance values listed in boldface. Special resistances available.

REV. 12/16

"Trimpot" is a registered trademark of Bourns, Inc. Specifications are subject to change without notice.

The device characteristics and parameters in this data sheet can and do vary in different applications and actual device performance may vary over time. Users should verify actual device performance in their specific applications.