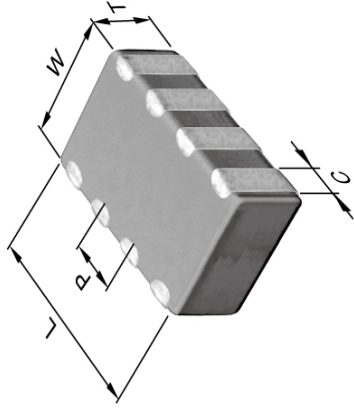


# CKCL44CH1H101K085AA

TDK Item Description : CKCL44CH1H101KT\*\*\*\*



## Application & Main Feature

Commercial Grade ( 4 in 1 Array )

## Series

CKCL44(2012) [EIA CC0805]

## Dimensions

L	2.00mm	+/-0.15mm
W	1.25mm	+/-0.15mm
T	0.85mm	+/-0.15mm
C	0.25mm	Nom.
P	0.50mm	Nom.

## Temperature Characteristic

CH (-25 to 85 degC 0+/-60ppm/degC)

## Rated Voltage

1H (50Vdc)

## Capacitance

100pF

## Capacitance Tolerance

K (+/-10%)

## Q Factor

1000 Min.

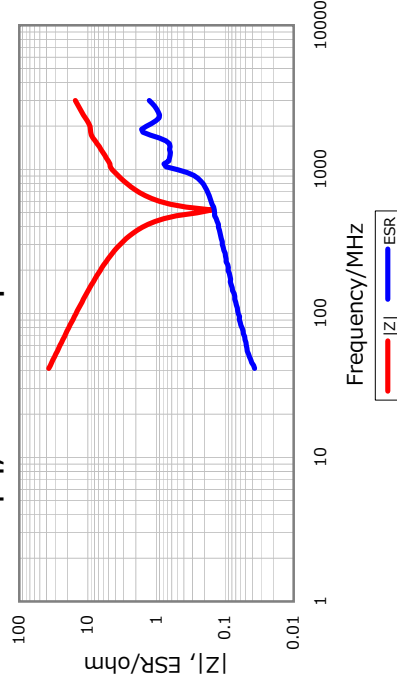
## Insulation Resistance

10Gohm Min.

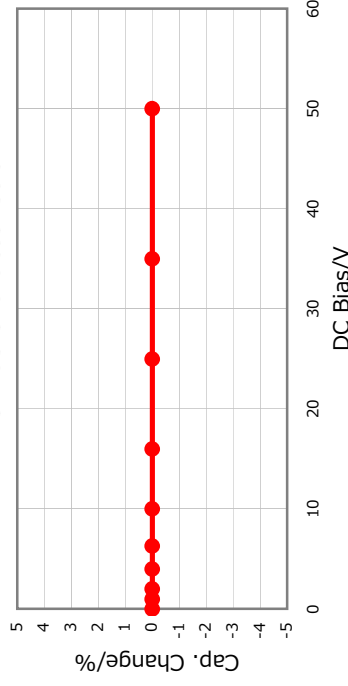
## AEC-Q200

Not Applicable

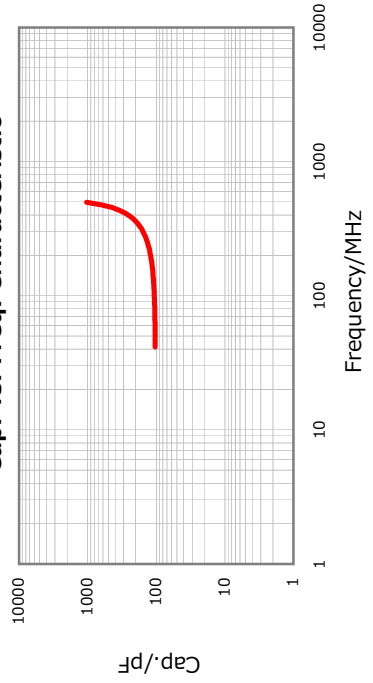
## |Z|, ESR vs. Freq. Characteristics



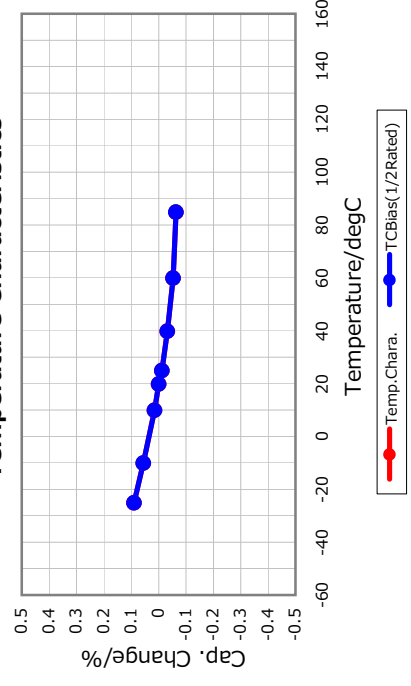
## DC Bias Characteristic



## Cap. vs. Freq. Characteristic



## Temperature Characteristics



⚠ All specifications are subject to change without notice.

January 4, 2016