

42V, 2.5A Micropower Synchronous Step-Down Regulator with Current Sense

DESCRIPTION

Demonstration circuit 1750A is a 42V, 2.5A micropower synchronous step-down regulator with current sense featuring the LT[®]8611. The LT8611 is a compact, high efficiency, high speed synchronous monolithic step-down switching regulator that consumes only 2.5 μ A of quiescent current when output is regulated at 3.3V. Top and bottom power switches, compensation components and other necessary circuits are inside of the LT8611 to minimize external components and simplify design.

The demonstration circuit has output current limit set at 2.5A by default. The current limit can be moved to the input side for application where input supply current is limited, such as energy harvesting application. ICTRL and IMON on the board set and monitor the regulated current respectively. The SYNC pin on the demo board is grounded by default for low ripple Burst Mode[®] operation. To synchronize to an external clock, move JP1 to SYNC and apply the external

clock to the SYNC turret. Once JP1 is on SYNC position, a DC voltage of higher than 2V or INTV_{CC} can be applied to the SYNC turret for pulse skipping operation. Figure 1 shows the efficiency of the circuit at 12V input.

The demo board has an EMI filter installed. The EMI performance of the board is shown on Figure 2. Figure 3 shows the EMI performance of the board running at 1MHz switching frequency. The limit in Figure 2 and Figure 3 is EN55022 Class B. Both figures show the circuit passes the test with a wide margin. To use the EMI filter, the input should be tied to VEMI, not VIN.

The LT8611 datasheet gives a complete description of the part, operation and application information. The data sheet must be read in conjunction with this quick start guide for demo circuit 1750A.

LT, LT, LTC, LTM, Linear Technology, the Linear logo and Burst Mode are registered trademarks of Linear Technology Corporation. All other trademarks are the property of their respective owners.

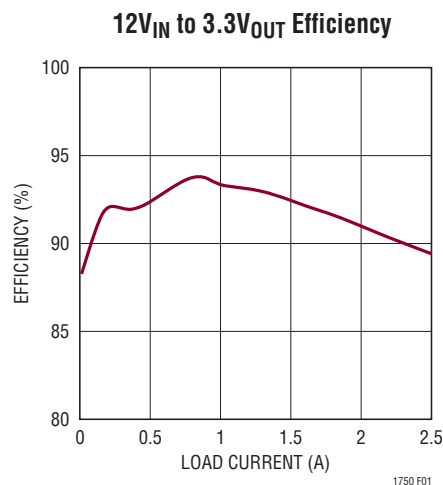


Figure 1. LT8611 Efficiency from 12V to 3.3V (R5 = 0)

DESCRIPTION

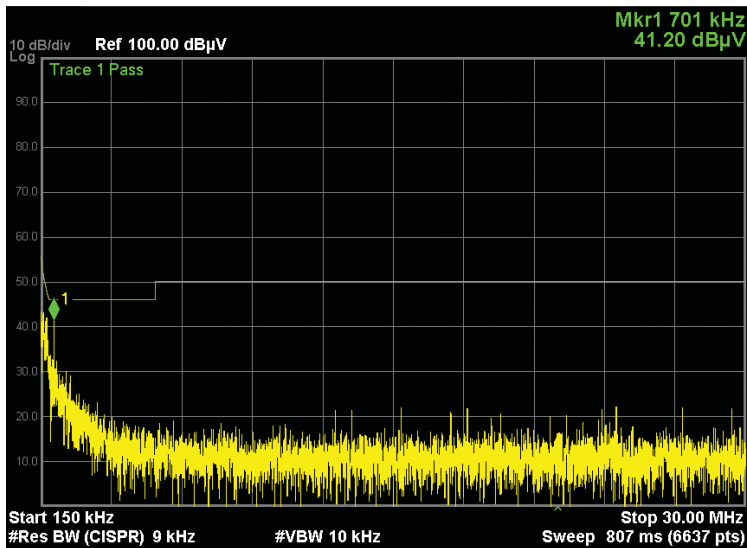


Figure 2. LT8611 Demo Circuit EMI Performance, Switching Frequency = 700kHz

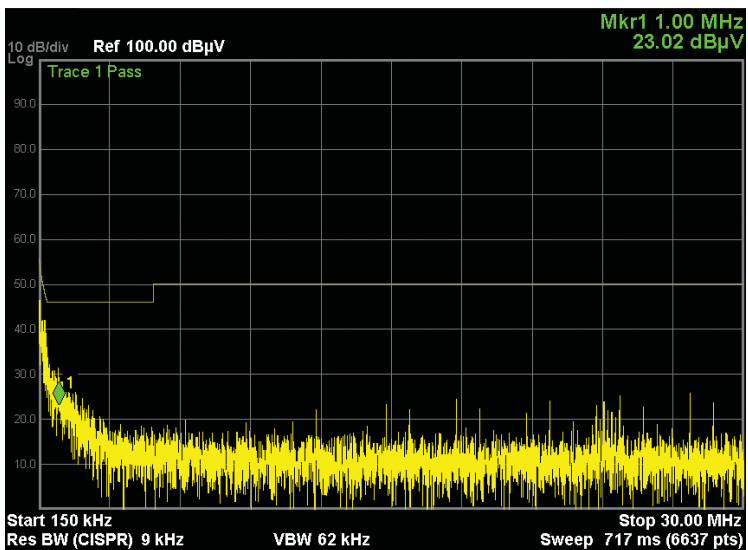


Figure 3. LT8611 Demo Circuit EMI Performance, Switching Frequency = 1MHz

PERFORMANCE SUMMARY (T_A = 25°C)

| SYMBOL | PARAMETER | CONDITIONS | MIN | TYP | MAX | UNITS |
|------------------|------------------------|---|-------|-----|-------|-------|
| V _{IN} | Input Supply Range | | 3.8 | | 42 | V |
| V _{OUT} | Output Voltage | | 3.168 | 3.3 | 3.465 | V |
| I _{OUT} | Maximum Output Current | | | 2.5 | | A |
| F _{SW} | Switching Frequency | | 630 | 700 | 770 | kHz |
| EFE | Efficiency at DC | I _{OUT} = 1A, R ₅ = 0 | | 93 | | % |

dc1750af

QUICK START PROCEDURE

Demonstration circuit 1750A is easy to set up to evaluate the performance of the LT8611. Refer to Figure 4 and Figure 5 for proper measurement equipment setup and follow the procedure below:

1. With power off, connect the input power supply to VIN and GND.
2. With power off, connect the load VOUT and GND.
3. Check JP1 setting
4. Turn on the power at the input.
5. Carefully evaluate other design parameters as needed.

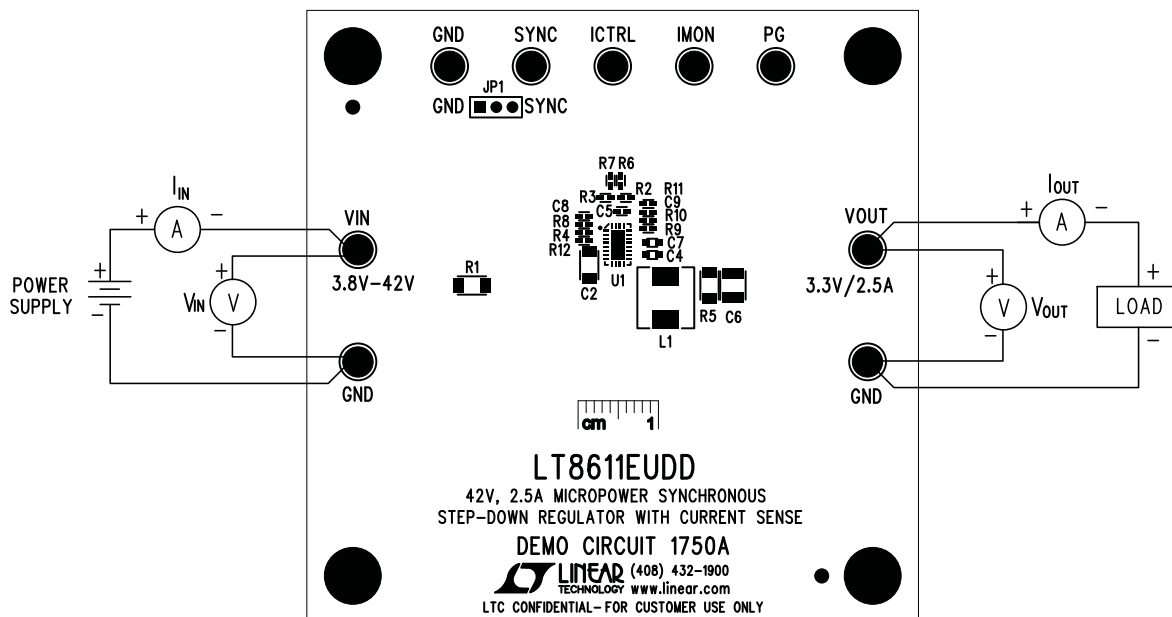


Figure 4. Proper Measurement Equipment Setup

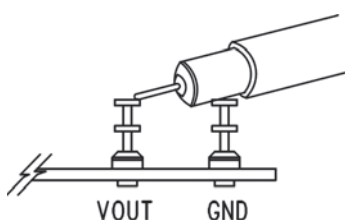


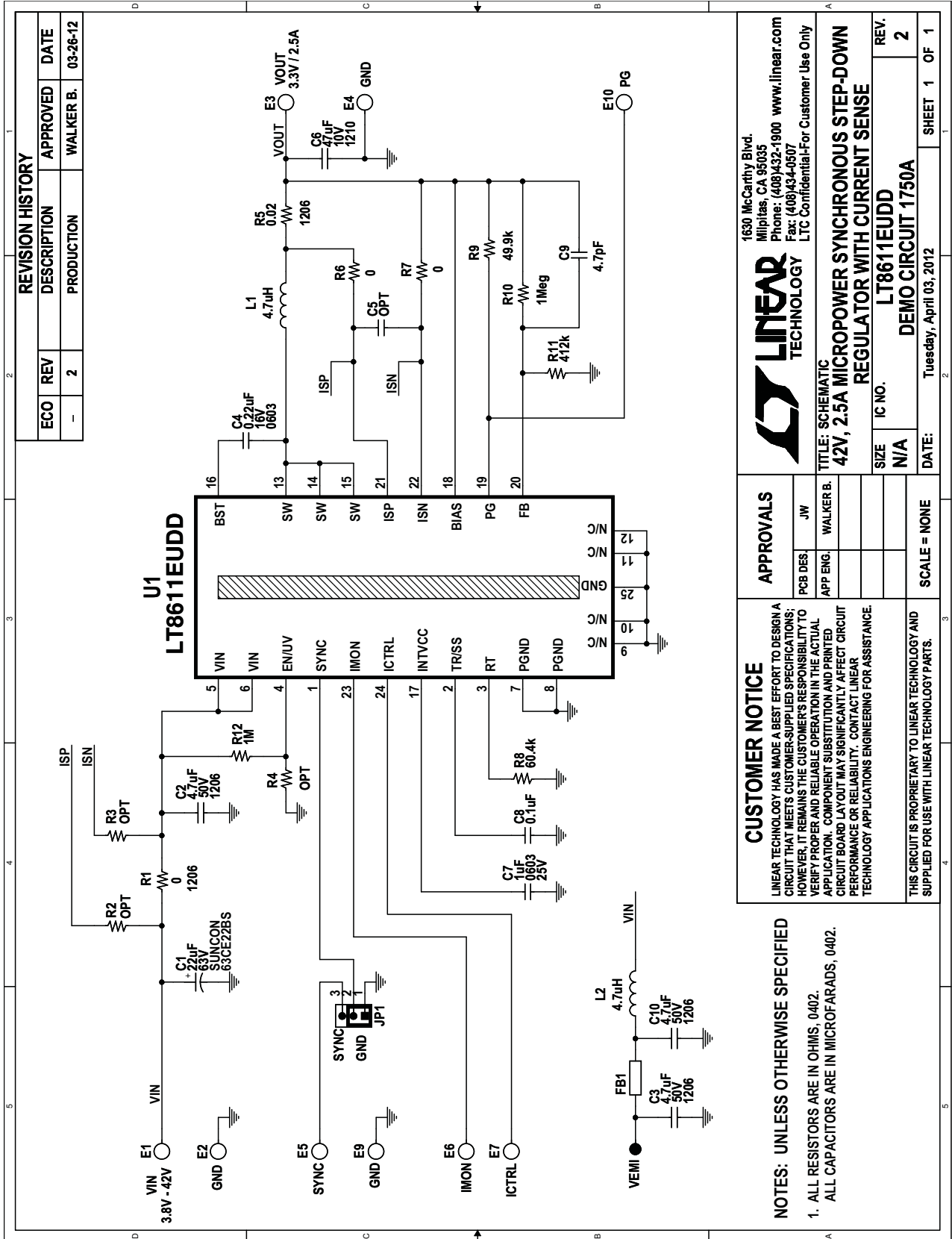
Figure 5. Measure Output Ripple

DEMO MANUAL DC1750A

PARTS LIST

| ITEM | QTY | REFERENCE | PART DESCRIPTION | MANUFACTURER/PART NUMBER |
|--|-----|----------------|--------------------------------|-----------------------------|
| Required Circuit Components | | | | |
| 1 | 1 | C2 | CAP, CER 4.7 μ F 50V 1206 | TAIYO YUDEN UMK316BJ475KL |
| 2 | 1 | C4 | CAP, CER 0.22 μ F 16V 0603 | TAIYO YUDEN EMK107BJ224KA-T |
| 3 | 1 | C6 | CAP, CER 47 μ F 10V 1210 | MURATA, GRM32ER71A476K |
| 4 | 1 | C7 | CAP, CER 1.0 μ F 25V 0603 | MURATA GRM188R71E105K |
| 5 | 1 | C8 | CAP, CER 0.1 μ F 0402 | AVX, 0402YD104KAT2A |
| 6 | 1 | C9 | CAP, CER 4.7pF 25V 0402 | AVX, 04023A4R7CAT |
| 7 | 1 | L1 | IND, 4.7 μ H | COILTRONICS HCM0703-4R7-R |
| 8 | 1 | R5 | RES, 0.02 Ω 1% 1206 | VISHAY, WSL1206R0200FEA |
| 9 | 1 | R8 | RES, 60.4k 1% 0402 | VISHAY, CRCW040260K4FKED |
| 10 | 1 | R9 | RES, 49.9k 1% 0402 | VISHAY, CRCW040249K9FKED |
| 11 | 2 | R10, R12 | RES, 1M 1% 0402 | VISHAY, CRCW04021M00FKED |
| 12 | 1 | R11 | RES, 412k 1% 0402 | VISHAY, CRCW0402412KFKED |
| 13 | 1 | U1 | IC, LT8611EUDD QFN24EUDD | LINEAR TECH.CORP.LT8611EUDD |
| Additional Demo Board Circuit Components | | | | |
| 1 | 1 | C1 | CAP, ALUM 22 μ F 63V | SUNCON 63CE22BS |
| 2 | 1 | C10 | CAP, CER 4.7 μ F 50V 1206 | TAIYO YUDEN UMK316BJ475KL |
| 3 | 1 | C3 | CAP, CER 4.7 μ F 50V 1206 | MURATA, GRM31CR71H475K |
| 4 | 0 | C5 | CAP, OPT 0402 | OPT |
| 5 | 1 | FB1 | FERRITE BEAD 0805 | TDK, MPZ2012S221A |
| 6 | 1 | L2 | IND, 4.7 μ H | VISHAY, IHLP2020BZ-ER4R7M01 |
| 7 | 1 | R1 | RES, 0 Ω 1206 | AAC CJ18-000M |
| 8 | 0 | R2, R3, R4 | RES, OPT 0402 | OPT |
| 9 | 2 | R6, R7 | RES, 0 Ω 0402 | AAC, CJ05-000M |
| Hardware/Components (For Demo Board Only) | | | | |
| 1 | 9 | E1-E7, E9, E10 | TESTPOINT TURRET 0.094" | MILL-MAX-2501-2 |
| 2 | 1 | JP1 | HEADER 1X3 0.079" | SAMTEC, TMM-103-02-L-S |
| 3 | 1 | XJP1 | SHUNT, 0.079" CENTER | SAMTEC, 2SN-BK-G |
| 4 | 4 | MH1-MH4 | STAND-OFF, NYLON 0.50" TALL | KEYSTONE, 8833 (SNAP ON) |

SCHEMATIC DIAGRAM



DEMO MANUAL DC1750A

DEMONSTRATION BOARD IMPORTANT NOTICE

Linear Technology Corporation (LTC) provides the enclosed product(s) under the following **AS IS** conditions:

This demonstration board (DEMO BOARD) kit being sold or provided by Linear Technology is intended for use for **ENGINEERING DEVELOPMENT OR EVALUATION PURPOSES ONLY** and is not provided by LTC for commercial use. As such, the DEMO BOARD herein may not be complete in terms of required design-, marketing-, and/or manufacturing-related protective considerations, including but not limited to product safety measures typically found in finished commercial goods. As a prototype, this product does not fall within the scope of the European Union directive on electromagnetic compatibility and therefore may or may not meet the technical requirements of the directive, or other regulations.

If this evaluation kit does not meet the specifications recited in the DEMO BOARD manual the kit may be returned within 30 days from the date of delivery for a full refund. **THE FOREGOING WARRANTY IS THE EXCLUSIVE WARRANTY MADE BY THE SELLER TO BUYER AND IS IN LIEU OF ALL OTHER WARRANTIES, EXPRESSED, IMPLIED, OR STATUTORY, INCLUDING ANY WARRANTY OF MERCHANTABILITY OR FITNESS FOR ANY PARTICULAR PURPOSE. EXCEPT TO THE EXTENT OF THIS INDEMNITY, NEITHER PARTY SHALL BE LIABLE TO THE OTHER FOR ANY INDIRECT, SPECIAL, INCIDENTAL, OR CONSEQUENTIAL DAMAGES.**

The user assumes all responsibility and liability for proper and safe handling of the goods. Further, the user releases LTC from all claims arising from the handling or use of the goods. Due to the open construction of the product, it is the user's responsibility to take any and all appropriate precautions with regard to electrostatic discharge. Also be aware that the products herein may not be regulatory compliant or agency certified (FCC, UL, CE, etc.).

No License is granted under any patent right or other intellectual property whatsoever. **LTC assumes no liability for applications assistance, customer product design, software performance, or infringement of patents or any other intellectual property rights of any kind.**

LTC currently services a variety of customers for products around the world, and therefore this transaction **is not exclusive**.

Please read the DEMO BOARD manual prior to handling the product. Persons handling this product must have electronics training and observe good laboratory practice standards. **Common sense is encouraged.**

This notice contains important safety information about temperatures and voltages. For further safety concerns, please contact a LTC application engineer.

Mailing Address:

Linear Technology
1630 McCarthy Blvd.
Milpitas, CA 95035

Copyright © 2004, Linear Technology Corporation