

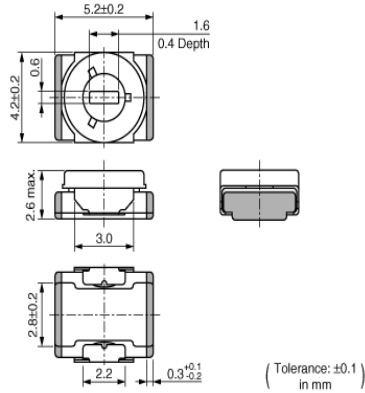
TZW4Z1R5A001B00

Discontinued

RoHS

REACH

Appearance & Shape



Features

1. To meet high power application due to withstanding voltage 550Vdc.
2. Extremely high self-resonant frequency. (More than 3GHz at rated C max.)
3. Typical application: Impedance matching for Cellular Base Station.
4. High Q value in more than VHF, UHF and Microwave bands. (More than 200 in 500MHz, C max.)
5. Available for pick and place machine. Possible thinner design due to 2.6mm low profile.
6. Non-electrical contact construction (rotor as middle electrode) provides high reliability.
7. Compact size: 4.2(W)x5.2(L)x2.6max.(H)mm.

Packaging Information

Packaging	Specifications	Standard Packing Quantity
B00	Bulk(Bag)	100

Attention

1.This datasheet is downloaded from the website of Murata Manufacturing Co., Ltd. Therefore, it's specifications are subject to change or our products in it may be discontinued without advance notice. Please check with our sales representatives or product engineers before ordering.

2.This datasheet has only typical specifications because there is no space for detailed specifications.

Therefore, please review our product specifications or consult the approval sheet for product specifications before ordering.

TZW4Z1R5A001B00

Specifications

Shape	SMD
Operating Temperature Range	-55°C to 125°C
Thickness	2.6mm
Thickness Tolerance	max.
Rated Voltage	250Vdc
Cmin.(max.)	0.4pF
Cmax.	1.5pF
Cmax. Tolerance	+100/-0%
Adjustment Direction	Top
TC	NP0±150ppm/°C
Q	200min. at 500MHz, Cmax.
Withstanding Voltage	550Vdc
Insulation Resistance(min.)	10000MΩ
Torque	1.5 to 10.0mNm
Mass	0.15g

Attention

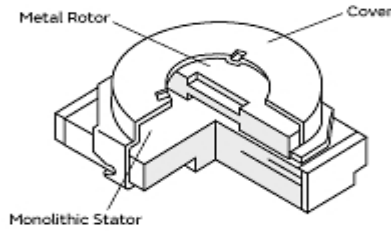
1.This datasheet is downloaded from the website of Murata Manufacturing Co., Ltd. Therefore, it's specifications are subject to change or our products in it may be discontinued without advance notice. Please check with our sales representatives or product engineers before ordering.

2.This datasheet has only typical specifications because there is no space for detailed specifications.

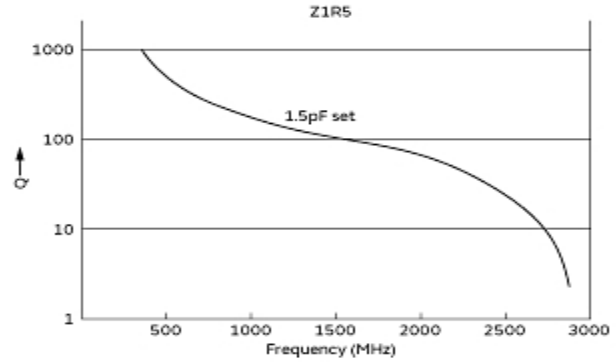
Therefore, please review our product specifications or consult the approval sheet for product specifications before ordering.

TZW4Z1R5A001B00

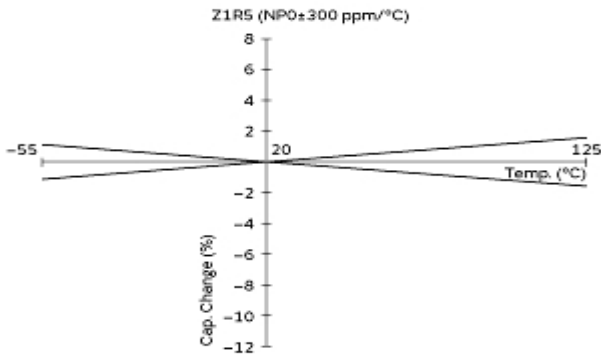
Product Data



Constructions



Frequency Characteristics



Temp. Coeff. Characteristics

Attention

- 1.This datasheet is downloaded from the website of Murata Manufacturing Co., Ltd. Therefore, it's specifications are subject to change or our products in it may be discontinued without advance notice. Please check with our sales representatives or product engineers before ordering.
- 2.This datasheet has only typical specifications because there is no space for detailed specifications.
Therefore, please review our product specifications or consult the approval sheet for product specifications before ordering.