

LTC4242 Dual Port, PCI Express Hot Swap Controller

DESCRIPTION

Demonstration Circuit 1054A showcases the LTC4242 Dual Slot Hot Swap Controller for PCI Express. DC1054A features two PCI-X slots into which DC1054B may be inserted. Two DC1054B daughter cards are included with each DC1054A.

LEDs indicate the presence of input and output voltages, as well as faults and "power good" conditions. The daughter cards are loaded with the maximum capacitance on each supply.

Design files for this circuit board are available. Call the LTC factory.

LTC is a trademark of Linear Technology Corporation

L, LTC, LTM, LT, Burst Mode, OPTI-LOOP, Over-The-Top and PolyPhase are registered trademarks of Linear Technology Corporation. Adaptive Power, C-Load, DirectSense, Easy Drive, FilterCAD, Hot Swap, LinearView, μ Module, Micropower SwitcherCAD, Multimode Dimming, No Latency $\Delta\Sigma$, No Latency Delta-Sigma, No R_{SENSE}, Operational Filter, PanelProtect, PowerPath, PowerSOT, SmartStart, SoftSpan, Stage Shedding, SwitcherCAD, ThinSOT, UltraFast and VLDO are trademarks of Linear Technology Corporation. Other product names may be trademarks of the companies that manufacture the products.

PERFORMANCE SUMMARY Specifications are at TA = 25°C

SYMBOL	PARAMETER	CONDITIONS	MIN	TYP	MAX	UNITS
V _{CC}	Input Supply Range		2.7	3.3	6.0	V
+12VIN	Input Supply Range		10.1	12	14.4	V
+3.3VIN	Input Supply Range		3.0	3.3	6.0	V
3.3VAUX INPUT	Input Supply Range		3.0	3.3	6.0	V
I _{12VOUT}	Load Current				5.5	A
I _{3.3VOUT}	Load Current				3	A
I _{3.3VAUXOUT}	Load Current				375	mA

OPERATING PRINCIPLES

Board Layout

Supply inputs and logic control inputs are located along the left side of DC1054B. Along the right side are the supply outputs and fault and power good outputs. LEDs are located adjacent to inputs and outputs of interest.

The V_{CC} pin bypass capacitor is located on the bottom of the board, directly under the LTC4242 where it can be of greatest efficacy.

Input Bypassing

In a practical application, the input supplies are bypassed near the supply switches (MOSFETs Q1-Q4). For the purposes of DC1054A, bypassing has been omitted except for the Vcc bypass capacitor C1, located directly under the LTC4242. This simplification affects the operation of the board in two ways. First, inductive reaction on the inputs arising from bench test leads during overload or short circuit tests can cause potentially damaging high voltage surges or transients to appear at the input pins of the LTC4242. Transient voltage suppressors (Z1,

Z2 and Z3) have been included near the input turrets to protect against these transients. Surges may also arise as a result of poor loop response in a bench supply.

Second, dips in the input voltage arising from load steps and wiring resistance and inductance may activate undervoltage lockout and temporarily shut down the LTC4242, particularly if both slots are fully loaded. Take care to ensure that the proper supply voltage is delivered to the board, particularly at the +3.3VIN input.

Input Supplies

There are three supply inputs along the left side of DC 1054A, with adjacent LEDs to indicate when power is applied. In the lower left are turrets for the main supply inputs, +12VIN and +3.3VIN. In the upper left is a turret for connecting the 3.3VAUX input.

3.3VAUX	1A
+3.3VIN	7A
+12VIN	12A

1A supplies are adequate to power the board, but to deliver full power to both ports the following ratings are recommended:

Vcc for the LTC4242 may be obtained from either the 3.3VAUX supply or from the +3.3VIN supply by setting jumper JP9. A separate power supply for 3.3VAUX is not strictly necessary; 3.3VAUX and +3.3VIN may be powered from the same source as long as adequate current is available to power the combined load.

Controlling the LTC4242

There are several ways to control the LTC4242. Each port is fully independent and identical to the other, so this discussion will describe the operation of port 1. Note that external logic signals are applied via the turrets adjacent to each jumper.

Port 1 is activated by pulling low the enable pin, EN1#. Jumper JP7 provides 4 options for controlling EN#. It can be forced HIGH or LOW, connected to an external logic signal (EXT), or operated by the short pins on the daughter card using the J1(A1) jumper position. For normal operation, JP7 should

be in the J1(A1) position to allow the short, A1 finger of the daughter card to initiate port activation.

Fingers B17 and A1 are connected together on the daughter card. When the daughter card is inserted into the edge connector, B17 is grounded by DC 1054A. In turn A1 and EN1# are grounded, turning on the card.

EN1# is a "global" port enable, but two other pins also exercise control over the individual supply outputs. The main 12V and 3.3V outputs are gated by the ON1 pin. Using jumper JP2, ON1 may be connected HIGH, LOW, or connected to an external logic signal. The auxiliary 3.3V output has its own control line, AUXON1, which is connected HIGH, LOW or an external logic signal using JP3. In order for ON1 and AUXON1 to have any effect, EN1# must be low.

Activating a Port

To consolidate the foregoing discussion into a simple procedure for activating port 1, set ON1 and AUXON1 high using JP2 and JP3; set FON1 low using JP1, and set EN1#

Outputs, Power Good, and Faults

The supply outputs are brought out to turrets on the daughter cards (DC 1054B), with LEDs to show when the outputs are powered.

Along the right side of DC 1054A are not only the supply outputs, but also the power good and fault outputs. Every power and signal

One last pin can exert control over the outputs. The Force ON pin, FON1 overrides all other logic commands. FON1 is set by JP1 to HIGH, LOW, or EXT. Care must be exercised in using FON1. If EN1# is low, FON1 overrides both the various enable inputs and short circuit current limiting. If one of the main outputs is shorted the MOSFET and current sense resistor may be destroyed. If EN1# is high, FON1 forces all outputs on and current limiting is present, but the circuit breaker function is disabled. Again, a short circuit will lead to the eventual destruction of the external MOSFET. Treat FON1 as a "battle override" switch, or use it for debugging purposes where a daughter card is consuming more current than specified, but does not have a hard short across its supply. See the LTC4242 data sheet for further information on the FON1 pin.

(JP7) to the J1(A1) position to monitor for card insertion. The port will turn on automatically when the card is inserted into edge connector J1.

line has a turret for external connections and an LED to indicate the operating condition. Outputs and power good signals have green LEDs, while faults are shown with red LEDs. Under normal conditions 5 green LEDs will light up per port (3 outputs and 2 power good signals) when the port is enabled.

LTC4242

QUICK START PROCEDURE

Check that the jumpers are in the following default positions:

FON: LOW
ON: HIGH
AUXON: HIGH
EN#: J1 (A1) and J2 (A1)

Connect a 12V and 3.3V supply to +12VIN and +3.3VIN. 3.3VAUX INPUT may be powered from the same supply as +3.3VIN, or from a separate 3.3V supply. Turn the supplies on-

-there is no requirement for any particular sequence. To verify that all 3 supplies are present, check to see that the LEDs (D1, D2, D3) are lit.

Next, insert one of the DC 1054B daughter cards into edge connector J1 or J2. The port will turn on automatically when the card is inserted, and turn off when withdrawn.

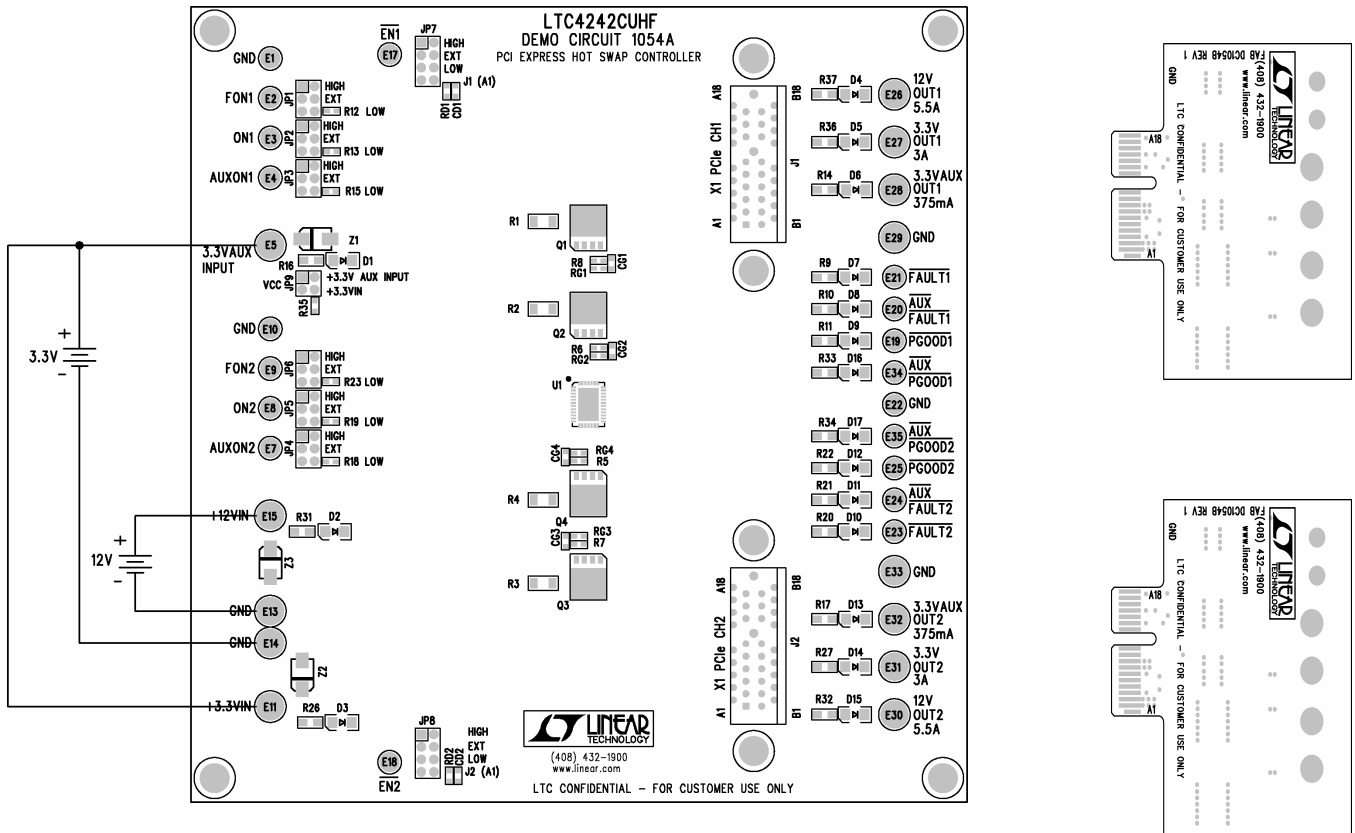
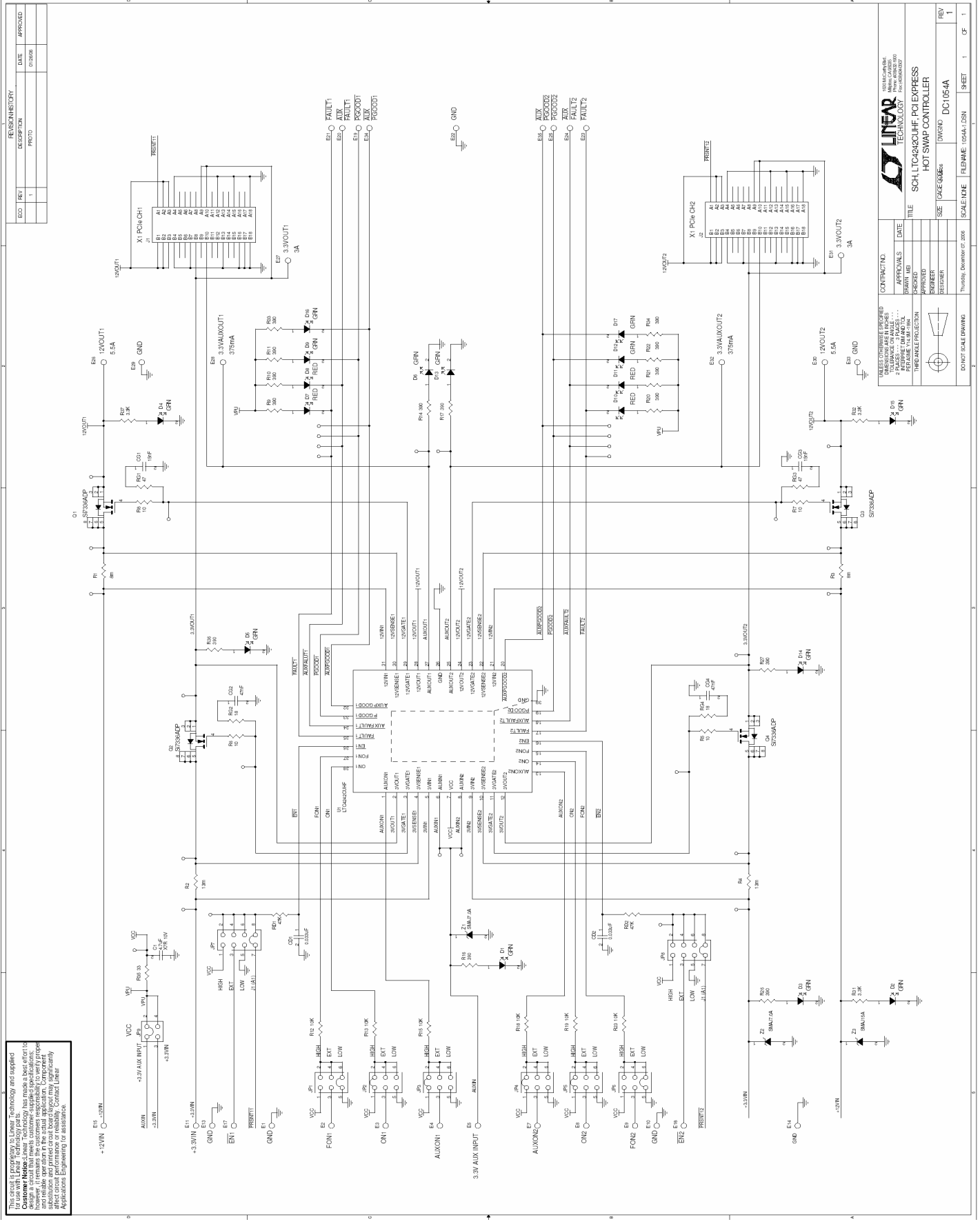


Figure 1. Proper Measurement Equipment Setup



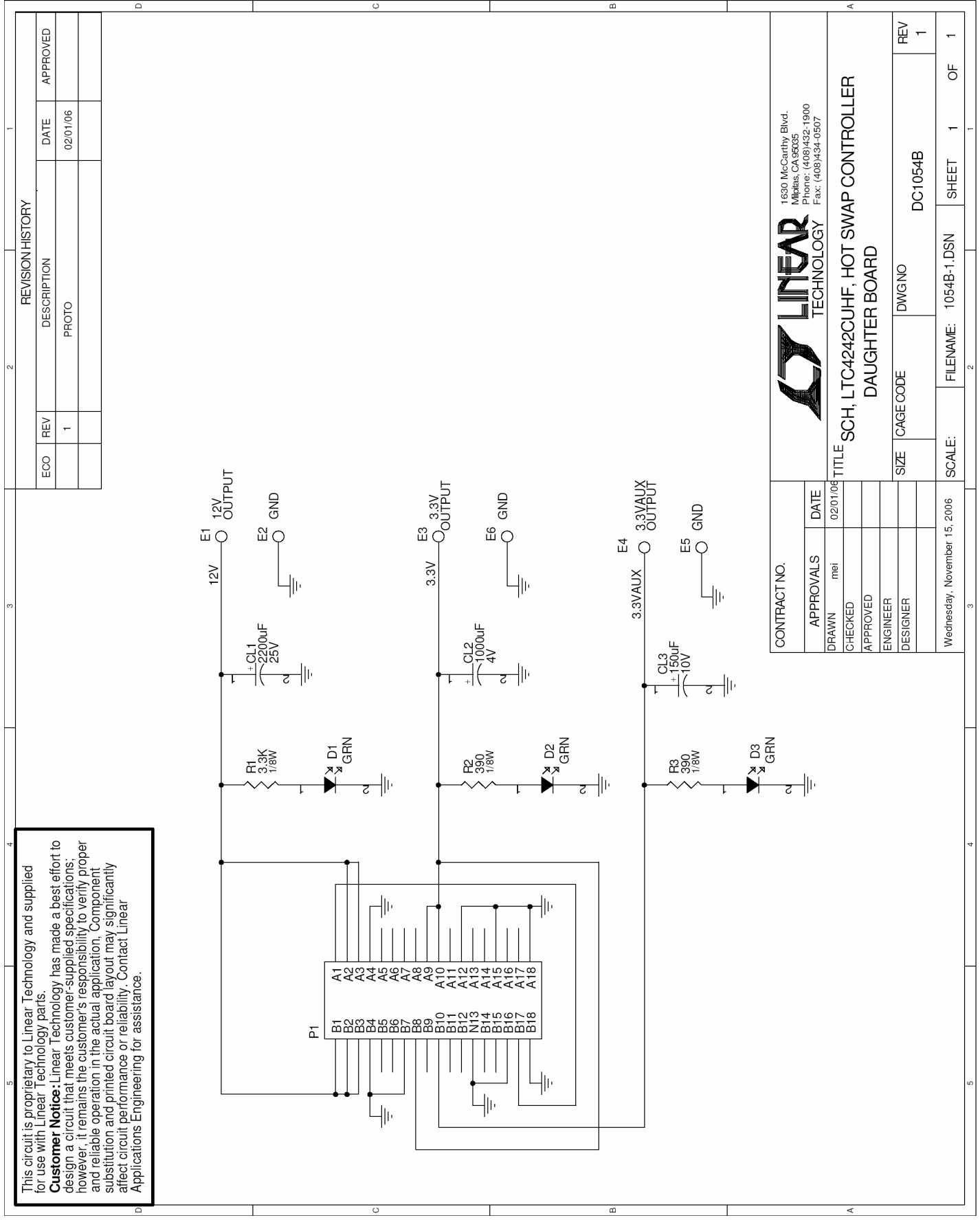
This circuit is proprietary to Linear Technology and supplies design information to our customers. Linear Technology has made a best effort to design a circuit that meets customer specifications. Customer feedback and reliable experience in the actual application. Components are selected for performance and reliability. Contact Linear Technology Applications Engineering for assistance.

ECO	REV	DESCRIPTION	DATE	APPROVED
	1			

CONTRACT NO.		DATE	
APPROVALS	DATE	APPROVALS	DATE
DESIGNED		APPROVED	
CHECKED		DESIGNED	
RELEASED		REVIEWED	
UNLESS OTHERWISE SPECIFIED			
1. DIMENSIONS ON MILLIMETERS			
2. DIMENSIONS ON INCHES			
3. DIMENSIONS ON FRACTIONS			
4. DIMENSIONS ON DECIMALS			
5. DIMENSIONS ON DECIMALS			
6. DIMENSIONS ON DECIMALS			
7. DIMENSIONS ON DECIMALS			
8. DIMENSIONS ON DECIMALS			
9. DIMENSIONS ON DECIMALS			
10. DIMENSIONS ON DECIMALS			
11. DIMENSIONS ON DECIMALS			
12. DIMENSIONS ON DECIMALS			
13. DIMENSIONS ON DECIMALS			
14. DIMENSIONS ON DECIMALS			
15. DIMENSIONS ON DECIMALS			
16. DIMENSIONS ON DECIMALS			
17. DIMENSIONS ON DECIMALS			
18. DIMENSIONS ON DECIMALS			
19. DIMENSIONS ON DECIMALS			
20. DIMENSIONS ON DECIMALS			
21. DIMENSIONS ON DECIMALS			
22. DIMENSIONS ON DECIMALS			
23. DIMENSIONS ON DECIMALS			
24. DIMENSIONS ON DECIMALS			
25. DIMENSIONS ON DECIMALS			
26. DIMENSIONS ON DECIMALS			
27. DIMENSIONS ON DECIMALS			
28. DIMENSIONS ON DECIMALS			
29. DIMENSIONS ON DECIMALS			
30. DIMENSIONS ON DECIMALS			
31. DIMENSIONS ON DECIMALS			
32. DIMENSIONS ON DECIMALS			
33. DIMENSIONS ON DECIMALS			
34. DIMENSIONS ON DECIMALS			
35. DIMENSIONS ON DECIMALS			
36. DIMENSIONS ON DECIMALS			
37. DIMENSIONS ON DECIMALS			
38. DIMENSIONS ON DECIMALS			
39. DIMENSIONS ON DECIMALS			
40. DIMENSIONS ON DECIMALS			
41. DIMENSIONS ON DECIMALS			
42. DIMENSIONS ON DECIMALS			
43. DIMENSIONS ON DECIMALS			
44. DIMENSIONS ON DECIMALS			
45. DIMENSIONS ON DECIMALS			
46. DIMENSIONS ON DECIMALS			
47. DIMENSIONS ON DECIMALS			
48. DIMENSIONS ON DECIMALS			
49. DIMENSIONS ON DECIMALS			
50. DIMENSIONS ON DECIMALS			
51. DIMENSIONS ON DECIMALS			
52. DIMENSIONS ON DECIMALS			
53. DIMENSIONS ON DECIMALS			
54. DIMENSIONS ON DECIMALS			
55. DIMENSIONS ON DECIMALS			
56. DIMENSIONS ON DECIMALS			
57. DIMENSIONS ON DECIMALS			
58. DIMENSIONS ON DECIMALS			
59. DIMENSIONS ON DECIMALS			
60. DIMENSIONS ON DECIMALS			
61. DIMENSIONS ON DECIMALS			
62. DIMENSIONS ON DECIMALS			
63. DIMENSIONS ON DECIMALS			
64. DIMENSIONS ON DECIMALS			
65. DIMENSIONS ON DECIMALS			
66. DIMENSIONS ON DECIMALS			
67. DIMENSIONS ON DECIMALS			
68. DIMENSIONS ON DECIMALS			
69. DIMENSIONS ON DECIMALS			
70. DIMENSIONS ON DECIMALS			
71. DIMENSIONS ON DECIMALS			
72. DIMENSIONS ON DECIMALS			
73. DIMENSIONS ON DECIMALS			
74. DIMENSIONS ON DECIMALS			
75. DIMENSIONS ON DECIMALS			
76. DIMENSIONS ON DECIMALS			
77. DIMENSIONS ON DECIMALS			
78. DIMENSIONS ON DECIMALS			
79. DIMENSIONS ON DECIMALS			
80. DIMENSIONS ON DECIMALS			
81. DIMENSIONS ON DECIMALS			
82. DIMENSIONS ON DECIMALS			
83. DIMENSIONS ON DECIMALS			
84. DIMENSIONS ON DECIMALS			
85. DIMENSIONS ON DECIMALS			
86. DIMENSIONS ON DECIMALS			
87. DIMENSIONS ON DECIMALS			
88. DIMENSIONS ON DECIMALS			
89. DIMENSIONS ON DECIMALS			
90. DIMENSIONS ON DECIMALS			
91. DIMENSIONS ON DECIMALS			
92. DIMENSIONS ON DECIMALS			
93. DIMENSIONS ON DECIMALS			
94. DIMENSIONS ON DECIMALS			
95. DIMENSIONS ON DECIMALS			
96. DIMENSIONS ON DECIMALS			
97. DIMENSIONS ON DECIMALS			
98. DIMENSIONS ON DECIMALS			
99. DIMENSIONS ON DECIMALS			
100. DIMENSIONS ON DECIMALS			

CONTRACT NO.	DATE	APPROVALS	DATE
SCH, LTC4242UHF, POI EXPRESS			
HOT SWAP CONTROLLER			
DC1054A			
SCALE 1:1			
SHEET 1			
OF 1			





This circuit is proprietary to Linear Technology and supplied for use with Linear Technology parts.
Customer Notice: Linear Technology has made a best effort to design a circuit that meets customer-supplied specifications; however, it remains the customer's responsibility to verify proper and reliable operation in the actual application. Component substitution and printed circuit board layout may significantly affect circuit performance or reliability. Contact Linear Applications Engineering for assistance.

REVISION HISTORY				
ECO	REV	DESCRIPTION	DATE	APPROVED
	1	PROTO	02/01/06	

CONTRACT NO.		APPROVALS		DATE
		mei		02/01/06
DRAWN		CHECKED		
APPROVED		ENGINEER		
DESIGNER		DWGNO		
TITLE		SIZE	CAGE CODE	REV
SCH, LTC4242CUHF, HOT SWAP CONTROLLER DAUGHTER BOARD		DC1054B		1
SCALE:		FILENAME:	SHEET	OF
Wednesday, November 15, 2006		1054B-1.DSN	1	1

