

# SEPIC Constant- or Programmable-Current/Constant-Voltage Battery Charger

## FEATURES

- **Charger Input Voltage May Be Higher, Equal to or Lower Than Battery Voltage**
- Charges Any Number of Cells Up to 20V
- 1% Voltage Accuracy for Rechargeable Lithium Batteries
- 100mV Current Sense Voltage for High Efficiency (LT1513)
- 0mV Current Sense Voltage for Easy Current Programming (LT1513-2)
- **Battery Can Be Directly Grounded**
- **500kHz Switching Frequency Minimizes Inductor Size**
- Charging Current Easily Programmable or Shut Down

## APPLICATIONS

- Charging of NiCd, NiMH, Lead-Acid or Lithium Rechargeable Cells
- Precision Current Limited Power Supply
- Constant-Voltage/Constant-Current Supply
- Transducer Excitation
- Universal Input CCFL Driver

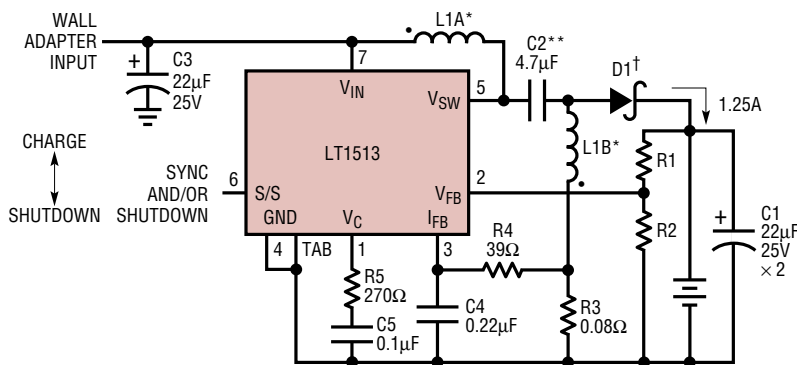
## DESCRIPTION

The LT<sup>®</sup>1513 is a 500kHz current mode switching regulator specially configured to create a constant- or programmable-current/constant-voltage battery charger. In addition to the usual voltage feedback node, it has a current sense feedback circuit for accurately controlling output current of a flyback or SEPIC (Single-Ended Primary Inductance Converter) topology charger. These topologies allow the current sense circuit to be ground referred and completely separated from the battery itself, simplifying battery switching and system grounding problems. In addition, these topologies allow charging even when the input voltage is lower than the battery voltage. The LT1513 can also drive a CCFL Royer converter with high efficiency in floating or grounded mode.

Maximum switch current on the LT1513 is 3A. This allows battery charging currents up to 2A for a single lithium-ion cell. Accuracy of 1% in constant-voltage mode is perfect for lithium battery applications. Charging current can be easily programmed for all battery types.

LT, LTC and LT are registered trademarks of Linear Technology Corporation.

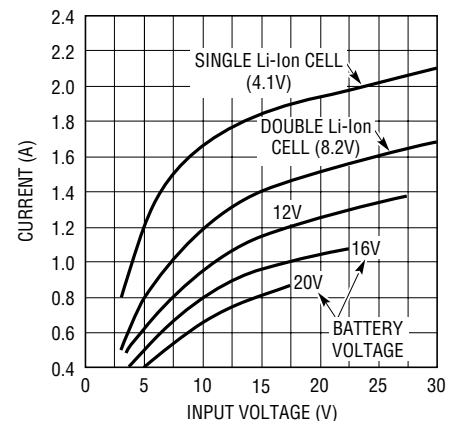
## TYPICAL APPLICATION



- \* L1A, L1B ARE TWO 10µH WINDINGS ON A COMMON CORE: COILTRONICS CTX10-4
- \*\* CERAMIC MARCON THCR40EIE475Z OR TOKIN 1E475ZY5U-C304
- † MBRD340 OR MBRS340T3. MBRD340 HAS 5µA TYPICAL LEAKAGE, MBRS340T3 50µA TYPICAL

Figure 1. SEPIC Charger with 1.25A Output Current

### Maximum Charging Current



INDUCTOR = 10µH  
 ACTUAL PROGRAMMED CHARGING CURRENT WILL BE INDEPENDENT OF INPUT VOLTAGE IF IT DOES NOT EXCEED VALUES SHOWN

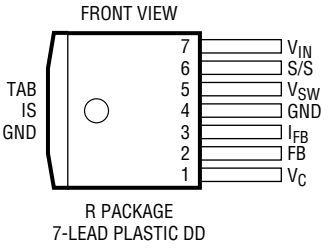
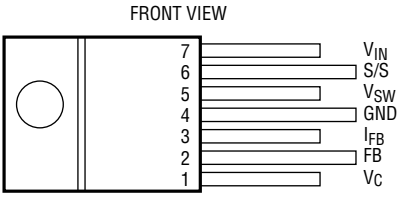
LT1513 • TA02

# LT1513/LT1513-2

## ABSOLUTE MAXIMUM RATINGS

Supply Voltage .....	30V	Operating Junction Temperature Range	
Switch Voltage .....	40V	LT1513C .....	0°C to 125°C
S/S Pin Voltage .....	30V	LT1513I .....	-40°C to 125°C
FB Pin Voltage (Transient, 10ms) .....	±10V	Short Circuit .....	0°C to 150°C
V <sub>FB</sub> Pin Current .....	10mA	Storage Temperature Range .....	-65°C to 150°C
I <sub>FB</sub> Pin Voltage (Transient, 10ms) .....	±10V	Lead Temperature (Soldering, 10 sec) .....	300°C

## PACKAGE/ORDER INFORMATION

FRONT VIEW R PACKAGE 7-LEAD PLASTIC DD  T <sub>JMAX</sub> = 125°C, θ <sub>JA</sub> = 30°C/W  WITH PACKAGE SOLDERED TO 0.5INCH <sup>2</sup> COPPER AREA OVER BACKSIDE GROUND PLANE OR INTERNAL POWER PLANE, θ <sub>JA</sub> CAN VARY FROM 20°C/W TO > 40°C/W DEPENDING ON MOUNTING TECHNIQUE	ORDER PART NUMBER  LT1513CR LT1513-2CR LT1513IR LT1513-2IR	FRONT VIEW T7 PACKAGE 7-LEAD TO-220  T <sub>JMAX</sub> = 125°C, θ <sub>JA</sub> = 50°C/W, θ <sub>JC</sub> = 4°C/W	ORDER PART NUMBER  LT1513-2CT7 LT1513-2IT7
			

Consult factory for Military grade parts.

## ELECTRICAL CHARACTERISTICS

V<sub>IN</sub> = 5V, V<sub>C</sub> = 0.6V, V<sub>FB</sub> = V<sub>REF</sub>, I<sub>FB</sub> = 0V, V<sub>SW</sub> and S/S pins open, unless otherwise noted.

SYMBOL	PARAMETER	CONDITIONS	MIN	TYP	MAX	UNITS	
V <sub>REF</sub>	FB Reference Voltage	Measured at FB Pin V <sub>C</sub> = 0.8V	●	1.233	1.245	1.257	V
			●	1.228	1.245	1.262	V
	FB Input Current	V <sub>FB</sub> = V <sub>REF</sub>	●	300	550	nA	
			●		600	nA	
	FB Reference Voltage Line Regulation	2.7V ≤ V <sub>IN</sub> ≤ 25V, V <sub>C</sub> = 0.8V	●	0.01	0.03	%/V	
V <sub>IREF</sub>	I <sub>FB</sub> Reference Voltage (LT1513)	Measured at I <sub>FB</sub> Pin V <sub>FB</sub> = 0V, V <sub>C</sub> = 0.8V	●	-107	-100	-93	mV
			●	-110	-100	-90	mV
	I <sub>FB</sub> Input Current	V <sub>IREF</sub> = V <sub>IREF</sub> (Note 2)	●	10	25	35	μA
	I <sub>FB</sub> Reference Voltage Line Regulation	2.7V ≤ V <sub>IN</sub> ≤ 25V, V <sub>C</sub> = 0.8V	●	0.01	0.05	%/V	
I <sub>FBVOS</sub>	I <sub>FB</sub> Voltage Offset (LT1513-2) (Note 3)	V <sub>IREF</sub> = 60μA (Note 4)	●	-7.5	2.5	12.5	mV
			●	-200	-10	0	nA
	V <sub>FB</sub> Source Current	V <sub>IREF</sub> = -10mV, V <sub>FB</sub> = 1.2V	●	-700	-300	-100	μA
g <sub>m</sub>	Error Amplifier Transconductance	ΔI <sub>C</sub> = ±25μA	●	1100	1500	1900	μmho
			●	700		2300	μmho
	Error Amplifier Source Current	V <sub>FB</sub> = V <sub>REF</sub> - 150mV, V <sub>C</sub> = 1.5V	●	120	200	350	μA
	Error Amplifier Sink Current	V <sub>FB</sub> = V <sub>REF</sub> + 150mV, V <sub>C</sub> = 1.5V	●		1400	2400	μA

sn1513 1513fas

# ELECTRICAL CHARACTERISTICS

$V_{IN} = 5V$ ,  $V_C = 0.6V$ ,  $V_{FB} = V_{REF}$ ,  $I_{FB} = 0V$ ,  $V_{SW}$  and S/S pins open, unless otherwise noted.

SYMBOL	PARAMETER	CONDITIONS	MIN	TYP	MAX	UNITS	
	Error Amplifier Clamp Voltage	High Clamp, $V_{FB} = 1V$ Low Clamp, $V_{FB} = 1.5V$	1.70 0.25	1.95 0.40	2.30 0.52	V V	
$A_V$	Error Amplifier Voltage Gain			500		V/V	
	$V_C$ Pin Threshold	Duty Cycle = 0%	0.8	1	1.25	V	
f	Switching Frequency	$2.7V \leq V_{IN} \leq 25V$ $0^\circ C \leq T_J \leq 125^\circ C$ $T_J < 0^\circ C$	450 430 400	500 500	550 580 580	kHz kHz kHz	
	Maximum Switch Duty Cycle		● 85	95		%	
	Switch Current Limit Blanking Time			130	260	ns	
BV	Output Switch Breakdown Voltage	$0^\circ C \leq T_J \leq 125^\circ C$ $T_J < 0^\circ C$	40 35	47		V V	
$V_{SAT}$	Output Switch ON Resistance	$I_{SW} = 2A$	●	0.25	0.45	$\Omega$	
$I_{LIM}$	Switch Current Limit	Duty Cycle = 50% Duty Cycle = 80% (Note 1)	● ●	3.0 2.6	5.4 5.0	A A	
$\Delta I_{IN}/\Delta I_{SW}$	Supply Current Increase During Switch ON Time			15	25	mA/A	
	Control Voltage to Switch Current Transconductance			4		A/V	
	Minimum Input Voltage		●	2.4	2.7	V	
$I_Q$	Supply Current	$2.7V \leq V_{IN} \leq 25V$	●	4	5.5	mA	
	Shutdown Supply Current	$2.7V \leq V_{IN} \leq 25V$ , $V_{S/S} \leq 0.6V$ , $T_J \geq 0^\circ C$ $T_J < 0^\circ C$	●	12	30 50	$\mu A$ $\mu A$	
	Shutdown Threshold	$2.7V \leq V_{IN} \leq 25V$	●	0.6	1.3	2	V
	Shutdown Delay		●	5	12	25	$\mu s$
	S/S Pin Input Current	$0V \leq V_{S/S} \leq 5V$	●	-10	15	$\mu A$	
	Synchronization Frequency Range		●	600	800	kHz	

The ● denotes specifications which apply over the full operating temperature range.

**Note 1:** For duty cycles (DC) between 50% and 85%, minimum guaranteed switch current is given by  $I_{LIM} = 1.33 (2.75 - DC)$ .

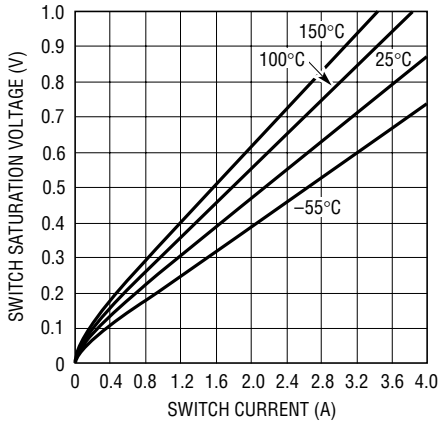
**Note 2:** The  $I_{FB}$  pin is servoed to its regulating state with  $V_C = 0.8V$ .

**Note 3:** Consult factory for grade selected parts.

**Note 4:** The  $I_{FB}$  pin is servoed to regulate FB to 1.245V

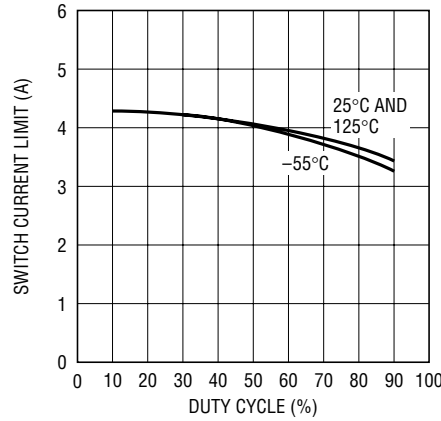
## TYPICAL PERFORMANCE CHARACTERISTICS

**Switch Saturation Voltage vs Switch Current**



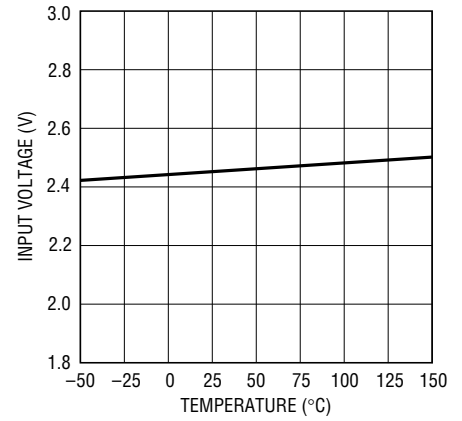
LT1513 • G01

**Switch Current Limit vs Duty Cycle**



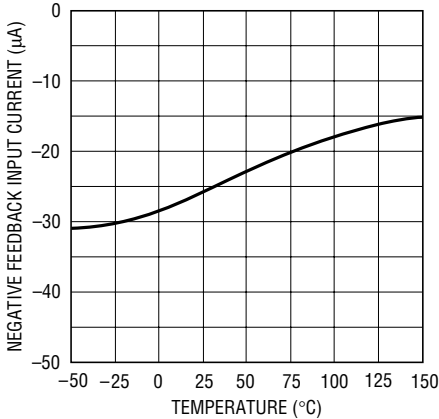
LT1513 • G02

**Minimum Input Voltage vs Temperature**



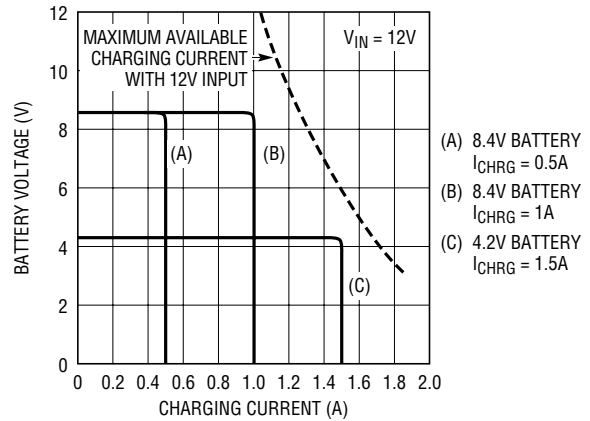
LT1513 • G03

**Negative Feedback Input Current vs Temperature**



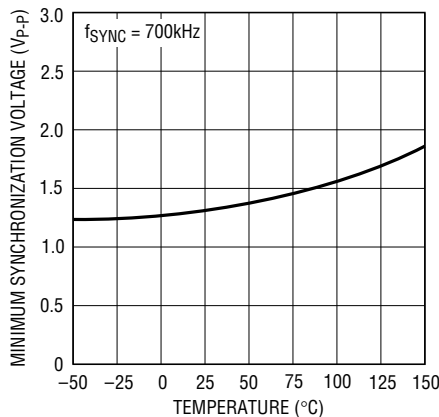
LT1513 • G06

**Output Charging Characteristics Showing Constant-Current and Constant-Voltage Operation**



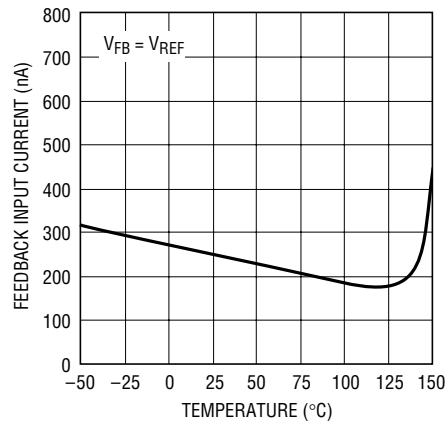
1513 G07

**Minimum Peak-to-Peak Synchronization Voltage vs Temperature**



LT1513 • G04

**Feedback Input Current vs Temperature**



LT1513 • G05

## PIN FUNCTIONS

**V<sub>C</sub> (Pin 1):** The compensation pin is primarily used for frequency compensation, but it can also be used for soft starting and current limiting. It is the output of the error amplifier and the input of the current comparator. Peak switch current increases from 0A to 3.6A as the V<sub>C</sub> voltage varies from 1V to 1.9V. Current out of the V<sub>C</sub> pin is about 200μA when the pin is externally clamped below the internal 1.9V clamp level. Loop frequency compensation is performed with a capacitor or series RC network from the V<sub>C</sub> pin *directly to the ground pin* (avoid ground loops).

**FB (Pin 2):** The feedback pin is used for positive output voltage sensing. The R1/R2 voltage divider connected to FB defines Li-Ion float voltage at full charge, or acts as a voltage limiter for NiCd or NiMH applications. FB is the inverting input to the voltage error amplifier. Input bias current is typically 300nA, so divider current is normally set to 100μA to swamp out any output voltage errors due to bias current. The noninverting input of this amplifier is tied internally to a 1.245V reference. The grounded end of the output voltage divider should be connected directly to the LT1513 ground pin (avoid ground loops).

**I<sub>FB</sub> (Pin 3):** The current feedback pin is used to sense charging current. It is the input to a current sense amplifier that controls charging current when the battery voltage is below a programmed limit. During constant-current operation, the LT1513 I<sub>FB</sub> pin regulates at –100mV. Input resistance of this pin is 5kΩ, so filter resistance (R4, Figure 1) should be less than 50Ω. The 39Ω, 0.22μF filter shown in Figure 1 is used to convert the pulsating current in the sense resistor to a smooth DC current feedback signal. The LT1513-2 I<sub>FB</sub> pin regulates at 0mV to provide programmable current limit. The current through R5, Figure 5, is balanced by the current through R4, programming the maximum voltage across R3.

**GND (Pin 4):** The ground pin is common to both control circuitry and switch current. V<sub>C</sub>, FB and S/S signals must be Kelvin and connected as close as possible to this pin. The TAB of the R package should also be connected to the power ground.

**V<sub>SW</sub> (Pin 5):** The switch pin is the collector of the power switch, carrying up to 3A of current with fast rise and fall times. Keep the traces on this pin as short as possible to minimize radiation and voltage spikes. In particular, the path in Figure 1 which includes SW to C2, D1, C1 and around to the LT1513 ground pin should be as short as possible to minimize voltage spikes at switch turn-off.

**S/S (Pin 6):** This pin can be used for shutdown and/or synchronization. It is logic level compatible, but can be tied to V<sub>IN</sub> if desired. It defaults to a high ON state when floated. A logic low state will shut down the charger to a micropower state. Driving the S/S pin with a continuous logic signal of 600kHz to 800kHz will synchronize switching frequency to the external signal. Shutdown is avoided in this mode with an internal timer.

**V<sub>IN</sub> (Pin 7):** The input supply pin should be bypassed with a low ESR capacitor located right next to the IC chip. The grounded end of the capacitor must be connected directly to the ground plane to which the TAB is connected.

**TAB:** The TAB on the surface mount R package is electrically connected to the ground pin, but a low inductance connection must be made to both the TAB and the pin for proper circuit operation. See suggested PC layout in Figure 4.

## BLOCK DIAGRAM

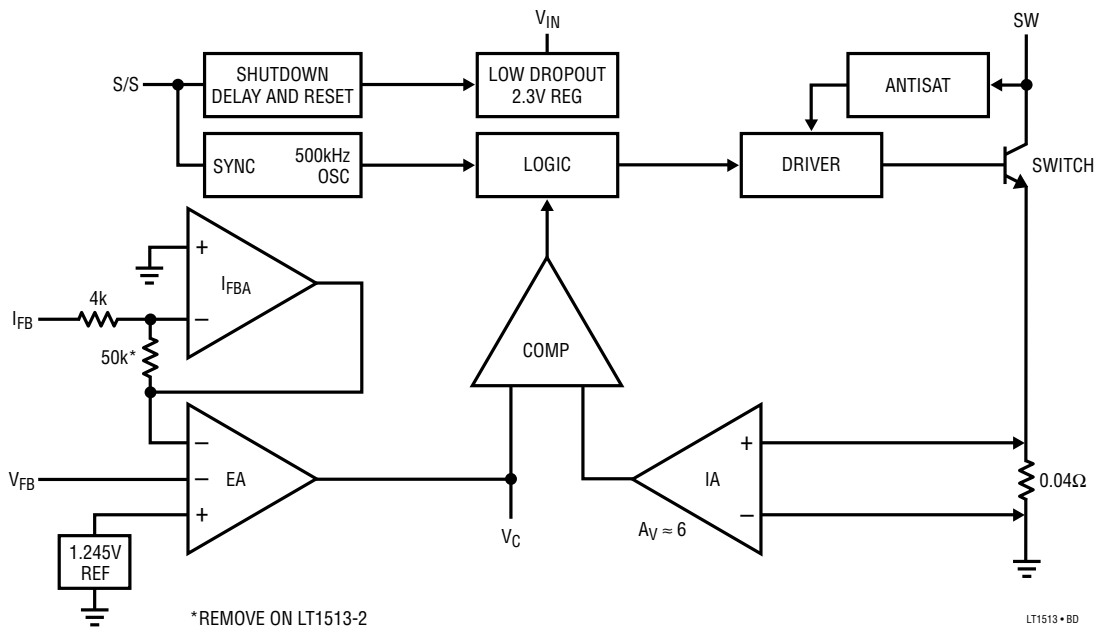


Figure 2

## OPERATION

The LT1513 is a current mode switcher. This means that switch duty cycle is directly controlled by switch current rather than by output voltage or current. Referring to the Block Diagram, the switch is turned “on” at the start of each oscillator cycle. It is turned “off” when switch current reaches a predetermined level. Control of output voltage and current is obtained by using the output of a dual feedback voltage sensing error amplifier to set switch current trip level. This technique has the advantage of simplified loop frequency compensation. A low dropout internal regulator provides a 2.3V supply for all internal circuitry on the LT1513. This low dropout design allows input voltage to vary from 2.7V to 25V. A 500kHz oscillator is the basic clock for all internal timing. It turns “on” the output switch via the logic and driver circuitry. Special adaptive antisat circuitry detects onset of saturation in the power switch and adjusts driver current instantaneously to limit switch saturation. This minimizes driver dissipation and provides very rapid turn-off of the switch.

A unique error amplifier design has two inverting inputs which allow for sensing both output voltage and current. A

1.245V bandgap reference biases the noninverting input. The first inverting input of the error amplifier is brought out for positive output voltage sensing. The second inverting input is driven by a “current” amplifier which is sensing output current via an external current sense resistor. The current amplifier is set to a fixed gain of  $-12.5$  which provides a  $-100\text{mV}$  current limit sense voltage.

The LT1513-2 option removes the feedback resistors around the  $I_{FB}$  amplifier and connects its output to the FB signal. This provides a ground referenced current sense voltage suitable for external current programming and makes amplifier input and output available for external loop compensation.

The error signal developed at the amplifier output is brought out externally and is used for frequency compensation. During normal regulator operation this pin sits at a voltage between 1V (low output current) and 1.9V (high output current). Switch duty cycle goes to zero if the  $V_C$  pin is pulled below the  $V_C$  pin threshold, placing the LT1513 in an idle mode.

## APPLICATIONS INFORMATION

The LT1513 is an IC battery charger chip specifically optimized to use the SEPIC converter topology. A complete charger schematic is shown in Figure 1. The SEPIC topology has unique advantages for battery charging. It will operate with input voltages above, equal to or below the battery voltage, has no path for battery discharge when turned off, and eliminates the snubber losses of flyback designs. It also has a current sense point that is ground referred and need not be connected directly to the battery. The two inductors shown are actually just two identical windings on one inductor core, although two separate inductors can be used.

A current sense voltage is generated with respect to ground across R3 in Figure 1. The average current through R3 is always identical to the current delivered to the battery. The LT1513 current limit loop will servo the voltage across R3 to  $-100\text{mV}$  when the battery voltage is below the voltage limit set by the output divider R1/R2. Constant-current charging is therefore set at  $100\text{mV}/R3$ . R4 and C4 filter the current signal to deliver a smooth feedback voltage to the  $I_{FB}$  pin. R1 and R2 form a divider for battery voltage sensing and set the battery float voltage. The suggested value for R2 is  $12.4\text{k}$ . R1 is calculated from:

$$R1 = \frac{R2(V_{BAT} - 1.245)}{1.245 + R2(0.3\mu\text{A})}$$

$V_{BAT}$  = battery float voltage

$0.3\mu\text{A}$  = typical FB pin bias current

A value of  $12.4\text{k}$  for R2 sets divider current at  $100\mu\text{A}$ . This is a constant drain on the battery when power to the charger is off. If this drain is too high, R2 can be increased to  $41.2\text{k}$ , reducing divider current to  $30\mu\text{A}$ . This introduces an additional uncorrectable error to the constant voltage float mode of about  $\pm 0.5\%$  as calculated by:

$$V_{BAT} \text{ Error} = \frac{\pm 0.15\mu\text{A}(R1)(R2)}{1.245(R1 + R2)}$$

$\pm 0.15\mu\text{A}$  = expected variation in FB bias current around the nominal  $0.3\mu\text{A}$  typical value.

With  $R2 = 41.2\text{k}$  and  $R1 = 228\text{k}$ , ( $V_{BAT} = 8.2\text{V}$ ), the error due to variations in bias current would be  $\pm 0.42\%$ .

A second option is to disconnect the divider when charger power is off. This can be done with a small NFET as shown in

Figure 3. D2, C6 and R6 form a peak detector to drive the gate of the FET to about the same as the battery voltage. If power is turned off, the gate will drop to  $0\text{V}$  and the only drain on the battery will be the reverse leakage of the catch diode D1. See Diode Selection for a discussion of diode leakage.

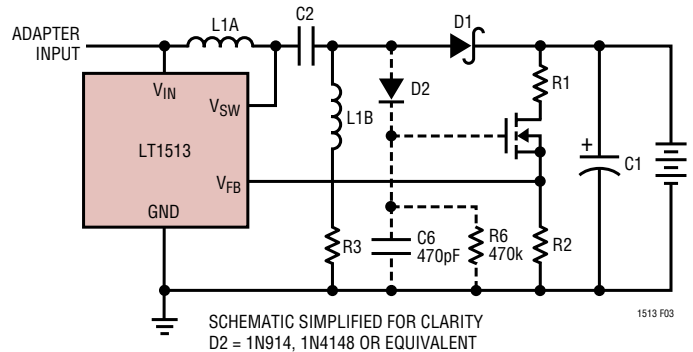


Figure 3. Eliminating Divider Current

### Maximum Input Voltage

Maximum input voltage for the LT1513 is partly determined by battery voltage. A SEPIC converter has a maximum switch voltage equal to input voltage plus output voltage. The LT1513 has a maximum input voltage of  $30\text{V}$  and a maximum switch voltage of  $40\text{V}$ , so this limits maximum input voltage to  $30\text{V}$ , or  $40\text{V} - V_{BAT}$ , whichever is less.

### Shutdown and Synchronization

The dual function S/S pin provides easy shutdown and synchronization. It is logic level compatible and can be pulled high or left floating for normal operation. A logic low on the S/S pin activates shutdown, reducing input supply current to  $12\mu\text{A}$ . To synchronize switching, drive the S/S pin between  $600\text{kHz}$  and  $800\text{kHz}$ .

### Inductor Selection

L1A and L1B are normally just two identical windings on one core, although two separate inductors can be used. A typical value is  $10\mu\text{H}$ , which gives about  $0.5\text{A}$  peak-to-peak inductor current. Lower values will give higher ripple current, which reduces maximum charging current.  $5\mu\text{H}$  can be used if charging currents are at least  $20\%$  lower than the values

## APPLICATIONS INFORMATION

shown in the maximum charging current graph. Higher inductance values give slightly higher maximum charging current, but are larger and more expensive. A low loss toroid core such as Kool M $\mu$ <sup>®</sup>, Molypermalloy or Metglas<sup>®</sup> is recommended. Series resistance should be less than 0.04 $\Omega$  for each winding. “Open core” inductors, such as rods or barrels are not recommended because they generate large magnetic fields which may interfere with other electronics close to the charger.

### Input Capacitor

The SEPIC topology has relatively low input ripple current compared to other topologies and higher harmonics are especially low. RMS ripple current in the input capacitor is less than 0.25A with  $L = 10\mu\text{H}$  and less than 0.5A with  $L = 5\mu\text{H}$ . A low ESR 22 $\mu\text{F}$ , 25V solid tantalum capacitor (AVX type TPS or Sprague type 593D) is adequate for most applications with the following caveat. Solid tantalum capacitors can be destroyed with a very high turn-on surge current such as would be generated if a low impedance input source were “hot switched” to the charger input. If this condition can occur, the input capacitor should have the highest possible voltage rating, at least twice the surge input voltage if possible. Consult with the capacitor manufacturer before a final choice is made. A 4.7 $\mu\text{F}$  ceramic capacitor such as the one used for the coupling capacitor can also be used. These capacitors do not have a turn-on surge limitation. The input capacitor must be connected directly to the  $V_{\text{IN}}$  pin and the ground plane close to the LT1513.

### Output Capacitor

It is assumed as a worst case that all the switching output ripple current from the battery charger could flow in the output capacitor. This is a desirable situation if it is necessary to have very low switching ripple current in the battery itself. Ferrite beads or line chokes are often inserted in series with the battery leads to eliminate high frequency currents that could create EMI problems. This forces all the ripple current into the output capacitor. Total RMS current into the capacitor has a maximum value of about 1A, and this is handled with the two paralleled 22 $\mu\text{F}$ , 25V capacitors shown

in Figure 1. These are AVX type TPS or Sprague type 593D surface mount solid tantalum units intended for switching applications. Do not substitute other types without ensuring that they have adequate ripple current ratings. See Input Capacitor section for details of surge limitation on solid tantalum capacitors if the battery may be “hot switched” to the output of the charger.

### Coupling Capacitor

C2 in Figure 1 is the coupling capacitor that allows a SEPIC converter topology to work with input voltages either higher or lower than the battery voltage. DC bias on the capacitor is equal to input voltage. RMS ripple current in the coupling capacitor has a maximum value of about 1A at full charging current. A conservative formula to calculate this is:

$$I_{\text{COUP(RMS)}} = \frac{I_{\text{CHRG}}(V_{\text{IN}} + V_{\text{BAT}})(1.1)}{2(V_{\text{IN}})}$$

(1.1 is a fudge factor to account for inductor ripple current and other losses)

With  $I_{\text{CHRG}} = 1.2\text{A}$ ,  $V_{\text{IN}} = 15\text{V}$  and  $V_{\text{BAT}} = 8.2\text{V}$ ,  $I_{\text{COUP}} = 1.02\text{A}$ .

The recommended capacitor is a 4.7 $\mu\text{F}$  ceramic type from Marcon or Tokin. These capacitors have extremely low ESR and high ripple current ratings in a small package. Solid tantalum units can be substituted if their ripple current rating is adequate, but typical values will increase to 22 $\mu\text{F}$  or more to meet the ripple current requirements.

### Diode Selection

The switching diode should be a Schottky type to minimize both forward and reverse recovery losses. Average diode current is the same as output charging current, so this will be under 2A. A 3A diode is recommended for most applications, although smaller devices could be used at reduced charging current. *Maximum diode reverse voltage will be equal to input voltage plus battery voltage.*

Diode reverse leakage current will be of some concern during charger shutdown. This leakage current is a direct drain on the battery when the charger is not powered. High

Kool M $\mu$  is a registered trademark of Magnetics, Inc.  
Metglas is a registered trademark of AlliedSignal Inc.



## APPLICATIONS INFORMATION

current Schottky diodes have relatively high leakage currents (5µA to 500µA) even at room temperature. The latest very-low-forward devices have especially high leakage currents. It has been noted that surface mount versions of some Schottky diodes have as much as ten times the leakage of their through-hole counterparts. This may be because a low forward voltage process is used to reduce power dissipation in the surface mount package. In any case, check leakage specifications carefully before making a final choice for the switching diode. Be aware that diode manufacturers want to specify a maximum leakage current that is ten times higher than the typical leakage. It is very difficult to get them to specify a low leakage current in high volume production. This is an on going problem for all battery charger circuits and most customers have to settle for a diode whose typical leakage is adequate, but theoretically has a worst-case condition of higher than desired battery drain.

### Thermal Considerations

Care should be taken to ensure that worst-case conditions do not cause excessive die temperatures. Typical thermal resistance is 30°C/W for the R package but this number will

vary depending on the mounting technique (copper area, airflow, etc.).

Average supply current (including driver current) is:

$$I_{IN} = 4\text{mA} + \frac{(V_{BAT})(I_{CHRG})(0.024)}{V_{IN}}$$

Switch power dissipation is given by:

$$P_{SW} = \frac{(I_{CHRG})^2 (R_{SW})(V_{BAT} + V_{IN})(V_{BAT})}{(V_{IN})^2}$$

$R_{SW}$  = Output switch ON resistance

Total power dissipation of the die is equal to supply current times supply voltage, plus switch power:

$$P_{D(TOTAL)} = (I_{IN})(V_{IN}) + P_{SW}$$

For  $V_{IN} = 10\text{V}$ ,  $V_{BAT} = 8.2\text{V}$ ,  $I_{CHRG} = 1.2\text{A}$ ,  $R_{SW} = 0.3\Omega$ ,

$$I_{IN} = 4\text{mA} + 24\text{mA} = 28\text{mA}$$

$$P_{SW} = 0.64\text{W}$$

$$P_D = (10)(0.028) + 0.64 = 0.92\text{W}$$

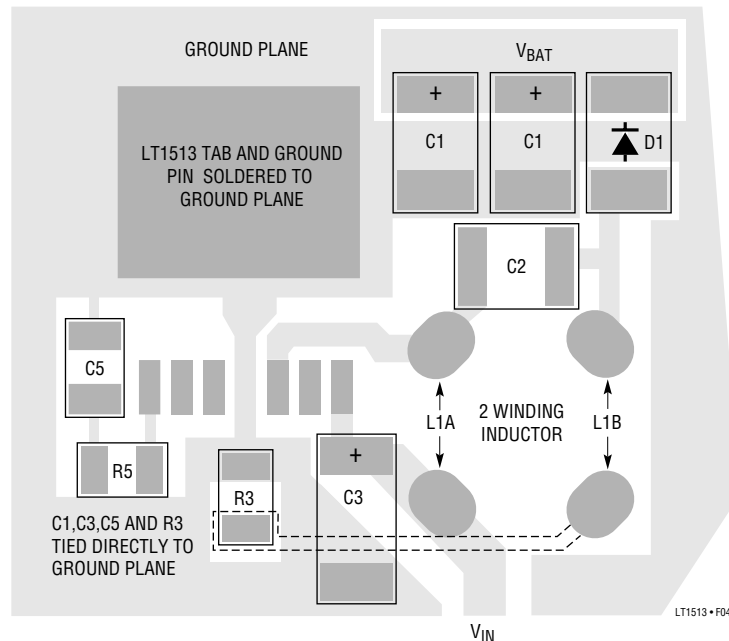


Figure 4. LT1513 Suggested Partial Layout for Critical Thermal and Electrical Paths

## APPLICATIONS INFORMATION

### Programmed Charging Current

LT1513-2 charging current can be programmed with a DC voltage source or equivalent PWM signal, as shown in Figure 5. In constant-current mode,  $I_{FB}$  acts as a virtual ground. The  $I_{SET}$  voltage across R5 is balanced by the voltage across R4 in the ratio R4/R5.

Charging current is given by:

$$I_{CHARGE} = \frac{(V_{ISET})(R4/R5) - I_{FBVOS}}{R3}$$

$I_{FB}$  input current is small and can normally be ignored, but  $I_{FB}$  offset voltage must be considered if operating over a wide range of program currents. The voltage across R3 at maximum charge current can be increased to reduce offset errors at lower charge currents. In Figure 5,  $I_{SET}$  from 0V to 5V corresponds to an  $I_{CHARGE}$  of 0A to 1A +37/-62mA. C4 and R4 smooth the switch current waveform. During constant-current operation, the voltage feedback network loads the FB pin, which is held at  $V_{REF}$  by the  $I_{FB}$  amplifier. It is recommended that this load does not

exceed 60µA to maintain a sharp constant voltage to constant current crossover characteristic.  $I_{CHARGE}$  can also be controlled by a PWM input. Assuming the signal is a CMOS rail-to-rail output with a source impedance of less than a few hundred ohms, effective  $I_{SET}$  is  $V_{CC}$  multiplied by the PWM ratio.  $I_{CHARGE}$  has good linearity over the entire 0% to 100% range.

### Voltage Mode Loop Stability

The LT1513 operates in constant-voltage mode during the final phase of charging lithium-ion and lead-acid batteries. This feedback loop is stabilized with a series resistor and capacitor on the  $V_C$  pin of the chip. Figure 6 shows the simplified model for the voltage loop. The error amplifier is modeled as a transconductance stage with  $g_m = 1500\mu mho$

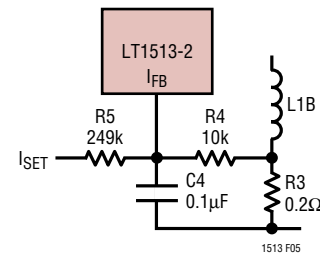
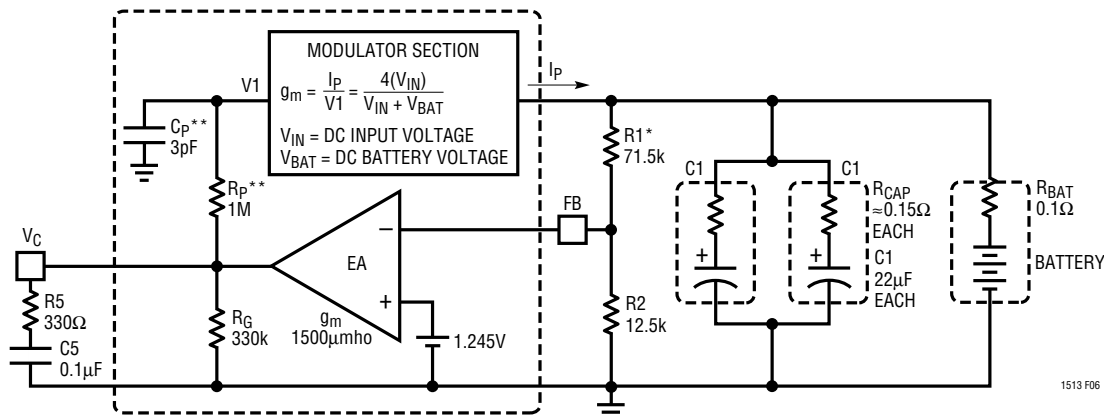


Figure 5



- \* FOR 8.4V BATTERY. ADJUST VALUE OF R1 FOR ACTUAL BATTERY VOLTAGE
- \*\*  $R_p$  AND  $C_p$  MODEL PHASE DELAY IN THE MODULATOR

THIS IS A SIMPLIFIED AC MODEL FOR THE LT1513 IN CONSTANT-VOLTAGE MODE. RESISTOR AND CAPACITOR NUMBERS CORRESPOND TO THOSE USED IN FIGURE 1.  $R_p$  AND  $C_p$  MODEL THE PHASE DELAY IN THE MODULATOR.  $C_3$  IS 3pF FOR A 10µH INDUCTOR. IT SHOULD BE SCALED PROPORTIONALLY FOR OTHER INDUCTOR VALUES (6pF FOR 20µH). THE MODULATOR IS A TRANSCONDUCTANCE WHOSE GAIN IS A FUNCTION OF INPUT AND BATTERY VOLTAGE AS SHOWN.

AS SHOWN, THIS LOOP HAS A UNITY-GAIN FREQUENCY OF ABOUT 250Hz. UNITY-GAIN WILL MOVE OUT TO SEVERAL KILOHERTZ IF BATTERY RESISTANCE INCREASES TO SEVERAL OHMS. R5 IS NOT USED IN ALL APPLICATIONS, BUT IT GIVES BETTER PHASE MARGIN IN CONSTANT-VOLTAGE MODE WITH HIGH BATTERY RESISTANCE.

Figure 6. Constant-Voltage Small-Signal Model

## APPLICATIONS INFORMATION

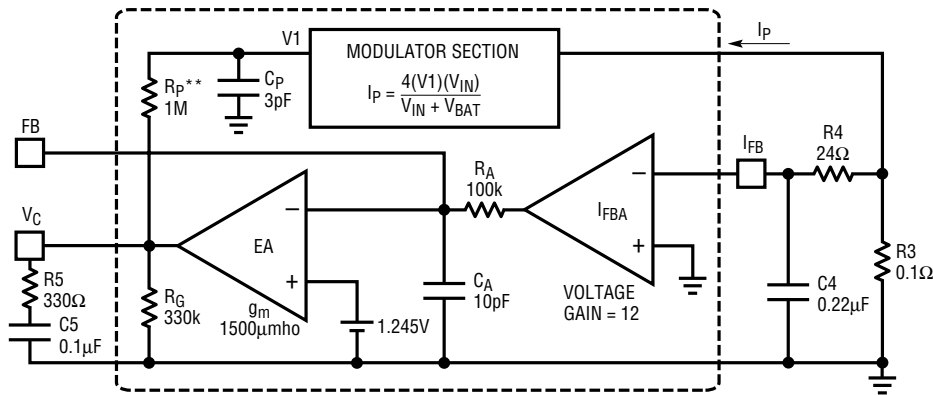
(from the Electrical Characteristics). Amplifier output resistance is modeled with a 330k resistor. The power stage (modulator section) of the LT1513 is modeled as a transconductance whose value is  $4(V_{IN})/(V_{IN} + V_{BAT})$ . This is a very simplified model of the actual power stage, but it is sufficient when the unity-gain frequency of the loop is low compared to the switching frequency. The output filter capacitor model includes its ESR ( $R_{CAP}$ ). A series resistance ( $R_{BAT}$ ) is also assigned to the battery model.

Analysis of this loop normally shows an extremely stable system for all conditions, even with  $0\Omega$  for  $R_5$ . The one condition which can cause reduced phase margin is with a very large battery resistance ( $>5\Omega$ ), or with the battery replaced with a resistive load. The addition of  $R_5$  gives good phase margin even under these unusual conditions.  $R_5$  should not be increased above  $330\Omega$  without checking for two possible problems. The first is instability in the constant current region (see Constant-Current Mode Loop Stability), and the second is subharmonic switching where switch duty cycle varies from cycle to cycle. This duty cycle instability is caused by excess switching frequency ripple voltage on the  $V_C$  pin. Normally this ripple is very low because of the filtering effect of  $C_5$ , but large values of  $R_5$  can allow high ripple on the  $V_C$  pin. Normal loop analysis does not show this

problem, and indeed small signal loop stability can be excellent even in the presence of subharmonic switching. The primary issue with subharmonics is the presence of EMI at frequencies below 500kHz.

### Constant-Current Mode Loop Stability

The LT1513 is normally very stable when operating in constant-current mode (see Figure 7), but there are certain conditions which may create instabilities. The combination of higher value current sense resistors (low programmed charging current), higher input voltages, and the addition of a loop compensation resistor ( $R_5$ ) on the  $V_C$  pin may create an unstable current mode loop. (A resistor is sometimes added in series with  $C_5$  to improve loop phase margin when the loop is operating in voltage mode.) Instability results because loop gain is too high in the 50kHz to 150kHz region where excess phase occurs in the current sensing amplifier and the modulator. The  $I_{FBA}$  amplifier (gain of  $-12.5$ ) has a pole at approximately 150kHz. The modulator section consisting of the current comparator, the power switch and the magnetics, has a pole at approximately 50kHz when the coupled inductor value is  $10\mu H$ . Higher inductance will reduce the pole frequency proportionally. The design procedure presented here is to roll off the loop to unity-gain at a frequency of 25kHz or lower to avoid these excess phase regions.



THIS IS A SIMPLIFIED AC MODEL FOR THE LT1513 IN CONSTANT-CURRENT MODE. RESISTOR AND CAPACITOR NUMBERS CORRESPOND TO THOSE USED IN FIGURE 1.  $R_P$  AND  $C_P$  MODEL THE PHASE DELAY IN THE PowerPath.  $C_3$  IS 3pF FOR A  $10\mu H$  INDUCTOR. IT SHOULD BE SCALED PROPORTIONALLY FOR OTHER INDUCTOR VALUES (6pF FOR  $20\mu H$ ). THE PowerPath IS A TRANSCONDUCTANCE WHOSE GAIN IS A FUNCTION OF INPUT AND BATTERY VOLTAGE AS SHOWN.

THE CURRENT AMPLIFIER HAS A FIXED VOLTAGE GAIN OF 12. ITS PHASE DELAY IS MODELED WITH  $R_A$  AND  $C_A$ .

THE ERROR AMPLIFIER HAS A TRANSCONDUCTANCE OF  $1500\mu mho$  AND AN INTERNAL OUTPUT SHUNT RESISTANCE OF 330k.

AS SHOWN, THIS LOOP HAS A UNITY-GAIN FREQUENCY OF ABOUT 27kHz.  $R_5$  IS NOT USED IN ALL APPLICATIONS, BUT IT GIVES BETTER PHASE MARGIN IN CONSTANT VOLTAGE MODE.

1513 F07

Figure 7. Constant-Current Small-Signal Model

## APPLICATIONS INFORMATION

The suggested way to control unity loop frequency is to increase the filter time constant on the I<sub>FB</sub> pin (R4/C4 in Figures 1 and 7). The filter resistor cannot be arbitrarily increased because high values will affect charging current accuracy. Charging current will increase by 1% for each 40Ω increase in R4. There is no inherent limitation on the value of C4, but if this capacitor is ceramic, it should be an X7R type to maintain its value over temperature. X7R dielectric requires a larger footprint.

The formula for calculating the minimum value for the filter capacitor C4 is:

$$C4 = \frac{(R3)(4)(V_{IN})(12)(1500\mu)(R5)}{2\pi(f)(R4)(V_{IN} + V_{BAT})}$$

V<sub>IN</sub> = Highest input voltage

1500μ = Transconductance of error amplifier

(EA)f = Desired unity-gain frequency

V<sub>BAT</sub> = Battery voltage

For example, assume V<sub>IN(MAX)</sub> = 15V, R3 = 0.4Ω (charging current set to 0.25A), R4 = 24Ω, R5 = 330Ω and V<sub>BAT</sub> = 8V,

$$C4 = \frac{0.4(4)(15)(12)(0.0015)(330)}{6.3(25000)(39)(15 + 8)} = 1\mu F$$

The value for C4 could be reduced to a more manageable size by increasing R4 to 75Ω and reducing R5 to 300Ω, yielding 0.47μF for C4. The 2% increase in charging current can be ignored or factored into the value for R3.

### More Help

Linear Technology Field Application Engineers have a CAD spreadsheet program for detailed calculations of circuit operating conditions. In addition, our Applications Department is always ready to lend a helping hand. The LT1371 data sheet may also be helpful. The LT1513 is identical except for the current amplifier circuitry.

## TYPICAL APPLICATIONS

### Lithium-Ion Battery Charger with Switchable Charge Current

Many battery chemistries require several constant-current settings during the charging cycle. The circuit shown in Figure 8 uses the LT1513-2 to provide switchable 1.35A and 0.13A constant-current modes. The circuit is based on a standard SEPIC battery charger circuit set to a single lithium-ion cell charge voltage of 4.1V. The LT1513-2 has  $I_{FB}$  referenced to ground allowing a simple resistor network to set the charging current values. In constant-current mode, the  $I_{FB}$  error amplifier drives the FB pin, increasing charging current, until  $I_{R4}$  is balanced by  $I_{R5}$ .

$$I_{CHARGE} = \frac{(I_{R5})(R4) - I_{FBVOS}}{R3}$$

There are several ways to control  $I_{R5}$  including DAC, PWM or resistor network as shown here. If the lithium cell requires precharging, Q1 is turned on, setting a constant current of 0.13A. When charge voltage is reached, Q1 is turned off, programming the full charge current of 1.35A. As the cell voltage approaches 4.1V, the voltage sensing network (R1, R2) starts driving the  $V_{FB}$  pin, changing the LT1513-2 to constant-voltage mode. As charging current falls, the output remains in constant-voltage mode for the remainder of the charging cycle. When charging is complete, the LT1513-2 can be shut down with the S/S pin.

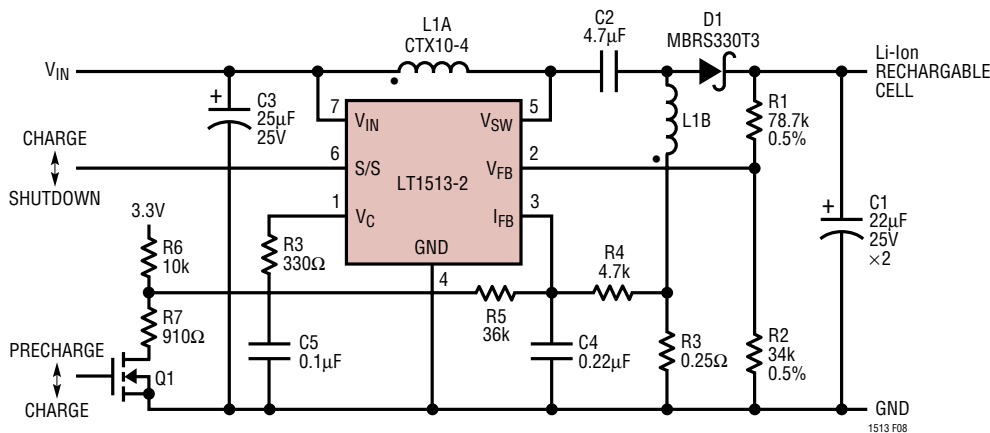
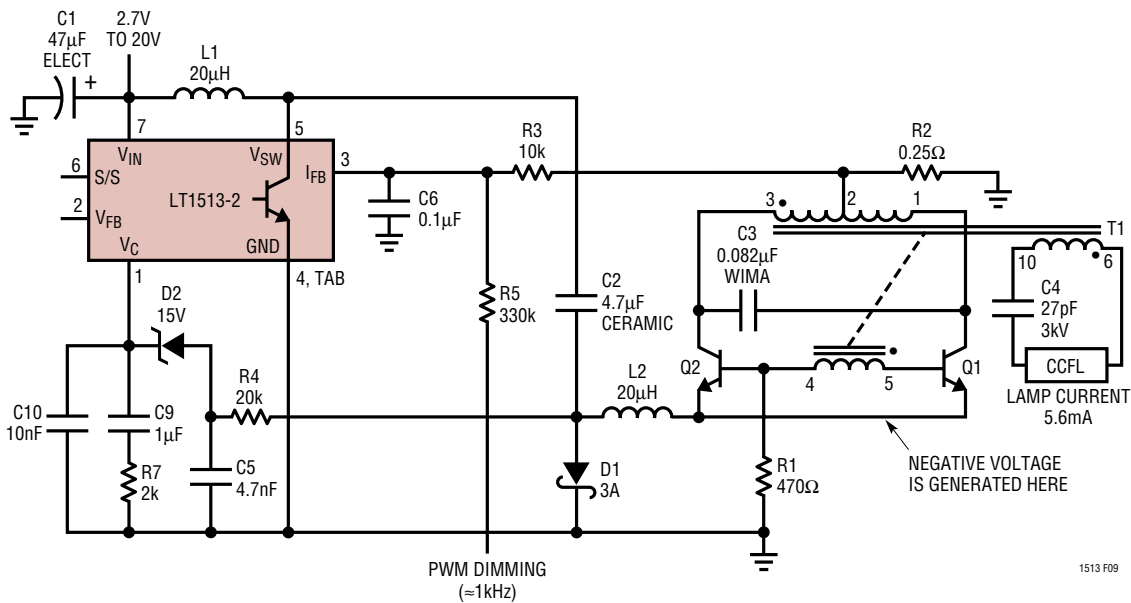


Figure 8. Lithium-Ion Battery Charger

**TYPICAL APPLICATIONS**

This Cold Cathode Fluorescent Lamp driver uses a Royer class self-oscillating sine wave converter to driver a high voltage lamp with an AC waveform. CCFL Royer converters have significantly degraded efficiency if they must operate at low input voltages, and this circuit was designed to handle input voltages as low as 2.7V. Therefore, the LT1513 is connected to generate a negative current through L2 that allows the Royer to operate as if it were connected to a constant higher voltage input.

The Royer output winding and the bulb are allowed to float in this circuit. This can yield significantly higher efficiency in situations where the stray bulb capacitance to surrounding enclosure is high. To regulate bulb current in Figure 9, Royer *input* current is sensed with R2 and filtered with R3 and C6. This negative feedback signal is applied to the I<sub>FB</sub> pin of the LT1513. For more information on this circuit contact the LTC Applications Department and see Design Note 133. Considerable written application literature on Royer CCFL circuits is also available from other LTC Application and Design Notes.

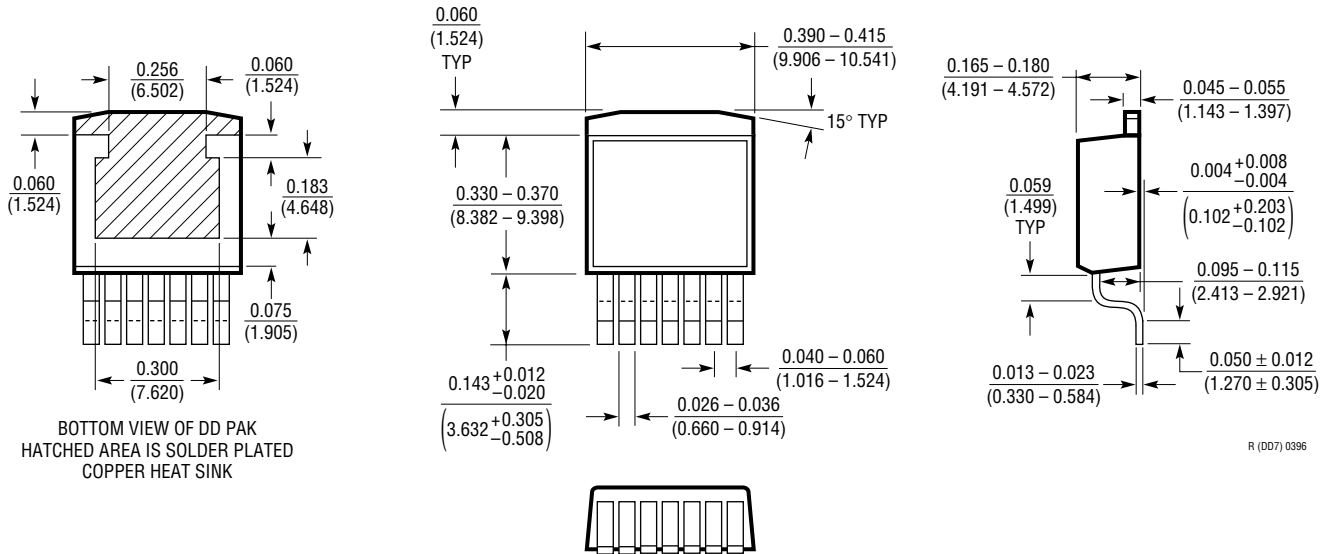


- C2: TOKIN MULTILAYER CERAMIC
- C3: MUST BE A LOW LOSS CAPACITOR, WIMA MKP-20 OR EQUIVALENT
- L1, L2: COILTRONICS CTX20-4 (MUST BE SEPARATE INDUCTORS)
- Q1, Q2: ZETEX ZTX849 OR FZT849
- T1: COILTRONICS CTX110605 (67:1)

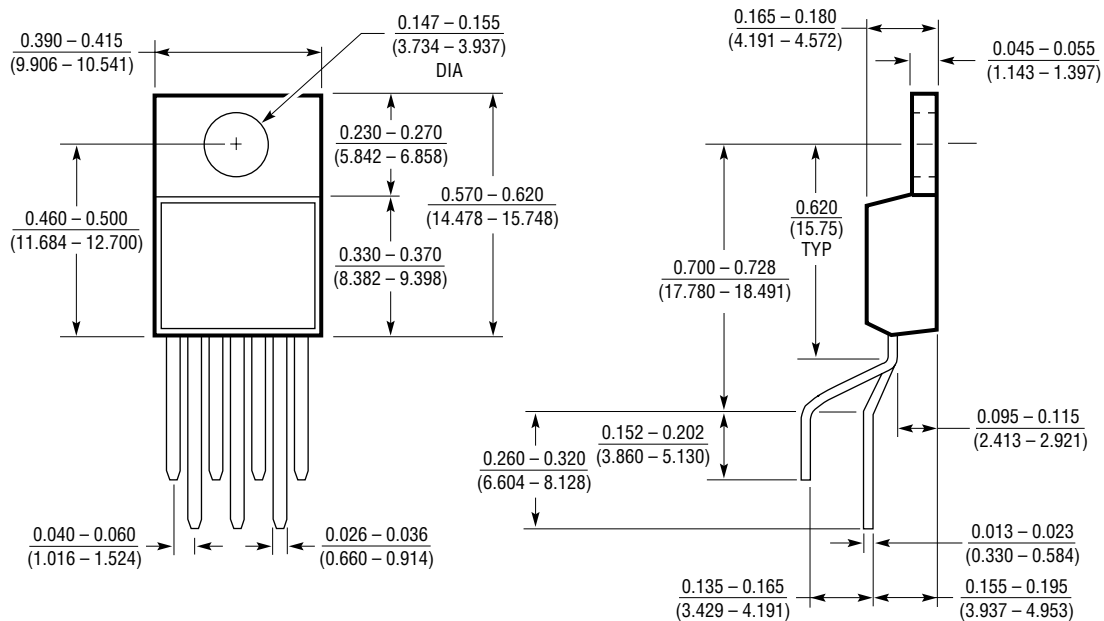
**Figure 9. CCFL Power Supply for Floating Lamp Configuration Operates on 2.7V**

**PACKAGE DESCRIPTION** Dimensions in inches (millimeters) unless otherwise noted.

**R Package**  
**7-Lead Plastic DD Pak**  
 (LTC DWG # 05-08-1462)



**T7 Package**  
**7-Lead Plastic TO-220 (Standard)**  
 (LTC DWG # 05-08-1422)



## RELATED PARTS

PART NUMBER	DESCRIPTION	COMMENTS
LT1239	Backup Battery Management System	Charges Backup Battery and Regulates Backup Battery Output when Main Battery Removed
LTC®1325	Microprocessor Controlled Battery Management System	Can Charge, Discharge and Gas Gauge NiCd, NiMH and Pb-Acid Batteries with Software Charging Profiles
LT1510	1.5A Constant-Current/Constant-Voltage Battery Charger	Step-Down Charger for Li-Ion, NiCd and NiMH
LT1511	3.0A Constant-Current/Constant-Voltage Battery Charger with Input Current Limiting	Step-Down Charger that Allows Charging During Computer Operation and Prevents Wall-Adapter Overload
LT1512	SEPIC Constant-Current/Constant-Voltage Battery Charger	Step-Up/Step-Down Charger for Up to 1A Current