

High-Accuracy One-Time Programmable Single-PLL Clock Generator

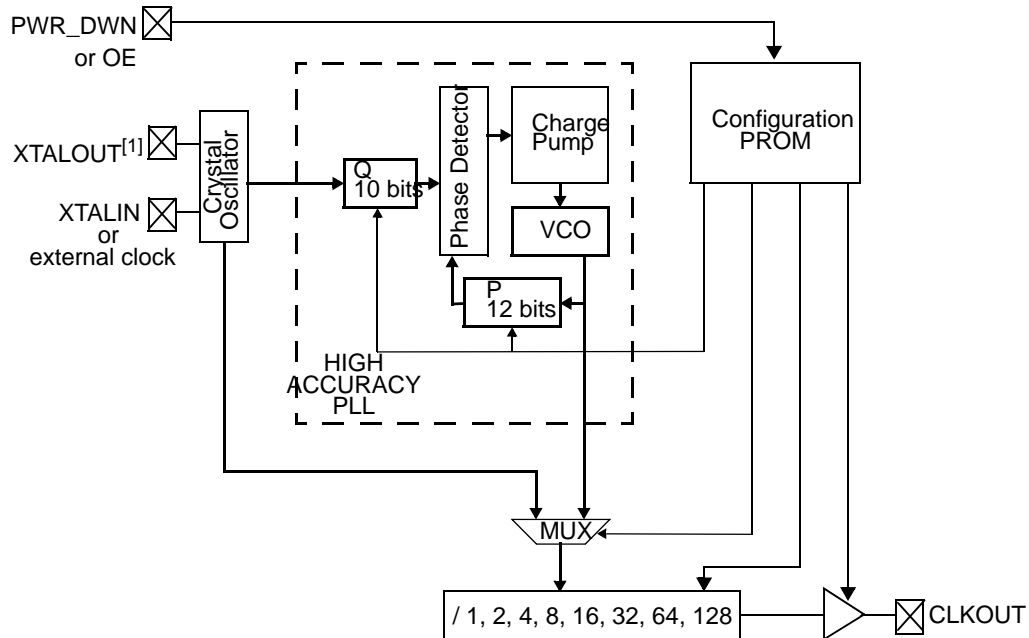
Features

- High-accuracy PLL with 12-bit multiplier and 10-bit divider
- One-time programmability
- 3.3 V or 5 V operation
- Operating frequency
 - 390 kHz–133 MHz at 5 V
 - 390 kHz–100 MHz at 3.3 V
- Reference input from either a 10 MHz–30 MHz fundamental toned crystal or a 1 MHz–75 MHz external clock
- PROM selectable TTL or CMOS duty cycle levels
- Sixteen selectable post-divide options, using either PLL or reference oscillator/external clock
- Programmable PWR_DWN or OE pin, with asynchronous or synchronous modes
- Low jitter outputs typically
 - 80 ps at 3.3 V/5 V
- Controlled rise and fall times and output slew rate
- Available in both commercial and industrial temperature ranges
- Factory programmable device options

Functional Description

For a complete list of related documentation, click [here](#).

Logic Block Diagram



Note

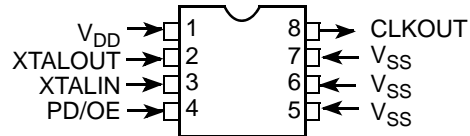
1. When using an external clock source, leave XTALOUT floating.

Contents

Pinouts	3	Switching Waveforms	12
Pin Definitions	3	Typical Rise/Fall Time Trends	13
Functional Overview	4	Typical Duty Cycle Trends	14
PROM Configuration Block	4	Typical Jitter Trends	15
PLL Output Frequency	4	Programming Procedures	16
Power Management Features	4	Ordering Information	16
Absolute Maximum Ratings	5	Package Diagrams	17
Operating Conditions	5	Document History Page	19
Electrical Characteristics	6	Sales, Solutions, and Legal Information	20
Output Clock Switching Characteristics		Worldwide Sales and Design Support	20
- Commercial	7	Products	20
Operating Conditions	8	PSoC® Solutions	20
Electrical Characteristics	9	Cypress Developer Community	20
Output Clock Switching Characteristics		Technical Support	20
- Industrial	10		

Pinouts

Figure 1. 8-pin SOIC pinout (Top View)



Pin Definitions

8-pin SOIC

Pin Name	Pin	Pin Description
V_{DD}	1	Voltage supply
V_{SS}	5, 6, 7	Ground (all the pins must be grounded)
X_D	2	Crystal output (leave this pin floating when external reference is used)
X_G	3	Crystal input or external input reference
PWR_DWN / OE	4	One-time programmable power-down or output enable pin. PWR_DWN is active low. OE is active high. Weak pull-up.
CLKOUT	8	Clock output. Weak pull-down

Functional Overview

CY2077 is an one-time programmable, high-accuracy, general-purpose, PLL-based design for use in applications such as modems, disk drives, CD-ROM drives, video CD players, DVD players, games, set-top boxes, and data/telecommunications.

CY2077 can generate a clock output up to 133 MHz at 5 V or 100 MHz at 3.3 V. It has been designed to give the customer a very accurate and stable clock frequency with little to zero PPM error. CY2077 contains a 12-bit feedback counter divider and 10-bit reference counter divider to obtain a very high resolution to meet the needs of stringent design specifications. Furthermore, there are eight output divide options of /1, /2, /4, /8, /16, /32, /64, and /128. The output divider can select between the PLL and crystal oscillator output/external clock, providing a total of 16 different options to add more flexibility in designs. TTL or CMOS duty cycles can be selected.

Power management with the CY2077 is also very flexible. The user can choose either a PWR_DWN, or an OE feature with which both have integrated pull up resistors. PWR_DWN and OE signals can be programmed to have asynchronous and synchronous timing with respect to the output signal. There is a weak pull down on the output that pulls CLKOUT LOW when either the PWR_DWN or OE signal is LOW. This weak pull down can easily be overridden by another clock signal in designs where multiple clock signals share a signal path.

Multiple options for output selection, better power distribution layout, and controlled rise and fall times enable the CY2077 to be used in applications that require low jitter and accurate reference frequencies.

PROM Configuration Block

Table 1. PROM Adjustable Features

PROM Adjustable Features	
Adjust Freq.	Feedback counter value (P)
	Reference counter value (Q)
	Output divider selection
Duty cycle levels (TTL or CMOS)	
Power management mode (OE or PWR_DWN)	
Power management timing (synchronous or asynchronous)	

Table 2. Device Functionality: Output Frequencies

Symbol	Description	Condition	Min	Max	Unit
Fo	Output frequency	V _{DD} = 4.5 V–5.5 V	0.39	133	MHz
		V _{DD} = 3.0 V–3.6 V	0.39	100	MHz

Note

- When using CyClocks, note that the PLL frequency range is from 50 MHz to 250 MHz for 5 V V_{DD} supply, and 50 MHz to 180 MHz for 3 V V_{DD} supply. The output frequency is determined by the selected output divider.

PLL Output Frequency

CY2077 contains a high-resolution PLL with 12-bit multiplier and 10-bit divider^[2]. The output frequency of the PLL is determined by the following formula:

$$F_{PLL} = \frac{2 \cdot (P + 5)}{(Q + 2)} \cdot F_{REF}$$

where P is the feedback counter value and Q is the reference counter value. P and Q are One-Time programmable values.

The calculation of P and Q values for a given PLL output frequency is handled by the CyberClocks™ software. Refer to [Programming Procedures on page 16](#) for details.

Power Management Features

PWR_DWN and OE options are configurable by PROM programming for the CY2077. In PWR_DWN mode, all active circuits are powered down when the control pin is set LOW. When the control pin is set back HIGH, both the PLL and oscillator circuit must reload. In the case of OE, the output is three-stated and weakly pulled down when the control pin is set LOW. The oscillator and PLL are still active in this state, which leads to a quick clock output return when the control pin is set back HIGH.

Additionally, PWR_DWN and OE can be configured to occur asynchronously or synchronously with respect to CLKOUT. In asynchronous mode, PWR_DWN or OE disables CLKOUT immediately (allowing for logic delays), without respect to the current state of CLKOUT. Synchronous mode prevents output glitches by waiting for the next falling edge of CLKOUT after PWR_DWN, or OE becomes asserted. In either asynchronous or synchronous setting, the output is always enabled synchronously by waiting for the next falling edge of CLKOUT.

Absolute Maximum Ratings

Exceeding maximum ratings may shorten the useful life of the device. User guidelines are not tested.

Supply voltage -0.5 to +7.0 V

Input voltage -0.5 V to $V_{DD} + 0.5$ V

Storage temperature (non-condensing) -55°C to +150°C

Junction temperature 150°C

Static discharge voltage
(per MIL-STD-883, method 3015) ≥ 2000 V

Operating Conditions

For Commercial Temperature Device

Parameter	Description	Min	Max	Unit
V_{DD}	Supply voltage	3.0	5.5	V
T_A	Operating temperature, ambient	0	+70	°C
C_{TTL}	Max. capacitive load on outputs for TTL levels $V_{DD} = 4.5$ V–5.5 V, output frequency = 1 MHz–40 MHz	–	50	pF
	$V_{DD} = 4.5$ V–5.5 V, output frequency = 40 MHz–125 MHz	–	25	pF
	$V_{DD} = 4.5$ V–5.5 V, output frequency = 125 MHz–133 MHz	–	15	pF
C_{CMOS}	Max. capacitive load on outputs for CMOS levels $V_{DD} = 4.5$ V–5.5 V, output frequency = 1 MHz–40 MHz	–	50	pF
	$V_{DD} = 4.5$ V–5.5 V, output frequency = 40 MHz–125 MHz	–	25	pF
	$V_{DD} = 4.5$ V–5.5 V, output frequency = 125 MHz–133 MHz	–	15	pF
	$V_{DD} = 3.0$ V–3.6 V, output frequency = 1 MHz–40 MHz	–	30	pF
	$V_{DD} = 3.0$ V–3.6 V, output frequency = 40 MHz–100 MHz	–	15	pF
X_{REF}	Reference frequency, input crystal with $C_{load} = 10$ pF	10	30	MHz
	Reference frequency, external clock source	1	75	MHz
t_{PU}	Power-up time for all VDD's to reach minimum specified voltage (power ramps must be monotonic)	0.05	50	ms

Electrical Characteristics

 $T_A = 0\text{ }^{\circ}\text{C to }+70\text{ }^{\circ}\text{C}$

Parameter	Description	Test Conditions	Min	Typ	Max	Unit
V _{IL}	Low-level input voltage	V _{DD} = 4.5 V–5.5 V	–	–	0.8	V
		V _{DD} = 3.0 V–3.6 V	–	–	0.2 × V _{DD}	V
V _{IH}	High-level input voltage	V _{DD} = 4.5 V–5.5 V	2.0	–	–	V
		V _{DD} = 3.0 V–3.6 V	0.7 × V _{DD}	–	–	V
V _{OL}	Low-level output voltage	V _{DD} = 4.5 V–5.5 V, I _{OL} = 16 mA	–	–	0.4	V
		V _{DD} = 3.0 V–3.6 V, I _{OL} = 8 mA	–	–	0.4	V
V _{OHC} MOS	High-level output voltage CMOS levels	V _{DD} = 4.5 V–5.5 V, I _{OH} = –16 mA	V _{DD} – 0.4	–	–	V
		V _{DD} = 3.0 V–3.6 V, I _{OH} = –8 mA	V _{DD} – 0.4	–	–	V
V _{OHTTL}	High-level output voltage TTL levels	V _{DD} = 4.5 V–5.5 V, I _{OH} = –8 mA	2.4	–	–	V
I _{IL}	Input low current	V _{IN} = 0 V	–	–	10	μA
I _{IH}	Input high current	V _{IN} = V _{DD}	–	–	5	μA
I _{DD}	Power supply current Unloaded	V _{DD} = 4.5 V–5.5 V, output frequency ≤ 133 MHz	–	–	45	mA
		V _{DD} = 3.0 V–3.6 V, output frequency ≤ 100 MHz	–	–	25	mA
I _{DD} ^[3]	Stand-by current (PD = 0)	V _{DD} = 4.5 V–5.5 V	–	25	100	μA
		V _{DD} = 3.0 V–3.6 V	–	10	50	μA
R _{UP}	Input pull-up resistor	V _{DD} = 4.5 V–5.5 V, V _{IN} = 0 V	1.1	3.0	8.0	MΩ
		V _{DD} = 4.5 V–5.5 V, V _{IN} = 0.7 × V _{DD}	50	100	200	kΩ
I _{OE_CLKOUT}	CLKOUT pull-down current	V _{DD} = 5.0 V	–	20	–	μA

Note

3. If external reference is used, it is required to stop the reference (set reference to LOW) during power-down.

Output Clock Switching Characteristics - Commercial

Over the Operating Range ^[4]

Parameter	Description	Test Conditions	Min	Typ	Max	Unit
t _{1w}	Output duty cycle at 1.4 V, V _{DD} = 4.5 V–5.5 V, t _{1w} = t _{1A} ÷ t _{1B}	1 MHz–40 MHz, C _L ≤ 50 pF	45	–	55	%
		40 MHz–125 MHz, C _L ≤ 25 pF	45	–	55	%
		125 MHz–133 MHz, C _L ≤ 15 pF	45	–	55	%
t _{1x}	Output duty cycle at V _{DD} /2, V _{DD} = 4.5 V–5.5 V, t _{1x} = t _{1A} ÷ t _{1B}	1 MHz–40 MHz, C _L ≤ 50 pF	45	–	55	%
		40 MHz–125 MHz, C _L ≤ 25 pF	45	–	55	%
		125 MHz–133 MHz, C _L ≤ 15 pF	45	–	55	%
t _{1y}	Output duty cycle at V _{DD} /2, V _{DD} = 3.0 V–3.6 V, t _{1y} = t _{1A} ÷ t _{1B}	1 MHz–40 MHz, C _L ≤ 30 pF	45	–	55	%
		40 MHz–100 MHz, C _L ≤ 15 pF	40	–	60	%
t ₂	Output clock rise time	Between 0.8 V–2.0 V, V _{DD} = 4.5 V–5.5 V, C _L = 50 pF	–	–	1.8	ns
		Between 0.8 V–2.0 V, V _{DD} = 4.5 V–5.5 V, C _L = 25 pF	–	–	1.2	ns
		Between 0.8 V–2.0 V, V _{DD} = 4.5 V–5.5 V, C _L = 15 pF	–	–	0.9	ns
		Between 0.2 × V _{DD} to 0.8 × V _{DD} , V _{DD} = 4.5 V–5.5 V, C _L = 50 pF	–	–	3.4	ns
		Between 0.2 × V _{DD} to 0.8 × V _{DD} , V _{DD} = 3.0 V–3.6 V, C _L = 30 pF	–	–	4.0	ns
		Between 0.2 × V _{DD} to 0.8 × V _{DD} , V _{DD} = 3.0 V–3.6 V, C _L = 15 pF	–	–	2.4	ns
t ₃	Output clock fall time	Between 0.8 V–2.0 V, V _{DD} = 4.5 V–5.5 V, C _L = 50 pF	–	–	1.8	ns
		Between 0.8 V–2.0 V, V _{DD} = 4.5 V–5.5 V, C _L = 25 pF	–	–	1.2	ns
		Between 0.8 V–2.0 V, V _{DD} = 4.5 V–5.5 V, C _L = 15 pF	–	–	0.9	ns
		Between 0.2 × V _{DD} to 0.8 × V _{DD} , V _{DD} = 4.5 V–5.5 V, C _L = 50 pF	–	–	3.4	ns
		Between 0.2 × V _{DD} to 0.8 × V _{DD} , V _{DD} = 3.0 V–3.6 V, C _L = 30 pF	–	–	4.0	ns
		Between 0.2 × V _{DD} to 0.8 × V _{DD} , V _{DD} = 3.0 V–3.6 V, C _L = 15 pF	–	–	2.4	ns
t ₄	Startup time out of power-down	PWR_DWN pin LOW to HIGH ^[5]	–	1	2	ms
t _{5a}	Power-down delay time (synchronous setting)	PWR_DWN pin LOW to output LOW (T = period of output CLK)	–	T/2	T + 10	ns
t _{5b}	Power-down delay time (asynchronous setting)	PWR_DWN pin LOW to output LOW	–	10	15	ns
t ₆	Power-up time	From power-on ^[5]	–	1	2	ms

Notes

- Not all parameters measured in production testing.
- Oscillator start time can not be guaranteed for all crystal types. This specification is for operation with AT cut crystals with ESR < 70 Ω.

Output Clock Switching Characteristics - Commercial (continued)

 Over the Operating Range ^[4]

Parameter	Description	Test Conditions	Min	Typ	Max	Unit
t _{7a}	Output disable time (synchronous setting)	OE pin LOW to output high-Z (T = period of output CLK)	–	T/2	T + 10	ns
t _{7b}	Output disable time (asynchronous setting)	OE pin LOW to output high-Z	–	10	15	ns
t ₈	Output enable time (always synchronous enable)	OE pin LOW to HIGH (T = period of output CLK)	–	T	(1.5 × T) + 25	ns
t ₉	Peak-to-peak period jitter	V _{DD} = 3.0 V–3.6 V, 4.5 V–5.5 V, F _o > 33 MHz, V _{CO} > 100 MHz	–	80	150	ps
		V _{DD} = 3.0 V–5.5 V, F _o < 33 MHz	–	0.3%	1%	% of F _O

Operating Conditions

For Industrial Temperature Device

Parameter	Description	Min	Max	Unit
V _{DD}	Supply voltage	3.0	5.5	V
T _A	Operating temperature, ambient	–40	+85	°C
C _{TTL}	Max. capacitive load on outputs for TTL levels V _{DD} = 4.5 V–5.5 V, output frequency = 1 MHz–40 MHz	–	35	pF
	V _{DD} = 4.5 V–5.5 V, output frequency = 40 MHz–125 MHz	–	15	pF
	V _{DD} = 4.5 V–5.5 V, output frequency = 125 MHz–133 MHz	–	10	pF
C _{CMOS}	Max. capacitive load on outputs for CMOS levels V _{DD} = 4.5 V–5.5 V, output frequency = 1 MHz–40 MHz	–	35	pF
	V _{DD} = 4.5 V–5.5 V, output frequency = 40 MHz–125 MHz	–	15	pF
	V _{DD} = 4.5 V–5.5 V, output frequency = 125 MHz–133 MHz	–	10	pF
	V _{DD} = 3.0 V–3.6 V, output frequency = 1 MHz–40 MHz	–	20	pF
	V _{DD} = 3.0 V–3.6 V, output frequency = 40 MHz–100 MHz	–	10	pF
X _{REF}	Reference frequency, input crystal with C _{load} = 10 pF	10	30	MHz
	Reference frequency, external clock source	1	75	MHz
t _{PU}	Power-up time for all VDD's to reach minimum specified voltage (power ramps must be monotonic)	0.05	50	ms

Electrical Characteristics

 $T_A = -40\text{ }^{\circ}\text{C to }+85\text{ }^{\circ}\text{C}$

Parameter	Description	Test Conditions	Min	Typ	Max	Unit
V _{IL}	Low-level input voltage	V _{DD} = 4.5 V–5.5 V	–	–	0.8	V
		V _{DD} = 3.0 V–3.6 V	–	–	0.2 × V _{DD}	V
V _{IH}	High-level input voltage	V _{DD} = 4.5 V–5.5 V	2.0	–	–	V
		V _{DD} = 3.0 V–3.6 V	0.7 × V _{DD}	–	–	V
V _{OL}	Low-level output voltage	V _{DD} = 4.5 V–5.5 V, I _{OL} = 16 mA	–	–	0.4	V
		V _{DD} = 3.0 V–3.6 V, I _{OL} = 8 mA	–	–	0.4	V
V _{OHC} MOS	High-level output voltage, CMOS levels	V _{DD} = 4.5 V–5.5 V, I _{OH} = –16 mA	V _{DD} – 0.4	–	–	V
		V _{DD} = 3.0 V–3.6 V, I _{OH} = –8 mA	V _{DD} – 0.4	–	–	V
V _{OHT} TTL	High-level output voltage, TTL levels	V _{DD} = 4.5 V–5.5 V, I _{OH} = –8 mA	2.4	–	–	V
I _{IL}	Input low current	V _{IN} = 0 V	–	–	10	μA
I _{IH}	Input high current	V _{IN} = V _{DD}	–	–	5	μA
I _{DD}	Power supply current, Unloaded	V _{DD} = 4.5 V–5.5 V, output frequency ≤ 133 MHz	–	–	45	mA
		V _{DD} = 3.0 V–3.6 V, output frequency ≤ 100 MHz	–	–	25	mA
I _{DD} S ^[6]	Stand-by current (PD = 0)	V _{DD} = 4.5 V–5.5 V	–	25	100	μA
		V _{DD} = 3.0 V–3.6 V	–	10	50	μA
R _{UP}	Input pull-up resistor	V _{DD} = 4.5 V–5.5 V, V _{IN} = 0 V	1.1	3.0	8.0	MΩ
		V _{DD} = 4.5 V–5.5 V, V _{IN} = 0.7 × V _{DD}	50	100	200	kΩ
I _{OE_CLKOUT}	CLKOUT pull-down current	V _{DD} = 5.0 V	–	20	–	μA

Note

6. If external reference is used, it is required to stop the reference (set reference to LOW) during power-down.

Output Clock Switching Characteristics - Industrial

Over the Operating Range ^[7]

Parameter	Description	Test Conditions	Min	Typ	Max	Unit
t _{1w}	Output duty cycle at 1.4 V, V _{DD} = 4.5 V–5.5 V, t _{1w} = t _{1A} ÷ t _{1B}	1 MHz–40 MHz, C _L ≤ 35 pF	45	–	55	%
		40 MHz–125 MHz, C _L ≤ 15 pF	45	–	55	%
		125 MHz–133 MHz, C _L ≤ 10 pF	45	–	55	%
t _{1x}	Output duty cycle at V _{DD} /2, V _{DD} = 4.5 V–5.5 V, t _{1x} = t _{1A} ÷ t _{1B}	1 MHz–40 MHz, C _L ≤ 35 pF	45	–	55	%
		40 MHz–125 MHz, C _L ≤ 15 pF	45	–	55	%
		125 MHz–133 MHz, C _L ≤ 10 pF	45	–	55	%
t _{1y}	Output duty cycle at V _{DD} /2, V _{DD} = 3.0 V–3.6 V, t _{1y} = t _{1A} ÷ t _{1B}	1 MHz–40 MHz, C _L ≤ 20 pF	45	–	55	%
		40 MHz–100 MHz, C _L ≤ 10 pF	40	–	60	%
t ₂	Output clock rise time	Between 0.8 V–2.0 V, V _{DD} = 4.5 V–5.5 V, C _L = 35 pF	–	–	1.8	ns
		Between 0.8 V–2.0 V, V _{DD} = 4.5 V–5.5 V, C _L = 15 pF	–	–	1.2	ns
		Between 0.8 V–2.0 V, V _{DD} = 4.5 V–5.5 V, C _L = 10 pF	–	–	0.9	ns
		Between 0.2 × V _{DD} to 0.8 × V _{DD} , V _{DD} = 4.5 V–5.5 V, C _L = 35 pF	–	–	3.4	ns
		Between 0.2 × V _{DD} to 0.8 × V _{DD} , V _{DD} = 3.0 V–3.6 V, C _L = 20 pF	–	–	4.0	ns
		Between 0.2 × V _{DD} to 0.8 × V _{DD} , V _{DD} = 3.0 V–3.6 V, C _L = 10 pF	–	–	2.4	ns
t ₃	Output clock fall time	Between 0.8 V–2.0 V, V _{DD} = 4.5 V–5.5 V, C _L = 35 pF	–	–	1.8	ns
		Between 0.8 V–2.0 V, V _{DD} = 4.5 V–5.5 V, C _L = 15 pF	–	–	1.2	ns
		Between 0.8 V–2.0 V, V _{DD} = 4.5 V–5.5 V, C _L = 10 pF	–	–	0.9	ns
		Between 0.2 × V _{DD} to 0.8 × V _{DD} , V _{DD} = 4.5 V–5.5 V, C _L = 35 pF	–	–	3.4	ns
		Between 0.2 × V _{DD} to 0.8 × V _{DD} , V _{DD} = 3.0 V–3.6 V, C _L = 20 pF	–	–	4.0	ns
		Between 0.2 × V _{DD} to 0.8 × V _{DD} , V _{DD} = 3.0 V–3.6 V, C _L = 10 pF	–	–	2.4	ns
t ₄	Startup time out of Power-down	PWR_DWN pin LOW to HIGH ^[8]	–	1	2	ms
t _{5a}	Power-down delay time (synchronous setting)	PWR_DWN pin LOW to output LOW (T = period of output clk)	–	T/2	T + 10	ns
t _{5b}	Power-down delay time (asynchronous setting)	PWR_DWN pin LOW to output LOW	–	10	15	ns
t ₆	Power-up time	From power on ^[8]	–	1	2	ms

Notes

7. Not all parameters measured in production testing.

8. Oscillator start time can not be guaranteed for all crystal types. This specification is for operation with AT cut crystals with ESR < 70Ω.

Output Clock Switching Characteristics - Industrial (continued)

 Over the Operating Range ^[7]

Parameter	Description	Test Conditions	Min	Typ	Max	Unit
t _{7a}	Output Disable time (synchronous setting)	OE pin LOW to output high-Z (T = period of output clk)	–	T/2	T + 10	ns
t _{7b}	Output Disable time (asynchronous setting)	OE pin LOW to output high-Z	–	10	15	ns
t ₈	Output Enable time (always synchronous enable)	OE pin LOW to HIGH (T = period of output clk)	–	T	(1.5 × T) + 25	ns
t ₉	Peak-to-peak period jitter	V _{DD} = 3.0 V–3.6 V, 4.5 V–5.5 V, Fo > 33 MHz, V _{CO} > 100 MHz	–	80	150	ps
		V _{DD} = 3.0 V – 5.5 V, Fo < 33 MHz	–	0.3%	1%	% of F _O

Switching Waveforms

Figure 2. Duty Cycle Timing (t_{1w} , t_{1x} , t_{1y})

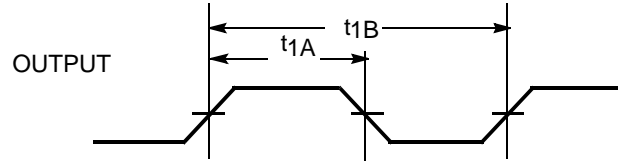


Figure 3. Output Rise/Fall Time

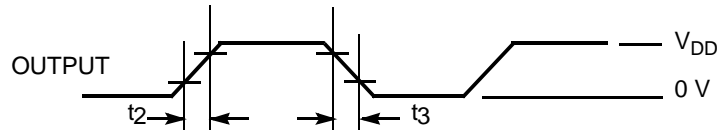


Figure 4. Power-down Timing (synchronous and asynchronous modes)

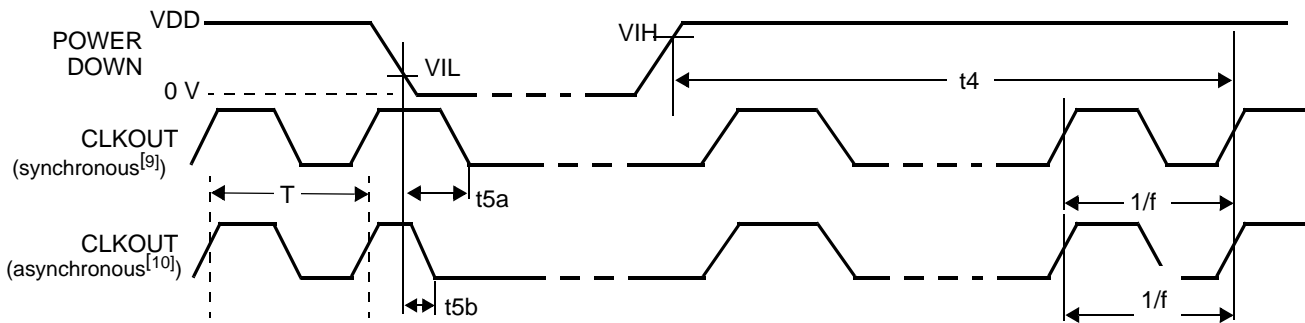


Figure 5. Power-up Timing

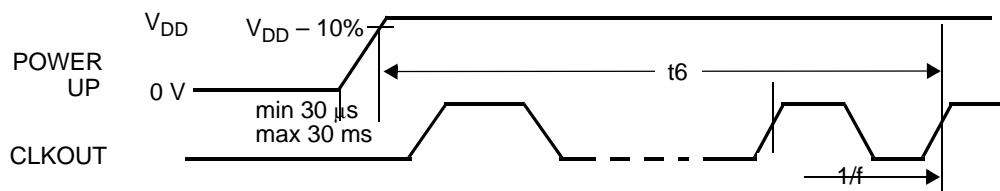
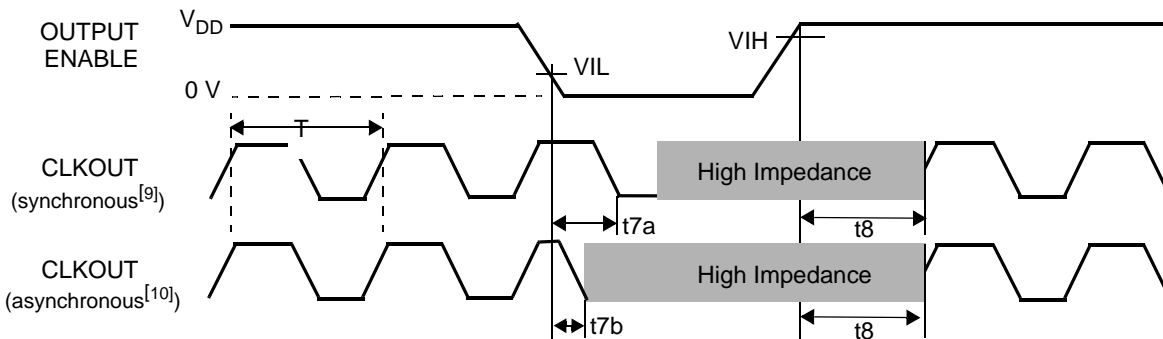


Figure 6. Output Enable Timing (synchronous and asynchronous modes)



Notes

- 9. In synchronous mode, the power-down or output three-state is not initiated until the next falling edge of the output clock.
- 10. In asynchronous mode, the power-down or output three-state occurs within 25 ns regardless of position in the output clock cycle.

Typical Rise/Fall Time Trends

For CY2077 [11]

Figure 7. Rise/Fall Time vs. VDD over Temperatures

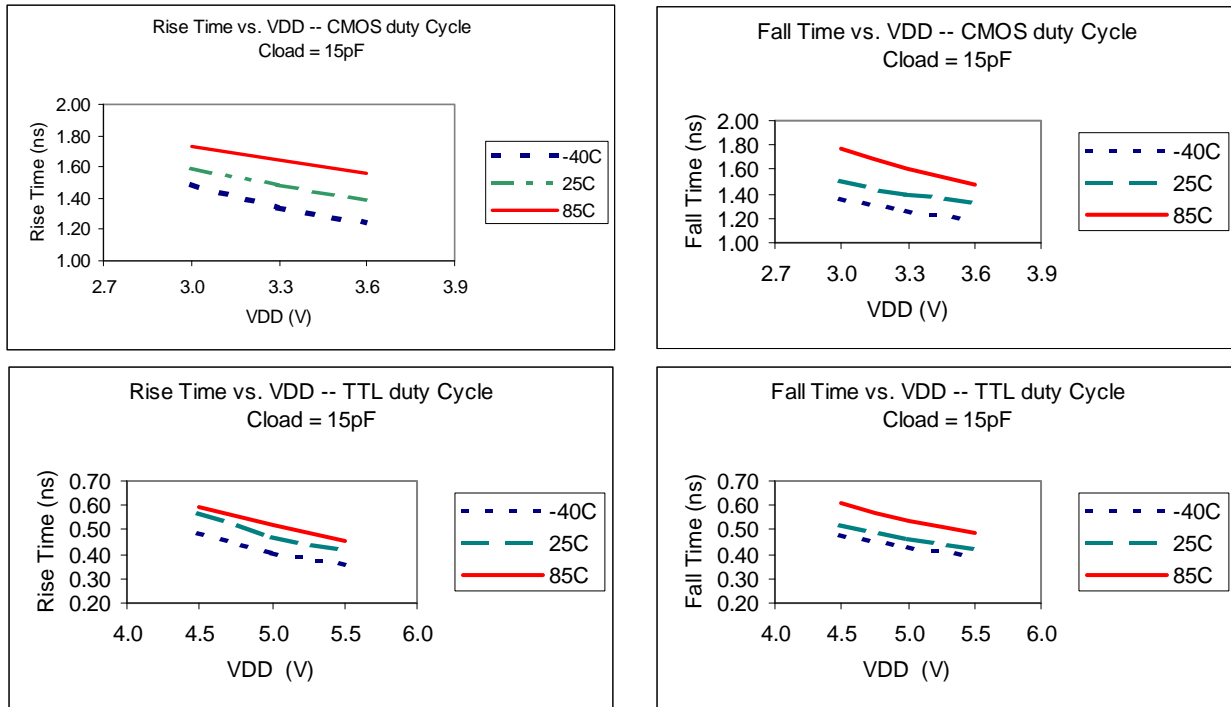
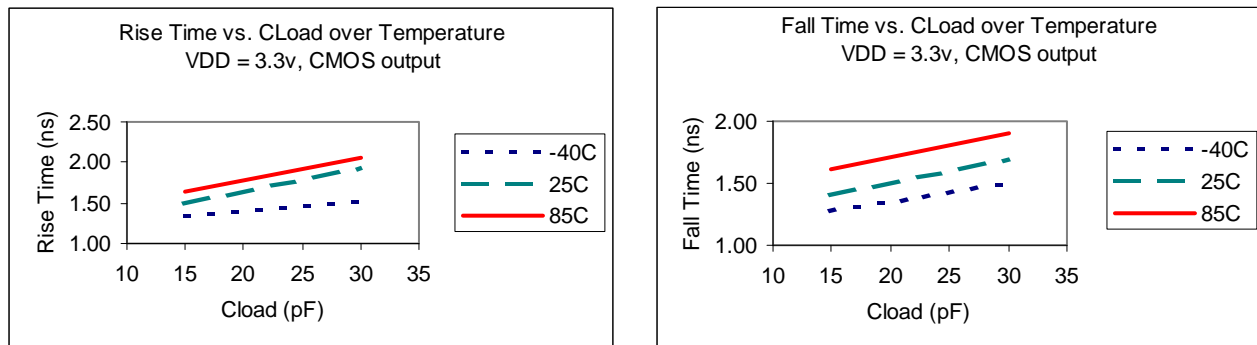


Figure 8. Rise/Fall Time vs. Output Loads over Temperatures



Note

11. Rise/Fall time for CMOS output is measured between $1.2 V_{DD}$ and $0.8 \times V_{DD}$. Rise/Fall time for TTL output is measured between 0.8 V and 2.0 V.

Typical Duty Cycle Trends

For CY2077 [12]

Figure 9. Duty Cycle vs. V_{DD} over Temperatures

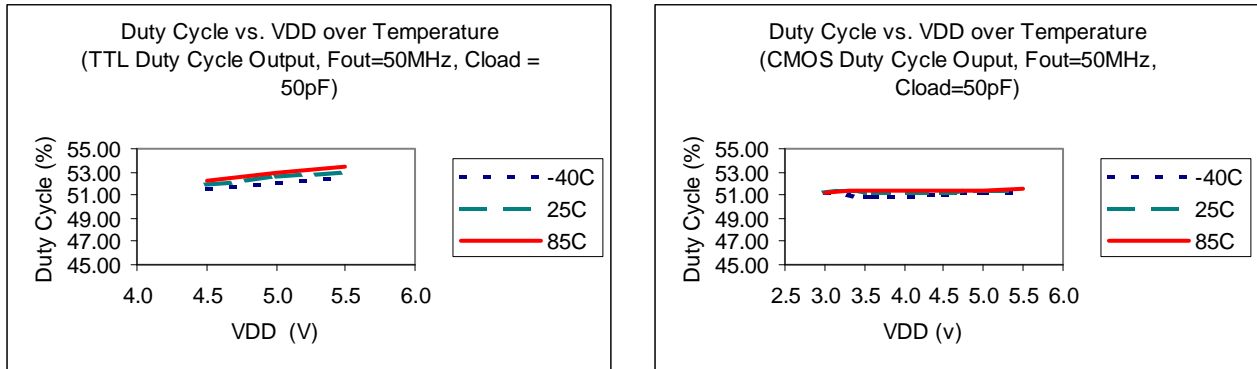


Figure 10. Duty Cycle vs. Output Load

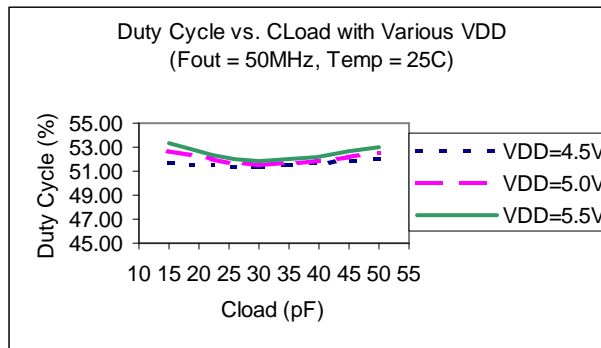
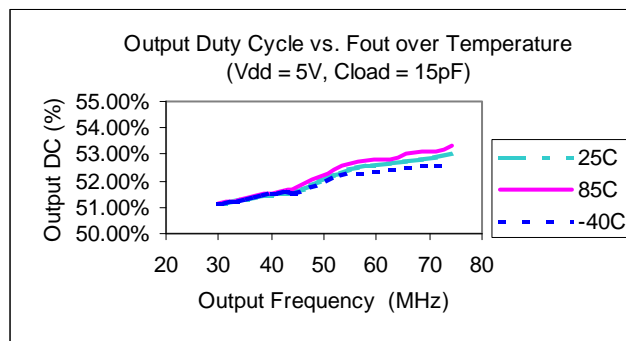


Figure 11. Duty Cycle vs. Output Frequency over Temperatures



Note

12. Duty cycle is measured at 1.4 V for TTL output and $0.5 \times V_{DD}$ for CMOS output.

Typical Jitter Trends

For CY2077

Figure 12. Period Jitter (pk-pk) vs. V_{DD} over Temperatures

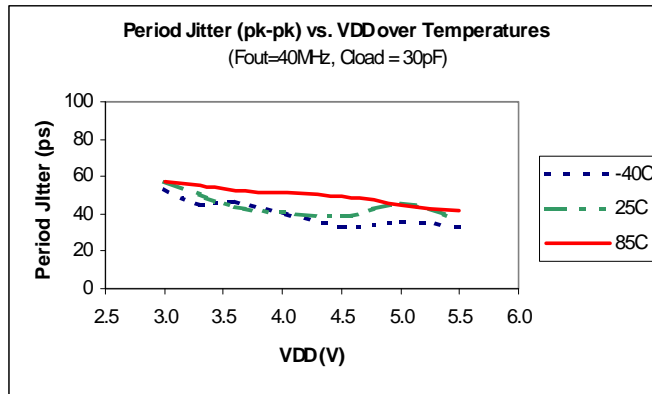
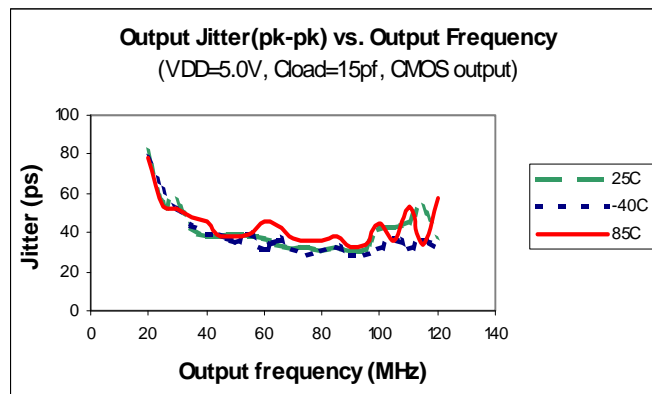
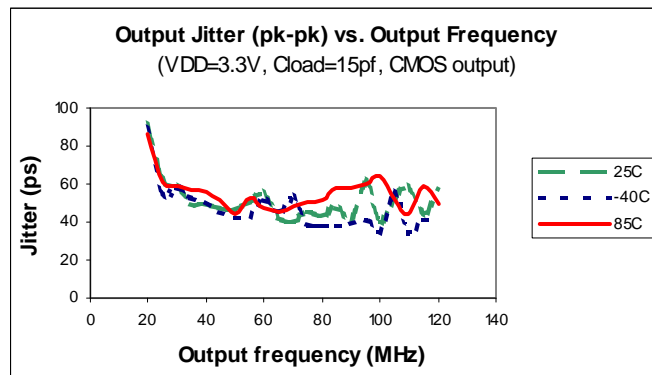


Figure 13. Period Jitter (pk-pk) vs. Output Frequency over Temperatures



Programming Procedures

Currently the CY2077 is available only as a field-programmable device, as indicated by an “F” in the ordering code.

Devices may be programmed using the [CY3672-USB](#) programmer, or through programmers available from third party programmer manufacturers such as Hi-Lo Systems and BP Micro. Programming services are also available from third parties, including some Cypress distribution partners.

To generate a JEDEC format programming file, customers must use CyClocks software. This software automatically calculates

the output frequencies that can be generated by CY2077 devices. The CyClocks software is a subset of the larger software tool CyberClocks, which is available free of charge from the Cypress web site (<http://www.cypress.com>). CyberClocks is installed on a PC and must not be confused with the web-based application CyberClocks Online.

For high volume designs, factory programming of customer-specific configurations is available on other 8-pin devices such as the CY22180, CY22801 and CY22381. Factory programming is no longer offered for new designs using the CY2077.

Ordering Information

Ordering Code ^[14]	Package Name	Package Type	Operating Temperature Range	Operating Voltage
Pb-Free				
CY2077FSXC	S8	8-pin SOIC	Commercial (T = 0 °C to 70 °C)	3.3 V or 5 V
CY2077FSXCT	S8	8-pin SOIC –Tape and Reel	Commercial (T = 0 °C to 70 °C)	3.3 V or 5 V
CY2077FZZ	Z8	8-pin TSSOP	Commercial (T = 0 °C to 70 °C)	3.3 V or 5 V
CY2077FZXI	Z8	8-pin TSSOP	Industrial (T = –40 °C to 85 °C)	3.3 V or 5 V
CY2077FZXIT	Z8	8-pin TSSOP –Tape and Reel	Industrial (T = –40 °C to 85 °C)	3.3 V or 5 V
Programmer				
CY3672-USB	Programming Kit			
CY3696	Socket adapter board, for programming CY2077FS (SOIC Package)			
CY3697	Socket adapter board, for programming CY2077FZ (TSSOP Package)			

Table 3. Obsolete or Not For New Designs

Original Device		Replacement Device	
Ordering Code ^[13, 14]	Description	Ordering Code	Description
CY2077SC-xxx		none	
CY2077SC-xxxT		none	
CY2077SI-xxx		none	
CY2077SI-xxxT		none	
CY2077SXC-xxx		none	
CY2077SXC-xxxT		none	
CY2077ZC-xxx		none	
CY2077ZC-xxxT		none	
CY2077ZI-xxx		none	
CY2077ZI-xxxT		none	
CY2077ZXC-xxx		none	
CY2077ZXC-xxxT		none	
CY2077FSI	SOIC, Industrial (T = –40 °C to 85 °C)	CY2077FSXC	Pb-free SOIC, Commercial
CY2077FZ	TSSOP, Commercial (T = 0 °C to 70 °C)	CY2077FZZ	Pb-free TSSOP, Commercial
CY2077FZI	TSSOP, Industrial (T = –40 °C to 85 °C)	CY2077FZXI	Pb-free TSSOP, Industrial

Notes

13. The CY2077SC-xxx(T), CY2077SI-xxx(T), CY2077SXC-xxx(T), CY2077ZC-xxx(T), CY2077ZI-xxx(T) and CY2077ZXC-xxx(T), are factory programmed configurations. Factory programming is available for high-volume design opportunities. For more details, contact your local Cypress FAE or Cypress Sales Representative.

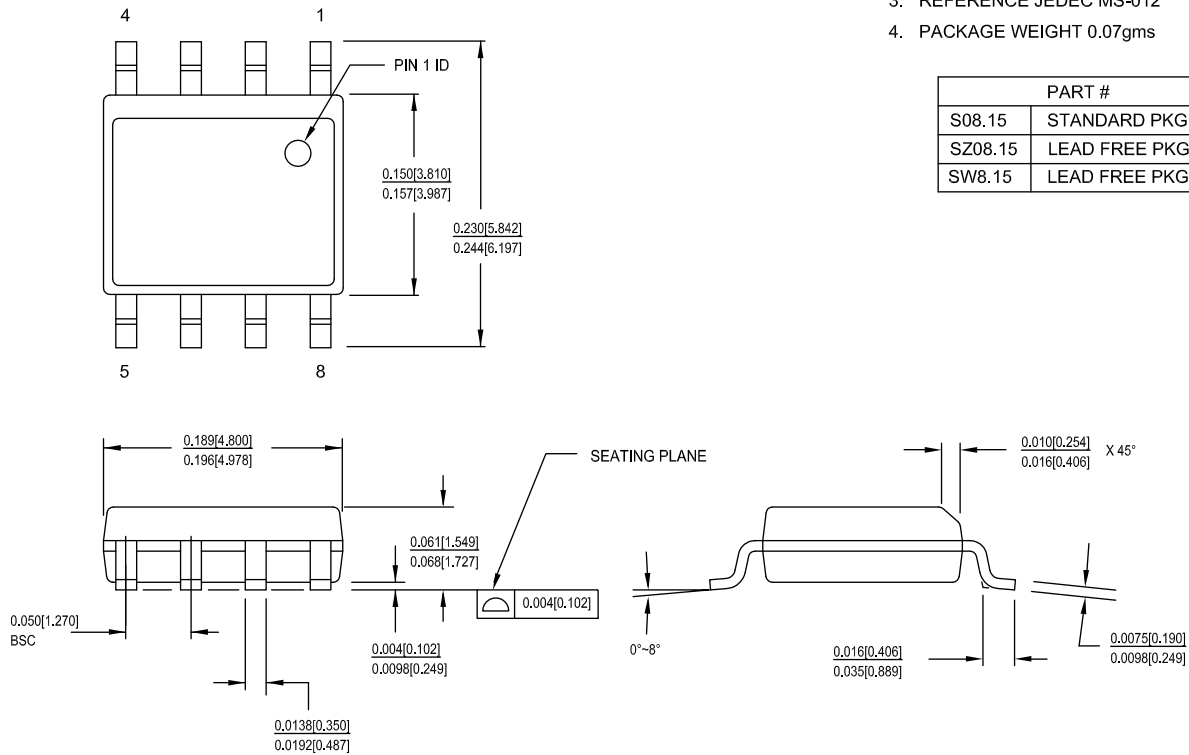
14. The CY2077F are field programmable. For more details, contact your local Cypress FAE or Cypress Sales Representative.

Package Diagrams

Figure 14. 8-pin SOIC (150 Mils) Package Outline, 51-85066

1. DIMENSIONS IN INCHES[MM] MIN.
MAX.
2. PIN 1 ID IS OPTIONAL,
ROUND ON SINGLE LEADFRAME
RECTANGULAR ON MATRIX LEADFRAME
3. REFERENCE JEDEC MS-012
4. PACKAGE WEIGHT 0.07gms

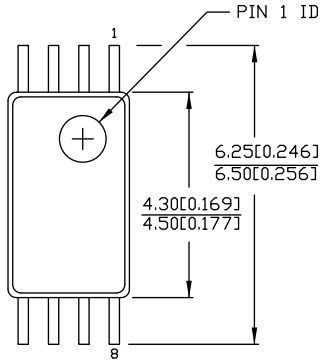
PART #	
S08.15	STANDARD PKG
SZ08.15	LEAD FREE PKG
SW8.15	LEAD FREE PKG



51-85066 *H

Package Diagrams (continued)

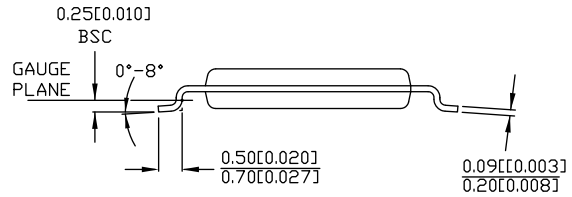
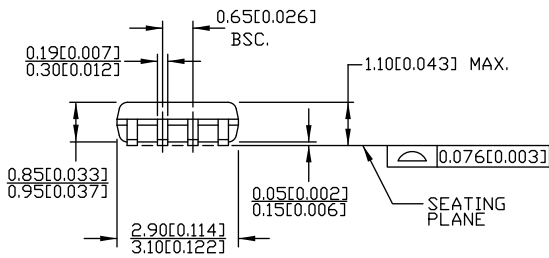
Figure 15. 8-pin TSSOP (4.40 mm Body) Package Outline, 51-85093



DIMENSIONS IN MM[INCHES] MIN.
MAX.

REFERENCE JEDEC MO-153

PART #	
Z08.173	STANDARD PKG.
ZZ08.173	LEAD FREE PKG.



51-85093 *E

Document History Page

Document Title: CY2077, High-Accuracy One-Time Programmable Single-PLL Clock Generator Document Number: 38-07210				
Revision	ECN	Orig. of Change	Submission Date	Description of Change
**	111727	DSG	02/07/02	Convert from Spec number: 38-01009 to 38-07210
*A	114938	CKN	07/24/02	Added table and notes to page 11
*B	121843	RBI	12/14/02	Power up requirements added to Operating Conditions Information
*C	2104546	PYG / KVM / AESA	See ECN	Updated Ordering Information table Replaced the "Custom Configuration Request Procedure" section with "Programming Procedures" Updated package diagrams
*D	2631183	KVM / AESA	01/06/09	CY2077FS removed from the active part number table. Added CY2077FZXI and CY2077FZXIT to the Ordering Information table. Corrected wording on p. 2 about when the weak output pull-down is active. Added to Table 1 to indicate that PWR_DWN is active low and OE is active high. Updated to new template.
*E	2905892	CXQ	04/07/10	Updated Ordering Information : Updated Table 3 : Removed inactive part CY2077FS. Updated Package Diagrams : spec 51-85066 – Changed revision from *C to *D. spec 51-85093 – Changed revision from *A to *B.
*F	3388539	MNSB / PURU	09/29/11	Updated Programming Procedures : Replaced "CY3670" with "CY3672-USB". Updated Ordering Information : Updated part numbers. Updated Package Diagrams : spec 51-85066 – Changed revision from *D to *E. spec 51-85093 – Changed revision from *B to *C.
*G	3514611	PURU	02/01/2012	Removed Benefits. Updated Package Diagrams : spec 51-85093 – Changed revision from *C to *D.
*H	4575273	PURU	11/20/2014	Updated Functional Description : Added "For a complete list of related documentation, click here ." at the end. Updated Package Diagrams : spec 51-85066 – Changed revision from *E to *F. spec 51-85093 – Changed revision from *D to *E.
*I	4694396	TAVA	03/20/2015	Updated Package Diagrams : spec 51-85066 – Changed revision from *F to *G. Updated to new template.
*J	5766130	PSR	06/07/2017	Updated Document Title to read as "CY2077, High-Accuracy One-Time Programmable Single-PLL Clock Generator". Replaced "EPROM Programmable" with "One-time Programmable" in all instances across the document. Replaced "EPROM" with "PROM" in all instances across the document. Updated Logic Block Diagram . Updated Package Diagrams : spec 51-85066 – Changed revision from *G to *H. Updated to new template.

Sales, Solutions, and Legal Information

Worldwide Sales and Design Support

Cypress maintains a worldwide network of offices, solution centers, manufacturer's representatives, and distributors. To find the office closest to you, visit us at [Cypress Locations](#).

Products

ARM® Cortex® Microcontrollers	cypress.com/arm
Automotive	cypress.com/automotive
Clocks & Buffers	cypress.com/clocks
Interface	cypress.com/interface
Internet of Things	cypress.com/iot
Memory	cypress.com/memory
Microcontrollers	cypress.com/mcu
PSoC	cypress.com/psoc
Power Management ICs	cypress.com/pmic
Touch Sensing	cypress.com/touch
USB Controllers	cypress.com/usb
Wireless Connectivity	cypress.com/wireless

PSoC® Solutions

[PSoC 1](#) | [PSoC 3](#) | [PSoC 4](#) | [PSoC 5LP](#)

Cypress Developer Community

[Forums](#) | [WICED IOT Forums](#) | [Projects](#) | [Video](#) | [Blogs](#) | [Training](#) | [Components](#)

Technical Support

cypress.com/support

© Cypress Semiconductor Corporation, 2002–2017. This document is the property of Cypress Semiconductor Corporation and its subsidiaries, including Spansion LLC ("Cypress"). This document, including any software or firmware included or referenced in this document ("Software"), is owned by Cypress under the intellectual property laws and treaties of the United States and other countries worldwide. Cypress reserves all rights under such laws and treaties and does not, except as specifically stated in this paragraph, grant any license under its patents, copyrights, trademarks, or other intellectual property rights. If the Software is not accompanied by a license agreement and you do not otherwise have a written agreement with Cypress governing the use of the Software, then Cypress hereby grants you a personal, non-exclusive, nontransferable license (without the right to sublicense) (1) under its copyright rights in the Software (a) for Software provided in source code form, to modify and reproduce the Software solely for use with Cypress hardware products, only internally within your organization, and (b) to distribute the Software in binary code form externally to end users (either directly or indirectly through resellers and distributors), solely for use on Cypress hardware product units, and (2) under those claims of Cypress's patents that are infringed by the Software (as provided by Cypress, unmodified) to make, use, distribute, and import the Software solely for use with Cypress hardware products. Any other use, reproduction, modification, translation, or compilation of the Software is prohibited.

TO THE EXTENT PERMITTED BY APPLICABLE LAW, CYPRESS MAKES NO WARRANTY OF ANY KIND, EXPRESS OR IMPLIED, WITH REGARD TO THIS DOCUMENT OR ANY SOFTWARE OR ACCOMPANYING HARDWARE, INCLUDING, BUT NOT LIMITED TO, THE IMPLIED WARRANTIES OF MERCHANTABILITY AND FITNESS FOR A PARTICULAR PURPOSE. To the extent permitted by applicable law, Cypress reserves the right to make changes to this document without further notice. Cypress does not assume any liability arising out of the application or use of any product or circuit described in this document. Any information provided in this document, including any sample design information or programming code, is provided only for reference purposes. It is the responsibility of the user of this document to properly design, program, and test the functionality and safety of any application made of this information and any resulting product. Cypress products are not designed, intended, or authorized for use as critical components in systems designed or intended for the operation of weapons, weapons systems, nuclear installations, life-support devices or systems, other medical devices or systems (including resuscitation equipment and surgical implants), pollution control or hazardous substances management, or other uses where the failure of the device or system could cause personal injury, death, or property damage ("Unintended Uses"). A critical component is any component of a device or system whose failure to perform can be reasonably expected to cause the failure of the device or system, or to affect its safety or effectiveness. Cypress is not liable, in whole or in part, and you shall and hereby do release Cypress from any claim, damage, or other liability arising from or related to all Unintended Uses of Cypress products. You shall indemnify and hold Cypress harmless from and against all claims, costs, damages, and other liabilities, including claims for personal injury or death, arising from or related to any Unintended Uses of Cypress products.

Cypress, the Cypress logo, Spansion, the Spansion logo, and combinations thereof, WICED, PSoC, CapSense, EZ-USB, F-RAM, and Traveo are trademarks or registered trademarks of Cypress in the United States and other countries. For a more complete list of Cypress trademarks, visit cypress.com. Other names and brands may be claimed as property of their respective owners.