

# SMD Inductors(Coils) For Power Line(Wound)

Conformity to RoHS Directive

## VLP Series VLP4610

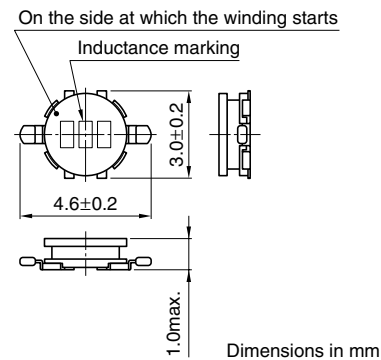
### FEATURES

- Miniature size  
Mount area: 3.4×4.6mm  
Low profile: 1.0mm max. height
- Generic use for portable DC to DC converter line
- High rated DC current
- Non-ferrite shielded component
- Available for automatic mounting in tape and reel package.
- The products do not contain lead and support lead-free soldering.

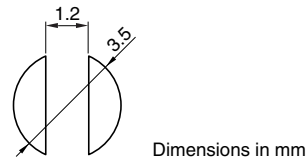
### APPLICATIONS

- DC to DC converters for TFT, LCD, LCD TV, PDA
- DC to DC converters for mobile phone, LCD driver circuit, etc.

### SHAPES AND DIMENSIONS



### RECOMMENDED PC BOARD PATTERN



### ELECTRICAL CHARACTERISTICS

Part No.	Inductance (μH)	Inductance tolerance(%)	Test frequency (kHz)	DC resistance (Ω)max.	Rated current(A)*	
					Based on inductance change max.	Based on temperature rise typ.
VLP4610T-1R8M1R0	1.8	±20	100	0.14	1.36	1.09
VLP4610T-2R7MR87	2.7	±20	100	0.22	1.09	0.87
VLP4610T-4R7MR66	4.7	±20	100	0.38	0.83	0.66
VLP4610T-6R8MR55	6.8	±20	100	0.55	0.69	0.55
VLP4610T-100MR46	10.0	±20	100	0.80	0.58	0.46
VLP4610T-150MR38	15.0	±20	100	1.14	0.48	0.38

\* Rated current: Value obtained when current flows and the temperature has risen to 40°C or when DC current flows and the nominal value of inductance has fallen by 10%, whichever is smaller.

• Conformity to RoHS Directive: This means that, in conformity with EU Directive 2002/95/EC, lead, cadmium, mercury, hexavalent chromium, and specific bromine-based flame retardants, PBB and PBDE, have not been used, except for exempted applications.

• All specifications are subject to change without notice.