

### FEATURES

- Precision 1.200 V Voltage Reference
- Ultracompact 3 mm × 3 mm SOT-23 Package
- No External Capacitor Required
- Low Output Noise: 4 μV p-p (0.1 Hz to 10 Hz)
- Initial Accuracy: ±0.3% Max
- Temperature Coefficient: 60 ppm/°C Max
- Operating Current Range: 100 μA to 10 mA
- Output Impedance: 0.3 Ω Max
- Temperature Range: -40°C to +85°C

### APPLICATIONS

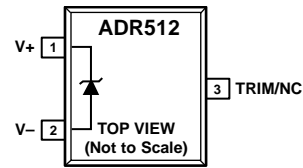
- Precision Data Acquisition Systems
- Battery-Powered Equipment:
  - Cellular Phone, Notebook Computer, PDA, and GPS
- 3 V/5 V, 8-/12-Bit Data Converters
- Portable Medical Instruments
- Industrial Process Control Systems
- Precision Instruments

### GENERAL DESCRIPTION

Designed for space critical applications, the ADR512 is a low voltage (1.200 V), precision shunt-mode voltage reference in the ultracompact (3 mm × 3 mm) SOT-23 package. The ADR512 features low temperature drift (60 ppm/°C), high accuracy (±0.30%), and ultralow noise (4 μV p-p) performance.

The ADR512's advanced design eliminates the need for an external capacitor, yet it is stable with any capacitive load. The minimum operating current increases from a scant 100 μA to a

### PIN CONFIGURATION



NC = NO CONNECT. DO NOT CONNECT TO THIS PIN.

Figure 1. 3-Lead SOT-23

Table 1.

Model	Output Voltage (V <sub>o</sub> )	Initial Accuracy		Temperature Coefficient (ppm/°C)
		(mV)	(%)	
ADR512ARTZ-REEL7	1.200	3.5	0.3	60

maximum of 10 mA. This low operating current and ease of use make the ADR512 ideally suited for handheld battery-powered applications.

A TRIM terminal is available on the ADR512 to provide adjustment of the output voltage over ±0.5% without affecting the temperature coefficient of the device. This feature provides users with the flexibility to trim out any system errors.

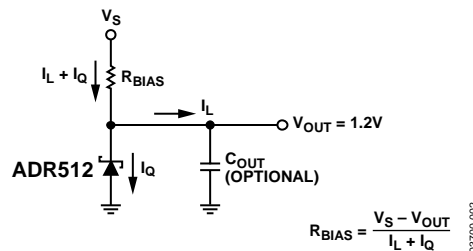


Figure 2. Typical Operating Circuit

Rev. A

[Document Feedback](#)

Information furnished by Analog Devices is believed to be accurate and reliable. However, no responsibility is assumed by Analog Devices for its use, nor for any infringements of patents or other rights of third parties that may result from its use. Specifications subject to change without notice. No license is granted by implication or otherwise under any patent or patent rights of Analog Devices. Trademarks and registered trademarks are the property of their respective owners.

One Technology Way, P.O. Box 9106, Norwood, MA 02062-9106, U.S.A.  
 Tel: 781.329.4700 ©2003–2012 Analog Devices, Inc. All rights reserved.  
[Technical Support](#) [www.analog.com](http://www.analog.com)

# ADR512\* PRODUCT PAGE QUICK LINKS

Last Content Update: 02/23/2017

---

## COMPARABLE PARTS

View a parametric search of comparable parts.

## DOCUMENTATION

### Application Notes

- AN-713: The Effect of Long-Term Drift on Voltage References

### Data Sheet

- ADR512: 1.2 V Precision Low Noise Shunt Voltage Reference Data Sheet
- ADR512W: 1.2 V Precision Low Noise Shunt Voltage Reference Data Sheet

## DESIGN RESOURCES

- ADR512 Material Declaration
- PCN-PDN Information
- Quality And Reliability
- Symbols and Footprints

## DISCUSSIONS

View all ADR512 EngineerZone Discussions.

## SAMPLE AND BUY

Visit the product page to see pricing options.

## TECHNICAL SUPPORT

Submit a technical question or find your regional support number.

## DOCUMENT FEEDBACK

Submit feedback for this data sheet.

---

This page is dynamically generated by Analog Devices, Inc., and inserted into this data sheet. A dynamic change to the content on this page will not trigger a change to either the revision number or the content of the product data sheet. This dynamic page may be frequently modified.

**TABLE OF CONTENTS**

Features .....	1	Parameter Definitions.....	7
Applications.....	1	Temperature Coefficient.....	7
Pin Configuration.....	1	Thermal Hysteresis .....	7
General Description .....	1	Applications Section.....	8
Revision History .....	2	Adjustable Precision Voltage Source .....	8
Specifications.....	3	Output Voltage Trim .....	8
Electrical Characteristics .....	3	Using the ADR512 with Precision Data Converters .....	8
Absolute Maximum Ratings.....	4	Precise Negative Voltage Reference .....	9
Thermal Resistance .....	4	Outline Dimensions .....	10
ESD Caution.....	4	Ordering Guide .....	10
Typical Performance Characteristics .....	5		

**REVISION HISTORY**

**11/12—Rev. 0 to Rev. A**

Changes to Table 1 .....	1
Updated Outline Dimensions .....	10
Changes to Ordering Guide .....	10

## SPECIFICATIONS

### ELECTRICAL CHARACTERISTICS

$I_{IN} = 100 \mu\text{A}$  to  $10 \text{ mA}$  @  $T_A = 25^\circ\text{C}$ , unless otherwise noted.

Table 2.

Parameter	Symbol	Test Conditions / Comments	Min	Typ	Max	Unit
Output Voltage <sup>1</sup>	$V_O$		1.1965	1.2	1.2035	V
Initial Accuracy	$V_{OERR}$		-3.5		+3.5	mV
	$T_{OERR\%}$		-0.3		+0.3	%
Temperature Coefficient A Grade	$TCV_O$	$-40^\circ\text{C} < T_A < +85^\circ\text{C}$			60	ppm/ $^\circ\text{C}$
Output Voltage Change vs. $I_{IN}$	$\Delta V_R$	$I_{IN} = 0.1 \text{ mA}$ to $10 \text{ mA}$			3	mV
Dynamic Output Impedance	$(\Delta V_R / \Delta I_R)$	$I_{IN} = 1 \text{ mA} \pm 100 \mu\text{A}$			0.3	$\Omega$
Minimum Operating Current	$I_{IN}$	$-40^\circ\text{C} < T_A < +85^\circ\text{C}$	100			$\mu\text{A}$
Voltage Noise	$e_N$ p-p	$f = 0.1 \text{ Hz}$ to $10 \text{ Hz}$		4		$\mu\text{V}$ p-p
Turn-On Settling Time <sup>2</sup>	$t_R$	To within 0.1% of Output		10		$\mu\text{s}$
Output Voltage Hysteresis	$V_{O\_HYS}$			50		ppm

<sup>1</sup> The forward diode voltage characteristic at  $-1 \text{ mA}$  is typically  $0.65 \text{ V}$ .

<sup>2</sup> Measured without a load capacitor.

## ABSOLUTE MAXIMUM RATINGS

Table 3.

Parameter	Rating
Reverse Current	25 mA
Forward Current	20 mA
Storage Temperature Range	
RT Package	-65°C to +150°C
Operating Temperature Range	-40°C to +85°C
Junction Temperature Range	
RT Package	-65°C to +150°C
Lead Temperature Range (Soldering, 60 Sec)	300°C

Stresses above those listed under Absolute Maximum Ratings may cause permanent damage to the device. This is a stress rating only; functional operation of the device at these or any other conditions above those indicated in the operational section of this specification is not implied. Exposure to absolute maximum rating conditions for extended periods may affect device reliability.

## THERMAL RESISTANCE

$\theta_{JA}$  is specified for the worst-case conditions, that is, a device soldered in a circuit board for surface-mount packages.

Table 4. Thermal Resistance

Package Type <sup>1</sup>	$\theta_{JA}$ <sup>2</sup>	$\theta_{JC}$	Unit
3-SOT-23 (RT)	230	146	°C/W

<sup>1</sup>Package power dissipation =  $(T_{JMAX} - T_A)/\theta_{JA}$ .

<sup>2</sup> $\theta_{JA}$  is specified for worst-case conditions, i.e.,  $\theta_{JA}$  is specified for device soldered.

## ESD CAUTION



**ESD (electrostatic discharge) sensitive device.** Charged devices and circuit boards can discharge without detection. Although this product features patented or proprietary protection circuitry, damage may occur on devices subjected to high energy ESD. Therefore, proper ESD precautions should be taken to avoid performance degradation or loss of functionality.

### TYPICAL PERFORMANCE CHARACTERISTICS

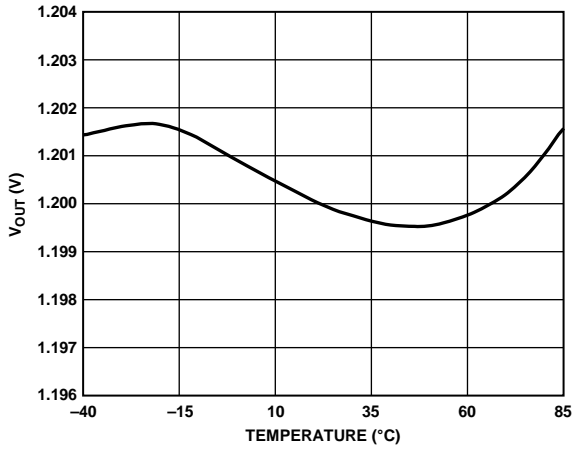


Figure 3. Typical  $V_{OUT}$  vs. Temperature

03700-003

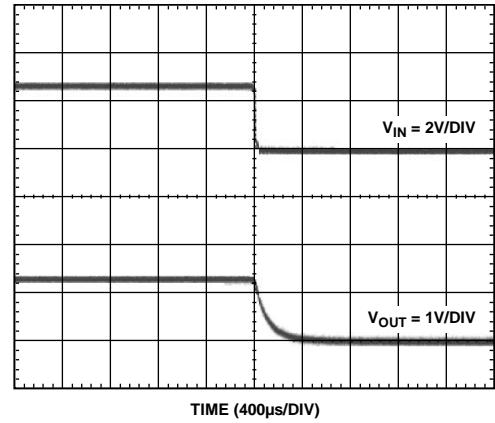


Figure 6. Turn Off Time

03700-006

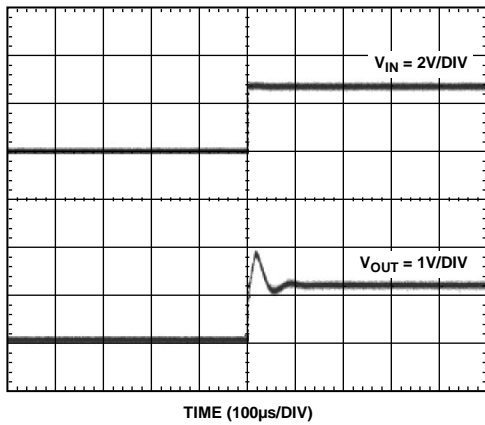


Figure 4. Turn On Time

03700-004

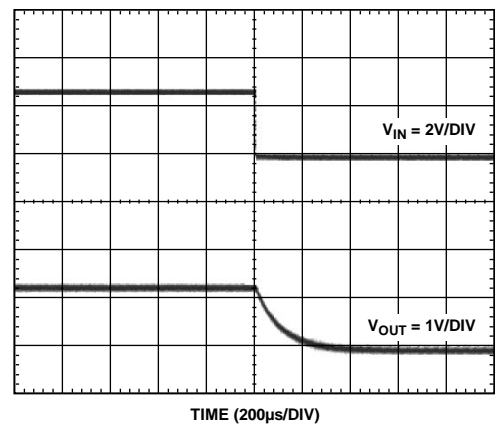


Figure 7. Turn Off Time with 1  $\mu$ F Input Capacitor

03700-007

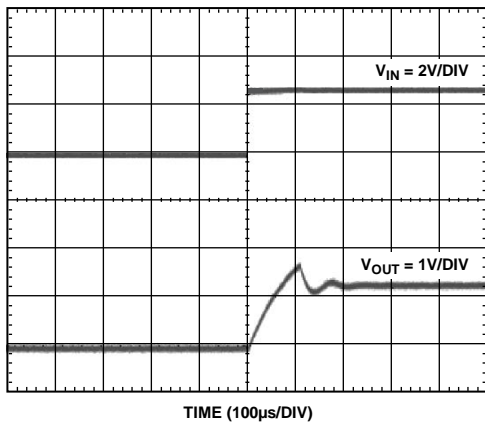


Figure 5. Turn On Time with 1  $\mu$ F Input Capacitor

03700-005

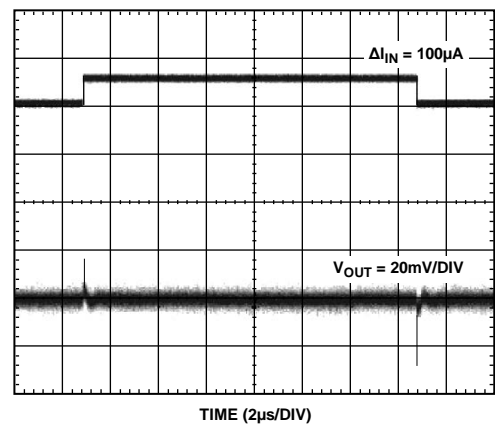


Figure 8. Output Response to 100  $\mu$ A Input Current Change

03700-008

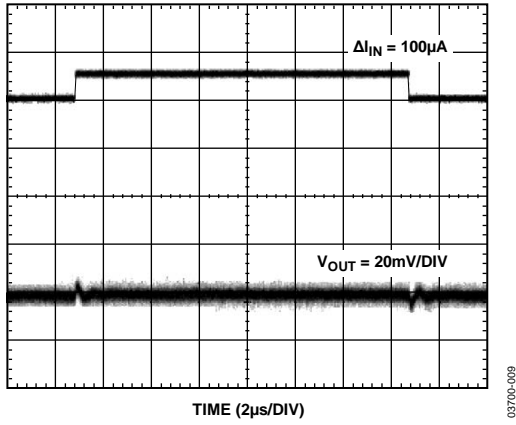


Figure 9. Output Response to 100  $\mu$ A Input Current Change With 1  $\mu$ F Capacitor

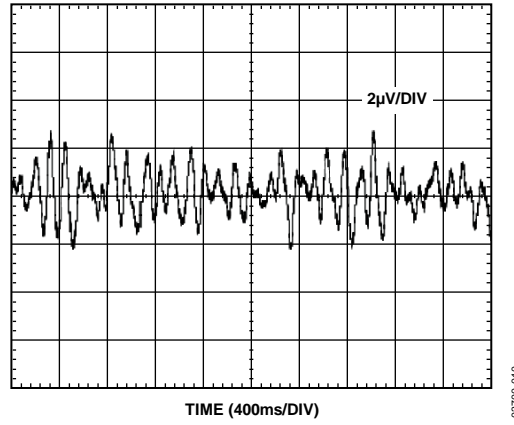


Figure 10. 1 Hz to 10 Hz Noise

## PARAMETER DEFINITIONS

### TEMPERATURE COEFFICIENT

This is the change of output voltage with respect to operating temperature changes, normalized by the output voltage at 25°C. This parameter is expressed in ppm/°C and can be determined with the following equation:

$$TCV_o \left[ \frac{ppm}{^\circ C} \right] = \frac{V_o(T_2) - V_o(T_1)}{V_o(25^\circ C) \times (T_2 - T_1)} \times 10^6 \quad (1)$$

where:

$V_o(25^\circ C) = V_o$  at 25°C

$V_o(T_1) = V_o$  at Temperature 1

$V_o(T_2) = V_o$  at Temperature 2

### THERMAL HYSTERESIS

Thermal hysteresis is defined as the change of output voltage after the device is cycled through the temperature from +25°C to -40°C to +85°C and back to +25°C. This is a typical value from a sample of parts put through such a cycle.

$$V_{o\_HYS} = V_o(25^\circ C) - V_{o\_TC} \quad (2)$$

$$V_{o\_HYS} [ppm] = \frac{V_o(25^\circ C) - V_{o\_TC}}{V_o(25^\circ C)} \times 10^6$$

where:

$V_o(25^\circ C) = V_o$  at 25°C

$V_{o\_TC} = V_o$  at 25°C after temperature cycle at +25°C to -40°C to +85°C and back to +25°C



## APPLICATIONS SECTION

The ADR512 is a 1.2 V precision shunt voltage reference. It is designed to operate without an external output capacitor between the positive and negative terminals for stability. An external capacitor can be used for additional filtering of the supply.

As with all shunt voltage references, an external bias resistor ( $R_{BIAS}$ ) is required between the supply voltage and the ADR512 (see Figure 2).  $R_{BIAS}$  sets the current that is required to pass through the load ( $I_L$ ) and the ADR512 ( $I_Q$ ). The load and the supply voltage can vary, thus  $R_{BIAS}$  is chosen based on

- $R_{BIAS}$  must be small enough to supply the minimum  $I_Q$  current to the ADR512 even when the supply voltage is at its minimum and the load current is at its maximum value.
- $R_{BIAS}$  also needs to be large enough so that  $I_Q$  does not exceed 10 mA when the supply voltage is at its maximum and the load current is at its minimum.

Given these conditions,  $R_{BIAS}$  is determined by the supply voltage ( $V_S$ ), the load and operating current ( $I_L$  and  $I_Q$ ) of the ADR512, and the ADR512's output voltage.

$$R_{BIAS} = (V_S - V_{OUT}) / (I_L + I_Q) \tag{3}$$

### ADJUSTABLE PRECISION VOLTAGE SOURCE

The ADR512, combined with a precision low input bias op amp such as the AD8610, can be used to output a precise adjustable voltage. Figure 11 illustrates the implementation of this application using the ADR512.

The output of the op amp,  $V_{OUT}$ , is determined by the gain of the circuit, which is completely dependent on resistors  $R_2$  and  $R_1$ .

$$V_{OUT} = 1 + \frac{R_2}{R_1} \tag{4}$$

An additional capacitor in parallel with  $R_2$  can be added to filter out high frequency noise. The value of  $C_2$  is dependent on the value of  $R_2$ .

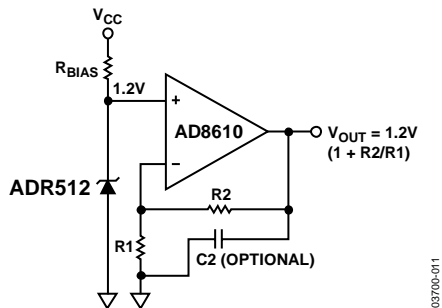


Figure 11. Adjustable Precision Voltage Source

### OUTPUT VOLTAGE TRIM

Using a mechanical or digital potentiometer, the output voltage of the ADR512 can be trimmed  $\pm 0.5\%$ . The circuit in Figure 12 illustrates how the output voltage can be trimmed, using a 10 k $\Omega$  potentiometer.

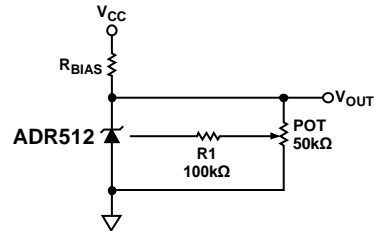


Figure 12. Output Voltage Trim

### USING THE ADR512 WITH PRECISION DATA CONVERTERS

The compact ADR512 package and the device's low minimum operating current requirement make it ideal for use in battery powered portable instruments, such as the AD7533 CMOS multiplying DAC, that use precision data converters.

Figure 13 shows the ADR512 serving as an external reference to the AD7533, a CMOS multiplying DAC. Such a DAC requires a negative voltage input in order to provide a positive output range. In this application, the ADR512 is supplying a  $-1.2$  V reference to the REF input of the AD7533.

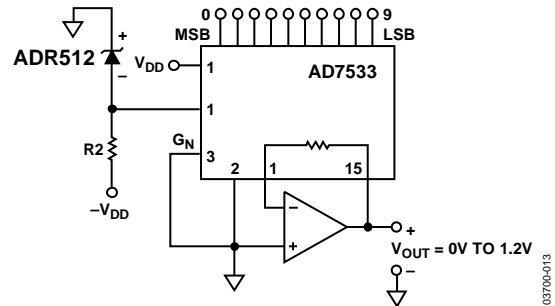


Figure 13. ADR512 as a Reference for a 10-Bit CMOS DAC (AD7533)

### PRECISE NEGATIVE VOLTAGE REFERENCE

The ADR512 is suitable for use in applications where a precise negative voltage reference is desired, including the application detailed in Figure 13.

Figure 14 shows the ADR512 configured to provide a  $-1.2\text{ V}$  output.

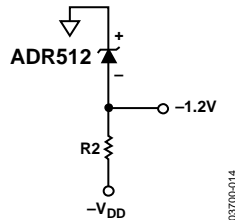


Figure 14. Precise  $-1.2\text{ V}$  Reference Configuration

Since the ADR512 characteristics resemble those of a Zener diode, the cathode shown in Figure 14 will be  $1.2\text{ V}$  higher with respect to the anode ( $V+$  with respect to  $V-$  on the ADR512

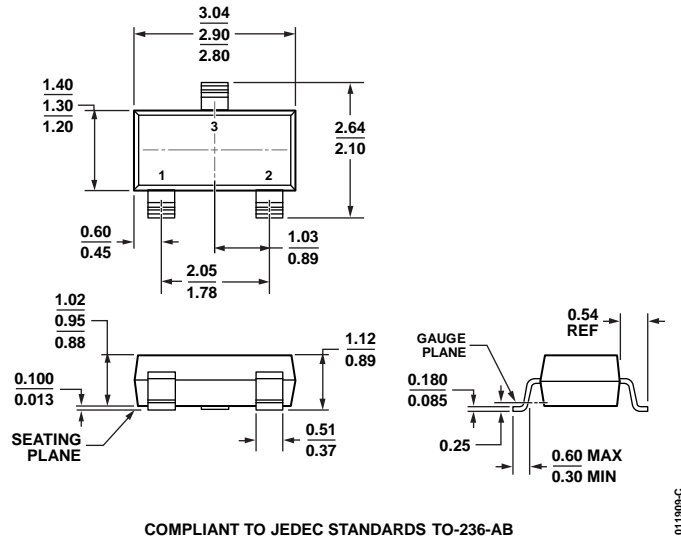
package). Since the cathode of the ADR512 is tied to ground, the anode must be  $-1.2\text{ V}$ .

$R1$  in Figure 14 should be chosen so that  $100\ \mu\text{A}$  to  $10\ \text{mA}$  is provided to properly bias the ADR512.

$$R1 = \frac{V_{DD}}{I} \quad (5)$$

The resistor  $R1$  should be chosen so that power dissipation is at a minimum. An ideal resistor value can be determined through manipulation of Equation 5.

OUTLINE DIMENSIONS



COMPLIANT TO JEDEC STANDARDS TO-236-AB

Figure 15. 3-Lead Small Outline Transistor Package [SOT-23] (RT-3)

Dimensions shown in millimeters

ORDERING GUIDE

Model	Output Voltage (V <sub>o</sub> )	Initial Accuracy		Temperature Coefficient (ppm/°C)	Package Description	Package Option	Branding	Number of Parts per Reel	Temperature Range
		(mV)	(%)						
ADR512ARTZ-REEL7	1.2	3.5	0.3	60	3-Lead SOT-23	RT-3	R1R	3,000	-40°C to +85°C

**NOTES**

**NOTES**