

SMT Power Inductors

Special Features

- High current capacity
- Ferrite bobbin core
- Low core loss for high frequency power application
- Low profile
- Compact size
- Large terminal surface for good PCB bonding
- Operating temperature -40 to +100°C
- Tape & reel packaged 1500/reel

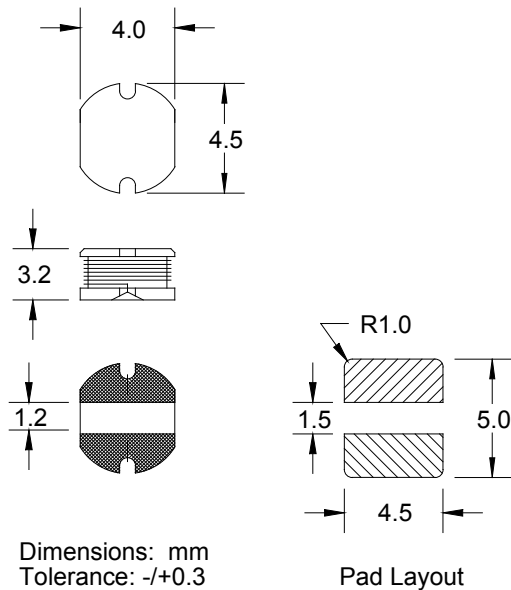
Notes

* Current to cause maximum 10% of inductance drop or 40°C temperature rise

** Crosses to the following Bourns Series
@ www.Bourns.com
PM43 link to Bourns [SDR0403](http://www.Bourns.com/SDR0403)

PM43 Series					
Part Number	L (μH) ±20%	Test Freq. (MHz)	SRF (MHz) Typ.	DCR Ω Max.	I, DC* (A)
PM43-1R0M	1.0	7.96	113	0.049	2.56
PM43-1R4M	1.4	7.96	101	0.057	2.52
PM43-1R8M	1.8	7.96	92	0.064	1.95
PM43-2R2M	2.2	7.96	76	0.072	1.75
PM43-2R7M	2.7	7.96	66	0.079	1.58
PM43-3R3M	3.3	7.96	63	0.087	1.44
PM43-3R9M	3.9	7.96	53	0.094	1.33
PM43-4R7M	4.7	7.96	49	0.109	1.15
PM43-5R6M	5.6	7.96	43	0.126	0.99
PM43-6R8M	6.8	7.96	41	0.132	0.95
PM43-8R2M	8.2	7.96	35	0.147	0.84
PM43-100M	10	2.52	35	0.182	1.04
PM43-120M	12	2.52	32	0.210	0.97
PM43-150M	15	2.52	29	0.235	0.85
PM43-180M	18	2.52	27	0.338	0.74
PM43-220M	22	2.52	24	0.378	0.68
PM43-270M	27	2.52	21	0.522	0.62
	±10%				
PM43-330K	33	2.52	19	0.540	0.56
PM43-390K	39	2.52	18	0.587	0.52
PM43-470K	47	2.52	15	0.844	0.44
PM43-560K	56	2.52	14	0.937	0.42
PM43-680K	68	2.52	13	1.117	0.37

Also available as RoHS compliant.



J.W. Miller
MAGNETICS

306 E. Alondra Blvd. Gardena, CA 90247-1059 • Phone (310) 515-1720 • FAX (310) 515-1962

www.jwmiller.com