



### Features

- Available in E12 series
- Low height of only 2.7 mm
- High Isat of 3.2 Amps
- Lead free version available (see How to Order)
- Lead free versions are RoHS compliant\*

### Applications

- Input/output of DC/DC converters
- Power supplies for:
  - Portable communication equipment
  - Camcorders
  - LCD TVs
  - Car radios

## SDR0703 Series - SMD Power Inductors

### Electrical Specifications

Bourns Part No.	Inductance 100 kHz		Q Ref.	Test Frequency (MHz)	SRF Min. (MHz)	RDC (Ω)	I rms Max. (A)	I sat Typ. (A)
	(μH)	Tol. %						
SDR0703-1R0M_	1.0	± 20	25	7.96	160.0	0.042	2.20	3.20
SDR0703-1R2M_	1.2	± 20	25	7.96	145.0	0.047	2.00	3.00
SDR0703-1R8M_	1.8	± 20	25	7.96	105.0	0.052	1.90	2.70
SDR0703-2R2M_	2.2	± 20	24	7.96	95.0	0.060	1.80	2.60
SDR0703-2R7M_	2.7	± 20	23	7.96	80.0	0.065	1.70	2.50
SDR0703-3R3M_	3.3	± 20	23	7.96	65.0	0.075	1.65	2.35
SDR0703-3R9M_	3.9	± 20	22	7.96	70.0	0.080	1.58	2.25
SDR0703-4R7M_	4.7	± 20	20	7.96	60.0	0.100	1.50	2.10
SDR0703-5R6M_	5.6	± 20	20	7.96	56.0	0.105	1.40	2.00
SDR0703-6R8M_	6.8	± 20	20	7.96	45.0	0.115	1.30	1.90
SDR0703-8R2M_	8.2	± 20	20	7.96	40.0	0.150	1.10	1.50
SDR0703-100K_	10	± 10	23	2.52	36.0	0.170	1.00	1.40
SDR0703-120K_	12	± 10	20	2.52	36.0	0.180	0.90	1.30
SDR0703-150K_	15	± 10	23	2.52	30.0	0.240	0.75	1.12
SDR0703-180K_	18	± 10	20	2.52	30.0	0.280	0.70	1.05
SDR0703-220K_	22	± 10	20	2.52	26.0	0.300	0.65	0.95
SDR0703-270K_	27	± 10	20	2.52	20.0	0.400	0.60	0.88
SDR0703-330K_	33	± 10	17	2.52	20.0	0.450	0.56	0.82
SDR0703-390K_	39	± 10	18	2.52	18.0	0.550	0.50	0.73
SDR0703-470K_	47	± 10	20	2.52	15.0	0.720	0.40	0.64
SDR0703-560K_	56	± 10	20	2.52	13.0	0.800	0.39	0.60
SDR0703-680K_	68	± 10	18	2.52	13.0	0.900	0.38	0.56
SDR0703-820K_	82	± 10	18	2.52	12.0	1.18	0.33	0.47
SDR0703-101K_	100	± 10	33	0.796	11.0	1.56	0.27	0.40
SDR0703-121K_	120	± 10	32	0.796	10.0	1.75	0.26	0.37
SDR0703-151K_	150	± 10	30	0.796	9.0	2.00	0.25	0.34
SDR0703-181K_	180	± 10	33	0.796	7.0	2.70	0.19	0.30
SDR0703-221K_	220	± 10	31	0.796	7.0	3.00	0.18	0.28
SDR0703-271K_	270	± 10	30	0.796	7.0	3.60	0.17	0.22
SDR0703-331K_	330	± 10	33	0.796	6.0	4.80	0.16	0.19
SDR0703-391K_	390	± 10	36	0.796	5.5	6.20	0.14	0.18
SDR0703-471K_	470	± 10	33	0.796	5.0	7.00	0.13	0.16
SDR0703-561K_	560	± 10	36	0.796	4.2	9.20	0.11	0.15
SDR0703-681K_	680	± 10	32	0.796	4.0	10.50	0.10	0.15
SDR0703-821K_	820	± 10	32	0.796	3.6	12.00	0.09	0.14
SDR0703-102K_	1000	± 10	30	0.252	3.2	14.20	0.08	0.13

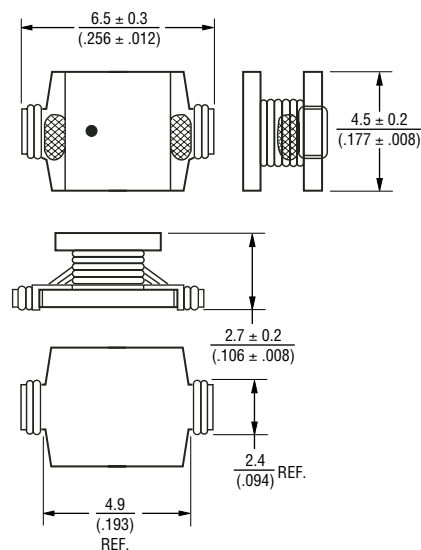
### General Specifications

Test Voltage.....0.1 V  
 Reflow Soldering ...230 °C, 50 sec. max.  
 Operating Temperature ..-40 °C to +125 °C  
 (Temperature rise included)  
 Storage Temperature...-40 °C to +125 °C  
 Resistance to Soldering Heat  
 .....260 °C for 10 sec.

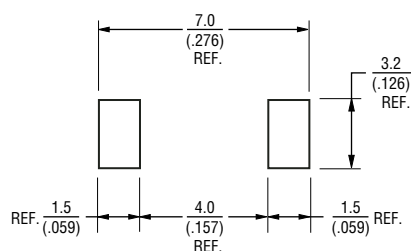
### Materials

Core .....Ferrite  
 Wire .....Enamelled copper 130 °C  
 Base.....LCP  
 Adhesive.....6020H-6  
 Terminal Electrode.....See How to Order  
 Rated Current  
 .....Ind. drop 10 % typ. at Isat  
 Temperature Rise .....20 °C max.  
 at rated Irms  
 Packaging .....500 pcs. per reel

### Product Dimensions



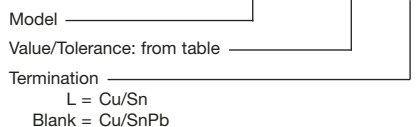
### Recommended Layout



DIMENSIONS:  $\frac{\text{MM}}{\text{(INCHES)}}$

### How to Order

#### SDR0703 - 100K



### Electrical Schematic

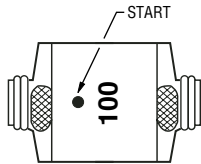


\*RoHS Directive 2002/95/EC Jan 27 2003 including Annex  
 Specifications are subject to change without notice.  
 Customers should verify actual device performance in their specific applications.

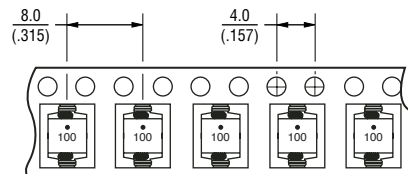
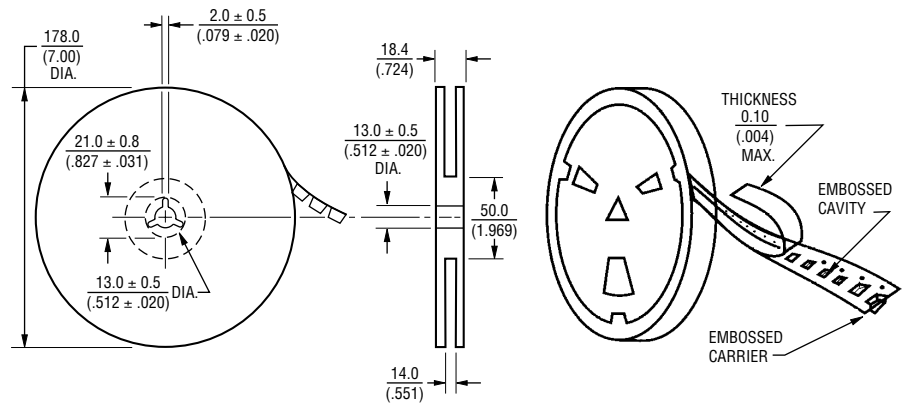
# SDR0703 Series - SMD Power Inductors

**BOURNS®**

## Typical Part Marking



## Packaging Specifications



QTY: 500 PCS. PER REEL

DIMENSIONS:  $\frac{\text{MM}}{\text{(INCHES)}}$

REV. 02/05

Specifications are subject to change without notice. Customers should verify actual device performance in their specific applications.