

FEATURES

Initial accuracy: ± 5 mV maximum, $\pm 0.27\%$ maximum
Low temperature coefficient: 25 ppm/ $^{\circ}\text{C}$ maximum
Load regulation: 100 ppm/mA
Line regulation: 25 ppm/V
Low supply headroom: 0.6 V
Wide operating range: ($V_{\text{OUT}} + 0.6\text{ V}$) to 15 V
Low power: 120 μA maximum
Shutdown to less than 3 μA maximum
Output current: 5 mA
Wide temperature range: 0°C to 70°C
Tiny 5-lead SOT-23 package

APPLICATIONS

Battery-powered instrumentation
Portable medical instruments
Data acquisition systems
Industrial process control systems
Fault protection critical systems

GENERAL DESCRIPTION

The ADR318 is a precision 1.8 V band gap voltage reference featuring high accuracy, high stability, and low power consumption in a tiny footprint. Patented temperature drift curvature correction techniques minimize nonlinearity of the voltage change with temperature. The wide operating range and low power consumption with additional shutdown capability make the part ideal for battery-powered applications. The $V_{\text{OUT(SENSE)}}$ pin enables greater accuracy by supporting full Kelvin operation in PCBs employing thin or long traces.

The ADR318 is a low dropout voltage (LDV) device that provides a stable output voltage from supplies as low as 600 mV

PIN CONFIGURATION

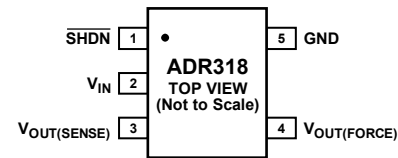


Figure 1. 5-Lead SOT-23

03431-001

above the output voltage. This device is specified over the industrial operating range of 0°C to 70°C , and is available in a tiny 5-lead SOT-23 package.

The combination of $V_{\text{OUT(SENSE)}}$ and shutdown functions also enables a number of unique applications, combining precision reference/regulation with fault decision and overcurrent protection.

See the Applications section for details.

Rev. A

Information furnished by Analog Devices is believed to be accurate and reliable. However, no responsibility is assumed by Analog Devices for its use, nor for any infringements of patents or other rights of third parties that may result from its use. Specifications subject to change without notice. No license is granted by implication or otherwise under any patent or patent rights of Analog Devices. Trademarks and registered trademarks are the property of their respective owners.

TABLE OF CONTENTS

Features	1	Theory of Operation	9
Applications.....	1	Device Power Dissipation Considerations.....	9
Pin Configuration.....	1	Shutdown Mode Operation	9
General Description	1	Applications.....	10
Revision History	2	Basic Voltage Reference Connection	10
Specifications.....	3	Precision Negative Voltage Reference Without Precision	
Electrical Characteristics	3	Resistors.....	10
Absolute Maximum Ratings.....	4	General-Purpose Current Source	10
Thermal Resistance	4	High Power Performance with Current Limit	10
ESD Caution.....	4	Outline Dimensions	12
Typical Performance Characteristics	5	Ordering Guide	12
Terminology	8		

REVISION HISTORY

10/06—Rev. 0 to Rev. A

Updated Format	Universal
Changes to Ordering Guide	12
Updated Outline Dimensions	12

1/03—Revision 0: Initial Version

SPECIFICATIONS

ELECTRICAL CHARACTERISTICS

$T_A = T_{MIN}$ to T_{MAX} , $V_{IN} = 5$ V, unless otherwise noted¹.

Table 1.

Parameter	Symbol	Conditions	Min	Typ	Max	Unit
Initial Accuracy	V_O		1.795	1.8	1.802	V
Initial Accuracy Error	V_{OERR}		-0.27		+0.27	%
Temperature Coefficient	TC_{VO}	0°C to 70°C		5	25	ppm/°C
Minimum Supply Voltage Headroom	$V_{IN} - V_{OUT}$		600			mV
Line Regulation	$\Delta V_{OUT}/\Delta V_{IN}$	$V_{IN} = 2.5$ V to 15 V, 0°C < T_A < 70°C		10	25	ppm/V
Load Regulation	$\Delta V_{OUT}/\Delta I_{LOAD}$	$V_{IN} = 3$ V, $I_{LOAD} = 0$ mA to 5 mA, 0°C < T_A < 70°C			100	ppm/mA
Quiescent Current	I_{SY}	No load 0°C < T_A < 70°C		100	120 140	μ A μ A
Voltage Noise	e_N	0.1 Hz to 10 Hz		5		μ V p-p
Turn-On Settling Time	t_R			20		μ s
Long-Term Stability ²	ΔV_{OUT}			50		ppm/1000 hours
Output Voltage Hysteresis	V_{O_HYS}			40		ppm
Ripple Rejection Ratio	RRR	$f_{IN} = 60$ Hz		85		dB
Short Circuit to Ground	I_{SC}	$V_{IN} = 5.0$ V $V_{IN} = 15.0$ V		25 30		mA mA
Shutdown Supply Current	I_{SHDN}				3	μ A
Shutdown Logic Input Current	I_{LOGIC}				500	nA
Shutdown Logic Low	V_{INL}				0.8	V
Shutdown Logic High	V_{INH}		2.4			V

¹ $T_{MIN} = 0^\circ\text{C}$, $T_{MAX} = 70^\circ\text{C}$.

² The long-term stability specification is noncumulative. The drift in subsequent 1000-hour periods is significantly lower than in the first 1000-hour period.

ABSOLUTE MAXIMUM RATINGS

At 25°C, unless otherwise noted.

Table 2.

Parameter	Rating
Supply Voltage	18 V
Output Short-Circuit Duration to GND	Observe derating curves
Storage Temperature Range: RJ-5 Package	-65°C to +125°C
Operating Temperature Range	0°C to 70°C
Junction Temperature Range: RJ-5 Package	-65°C to +150°C
Lead Temperature Range (Soldering, 60 sec)	300°C

Stresses above those listed under Absolute Maximum Ratings may cause permanent damage to the device. This is a stress rating only; functional operation of the device at these or any other conditions above those indicated in the operational section of this specification is not implied. Exposure to absolute maximum rating conditions for extended periods may affect device reliability.

THERMAL RESISTANCE

θ_{JA} is specified for the worst-case conditions, that is, a device soldered in a circuit board for surface-mount packages.

Table 3. Thermal Resistance

Package Type	θ_{JA}	θ_{JC}	Unit
5-Lead SOT-23 (RJ-5)	230	146	°C/W

ESD CAUTION



ESD (electrostatic discharge) sensitive device. Charged devices and circuit boards can discharge without detection. Although this product features patented or proprietary protection circuitry, damage may occur on devices subjected to high energy ESD. Therefore, proper ESD precautions should be taken to avoid performance degradation or loss of functionality.

TYPICAL PERFORMANCE CHARACTERISTICS

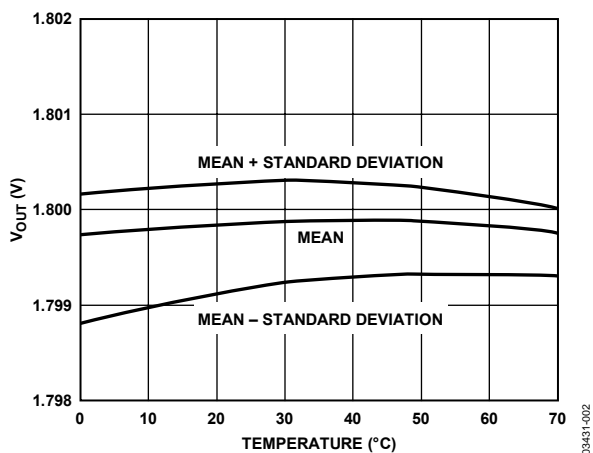


Figure 2. Typical Output Voltage vs. Temperature

03431-002

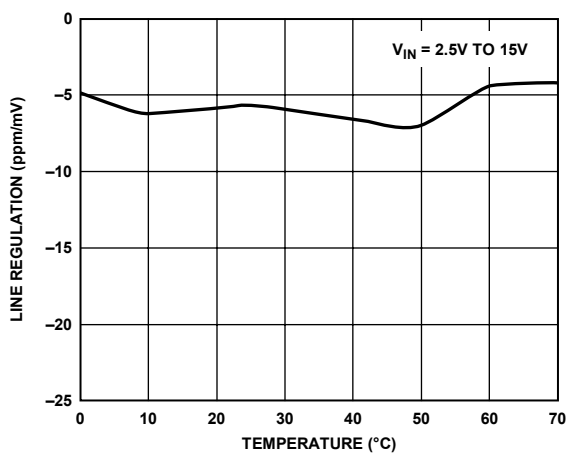


Figure 5. Line Regulation vs. Temperature

03431-005

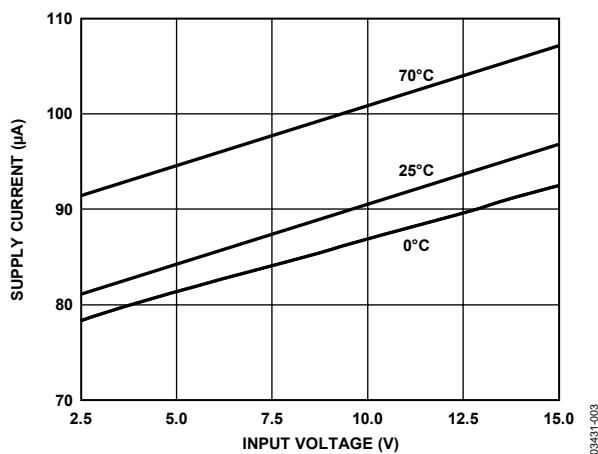


Figure 3. Supply Current vs. Input Voltage

03431-003

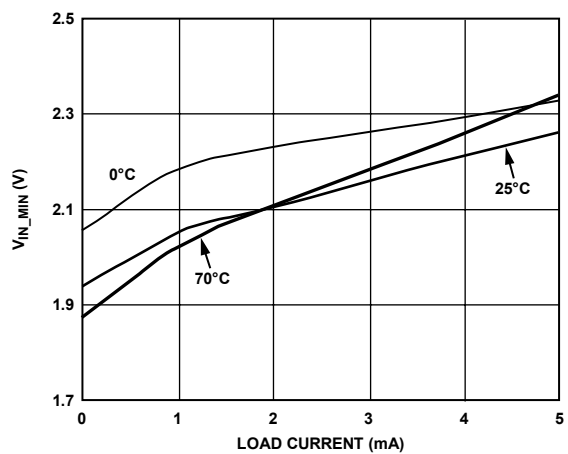


Figure 6. Minimum Input Voltage vs. Load Current

03431-006

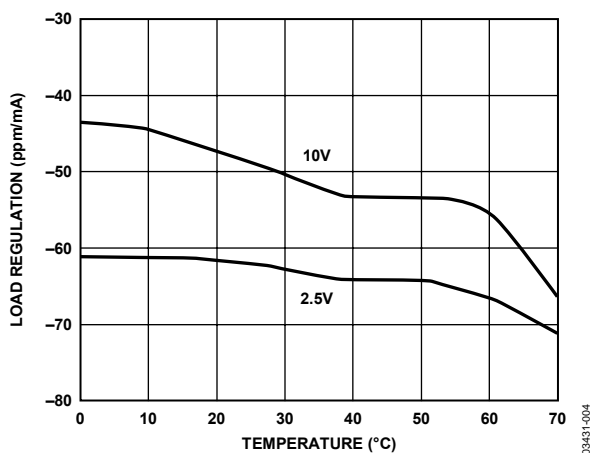


Figure 4. Load Regulation vs. Temperature

03431-004

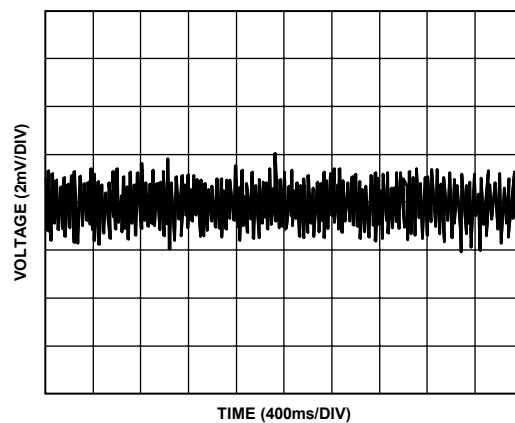
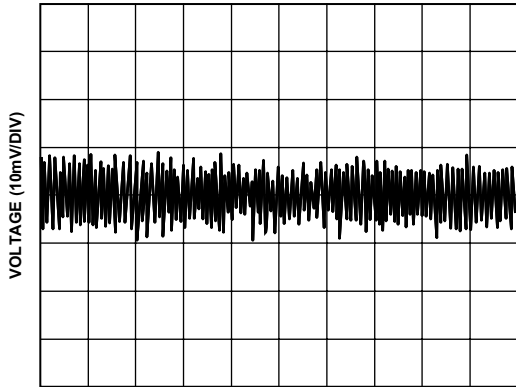


Figure 7. Typical Output Voltage Noise 0.1 Hz to 10 Hz

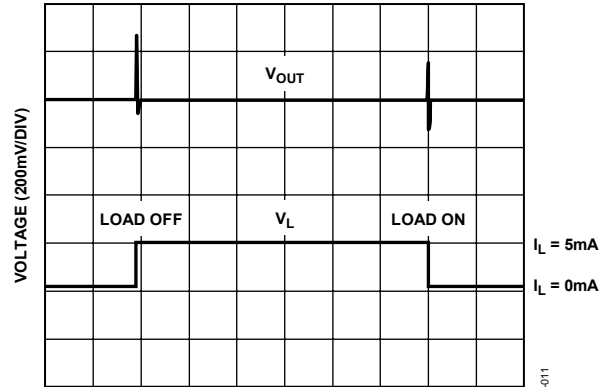
03431-007



TIME (10ms/DIV)

Figure 8. Typical Output Voltage Noise 10 Hz to 10 kHz

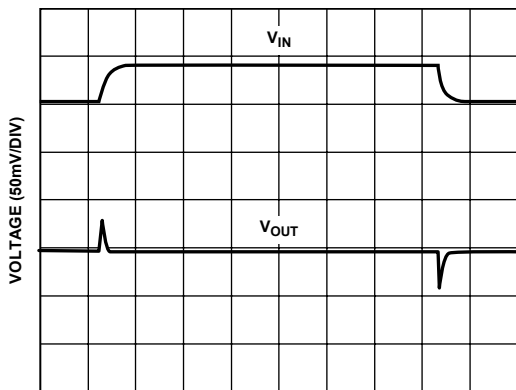
03431-008



TIME (200µs/DIV)

Figure 11. Load Transient Response, $C_L = 0 \text{ nF}$

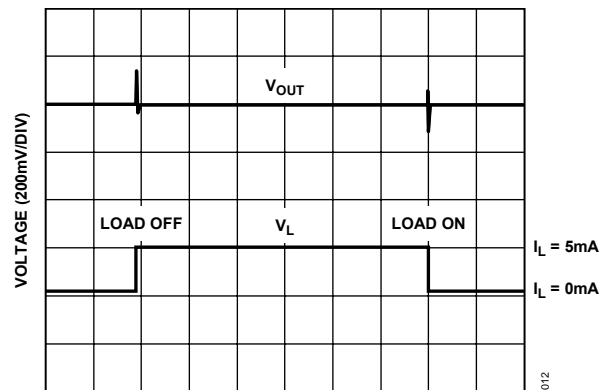
03431-011



TIME (40µs/DIV)

Figure 9. Line Transient Response, $C_{\text{BYPASS}} = 0 \mu\text{F}$

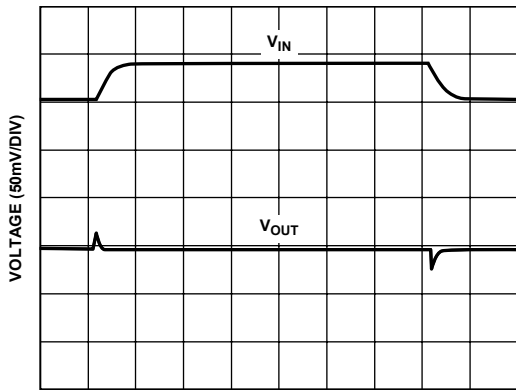
03431-009



TIME (200µs/DIV)

Figure 12. Load Transient Response, $C_L = 1 \text{ nF}$

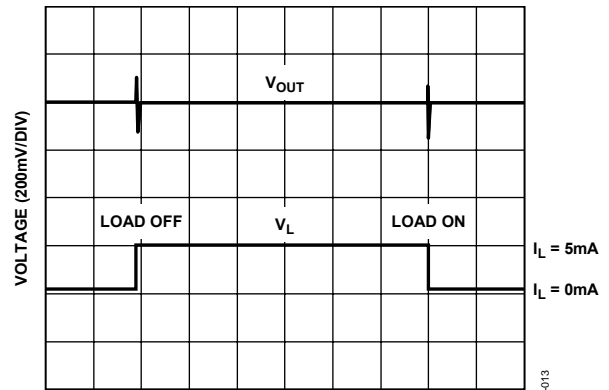
03431-012



TIME (40µs/DIV)

Figure 10. Line Transient Response, $C_{\text{BYPASS}} = 0.1 \mu\text{F}$

03431-010



TIME (200µs/DIV)

Figure 13. Load Transient Response, $C_L = 100 \text{ nF}$

03431-013

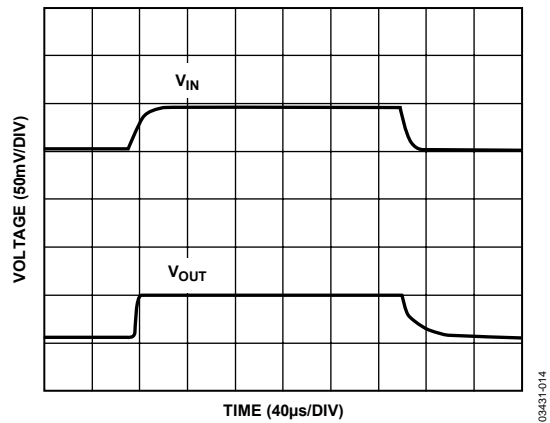


Figure 14. Turn-On/Turn-Off Response at 5 V, $R_{LOAD} = 1.8\text{ k}\Omega$

03431-014

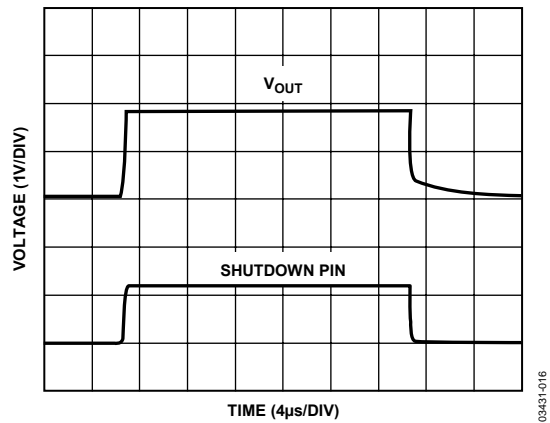


Figure 16. Shutdown Pin Response

03431-016

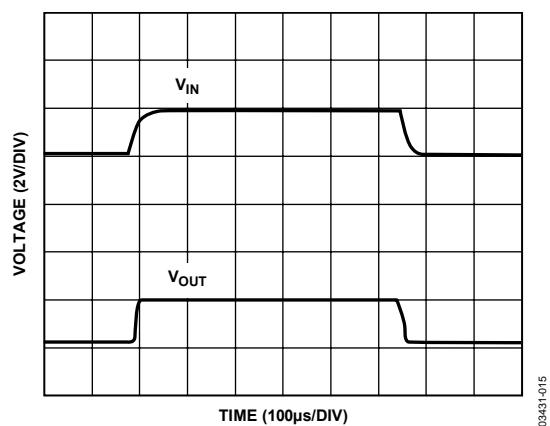


Figure 15. Turn-On/Turn-Off Response at 5 V, $R_{LOAD} = 1.8\text{ k}\Omega$, $C_{BYPASS} = 0.1\text{ }\mu\text{F}$

03431-015

TERMINOLOGY

Temperature Coefficient

Temperature coefficient is the change of output voltage with respect to operating temperature changes, normalized by the output voltage at 25°C. This parameter is expressed in ppm/°C, and can be determined with the following equation:

$$TCV_o \left[\frac{\text{ppm}}{^\circ\text{C}} \right] = \frac{V_o(T_2) - V_o(T_1)}{V_o(25^\circ\text{C}) \times (T_2 - T_1)} \times 10^6 \quad (1)$$

where:

$V_o(25^\circ\text{C}) = V_o$ at 25°C.

$V_o(T_1) = V_o$ at Temperature 1.

$V_o(T_2) = V_o$ at Temperature 2.

Long-Term Stability

Long-term stability is the typical shift of output voltage at 25°C on a sample of parts subjected to a test of 1000 hours at 25°C.

$$\Delta V_o = V_o(t_0) - V_o(t_1)$$

$$\Delta V_o [\text{ppm}] = \frac{V_o(t_0) - V_o(t_1)}{V_o(t_0)} \times 10^6 \quad (2)$$

where:

$V_o(t_0) = V_o$ at 25°C at Time 0.

$V_o(t_1) = V_o$ at 25°C after 1000 hours of operation at 25°C.

Thermal Hysteresis

Thermal hysteresis is the change of output voltage after the device is cycled through temperature from +25°C to -40°C to +125°C and back to +25°C. This is a typical value from a sample of parts put through such a cycle.

$$V_{O_HYS} = V_o(25^\circ\text{C}) - V_{O_TC}$$

$$V_{O_HYS} [\text{ppm}] = \frac{V_o(25^\circ\text{C}) - V_{O_TC}}{V_o(25^\circ\text{C})} \times 10^6 \quad (3)$$

where:

$V_o(25^\circ\text{C}) = V_o$ at 25°C.

$V_{O_TC} = V_o$ at 25°C after temperature cycle at +25°C to -40°C to +125°C and back to +25°C.

APPLICATIONS

BASIC VOLTAGE REFERENCE CONNECTION

The circuit in Figure 18 illustrates the basic configuration for the ADR318. Decoupling capacitors are not required for circuit stability. The ADR318 is capable of driving capacitive loads from 0 μ F to 10 μ F. However, a 0.1 μ F ceramic output capacitor is recommended to absorb and deliver the charge as is required by a dynamic load.

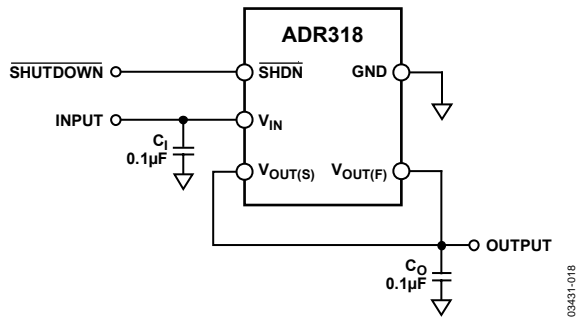


Figure 18. Voltage Reference Connection

PRECISION NEGATIVE VOLTAGE REFERENCE WITHOUT PRECISION RESISTORS

A negative reference can be easily generated by combining the ADR318 with an op amp. Figure 19 shows this simple negative reference configuration. $V_{OUT(F)}$ and $V_{OUT(S)}$ are at virtual ground and therefore the negative reference can be taken directly from the output of the op amp. The op amp should be a dual-supply, low offset, rail-to-rail amplifier, such as the OP1177.

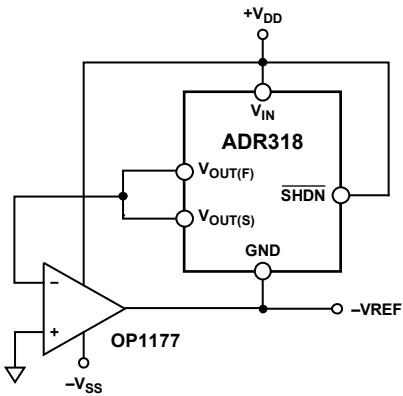


Figure 19. Negative Reference

GENERAL-PURPOSE CURRENT SOURCE

Many times in low power applications, the need arises for a precision current source that can operate on low supply voltages. As shown in Figure 20, the ADR318 can be configured as a precision current source. The illustrated circuit configuration is a floating current source with a grounded load. The reference output voltage is bootstrapped across R_1 that sets the output current into the load. With this configuration, circuit precision is maintained for load currents in the range of the reference supply current, typically 90 mA, to approximately 5 mA. The supply current is a function of I_{SET} and increases slightly at a given I_{SET} .

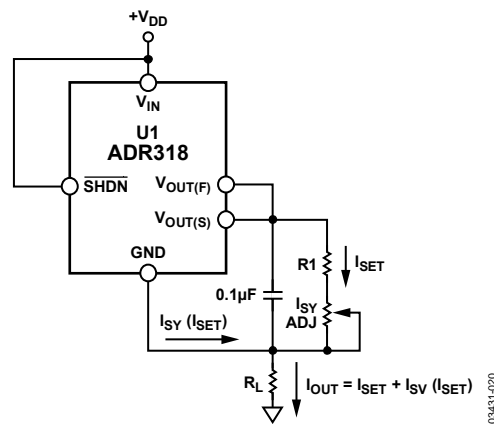


Figure 20. General-Purpose Current Source

HIGH POWER PERFORMANCE WITH CURRENT LIMIT

In some cases, the user may want higher output current delivered to a load and still achieve better than 0.5% accuracy out of the ADR318. The accuracy for a reference is normally specified with no load (see the Specifications section). However, the output voltage changes with the load current.

The circuit in Figure 21 provides high current without compromising the accuracy of the ADR318. The power bipolar junction transistor (BJT) Q1 provides the required current, up to 1 A. The ADR318 delivers the base drive to Q1 through the force pin. The sense pin of the ADR318 is a regulated output and is connected to the load.

The transistor Q2 protects Q1 during short-circuit limit faults by robbing its base drive. The maximum current is $I_{L, MAX} = 0.6 V/R_s$.

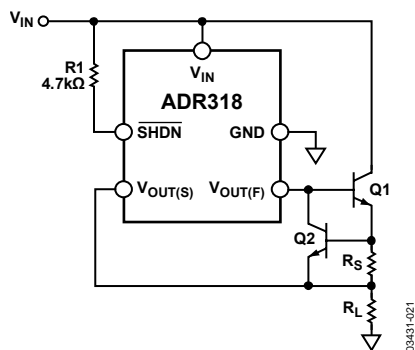


Figure 21. High Power Performance with Current Limit

A similar circuit function can also be achieved using the Darlington transistor configuration, as shown in Figure 22.

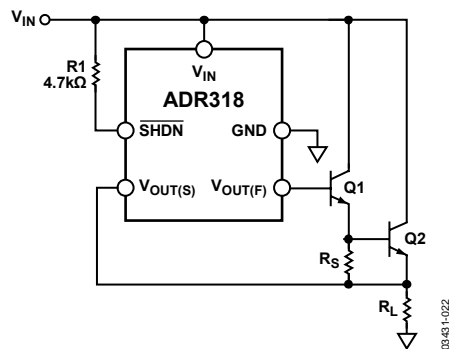
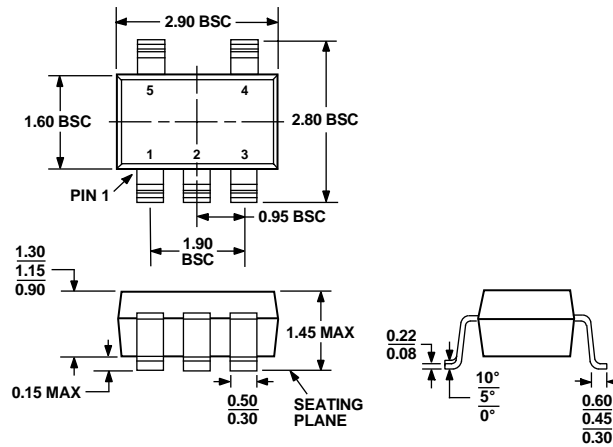


Figure 22. High Output Current with Darlington Drive Configuration

OUTLINE DIMENSIONS



COMPLIANT TO JEDEC STANDARDS MO-178-AA

Figure 23. 5-Lead Small Outline Transistor Package [SOT-23] (RJ-5)

Dimensions shown in millimeters

ORDERING GUIDE

Model	Temperature Range	Package Description	Package Option	Branding	Output Voltage	Ordering Quantity
ADR318ARJ-R2	0°C to 70°C	5-Lead SOT-23	RJ-5	REA	1.800 V	250
ADR318ARJ-REEL	0°C to 70°C	5-Lead SOT-23	RJ-5	REA	1.800 V	10,000
ADR318ARJ-REEL7	0°C to 70°C	5-Lead SOT-23	RJ-5	REA	1.800 V	3,000
ADR318ARJZ-REEL7 ¹	0°C to 70°C	5-Lead SOT-23	RJ-5	L28	1.800 V	3,000

¹ Z = Pb-free part.