


Features

- Designed for G.703 codirectional interface
- Matched to leading transceiver ICs
- Through-hole unit
- RoHS compliant*

 This series is Scl M/R_U not recommended for new designs.

Applications

- Telecom

PT66004L - ISDN S-Interface Transformer

Electrical Specifications @ 25 °C

Turns Ratio $\pm 3\%$ (III : II + I) 1:2 CT*
 OCL (mH min.) 20
 Interwinding Capacitance
 C_{ww} (pF max.) 130
 Leakage Inductance L_s (μ H max.) 5
 HIPOT 50 Hz for 2 sec. (V_{rms})
 III to II + I 1500
 DCR I + II (Ω max.) 5
 DCR III (Ω max.) 2.65
 Operating Temperature (°C) 0 to +70

*CT : center tap

Other OCL specifications available on request.

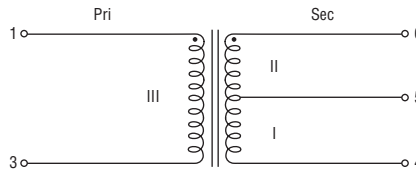
Packaging Specifications

Tube 56 pcs./tube

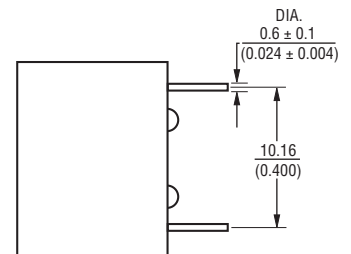
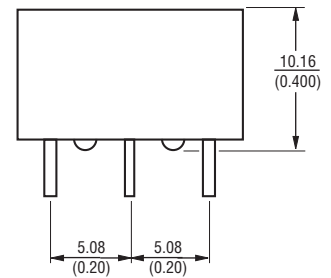
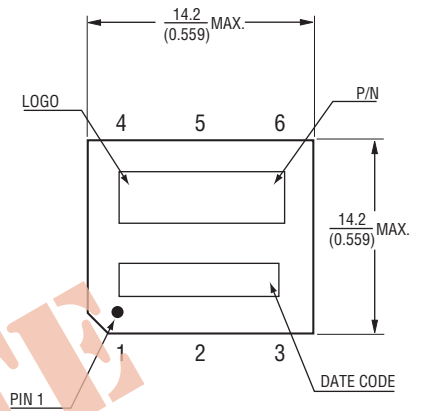
How To Order

Model PT66004 L
 Termination _____
 L = Tin only (RoHS Compliant)

Electrical Schematic



Product Dimensions



DIMENSIONS: $\frac{\text{MM}}{\text{(INCHES)}}$

REV. 05/13

*RoHS Directive 2002/95/EC Jan. 27, 2003 including annex and RoHS Recast 2011/65/EU June 8, 2011.

Specifications are subject to change without notice.

The device characteristics and parameters in this data sheet can and do vary in different applications and actual device performance may vary over time.

Users should verify actual device performance in their specific applications.

OBSOLETE