

REVISION RECORD		
REV	DESCRIPTION	DATE
0	INITIAL RELEASE	06/12/96
A	BURN-IN CIRCUIT CHANGED TO MATCH THE JAN BURN-IN CIRCUIT.	1/23/97
B	<ul style="list-style-type: none"> PAGE 2, PARAGRAPH 3.3.b: ADDED "(SEE PARAGRAPH 3.2)". PAGE 3, PARAGRAPH 3.12: WAFER LOT ACCEPTANCE EXPLANATION WAS REWRITTEN. PAGE 4, PARAGRAPH 4.4.2, GROUP B INSPECTION WAS REDEFINED. PARAGRAPH 4.4.3, GROUP D INSPECTION WAS REDEFINED. PARAGRAPH 4.5.1, SOURCE INSPECTION WAS REDEFINED. PAGE 6, FIGURE 1, CASE OUTLINES: ADDED θ_{ja}, θ_{jc}, AND T_j MAX. PAGE 7, TOTAL DOSE BIAS CURRENT CHANGED FROM FIGURE 4 TO FIGURE 3. PAGE 8, BURN-IN CIRCUIT CHANGED FROM FIGURE 3 TO FIGURE 4. PAGE 9, TABLE I: REMOVED THE "Δ TEMP" FROM THE TEMPERATURE STABILITY PARAMETER SYMBOL. 	10/17/98
C	<ul style="list-style-type: none"> PAGE 4, AMENDED PARAGRAPHS 4.1 AND 4.1.1 TAKING EXCEPTION TO ANALYSIS OF CATASTROPHIC FAILURES. 	2/23/98
D	<ul style="list-style-type: none"> DATA SHEET CHANGES TO PRE AND POST IRRADIATION TABLES. DEVICE TITLE CHANGED TO RH1009M. 	7/29/98
E	<ul style="list-style-type: none"> PAGE 6, CHANGED θ_{ja} FROM 400°C, TO46 CASE OUTLINE. PAGE 9, CHANGE $-55^\circ\text{C} \leq T_j \leq 150^\circ\text{C}$ TO $-55^\circ\text{C} \leq T_j \leq 125^\circ\text{C}$ (TABLE I, ELECTRICAL CHARACTERISTICS, PRE-IRRADIATION). 	8/30/99
F	<ul style="list-style-type: none"> PAGE 3, PARAGRAPHS 3.2, HAD FIGURE 1, REMOVED. PAGE 4, PARAGRAPH 3.7, CHANGED VERBIAGE FROM "SPECIFIED IN TABLE III" TO "AND AS SPECIFIED IN TABLE III HEREIN", LINE 2. PAGE 5, PARAGRAPH 4.3, ADDED "HEREIN" AFTER "TABLE III", LINE 2. PARAGRAPH 4.4.1, ADDED "HEREIN" AFTER "TABLE III", LINE 2. PARAGRAPH 4.4.2.2, CHANGED VERBIAGE IN LINE 1 FROM "ALL FOOTNOTES OF TABLE IIA IN MIL-STD-883". PARAGRAPH 4.4.3.2, CHANGED VERBIAGE IN LINE 1 FROM "ALL FOOTNOTES OF TABLE IV OF MIL-STD-883" TO "ALL FOOTNOTES PERTAINING TO TABLE IV IN MIL-STD-883". 	12/29/99
G	<ul style="list-style-type: none"> PAGE 10, CORRECTED TABLE 1A: ELECTRICAL CHARACTERISTICS, BY ADDING 200K RAD LIMITS. 	5/4/00

REVISION RECORD AND DESCRIPTION CONTINUED ON NEXT PAGE.

CAUTION: ELECTROSTATIC DISCHARGE SENSITIVE PART

REVISION	PAGE NO.	1	2	3	4	5	6	7	8	9	10	11	12	13				
INDEX	REVISION	N	N	N	N	N	N	N	N	N	N	N	N	N				
REVISION	PAGE NO.																	
INDEX	REVISION																	
		ORIG									LINEAR TECHNOLOGY CORPORATION MILPITAS, CALIFORNIA TITLE: MICROCIRCUIT, LINEAR, RH1009M, 2.5V REFERENCE							
		DSGN																
		ENGR																
		MFG																
		CM																
		QA																
		PROG									SIZE	CAGE CODE	DRAWING NUMBER	REV				
												64155	05-08-5011	N				
APPLICATION	FUNCT	SIGNOFFS			DATE			CONTRACT:										

FOR OFFICIAL USE ONLY

REVISION RECORD		
REV	DESCRIPTION	DATE
H	<ul style="list-style-type: none"> • PAGE 4: PARAGRAPH 3.6, TABLE IA CHANGED TO TABLE II. PARAGRAPH 3.7, TABLE III CHANGED TO TABLE IV. PARAGRAPH 3.9, TABLE II CHANGED TO TABLE III. PARAGRAPH 3.11.1 WAS CHANGED FROM "...dosage rate of approximately 20 Rads per second" TO "...dosage rate of less than or equal to 10 Rads per second". PARAGRAPHS 4.1 THROUGH 4.2 CHANGES WERE DONE TO CLARIFY GROUP SAMPLING. • PAGE 5: PARAGRAPHS 4.3 THROUGH 4.4.2.1 CHANGES WERE DONE TO CLARIFY GROUP SAMPLING. PARAGRAPH 4.4.3 CHANGE WAS DONE TO CLARIFY GROUP SAMPLING. • PAGE 6: PARAGRAPHS 4.6.2 THROUGH 4.6.4 WERE RE-WRITTEN. THESE DATA PROVIDED, AND DATA AVAILABLE. PARAGRAPH 4.6.10 NOTE, ADDED FURTHER EXPLANATION OF MINIMUM DELIVERED DATA. • PAGE 7: ADDED "SEATING PLANE" TO THE SEATING PLANE DIMENSION OF CASE OUTLINE. • PAGE 9: UPDATED BURN-IN CIRCUIT TO CURRENT DRAWING. NO MAJOR CHANGES INVOLVED. <ul style="list-style-type: none"> • PAGES 7 THROUGH 9: ALL FIGURE TITLES CHANGED TO HAVE DEVICE AND PACKAGE TYPES AT TOP OF PAGE, AND HAVE ALL FIGURES AT BOTTOM OF PAGE. • PAGE 10: MOVED TABLES I, II, III, AND IV ALL ON TO PAGE 10, MAKING THE SPEC ONLY 10 PAGES. 	12/3/02
J	<ul style="list-style-type: none"> • PAGE 4: PARAGRAPH 3.10.3 – LEAD MATERIAL AND FINISH CHANGED FROM "The lead material and finish for device shall be gold plated Kovar and may be hot solder dip (Finish letter A) in accordance with MIL-PRF-38535" TO "The lead material and finish for device shall be gold plated Kovar." 	11/06/03
K	<ul style="list-style-type: none"> • PAGE 4: CHANGED INITIAL RATE OF RADS TO 240 RADS/SEC. 	03/16/05
L	<ul style="list-style-type: none"> • PAGE 3, PARA 3.2.2 - ADDED OPTION 2 - RH1009MW GLASS SEALED FLATPACK, 10 LEADS. • PAGE 4, PARA 2.8 – ADDED FIGURE 7; PARA 2.10.1, FIGURE 2, MECHANICAL PACKAGING REQUIREMENTS; PARA 2.10.2, FIGURE 4, TERMINAL CONNECTIONS. • PAGE 23, FIGURE 7 – ADDED BURN-IN CIRCUIT. 	03/23/07
M	<ul style="list-style-type: none"> • PAGE 5, CHANGED IN BOTH PARAGRAPHS 3.2, 3.3 IN CONJUNCTION TO 3.3 CHANGED PARAGRAPHS TO 3.4 AND PARAGRAPH 4.3 CHANGED 3.1.1 TO 3.1 AND 3.2.1 TO 3.1.1 • PAGE 4, PARAGRAPH 3.103 ADDED OPTION 2 IS ALLOY 42 FOR FLATPACK AND FINISH HOT SOLDER DIP (FINISH LITTER A) IN ACCORDANCE WITH MIL-PRF-38535. 	12/10/07
N	<ul style="list-style-type: none"> • PAGE 4, PARAGRAPH 3.11.1 CHANGED VERBIAGE. 	

1.0 SCOPE:

- 1.1 This specification defines the performance and test requirements for a microcircuit processed to a space level manufacturing flow.

2.0 APPLICABLE DOCUMENTS:

- 2.1 Government Specifications and Standards: the following documents listed in the Department of Defense Index of Specifications and Standards, of the issue in effect on the date of solicitation, form a part of this specification to the extent specified herein.

SPECIFICATIONS:

MIL-PRF-38535 Integrated Circuits (Microcircuits) Manufacturing, General Specification for

MIL-STD-883 Test Method and Procedures for Microcircuits

MIL-STD-1835 Microcircuits Case Outlines

- 2.2 Order of Precedence: In the event of a conflict between the documents referenced herein and the contents of this specification, the order of precedence shall be this specification, MIL-PRF-38535 and other referenced specifications.

3.0 REQUIREMENTS:

- 3.1 General Description: This specification details the requirements for the RH1009M, 2.5V REFERENCE processed to space level manufacturing flow.

- 3.2 Part Number:

3.2.1 Option 1 - RH1009MH (TO46 METAL CAN, 3 LEAD)

3.2.2 Option 2 – RH1009MW (Glass Sealed Flatpack, 10 Leads)

- 3.3 Part Marking Includes:

- a. LTC Logo
- b. LTC Part Number (See Paragraph 3.2)
- c. Date Code
- d. Serial Number
- e. ESD Identifier per MIL-PRF-38535, Appendix A

- 3.4 The Absolute Maximum Ratings:
- | | |
|--------------------------------------|-----------------|
| Reverse Breakdown Current | 20mA |
| Forward Current | 10mA |
| Operating Temperature Range | -55°C to +125°C |
| Storage Temperature Range | -65°C to +150°C |
| Lead Temperature (Soldering, 10 sec) | +300°C |
- 3.5 Electrostatic discharge sensitivity, ESDS, shall be Class 1.
- 3.6 Electrical Performance Characteristics: The electrical performance characteristics shall be as specified in Table I and Table II.
- 3.7 Electrical Test Requirements: Screening requirements shall be in accordance with 4.1 herein, MIL-STD-883, Method 5004, and as specified in Table IV herein.
- 3.8 Burn-In Requirement: Burn-in circuit is specified in Figure 6 & 7.
- 3.9 Delta Limit Requirement: Delta limit parameters are specified in Table III herein, are calculated after each burn-in, and the delta rejects are included in the PDA calculation.
- 3.10 Design, Construction, and Physical Dimensions: Detail design, construction, physical dimensions, and electrical requirements shall be specified herein.
- 3.10.1 Mechanical / Packaging Requirements: Case outlines and dimensions are in accordance with Figure 1 & 2.
- 3.10.2 Terminal Connections: The terminal connections shall be as specified in Figure 3 & 4.
- 3.10.3 Lead Material and Finish: The lead material and finish for Option 1 shall be gold plated Kovar. Option 2 lead material is Alloy with lead finish hot solder dip (finish liter A) in accordance with MIL-PRF-38535.
- 3.11 Radiation Hardness Assurance (RHA):
- 3.11.1 The manufacturer shall perform a lot sample test as an internal process monitor for total dose radiation tolerance. The sample test is performed with MIL-STD-883 TM1019 Condition A as a guideline.
- 3.11.2 For guaranteed radiation performance to MIL-STD-883, Method 1019, total dose irradiation, the manufacturer will provide certified RAD testing and report through an independent test laboratory when required as a customer purchase order line item.
- 3.11.3 Total dose bias circuit is specified in Figure 5.
- 3.12 Wafer Lot Acceptance: Wafer lot acceptance shall be in accordance with MIL-PRF-38535, Appendix A, except for the following: Topside glassivation thickness shall be a minimum of 4KÅ.

- 3.13 Wafer Lot Acceptance Report: SEM is performed per MIL-STD-883, Method 2018 and copies of SEM photographs shall be supplied with the Wafer Lot Acceptance Report as part of a Space Data Pack when specified as a customer purchase order line item.

4.0 VERIFICATION (QUALITY ASSURANCE PROVISIONS)

- 4.1 Quality Assurance Provisions: Quality Assurance provisions shall be in accordance with MIL-PRF-38535. Linear Technology is a QML certified company and all Rad Hard candidates are assembled on qualified Class S manufacturing lines.
- 4.2 Sampling and Inspection: Sampling and Inspection shall be in accordance with MIL-STD-883, Method 5005 with QML allowed and TRB approved deviations in conjunction with paragraphs 3.1.1, 3.2.1, and 3.4 of the test method.
- 4.3 Screening: Screening requirements shall be in accordance with MIL-STD-883, Method 5004 with QML allowed and TRB approved deviations in conjunction with paragraphs 3.1, 3.1.1, and 3.4 of the test method. Electrical testing shall be as specified in Table IV herein.
- 4.3.1 Analysis of catastrophic (open/short) failures from burn-in will be conducted only when a lot fails the burn-in or re-burn-in PDA requirements.
- 4.4 Quality Conformance Inspection: Quality conformance inspection shall be in accordance with 4.2 and 4.3 herein and as follows:
- 4.4.1 Group A Inspection: Group A inspection shall be performed in accordance with 4.1 herein, per MIL-STD-883, Method 5005, and specified in Table IV herein.
- 4.4.2 Group B Inspection: When purchased, a full Group B is performed on an inspection lot. As a minimum, Subgroup B2 (Resistance to Solvents / Mark Permanency) and Subgroup B3 (Solderability) are performed prior to the first shipment from any inspection lot and Attributes provided when a Full Space Data Pack is ordered. Subgroup B5 (Operating Life) is performed on each wafer lot. This subgroup may or may not be from devices built in the same package style as the current inspection lot. Attributes and variables data for this subgroup will be provided upon request at no charge.
- | | | |
|---------|----------------------------|--|
| 4.4.2.1 | Group B, Subgroup 2c = 10% | Group B, Subgroup 5 = *5% |
| | Group B, Subgroup 3 = 10% | (*per wafer or inspection lot
whichever is the larger quantity) |
| | Group B, Subgroup 4 = 5% | Group B, subgroup 6 = 15% |
- 4.4.2.2 All footnotes pertaining to Table IIa in MIL-STD-883, Method 5005 apply. The quantity (accept number) of all other subgroups are per MIL-STD-883, Method 5005, Table IIa.
- 4.4.3 Group D Inspection: When purchased, a full Group D is performed on an inspection lot. As a minimum, periodic full Group D sampling is performed on each package family for each assembly location every 26 weeks. A generic Group D Summary is provided when a full Space Data Pack is ordered.
- 4.4.3.1 Group D, Subgroups 3, 4 and 5 = 15% each (Sample Size Series).

4.4.3.2 All footnotes pertaining to Table IV in MIL-STD-883, Method 5005 apply. The quantity (accept number) or sample number and accept number of all other subgroups are per MIL-STD-883, Method 5005, Table IV.

4.5 Source Inspection:

- 4.5.1 The manufacturer will coordinate Source Inspection at wafer lot acceptance and pre-seal internal visual.
- 4.5.2 The procuring activity has the right to perform source inspection at the supplier's facility prior to shipment for each lot of deliverables when specified as a customer purchase order line item. This may include wafer lot acceptance and final data review.

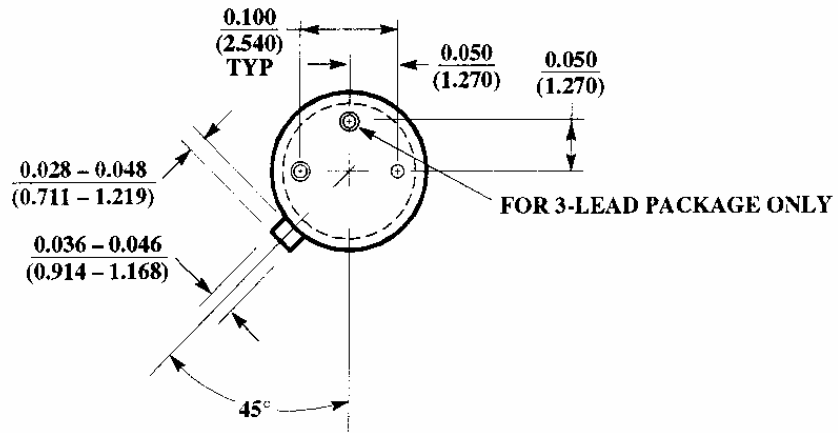
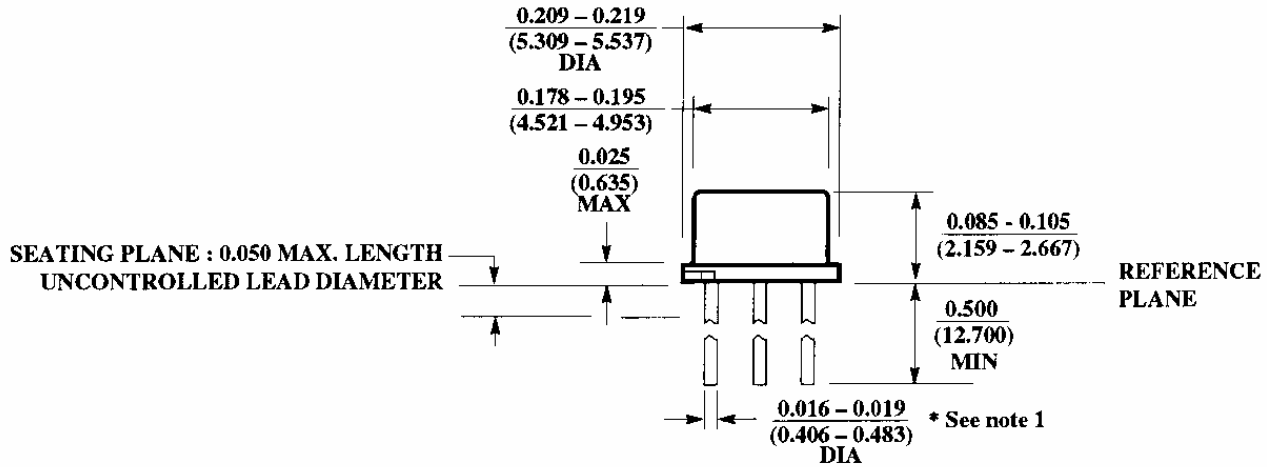
4.6 Deliverable Data: Deliverable data that will ship with devices when a Space Data Pack is ordered:

- 4.6.1 Lot Serial Number Sheets identifying all devices accepted through final inspection by serial number.
- 4.6.2 100% attributes (completed lot specific traveler; includes Group A Summary)
- 4.6.3 Burn-In Variables Data and Deltas (if applicable)
- 4.6.4 Group B2, B3, and B5 Attributes (Variables data, if performed on lot shipping)
- 4.6.5 Generic Group D data (4.4.3 herein)
- 4.6.6 SEM photographs (3.13 herein)
- 4.6.7 Wafer Lot Acceptance Report (3.13 herein)
- 4.6.8 X-Ray Negatives and Radiographic Report
- 4.6.9 A copy of outside test laboratory radiation report if ordered
- 4.6.10 Certificate of Conformance certifying that the devices meet all the requirements of this specification and have successfully completed the mandatory tests and inspections herein.

Note: Items 4.6.1 and 4.6.10 will be delivered as a minimum, with each shipment. This is noted on the Purchase Order Review Form as "No Charge Data".

- 5.0 Packaging Requirements: Packaging shall be in accordance with Appendix A of MIL-PRF-38535. All devices shall be packaged in conductive material or packaged in anti-static material with an external conductive field shielding barrier.

(H) TO46 / 3 LEADS CASE OUTLINE

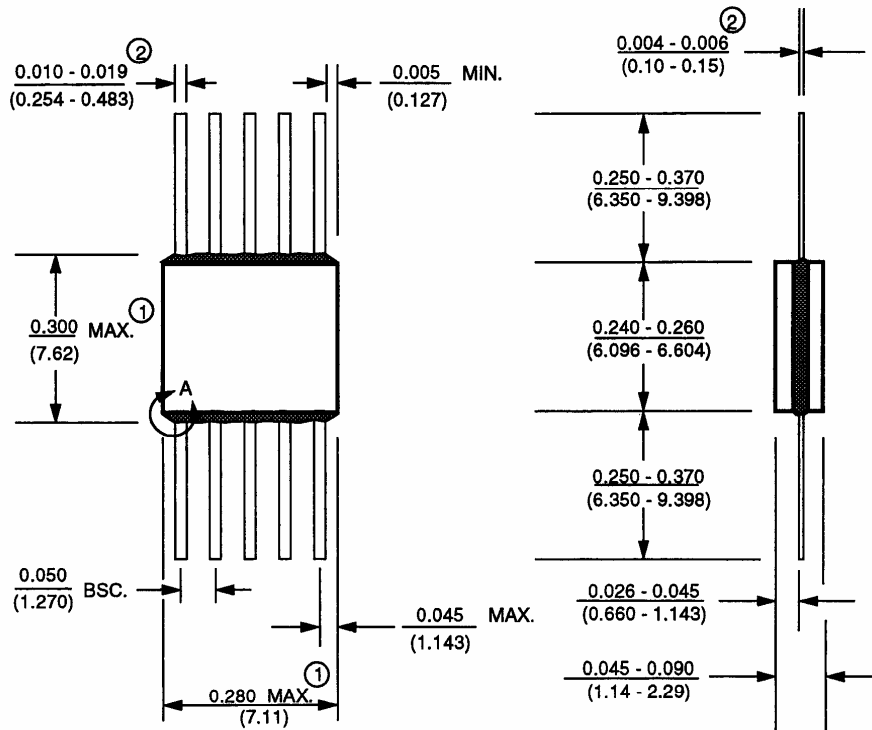


NOTE: 1. FOR SOLDER DIP LEAD FINISH, LEAD DIAMETER IS $\frac{0.016 - 0.024}{(0.406 - 0.610)}$

$\theta_{ja} = +440^{\circ}\text{C/W}$
 $\theta_{jc} = +80^{\circ}\text{C/W}$
 $T_J \text{ MAX} = +150^{\circ}\text{C}$

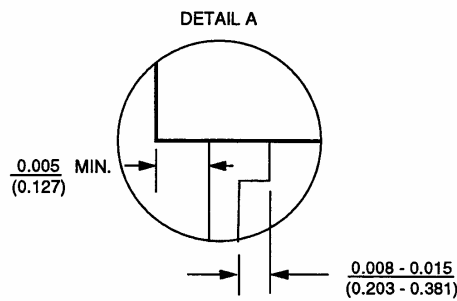
FIGURE 1

(W10) GLASS SEALED FLATPACK / 10LEADS CASE OUTLINE



NOTES:

- ① THIS DIMENSION ALLOWS FOR OFF-CENTER LID, MENISCUS AND GLASS OVER RUN
- ② INCREASE DIMENSIONS BY 0.003 INCH WHEN LEAD FINISH IS APPLIED (SOLDER DIPPED)



$\theta_{ja} = +170^{\circ}\text{C/W}$
 $\theta_{jc} = +40^{\circ}\text{C/W}$

FIGURE 2

TERMINAL CONNECTIONS

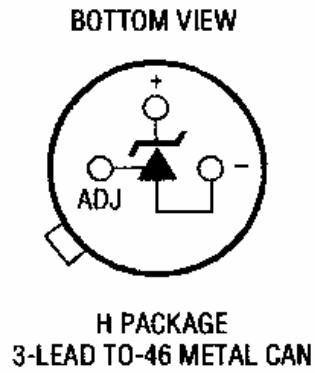


FIGURE 3

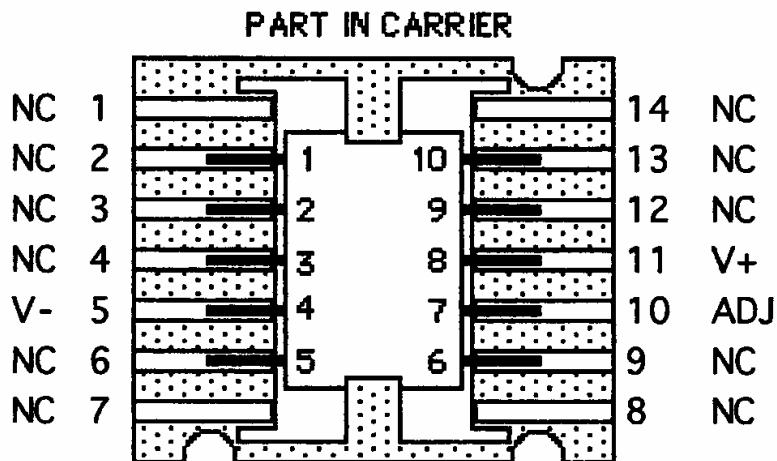


FIGURE 4

TOTAL DOSE BIAS CIRCUIT

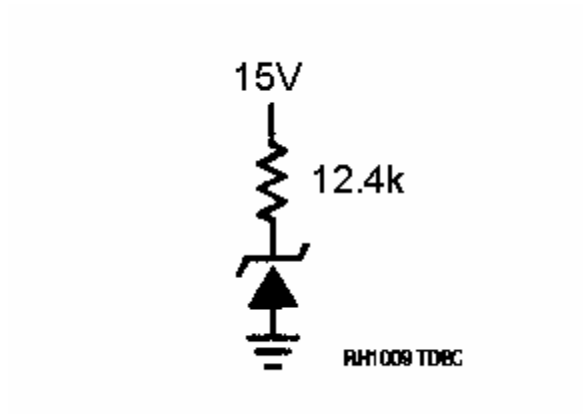
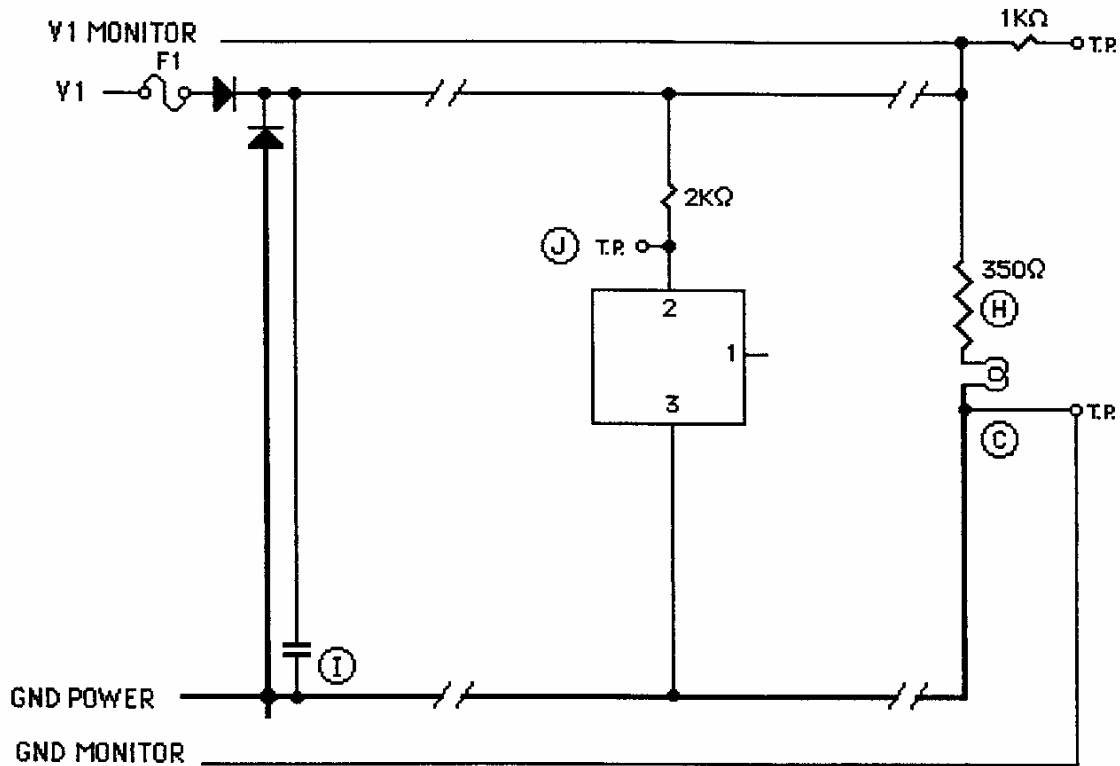


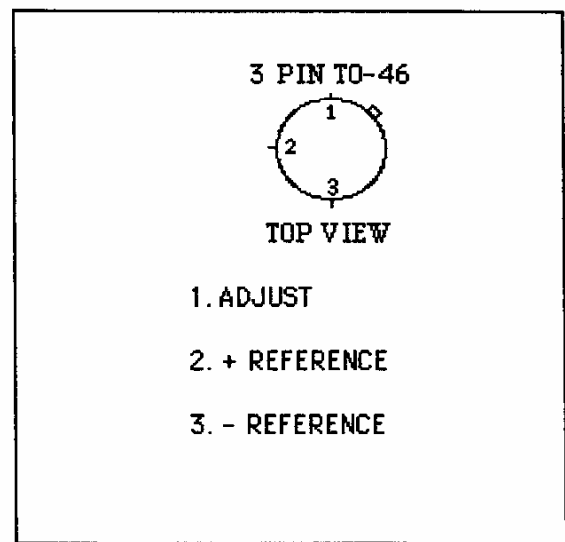
FIGURE 5

**STATIC BURN-IN CIRCUIT
OPTION 1, TO46 METAL CAN / 3 LEADS**



NOTES:

1. Unless otherwise specified, component tolerances shall be per military specification.
2. $T_j = 169^\circ\text{C}$ maximum.
3. $T_a = 150^\circ\text{C}$.
4. Burn-in Voltages: $V_1 = +20\text{V}$ to $+22\text{V}$

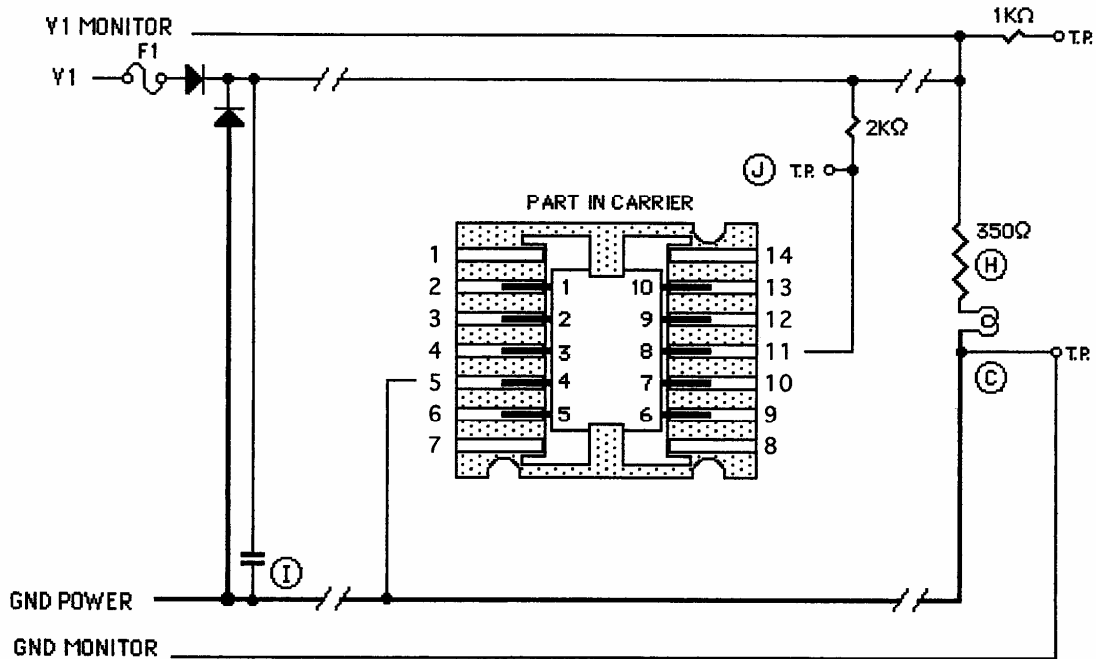


1. ADJUST
2. + REFERENCE
3. - REFERENCE

PACKAGE AND PINOUT

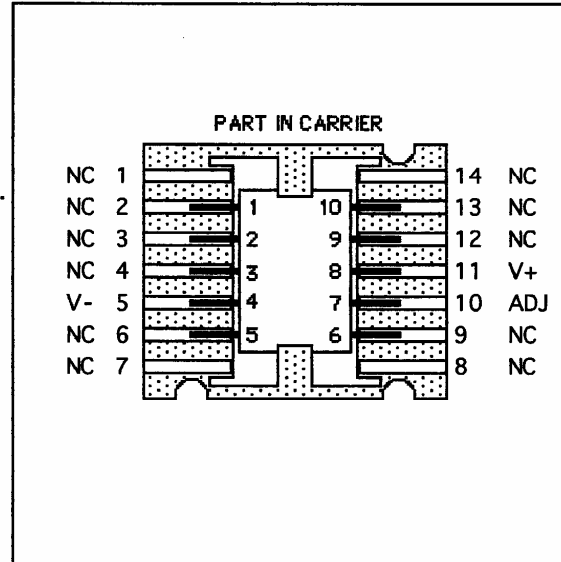
FIGURE 6

**STATIC BURN-IN CIRCUIT
OPTION 2, GLASS SEALED FLATPACK / 10 LEAD**



NOTES:

1. Unless otherwise specified, component tolerances shall be per military specification.
2. $T_a = +150\text{ }^\circ\text{C}$.
3. T_j maximum = $+163\text{ }^\circ\text{C}$.
4. Burn-in voltages: $V_1 = +20\text{V to } +22\text{V}$



PACKAGE AND PINOUT

FIGURE 7

TABLE I: ELECTRICAL CHARACTERISTICS (PRE-IRRADIATION)

SYMBOL	PARAMETER	CONDITIONS	NOTES	T _J = 25°C			SUB-GROUP	-55°C ≤ T _J ≤ 125°C			SUB-GROUP	UNITS
				MIN	TYP	MAX		MIN	TYP	MAX		
V _Z	Reverse Breakdown Voltage	I _R = 1mA		2.495	2.505		1					V
$\frac{\Delta V_Z}{\Delta I_R}$	Reverse Breakdown Voltage Change with Current	400μA ≤ I _R ≤ 10mA			6		1		10		2,3	mV
r _Z	Reverse Dynamic Impedance	I _R = 1mA	1		0.6				1			Ω
ΔV _Z	Temperature Stability		1						15			mV
$\frac{\Delta V_Z}{\Delta \text{Time}}$	Long Term Stability	T _A = 25°C ± 0.1°C, I _R = 1mA			20							ppm/kHr

TABLE II: ELECTRICAL CHARACTERISTICS (POST-IRRADIATION) NOTE 2

SYMBOL	PARAMETER	CONDITIONS	NOTES	10KRAD(Si)		20KRAD(Si)		50KRAD(Si)		100KRAD(Si)		200KRAD(Si)		UNITS
				MIN	MAX	MIN	MAX	MIN	MAX	MIN	MAX	MIN	MAX	
V _Z	Reverse Breakdown Voltage	I _R = 1mA		2.495	2.505	2.495	2.505	2.495	2.505	2.495	2.505	2.495	2.505	V
$\frac{\Delta V_Z}{\Delta I_Z}$	Reverse Breakdown Voltage Change with Current	400μA ≤ I _R ≤ 10mA			6		6		8		10		12	mV
r _Z	Reverse Dynamic Impedance	I _R = 1mA	1		0.6		0.6		0.8		1.0		1.4	Ω

Note 1: Guaranteed by design, characterization or correlation to other tested parameters.

Note 2: T_A = 25°C unless otherwise noted.

TABLE III: POST BURN-IN ENDPOINTS AND DELTA LIMIT REQUIREMENTS

T_A = 25°C

PARAMETER	ENDPOINT LIMIT		DELTA		UNITS
	MIN	MAX	MIN	MAX	
V _Z @ I _R = 1mA	2.495	2.505	-.0025	.0025	V

TABLE IV: ELECTRICAL TEST REQUIREMENTS

MIL-STD-883 TEST REQUIREMENTS	SUBGROUP
FINAL ELECTRICAL TEST REQUIREMENTS (METHOD 5004)	1*, 2, 3
GROUP A TEST REQUIREMENTS (METHOD 5005)	1, 2, 3
GROUP B AND D FOR CLASS S ENDPOINT ELECTRICAL PARAMETERS (METHOD 5005)	1, 2, 3

*PDA APPLIES TO SUBGROUP 1.

PDA TEST NOTE: The PDA is specified as 5% based on failures from Group A, Subgroup 1, tests after cool down as the final electrical test in accordance with method 5004 of MIL-STD-883. The verified failures of Group A, Subgroup 1 and delta rejects after burn-in divided by the total number of devices submitted for burn-in in that lot shall be used to determine the percent for the lot.