



**PRELIMINARY**

**CY62187G30 MoBL**

**64-Mbit (4M words × 16-bit) Static RAM with Error-Correcting Code (ECC)**

**Features**

- Ultra-low standby current
  - Typical standby current: 6  $\mu$ A
  - Maximum standby current: 38  $\mu$ A
- High speed: 55 ns
- Embedded error-correcting code (ECC) for single-bit error correction<sup>[1]</sup>
- Operating voltage range: 2.2 V to 3.6 V
- 1.0-V data retention
- Transistor-transistor logic (TTL) compatible inputs and outputs
- Error indication (ERR) pin to indicate 1-bit error detection and correction
- Available in Pb-free 48-ball VFBGA package

**Functional Description**

CY62187G30 is a high-performance CMOS, low-power (MoBL<sup>®</sup>) SRAM device with embedded ECC<sup>[2]</sup>. This device is offered in Dual Chip Enable option.

To access a Dual Chip Enable device, assert both Chip Enable inputs –  $\overline{CE}_1$  as LOW and  $CE_2$  as HIGH.

To perform data writes, assert the Write Enable ( $\overline{WE}$ ) input LOW, and provide the data and address on the device data pins (I/O<sub>0</sub> through I/O<sub>15</sub>) and address pins (A<sub>0</sub> through A<sub>21</sub>) respectively. The Byte High Enable (BHE) and Byte Low Enable (BLE) inputs control byte writes and write data on the corresponding I/O lines to the memory location specified.  $\overline{BHE}$  controls I/O<sub>8</sub> through I/O<sub>15</sub> and  $\overline{BLE}$  controls I/O<sub>0</sub> through I/O<sub>7</sub>.

To perform data reads, assert the Output Enable ( $\overline{OE}$ ) input and provide the required address on the address lines. You can access the read data on the I/O lines (I/O<sub>0</sub> through I/O<sub>15</sub>). To perform byte accesses, assert the required byte enable signal (BHE or BLE) to read either the upper byte or the lower byte of the data from the specified address location.

All I/Os (I/O<sub>0</sub> through I/O<sub>15</sub>) are placed in a High-Z state when the device is deselected ( $\overline{CE}_1$  HIGH /  $CE_2$  LOW for a Dual Chip Enable device), or the control signals are deasserted ( $\overline{OE}$ ,  $\overline{BLE}$ , BHE).

These devices have a unique byte power-down feature where, when both Byte Enables ( $\overline{BHE}$  and  $\overline{BLE}$ ) are disabled, the devices seamlessly switch to the standby mode irrespective of the state of the Chip Enables, thereby saving power.

CY62187G30 is available in a Pb-free 48-ball VFBGA package. See [Logic Block Diagram – CY62187G30 on page 2](#).

For a complete list of related documentation, click [here](#).

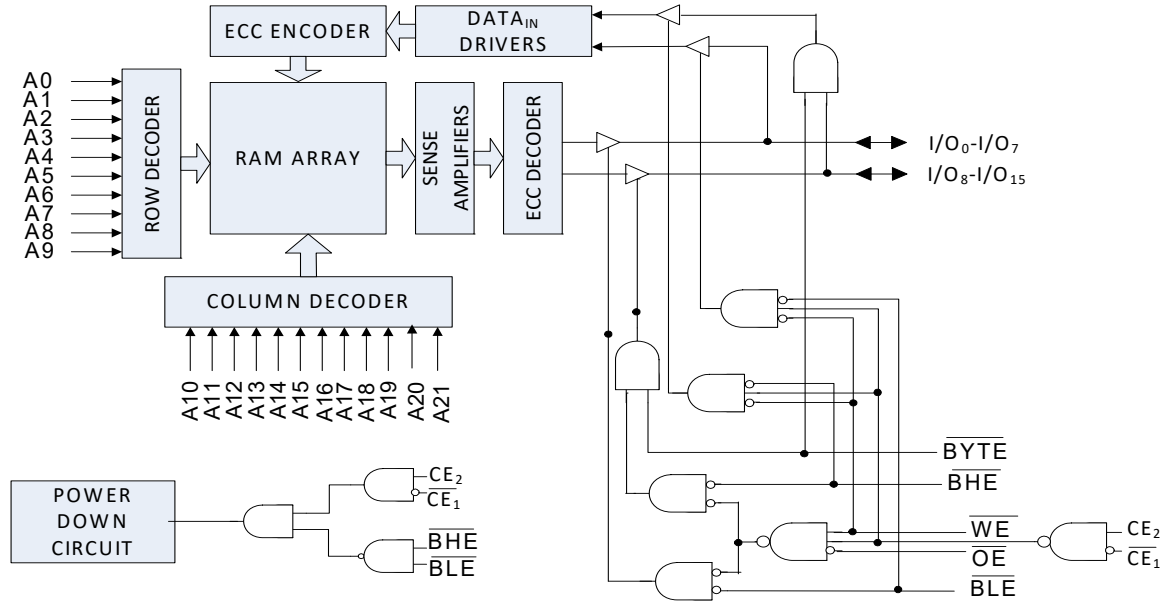
**Product Portfolio**

Product	Features and Options (see <a href="#">Pin Configuration – CY62187G30</a> )	Range	V <sub>CC</sub> Range (V)	Speed (ns)	Current Consumption			
					Operating I <sub>CC</sub> , (mA)		Standby, I <sub>SB2</sub> ( $\mu$ A)	
					f = f <sub>max</sub>			
					Typ <sup>[3]</sup>	Max	Typ <sup>[3]</sup>	Max
CY62187G30	Dual Chip Enable	Industrial	2.2 V–3.6 V	55	40	55	6	38

**Notes**

1. SER FIT rate <0.1 FIT/Mb. Refer to [AN88889](#) for details.
2. This device does not support automatic write-back on error detection.
3. Typical values are included only for reference and are not guaranteed or tested. Typical values are measured at V<sub>CC</sub> = 3 V (for V<sub>CC</sub> range of 2.2 V–3.6 V), T<sub>A</sub> = 25°C.

**Logic Block Diagram – CY62187G30**

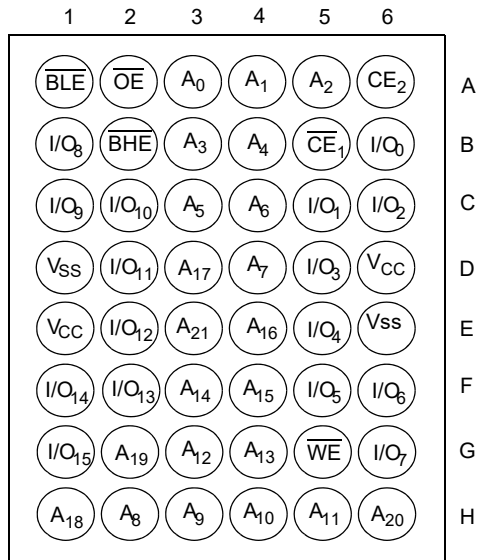


## Contents

<b>Pin Configuration – CY62187G30</b> .....	<b>4</b>	<b>Ordering Information</b> .....	<b>14</b>
<b>Maximum Ratings</b> .....	<b>5</b>	Ordering Code Definitions .....	14
<b>Operating Range</b> .....	<b>5</b>	<b>Package Diagram</b> .....	<b>15</b>
<b>DC Electrical Characteristics</b> .....	<b>5</b>	<b>Acronyms</b> .....	<b>16</b>
<b>Capacitance</b> .....	<b>6</b>	<b>Document Conventions</b> .....	<b>16</b>
<b>Thermal Resistance</b> .....	<b>6</b>	Units of Measure .....	16
<b>AC Test Loads and Waveforms</b> .....	<b>6</b>	<b>Document History Page</b> .....	<b>17</b>
<b>Data Retention Characteristics</b> .....	<b>7</b>	<b>Sales, Solutions, and Legal Information</b> .....	<b>18</b>
<b>Data Retention Waveform</b> .....	<b>7</b>	Worldwide Sales and Design Support .....	18
<b>Switching Characteristics</b> .....	<b>8</b>	Products .....	18
<b>Switching Waveforms</b> .....	<b>9</b>	PSoC® Solutions .....	18
<b>Truth Table – CY62187G30</b> .....	<b>13</b>	Cypress Developer Community .....	18
		Technical Support .....	18

**Pin Configuration – CY62187G30**

**Figure 1. 48-ball VFBGA Pinout (Dual Chip Enable) – CY62187G30 [4]**



**Notes**

- NC pins are not connected internally to the die and are typically used for address expansion to a higher-density device. Refer to the respective datasheets for pin configuration.
- Tie the  $\overline{\text{BYTE}}$  pin in the 48-pin TSOP I package to V<sub>CC</sub> to use the device as a 2M × 16 SRAM. The 48-pin TSOP I package can also be used as a 4M × 8 SRAM by tying the  $\overline{\text{BYTE}}$  signal to V<sub>SS</sub>. In the 4M × 8 configuration, pin 45 is the extra address line A21, while  $\overline{\text{BHE}}$ ,  $\overline{\text{BLE}}$ , and I/O<sub>8</sub> to I/O<sub>14</sub> pins are not used and can be left floating.

### Maximum Ratings

Exceeding maximum ratings may shorten the useful life of the device. User guidelines are not tested.

Storage temperature ..... -65°C to + 150°C  
 Ambient temperature  
 with power applied ..... -55°C to + 125°C  
 Supply voltage  
 to ground potential ..... -0.5 V to V<sub>CC</sub> + 0.5 V  
 DC voltage applied to outputs  
 in High Z state<sup>[6]</sup> ..... -0.5 V to V<sub>CC</sub> + 0.5 V

DC input voltage<sup>[6]</sup> ..... -0.5 V to V<sub>CC</sub> + 0.5 V  
 Output current into outputs (LOW) ..... 20 mA  
 Static discharge voltage  
 (MIL-STD-883, Method 3015) ..... >2001 V  
 Latch-up current ..... >140 mA

### Operating Range

Grade	Ambient Temperature	V <sub>CC</sub> <sup>[7]</sup>
Industrial	-40 °C to +85 °C	2.2 V to 3.6 V

### DC Electrical Characteristics

Over the operating range of -40°C to 85°C

Parameter	Description	Test Conditions	55 ns			Unit	
			Min	Typ <sup>[8]</sup>	Max		
V <sub>OH</sub>	Output HIGH voltage	2.2 V to 2.7 V	V <sub>CC</sub> = Min, I <sub>OH</sub> = -0.1 mA		2.0	V	
		2.7 V to 3.6 V	V <sub>CC</sub> = Min, I <sub>OH</sub> = -1.0 mA		2.4		
V <sub>OL</sub>	Output LOW voltage	2.2 V to 2.7 V	V <sub>CC</sub> = Min, I <sub>OL</sub> = 0.1 mA		-	V	
		2.7 V to 3.6 V	V <sub>CC</sub> = Min, I <sub>OL</sub> = 2.1 mA		0.4		
V <sub>IH</sub>	Input HIGH voltage <sup>[6]</sup>	2.2 V to 2.7 V	-	-	V <sub>CC</sub> + 0.3	V	
		2.7 V to 3.6 V	-	-	V <sub>CC</sub> + 0.3		
V <sub>IL</sub>	Input LOW voltage <sup>[6]</sup>	2.2 V to 2.7 V	-	-	0.6	V	
		2.7 V to 3.6 V	-	-	0.8		
I <sub>IX</sub>	Input leakage current	GND ≤ V <sub>IN</sub> ≤ V <sub>CC</sub>	-1.0	-	+1.0	µA	
I <sub>OZ</sub>	Output leakage current	GND ≤ V <sub>OUT</sub> ≤ V <sub>CC</sub> , Output disabled	-1.0	-	+1.0	µA	
I <sub>CC</sub>	V <sub>CC</sub> operating supply current	V <sub>CC</sub> = Max, I <sub>OUT</sub> = 0 mA, CMOS levels	f = 22.22 MHz (45 ns)	-	40	55.0	mA
			f = 1 MHz	-	15	38.0	
I <sub>SB1</sub> <sup>[11]</sup>	Automatic Power-down Current – CMOS Inputs; V <sub>CC</sub> = 2.2 V to 3.6 V	$\overline{CE}_1 \geq V_{CC} - 0.2 \text{ V}$ or $CE_2 \leq 0.2 \text{ V}$ or $(\overline{BHE} \text{ and } \overline{BLE}) \geq V_{CC} - 0.2 \text{ V}$ , $V_{IN} \geq V_{CC} - 0.2 \text{ V}$ , $V_{IN} \leq 0.2 \text{ V}$ , $f = f_{max}$ (address and data only), $f = 0$ ( $\overline{OE}$ , and $\overline{WE}$ ), $V_{CC} = V_{CC(max)}$	-	12.0	38.0	µA	
I <sub>SB2</sub> <sup>[11]</sup>	Automatic Power-down Current – CMOS Inputs V <sub>CC</sub> = 2.2 V to 3.6 V	$\overline{CE}_1 \geq V_{CC} - 0.2 \text{ V}$ or $CE_2 \leq 0.2 \text{ V}$ or $(\overline{BHE} \text{ and } \overline{BLE}) \geq V_{CC} - 0.2 \text{ V}$ , $V_{IN} \geq V_{CC} - 0.2 \text{ V}$ or $V_{IN} \leq 0.2 \text{ V}$ , $f = 0$ , $V_{CC} = V_{CC(max)}$	-	-	-	µA	
			-	-	-		
			-	-	-		
			-	-	6.0	38.0	

**Notes**

- V<sub>IL(min)</sub> = -2.0 V and V<sub>IH(max)</sub> = V<sub>CC</sub> + 2 V for pulse durations of less than 20 ns.
- Full device AC operation assumes a 100-µs ramp time from 0 to V<sub>CC</sub> (min) and 400-µs wait time after V<sub>CC</sub> stabilizes to its operational value.
- Indicates the value for the center of distribution at 3.0 V, 25°C and not 100% tested.
- Chip enables (CE<sub>1</sub> and CE<sub>2</sub>) and BYTE must be tied to CMOS levels to meet the I<sub>SB1</sub> / I<sub>SB2</sub> / I<sub>CCDR</sub> spec. Other inputs can be left floating.
- The I<sub>SB2</sub> maximum limits at 25 °C, 40 °C, and 70 °C are guaranteed by design and not 100% tested.

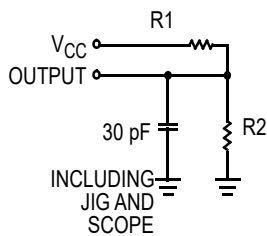
### Capacitance

Parameter <sup>[11]</sup>	Description	Test Conditions	Max	Unit
C <sub>IN</sub>	Input capacitance	T <sub>A</sub> = 25 °C, f = 1 MHz, V <sub>CC</sub> = V <sub>CC(typ)</sub>	15.0	pF
C <sub>OUT</sub>	Output capacitance		15.0	pF

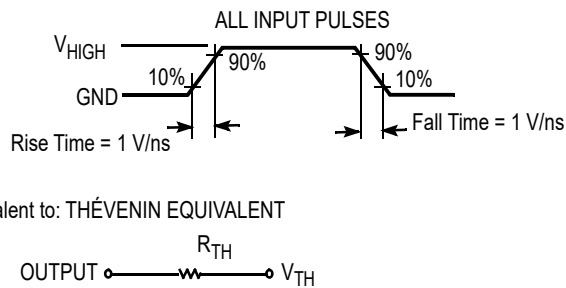
### Thermal Resistance

Parameter <sup>[11]</sup>	Description	Test Conditions	48-ball VFBGA	Unit
Θ <sub>JA</sub>	Thermal resistance (junction to ambient)	Still air, soldered on a 3 × 4.5 inch, four-layer printed circuit board	82.6	°C/W
Θ <sub>JC</sub>	Thermal resistance (junction to case)		10.8	°C/W

### AC Test Loads and Waveforms



**Figure 2. AC Test Loads and Waveforms**



Parameters	2.5 V	3.0 V	Unit
R1	16667	1103	Ω
R2	15385	1554	Ω
R <sub>TH</sub>	8000	645	Ω
V <sub>TH</sub>	1.20	1.75	V
V <sub>HIGH</sub>	2.5	3.0	V

**Note**

11. Tested initially and after any design or process changes that may affect these parameters.

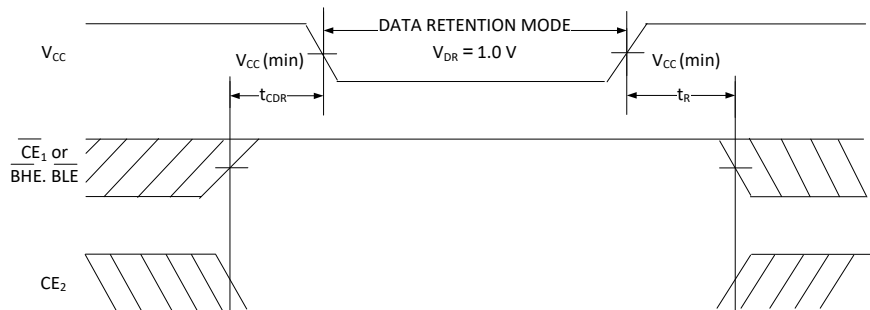
### Data Retention Characteristics

Over the Operating Range

Parameter	Description	Conditions	Min	Typ <sup>[12]</sup>	Max	Unit
V <sub>DR</sub>	V <sub>CC</sub> for data retention	–	1.5	–	–	V
I <sub>CCDR</sub> <sup>[13, 14]</sup>	Data retention current	2.2 V < V <sub>CC</sub> ≤ 3.6 V $\overline{CE}_1 \geq V_{CC} - 0.2 \text{ V}$ or $CE_2 \leq 0.2 \text{ V}$ or $(\overline{BHE}$ and $\overline{BLE}) \geq V_{CC} - 0.2 \text{ V}$ , $V_{IN} \geq V_{CC} - 0.2 \text{ V}$ or $V_{IN} \leq 0.2 \text{ V}$	–	6.0	38.0	μA
		1.5 V ≤ V <sub>CC</sub> ≤ 2.2 V, $\overline{CE}_1 \geq V_{CC} - 0.2 \text{ V}$ or $CE_2 \leq 0.2 \text{ V}$ or $(\overline{BHE}$ and $\overline{BLE}) \geq V_{CC} - 0.2 \text{ V}$ , $V_{IN} \geq V_{CC} - 0.2 \text{ V}$ or $V_{IN} \leq 0.2 \text{ V}$	–	–	48.0	
t <sub>CDR</sub> <sup>[15]</sup>	Chip deselect to data retention time	–	0.0	–	–	–
t <sub>R</sub> <sup>[15, 16]</sup>	Operation recovery time	–	55.0	–	–	ns

### Data Retention Waveform

Figure 3. Data Retention Waveform<sup>[17]</sup>



**Notes**

- 12. Indicates the value for the center of distribution at 3.0 V, 25°C and not 100% tested.
- 13. Chip Enables ( $\overline{CE}_1$  and  $CE_2$ ) and  $\overline{BYTE}$  must be tied to CMOS levels to meet the  $I_{SB1} / I_{SB2} / I_{CCDR}$  spec. Other inputs can be left floating.
- 14.  $I_{CCDR}$  is guaranteed only after the device is first powered up to  $V_{CC(min)}$  and then brought down to  $V_{DR}$ .
- 15. These parameters are guaranteed by design and are not tested.
- 16. Full-device operation requires linear  $V_{CC}$  ramp from  $V_{DR}$  to  $V_{CC(min)} \geq 400 \mu\text{s}$  or stable at  $V_{CC(min)} \geq 400 \mu\text{s}$ .
- 17.  $\overline{BHE}.\overline{BLE}$  is the AND of both  $\overline{BHE}$  and  $\overline{BLE}$ . Deselect the chip by either disabling the chip enable signals or by disabling both  $\overline{BHE}$  and  $\overline{BLE}$ .

## Switching Characteristics

Parameter <sup>[18]</sup>	Description	55 ns		Unit
		Min	Max	
<b>Read Cycle</b>				
$t_{RC}$	Read cycle time	55.0	–	ns
$t_{AA}$	Address to data valid / Address to ERR valid	–	55.0	ns
$t_{OHA}$	Data hold from address change / ERR hold from address change	10.0	–	ns
$t_{ACE}$	$\overline{CE}_1$ LOW and $CE_2$ HIGH to data valid / $\overline{CE}_1$ LOW to ERR valid	–	55.0	ns
$t_{DOE}$	$\overline{OE}$ LOW to data valid / $\overline{OE}$ LOW to ERR valid	–	25.0	ns
$t_{LZOE}$	$\overline{OE}$ LOW to low Z <sup>[19, 20]</sup>	5.0	–	ns
$t_{HZOE}$	$\overline{OE}$ HIGH to High-Z <sup>[19, 20, 21]</sup>	–	18.0	ns
$t_{LZCE}$	$\overline{CE}_1$ LOW and $CE_2$ HIGH to low Z <sup>[19, 20]</sup>	10.0	–	ns
$t_{HZCE}$	$\overline{CE}_1$ HIGH and $CE_2$ LOW to High-Z <sup>[19, 20, 21]</sup>	–	18.0	ns
$t_{PU}$	$\overline{CE}_1$ LOW and $CE_2$ HIGH to power-up <sup>[22]</sup>	0.0	–	ns
$t_{PD}$	$\overline{CE}_1$ HIGH and $CE_2$ LOW to power-down <sup>[22]</sup>	–	55.0	ns
$t_{DBE}$	BLE / BHE LOW to data valid	–	55.0	ns
$t_{LZBE}$	BLE / $\overline{BHE}$ LOW to low Z <sup>[19]</sup>	5.0	–	ns
$t_{HZBE}$	$\overline{BLE}$ / $\overline{BHE}$ HIGH to High-Z <sup>[19, 21]</sup>	–	18.0	ns
<b>Write Cycle <sup>[23, 24]</sup></b>				
$t_{WC}$	Write cycle time	55.0	–	ns
$t_{SCE}$	$\overline{CE}_1$ LOW and $CE_2$ HIGH to write end	40.0	–	ns
$t_{AW}$	Address setup to write end	40.0	–	ns
$t_{HA}$	Address hold from write end	0	–	ns
$t_{SA}$	Address setup to write start	0	–	ns
$t_{PWE}$	$\overline{WE}$ pulse width	40.0	–	ns
$t_{BW}$	$\overline{BLE}$ / $\overline{BHE}$ LOW to write end	40.0	–	ns
$t_{SD}$	Data setup to write end	25.0	–	ns
$t_{HD}$	Data hold from write end	0.0	–	ns
$t_{HZWE}$	$\overline{WE}$ LOW to High-Z <sup>[19, 20, 21]</sup>	–	18.0	ns
$t_{LZWE}$	$\overline{WE}$ HIGH to low Z <sup>[19, 20]</sup>	10.0	–	ns

### Notes

18. Test conditions assume signal transition time (rise/fall) of 3 ns or less, timing reference levels of 1.5 V (for  $V_{CC} \geq 3$  V) and  $V_{CC}/2$  (for  $V_{CC} < 3$  V), and input pulse levels of 0 to 3 V (for  $V_{CC} \geq 3$  V) and 0 to  $V_{CC}$  (for  $V_{CC} < 3$  V). Test conditions for the read cycle use the output loading shown in Figure 2 on page 6, unless specified otherwise.
19. At any temperature and voltage condition,  $t_{HZOE}$  is less than  $t_{LZCE}$ ,  $t_{HZBE}$  is less than  $t_{LZBE}$ ,  $t_{HZOE}$  is less than  $t_{LZOE}$ , and  $t_{HZWE}$  is less than  $t_{LZWE}$  for any device.
20. Tested initially and after any design or process changes that may affect these parameters.
21.  $t_{HZOE}$ ,  $t_{HZCE}$ ,  $t_{HZBE}$ , and  $t_{HZWE}$  transitions are measured when the outputs enter a high-impedance state.
22. These parameters are guaranteed by design and are not tested.
23. The internal write time of the memory is defined by the overlap of  $\overline{WE} = V_{IL}$ ,  $\overline{CE}_1 = V_{IL}$ ,  $\overline{BHE}$  or  $\overline{BLE}$  or both =  $V_{IL}$ , and  $CE_2 = V_{IH}$ . All signals must be ACTIVE to initiate a write and any of these signals can terminate a write by going INACTIVE. The data input setup and hold timing must refer to the edge of the signal that terminates the write.
24. The minimum write cycle pulse width for Write Cycle No. 1 ( $\overline{WE}$  Controlled,  $\overline{OE}$  LOW) should be equal to the sum of  $t_{HZWE}$  and  $t_{SD}$ .



### Switching Waveforms

Figure 4. Read Cycle No. 1 of CY62187G30 (Address Transition Controlled) [25, 26]

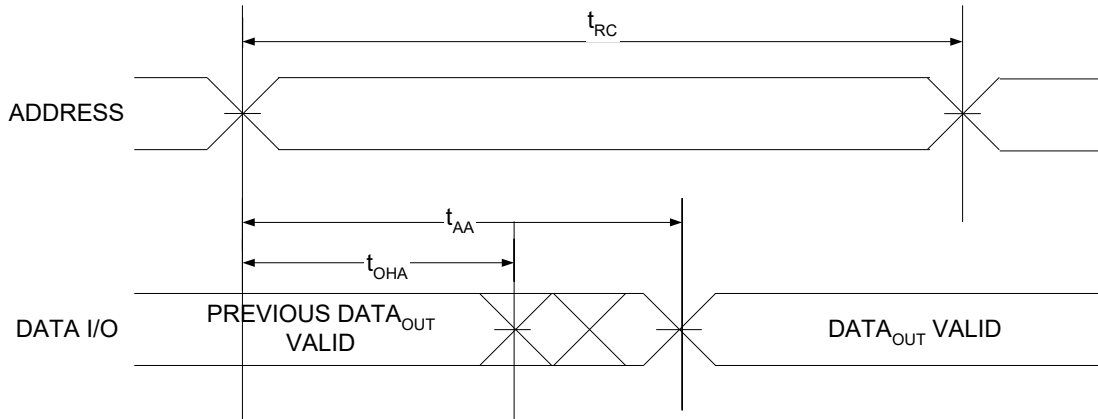
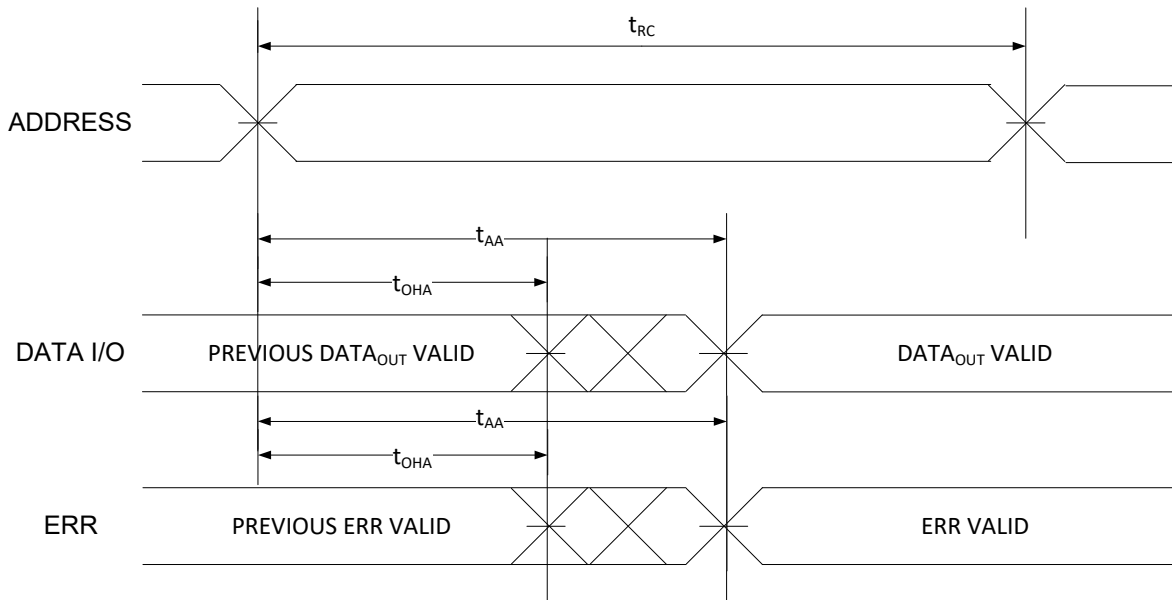


Figure 5. Read Cycle No. 1 of CY62177GE30 (Address Transition Controlled) [25, 26]



**Notes**

- 25. The device is continuously selected.  $\overline{OE} = V_{IL}$ ,  $\overline{CE} = V_{IL}$ ,  $\overline{BHE}$  or  $\overline{BLE}$ , or both =  $V_{IL}$ .
- 26.  $\overline{WE}$  is HIGH for read cycle.

Switching Waveforms (continued)

Figure 6. Read Cycle No. 2 ( $\overline{OE}$  Controlled) [27, 28, 29, 31]

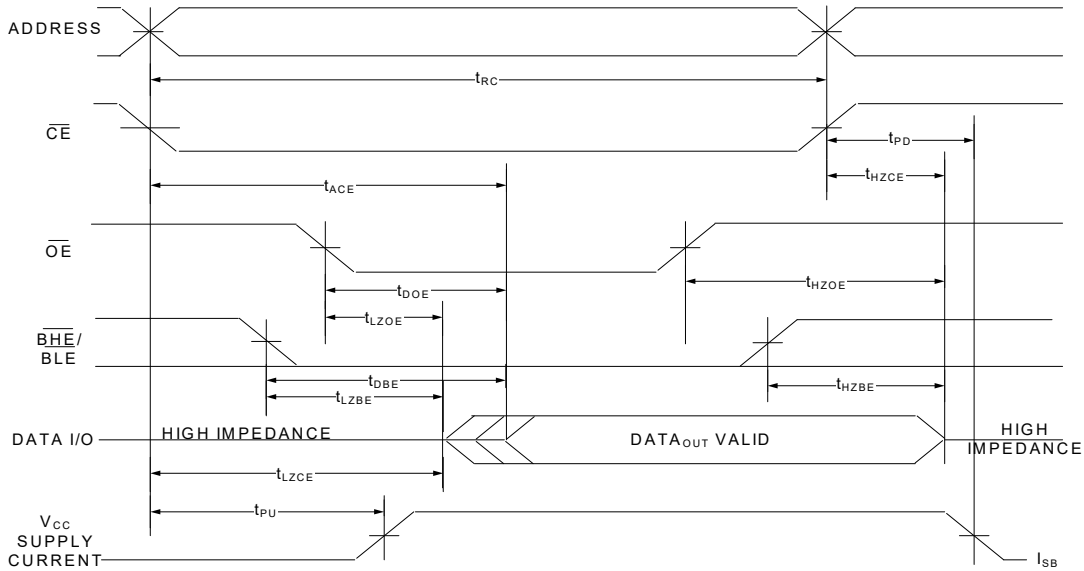
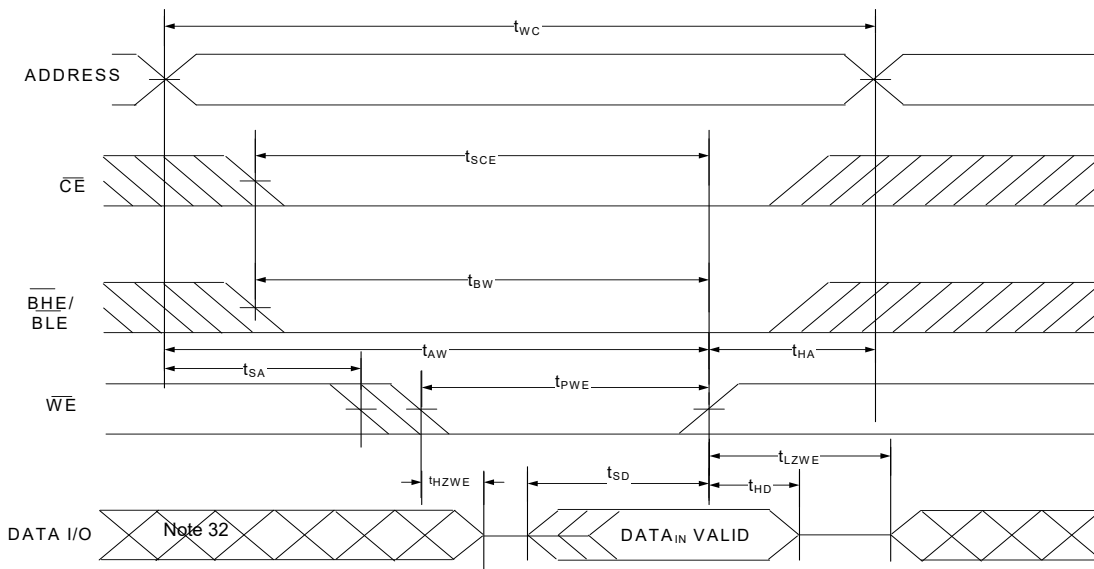


Figure 7. Write Cycle No. 1 ( $\overline{WE}$  Controlled,  $\overline{OE}$  LOW) [28, 30, 31, 32]

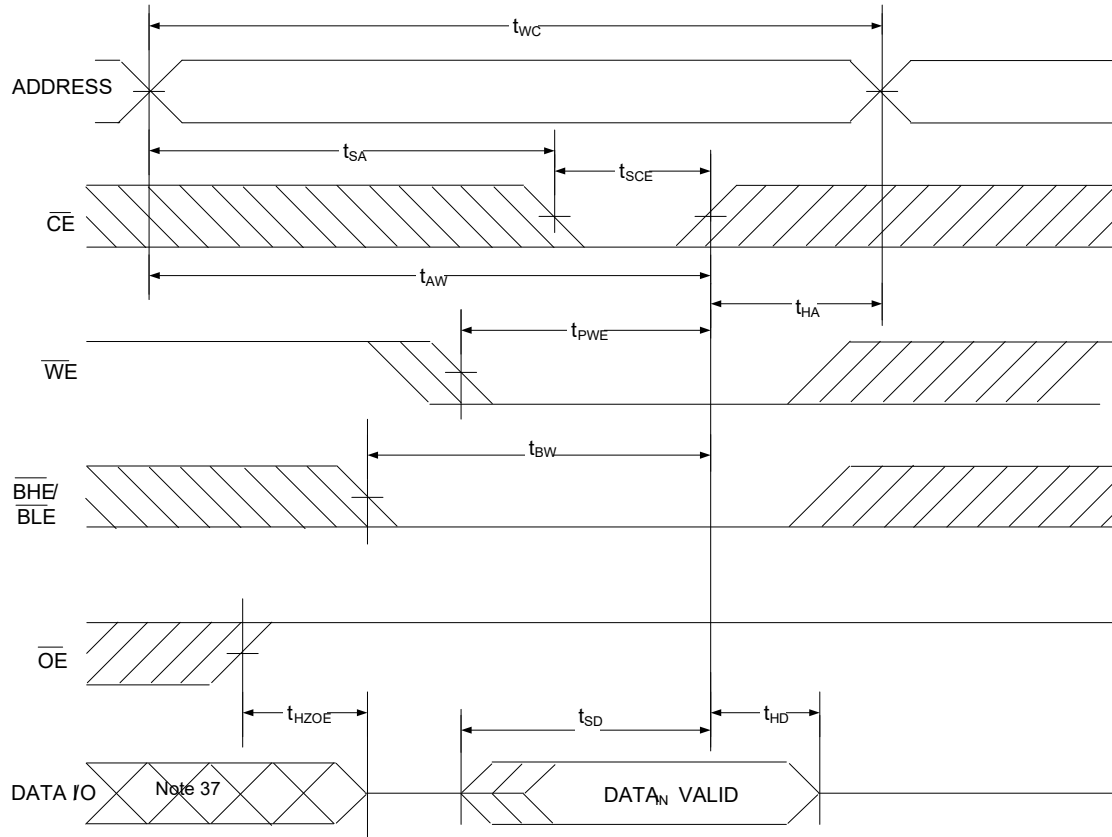


Notes

- 27.  $\overline{WE}$  is HIGH for read cycle.
- 28. For all Dual Chip Enable devices,  $\overline{CE}$  is the logical combination of  $\overline{CE}_1$  and  $CE_2$ . When  $\overline{CE}_1$  is LOW and  $CE_2$  is HIGH,  $\overline{CE}$  is LOW; when  $\overline{CE}_1$  is HIGH or  $CE_2$  is LOW,  $\overline{CE}$  is HIGH.
- 29. Address valid prior to or coincident with  $\overline{CE}$  LOW transition.
- 30. The internal write time of the memory is defined by the overlap of  $\overline{WE} = V_{IL}$ ,  $\overline{CE}_1 = V_{IL}$ ,  $\overline{BHE}$  or  $\overline{BLE}$ , or both =  $V_{IL}$ , and  $CE_2 = V_{IH}$ . All signals must be ACTIVE to initiate a write and any of these signals can terminate a write by going INACTIVE. The data input setup and hold timing must refer to the edge of the signal that terminates the write.
- 31. Data I/O is in the High-Z state if  $\overline{CE} = V_{IH}$ , or  $\overline{OE} = V_{IH}$ , or  $\overline{BHE}$ , and/or  $\overline{BLE} = V_{IH}$ .
- 32. During this period, the I/Os are in the output state. Do not apply input signals.
- 33. The minimum write cycle pulse width should be equal to the sum of  $t_{HZWE}$  and  $t_{SD}$ .

Switching Waveforms (continued)

Figure 8. Write Cycle No. 2 ( $\overline{CE}$  Controlled) [34, 35, 36]



Notes

- 34. For all Dual Chip Enable devices,  $\overline{CE}$  is the logical combination of  $\overline{CE}_1$  and  $CE_2$ . When  $\overline{CE}_1$  is LOW and  $CE_2$  is HIGH,  $\overline{CE}$  is LOW; when  $\overline{CE}_1$  is HIGH or  $CE_2$  is LOW,  $\overline{CE}$  is HIGH.
- 35. The internal write time of the memory is defined by the overlap of  $\overline{WE} = V_{IL}$ ,  $\overline{CE}_1 = V_{IL}$ ,  $\overline{BHE}$  or  $\overline{BLE}$  or both =  $V_{IL}$ , and  $CE_2 = V_{IH}$ . All signals must be ACTIVE to initiate a write. Any of these signals can terminate a write by going INACTIVE. The data input setup and hold timing must refer to the edge of the signal that terminates the write.
- 36. Data I/O is in the High-Z state if  $CE = V_{IH}$ , or  $OE = V_{IH}$ , or  $\overline{BHE}$ , and/or  $\overline{BLE} = V_{IH}$ .
- 37. During this period, the I/Os are in output state. Do not apply input signals.

Switching Waveforms (continued)

Figure 9. Write Cycle No. 4 ( $\overline{\text{BHE}}/\overline{\text{BLE}}$  Controlled,  $\overline{\text{OE}}$  LOW) [38, 39, 40]

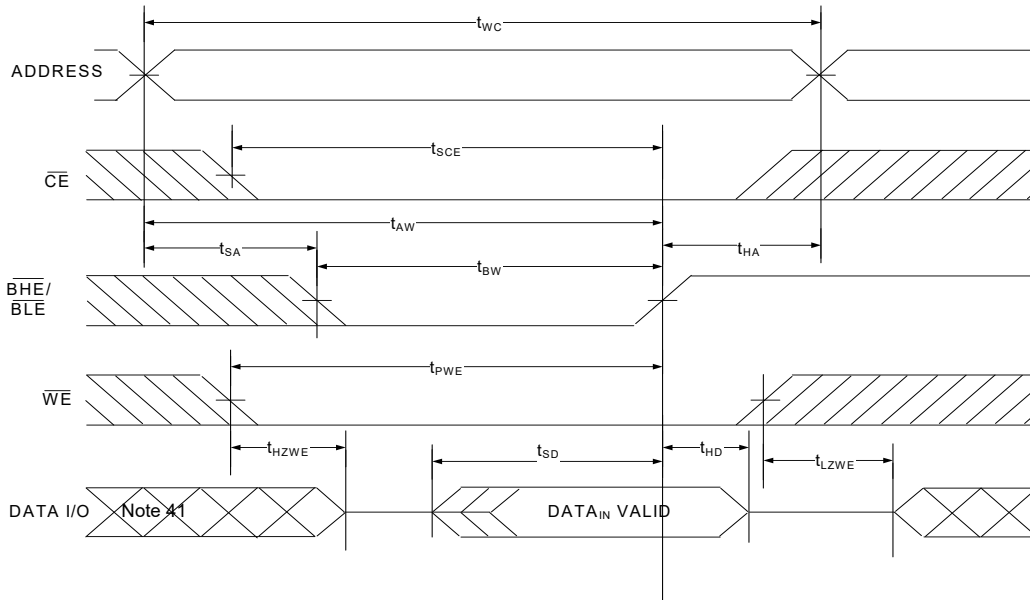
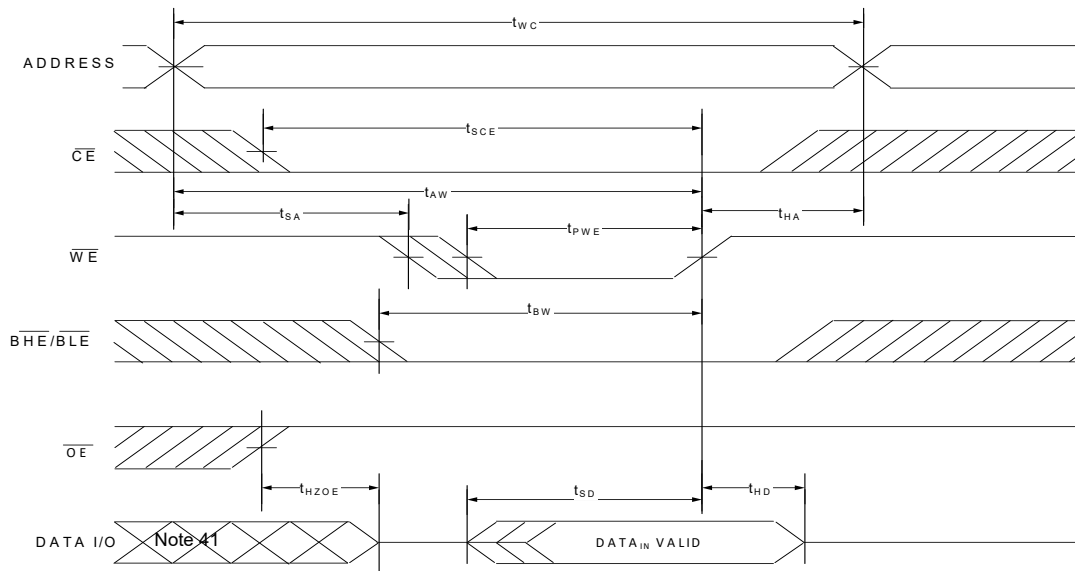


Figure 10. Write Cycle No. 5 ( $\overline{\text{WE}}$  Controlled) [38, 39, 40]



Notes

- 38. For all Dual Chip Enable devices,  $\overline{\text{CE}}$  is the logical combination of  $\overline{\text{CE}}_1$  and  $\text{CE}_2$ . When  $\overline{\text{CE}}_1$  is LOW and  $\text{CE}_2$  is HIGH,  $\overline{\text{CE}}$  is LOW; when  $\overline{\text{CE}}_1$  is HIGH or  $\text{CE}_2$  is LOW,  $\overline{\text{CE}}$  is HIGH.
- 39. The internal write time of the memory is defined by the overlap of  $\overline{\text{WE}} = V_{\text{IL}}$ ,  $\overline{\text{CE}}_1 = V_{\text{IL}}$ ,  $\overline{\text{BHE}}$  or  $\overline{\text{BLE}}$  or both =  $V_{\text{IL}}$ , and  $\text{CE}_2 = V_{\text{IH}}$ . All signals must be ACTIVE to initiate a write. Any of these signals can terminate a write by going INACTIVE. The data input setup and hold timing must refer to the edge of the signal that terminates the write.
- 40. Data I/O is in the High-Z state if  $\overline{\text{CE}} = V_{\text{IH}}$ , or  $\overline{\text{OE}} = V_{\text{IH}}$ , or  $\overline{\text{BHE}}$ , and/or  $\overline{\text{BLE}} = V_{\text{IH}}$ .
- 41. During this period, the I/Os are in output state. Do not apply input signals.

**Truth Table – CY62187G30**

$\overline{CE}_1$	$CE_2$	$\overline{WE}$	$\overline{OE}$	$\overline{BHE}$	$\overline{BLE}$	Inputs/Outputs	Mode	Power
H	X <sup>[42]</sup>	X	X	X	X	High-Z	Deselect/Power-down	Standby ( $I_{SB}$ )
X <sup>[42]</sup>	L	X	X	X	X	High-Z	Deselect/Power-down	Standby ( $I_{SB}$ )
X <sup>[42]</sup>	X <sup>[42]</sup>	X	X	H	H	High-Z	Deselect/Power-down	Standby ( $I_{SB}$ )
L	H	H	L	L	L	Data Out ( $I/O_0$ – $I/O_{15}$ )	Read	Active ( $I_{CC}$ )
L	H	H	L	H	L	Data Out ( $I/O_0$ – $I/O_7$ ); High-Z ( $I/O_8$ – $I/O_{15}$ )	Read	Active ( $I_{CC}$ )
L	H	H	L	L	H	High-Z ( $I/O_0$ – $I/O_7$ ); Data Out ( $I/O_8$ – $I/O_{15}$ )	Read	Active ( $I_{CC}$ )
L	H	H	H	L	H	High-Z	Output disabled	Active ( $I_{CC}$ )
L	H	H	H	H	L	High-Z	Output disabled	Active ( $I_{CC}$ )
L	H	H	H	L	L	High-Z	Output disabled	Active ( $I_{CC}$ )
L	H	L	X	L	L	Data In ( $I/O_0$ – $I/O_{15}$ )	Write	Active ( $I_{CC}$ )
L	H	L	X	H	L	Data In ( $I/O_0$ – $I/O_7$ ); High-Z ( $I/O_8$ – $I/O_{15}$ )	Write	Active ( $I_{CC}$ )
L	H	L	X	L	H	High-Z ( $I/O_0$ – $I/O_7$ ); Data In ( $I/O_8$ – $I/O_{15}$ )	Write	Active ( $I_{CC}$ )

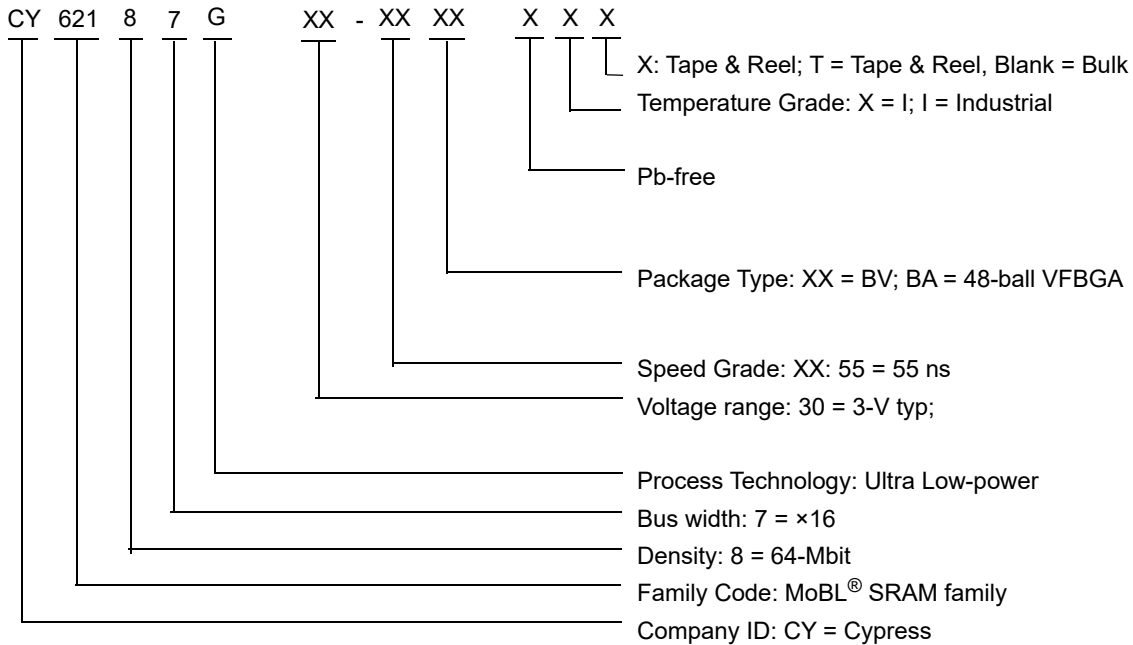
**Note**

42. The 'X' (Don't care) state for the Chip Enables refers to the logic state (either HIGH or LOW). Intermediate voltage levels on these pins are not permitted.

**Ordering Information**

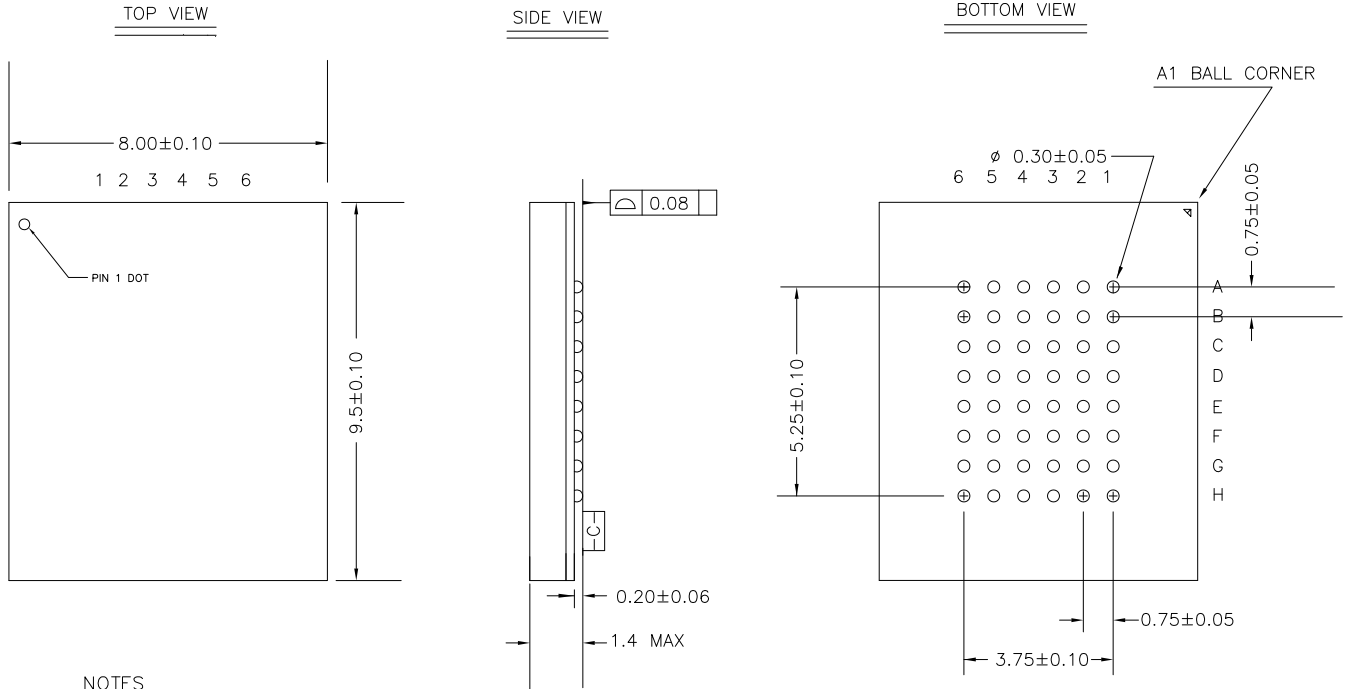
Speed (ns)	Voltage Range	Ordering Code	Package Diagram	Package Type (all Pb-free)	Key Features / Differentiators	Operating Range
55	2.2 V–3.6 V	CY62187G30-55BAXI	001-50044	48-ball VFBGA	Dual Chip Enable	Industrial
		CY62187G30-55BAXIT				

**Ordering Code Definitions**



**Package Diagram**

**Figure 11. 48L FBGA 8 × 9.5 × 1.4 MM BK48L Package Outline, 001-50044**



NOTES

1. REFERENCE JEDEC # MO-205
2. ALL DIMENSIONS ARE IN MILLIMETERS

001-50044 \*D

## Acronyms

**Table 1. Acronyms Used in this Document**

Acronym	Description
BHE	Byte High Enable
BLE	Byte Low Enable
CE	Chip Enable
CMOS	Complementary metal oxide semiconductor
I/O	Input/output
OE	Output Enable
SRAM	Static random access memory
TSOP	Thin small outline package
VFBGA	Very fine-pitch ball grid array
WE	Write Enable

## Document Conventions

### Units of Measure

**Table 2. Units of Measure**

Symbol	Unit of Measure
°C	degree Celsius
MHz	megahertz
μA	microampere
μs	microsecond
mA	milliampere
mm	millimeter
ns	nanosecond
Ω	ohm
%	percent
pF	picofarad
V	volt
W	watt



**Document History Page**

Document Title: CY62187G30 MoBL, 64-Mbit (4M words × 16-bit) Static RAM with Error-Correcting Code (ECC) Document Number: 002-24731			
Rev.	ECN	Submission Date	Description of Change
**	6270829	08/16/2018	New datasheet
*A	6714290	10/30/2019	Updated maximum standby current value in <a href="#">Features</a> , <a href="#">Product Portfolio</a> , and <a href="#">DC Electrical Characteristics</a> . Updated Icc maximum value in <a href="#">Product Portfolio</a> and <a href="#">DC Electrical Characteristics</a> . Updated Icc @ 1MHz maximum value in <a href="#">DC Electrical Characteristics</a> . Updated <a href="#">Data Retention Characteristics</a> . Added <a href="#">Thermal Resistance</a> values. Added <a href="#">Package Diagram</a> spec 001-50044.

## Sales, Solutions, and Legal Information

### Worldwide Sales and Design Support

Cypress maintains a worldwide network of offices, solution centers, manufacturer's representatives, and distributors. To find the office closest to you, visit us at [Cypress Locations](#).

#### Products

Arm® Cortex® Microcontrollers	<a href="http://cypress.com/arm">cypress.com/arm</a>
Automotive	<a href="http://cypress.com/automotive">cypress.com/automotive</a>
Clocks & Buffers	<a href="http://cypress.com/clocks">cypress.com/clocks</a>
Interface	<a href="http://cypress.com/interface">cypress.com/interface</a>
Internet of Things	<a href="http://cypress.com/iot">cypress.com/iot</a>
Memory	<a href="http://cypress.com/memory">cypress.com/memory</a>
Microcontrollers	<a href="http://cypress.com/mcu">cypress.com/mcu</a>
PSoC	<a href="http://cypress.com/psoc">cypress.com/psoc</a>
Power Management ICs	<a href="http://cypress.com/pmic">cypress.com/pmic</a>
Touch Sensing	<a href="http://cypress.com/touch">cypress.com/touch</a>
USB Controllers	<a href="http://cypress.com/usb">cypress.com/usb</a>
Wireless Connectivity	<a href="http://cypress.com/wireless">cypress.com/wireless</a>

#### PSoC® Solutions

[PSoC 1](#) | [PSoC 3](#) | [PSoC 4](#) | [PSoC 5LP](#) | [PSoC 6 MCU](#)

#### Cypress Developer Community

[Community](#) | [Projects](#) | [Video](#) | [Blogs](#) | [Training](#) | [Components](#)

#### Technical Support

[cypress.com/support](http://cypress.com/support)

© Cypress Semiconductor Corporation, 2018-2019. This document is the property of Cypress Semiconductor Corporation and its subsidiaries ("Cypress"). This document, including any software or firmware included or referenced in this document ("Software"), is owned by Cypress under the intellectual property laws and treaties of the United States and other countries worldwide. Cypress reserves all rights under such laws and treaties and does not, except as specifically stated in this paragraph, grant any license under its patents, copyrights, trademarks, or other intellectual property rights. If the Software is not accompanied by a license agreement and you do not otherwise have a written agreement with Cypress governing the use of the Software, then Cypress hereby grants you a personal, non-exclusive, nontransferable license (without the right to sublicense) (1) under its copyright rights in the Software (a) for Software provided in source code form, to modify and reproduce the Software solely for use with Cypress hardware products, only internally within your organization, and (b) to distribute the Software in binary code form externally to end users (either directly or indirectly through resellers and distributors), solely for use on Cypress hardware product units, and (2) under those claims of Cypress's patents that are infringed by the Software (as provided by Cypress, unmodified) to make, use, distribute, and import the Software solely for use with Cypress hardware products. Any other use, reproduction, modification, translation, or compilation of the Software is prohibited.

TO THE EXTENT PERMITTED BY APPLICABLE LAW, CYPRESS MAKES NO WARRANTY OF ANY KIND, EXPRESS OR IMPLIED, WITH REGARD TO THIS DOCUMENT OR ANY SOFTWARE OR ACCOMPANYING HARDWARE, INCLUDING, BUT NOT LIMITED TO, THE IMPLIED WARRANTIES OF MERCHANTABILITY AND FITNESS FOR A PARTICULAR PURPOSE. No computing device can be absolutely secure. Therefore, despite security measures implemented in Cypress hardware or software products, Cypress shall have no liability arising out of any security breach, such as unauthorized access to or use of a Cypress product. CYPRESS DOES NOT REPRESENT, WARRANT, OR GUARANTEE THAT CYPRESS PRODUCTS, OR SYSTEMS CREATED USING CYPRESS PRODUCTS, WILL BE FREE FROM CORRUPTION, ATTACK, VIRUSES, INTERFERENCE, HACKING, DATA LOSS OR THEFT, OR OTHER SECURITY INTRUSION (collectively, "Security Breach"). Cypress disclaims any liability relating to any Security Breach, and you shall and hereby do release Cypress from any claim, damage, or other liability arising from any Security Breach. In addition, the products described in these materials may contain design defects or errors known as errata which may cause the product to deviate from published specifications. To the extent permitted by applicable law, Cypress reserves the right to make changes to this document without further notice. Cypress does not assume any liability arising out of the application or use of any product or circuit described in this document. Any information provided in this document, including any sample design information or programming code, is provided only for reference purposes. It is the responsibility of the user of this document to properly design, program, and test the functionality and safety of any application made of this information and any resulting product. "High-Risk Device" means any device or system whose failure could cause personal injury, death, or property damage. Examples of High-Risk Devices are weapons, nuclear installations, surgical implants, and other medical devices. "Critical Component" means any component of a High-Risk Device whose failure to perform can be reasonably expected to cause, directly or indirectly, the failure of the High-Risk Device, or to affect its safety or effectiveness. Cypress is not liable, in whole or in part, and you shall and hereby do release Cypress from any claim, damage, or other liability arising from any use of a Cypress product as a Critical Component in a High-Risk Device. You shall indemnify and hold Cypress, its directors, officers, employees, agents, affiliates, distributors, and assigns harmless from and against all claims, costs, damages, and expenses, arising out of any claim, including claims for product liability, personal injury or death, or property damage arising from any use of a Cypress product as a Critical Component in a High-Risk Device. Cypress products are not intended or authorized for use as a Critical Component in any High-Risk Device except to the limited extent that (i) Cypress's published data sheet for the product explicitly states Cypress has qualified the product for use in a specific High-Risk Device, or (ii) Cypress has given you advance written authorization to use the product as a Critical Component in the specific High-Risk Device and you have signed a separate indemnification agreement.

Cypress, the Cypress logo, Spansion, the Spansion logo, and combinations thereof, WICED, PSoC, CapSense, EZ-USB, F-RAM, and Traveo are trademarks or registered trademarks of Cypress in the United States and other countries. For a more complete list of Cypress trademarks, visit [cypress.com](http://cypress.com). Other names and brands may be claimed as property of their respective owners.