



ON Semiconductor®

<http://onsemi.com>

LA6586FA

Monolithic Linear IC

BTL Driver Single-Phase Full-Wave Fan Motor Driver

Overview

The LA6586FA is Single-phase bipolar fan motor is put into silent driving by means of BTL output linear drive, offering high efficiency and power saving by suppressing the reactive current. Lock protection and rotation signal (FG, RD) circuits are built in, ensuring optimum application to small fans for notebook PC, consumer equipment power supply, car audio system, CPU cooler, etc. that require high reliability and low noise.

Functions

- Single-phase full-wave linear drive by BTL output (gain resistance 1k Ω -360k Ω , 51dB)
- Low-voltage operation possible, with wide operating voltage range (2.2 to 14.0V)
- Low saturation output (Upper + lower saturation voltage : Vosat (total)=1.2Vtyp, IO=200mA)
- Built-in lock protection and automatic reset circuits
- Built-in FG&RD outputs
- Thermal protection circuit
- Built-in Hall bias (VHB=1.3V)
- Extra-small package (Micro10)

Specifications

Absolute Maximum Ratings at Ta = 25 °C

Parameter	Symbol	Conditions	Ratings	Unit
Output voltage	V _{CC} max		15	V
Allowable power dissipation	Pd max	Mounted on a specified board*	400	mW
Output current	I _{OUT} max		0.6	A
Output withstand voltage	V _{OUT} max		15	V
RD/FG output pin output withstand voltage	VRD/FG max		15	V
RD/FG output current	IRD/FG max		10	mA
HB output current	IB max		10	mA
Operating temperature	T _{opr}		-30 to +90	°C
Storage temperature	T _{stg}		-55 to +150	°C

*Mounted on a specified board : 20mm×10mm×0.8mm, paper phenol

Caution 1) Absolute maximum ratings represent the value which cannot be exceeded for any length of time.

Caution 2) Even when the device is used within the range of absolute maximum ratings, as a result of continuous usage under high temperature, high current, high voltage, or drastic temperature change, the reliability of the IC may be degraded. Please contact us for the further details.

Stresses exceeding Maximum Ratings may damage the device. Maximum Ratings are stress ratings only. Functional operation above the Recommended Operating Conditions is not implied. Extended exposure to stresses above the Recommended Operating Conditions may affect device reliability.

LA6586FA

Recommended Operating Range at Ta = 25 °C

Parameter	Symbol	Conditions	Ratings	Unit
Supply voltage	V _{CC}		2.2 to 14.0	V
Common-phase input voltage range of Hall input	V _{ICM}		0 to V _{CC} -1.5	V

Electrical Characteristics at Ta = 25 °C, V_{CC} = 12 V

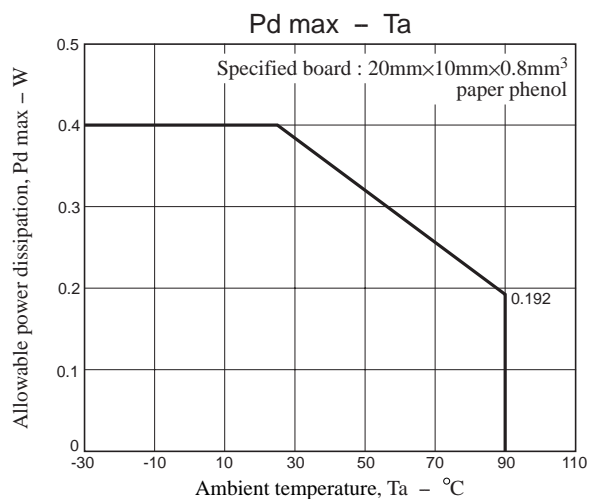
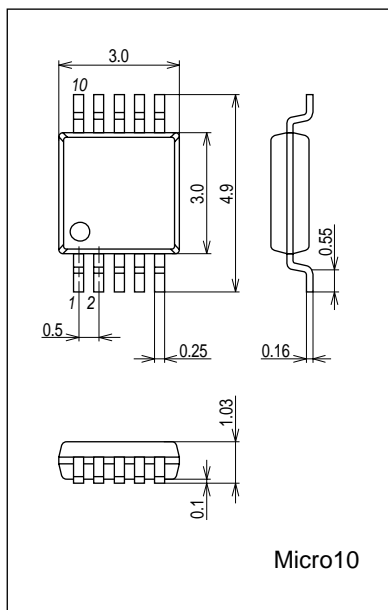
Parameter	Symbol	Conditions	Ratings			Unit
			min	typ	max	
Circuit current	I _{CC1}	During drive (CT = L)	3	6	9	mA
	I _{CC2}	During lock protection (CT = H)	2.5	5	7.5	mA
Lock detection capacitor charge current	I _{CT1}		0.9	1.2	1.5	μA
Capacitor discharge current	I _{CT2}		0.10	0.18	0.25	μA
Capacitor charge and discharge current ratio	RCT	RCT = I _{CT1} /I _{CT2}	5	6.5	8	-
CT charge voltage	V _{CT1}		1.3	1.5	1.7	V
CT discharge voltage	V _{CT2}		0.3	0.5	0.7	V
OUT output L saturation voltage	V _{OL}	I _O = 200 mA		0.25	0.45	V
OUT output H saturation voltage	V _{OH}	I _O = 200 mA		0.95	1.2	V
Input offset voltage	V _{OFST}			3	6	mV
Hall input sensitivity	V _{HN}	Zero peak value (including offset and hysteresis)		7	15	mV
Hall bias output L voltage	V _{HB}	I _{HB} = 5 mA	1.3	1.5	1.7	V
RD/FG input pin L voltage	V _{FG}	I _{RD/FG} = 5 mA		0.15	0.3	V
RD/FG input pin leak current	I _{FGL}	V _{RD/FG} = 15 V		1	30	μA
Overheat protection circuit	TSD	(*1) Designed target value	150	180	210	°C

(*1) The standard is a design target and the measurement with a single unit is not made.

Package Dimensions

unit : mm

3428

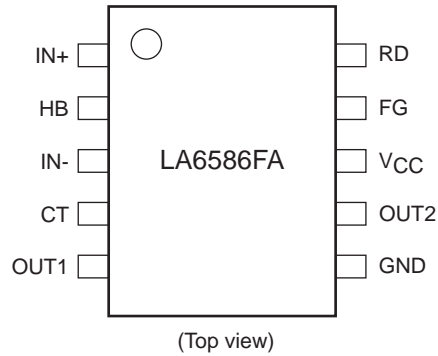


LA6586FA

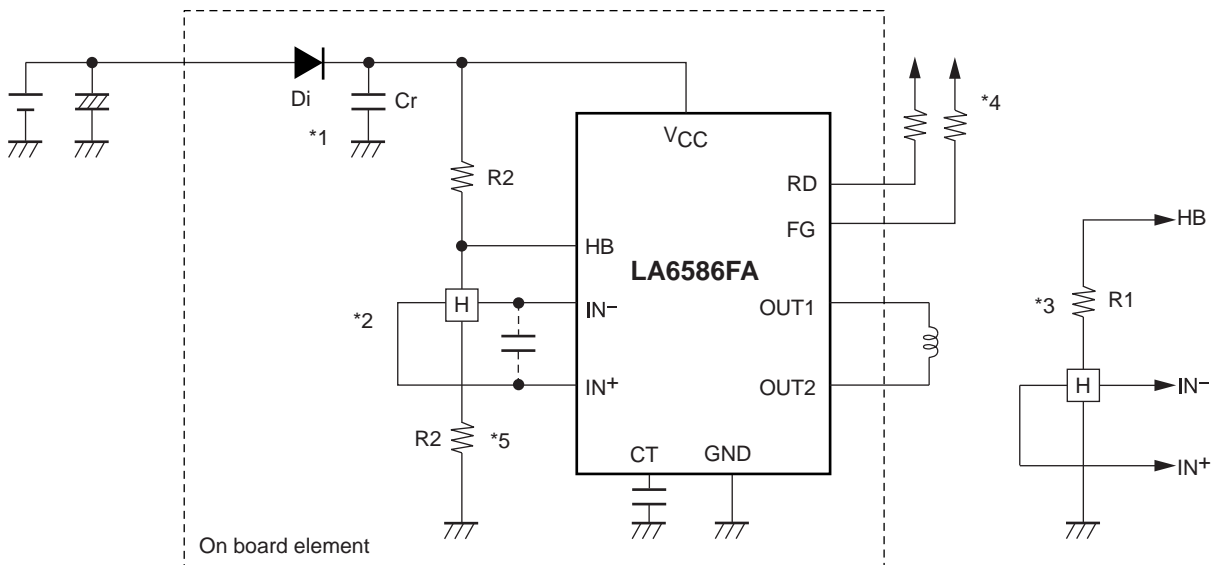
Truth Table

IN-	IN+	CT	OUT1	OUT2	FG	RD	Mode
H	L	L	H	L	L	L	During rotation
L	H		L	H	H		
-	-	H	OFF	OFF	-	H	During overhear protection

Pin Assignment



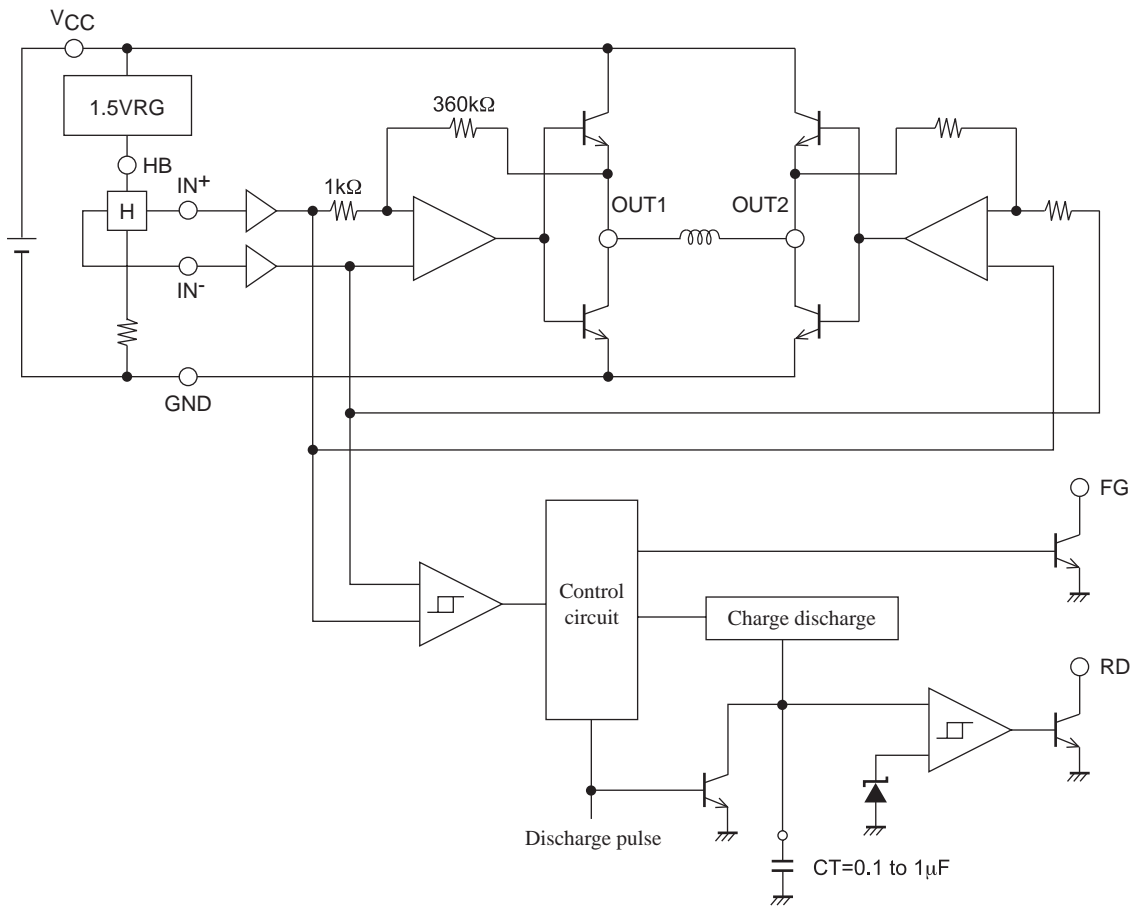
Sample Application Circuit



- *1 To enhance the reliability, it is necessary to insert a capacitor Cr to secure the regenerative current route.
- *2 To obtain Hall bias from VCC, carry out $1/2 \times V_{CC}$ bias as shown in the figure. Linear driving is made through voltage control of the coil by amplifying the Hall output. When the Hall element output is large, the startup performance and efficiency are improved. Adjustment of the Hall element can reduce the noise further.
- *3 To obtain Hall bias from the HB pin, carry out constant-voltage bias at about 1.5 V, which enables the Hall element to generate the stable Hall output satisfactory in temperature characteristics. The Hall output amplitude is adjusted with R1. (In the case of $V_{CC} = 12$ V, *2 proves advantageous in terms of heat generation in IC.)
- *4 Keep this open when not used.
- *5 When the wiring from the Hall output to IC Hall input is long, noise may be carried through the wiring. In this case, insert the capacitor as shown in the figure.

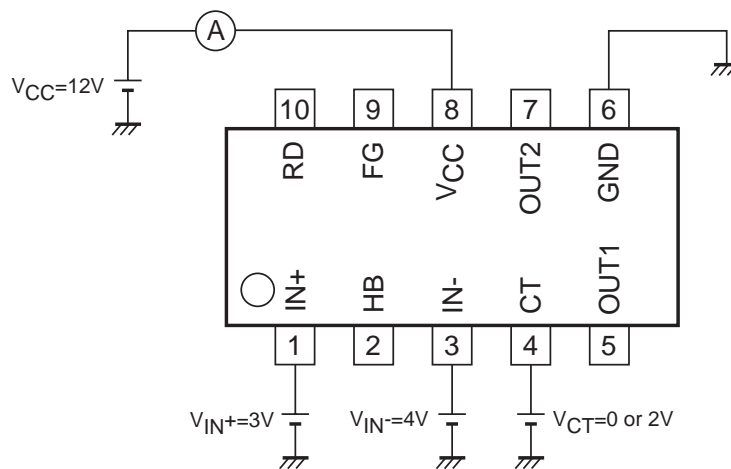
LA6586FA

Internal Equivalent Circuit



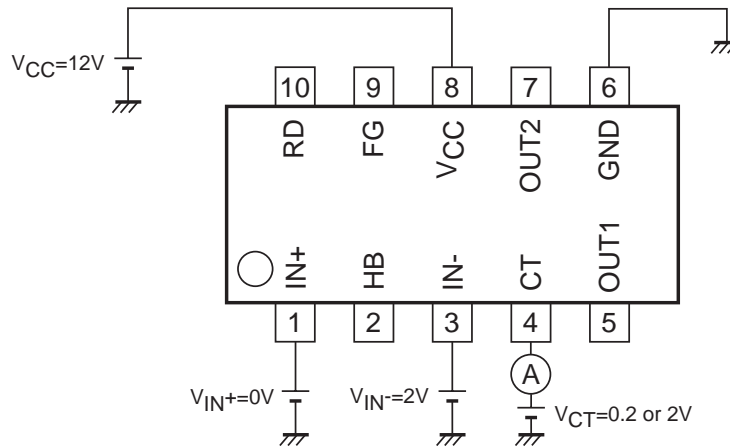
Test Circuit Diagram

Input current (I_{CC})

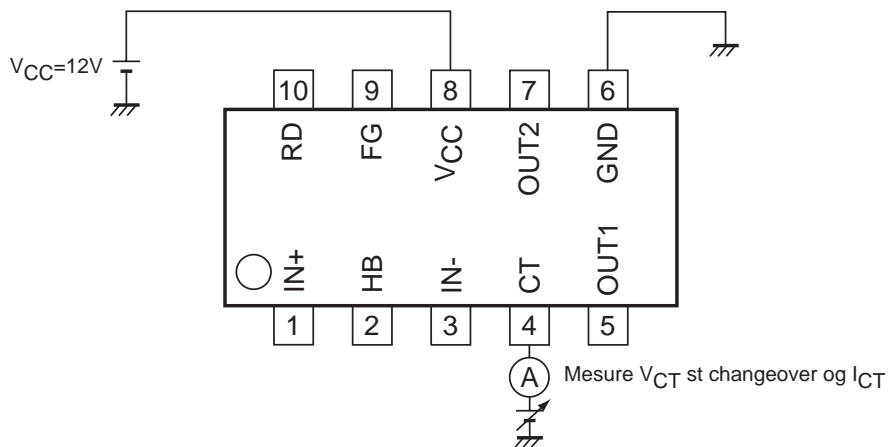


LA6586FA

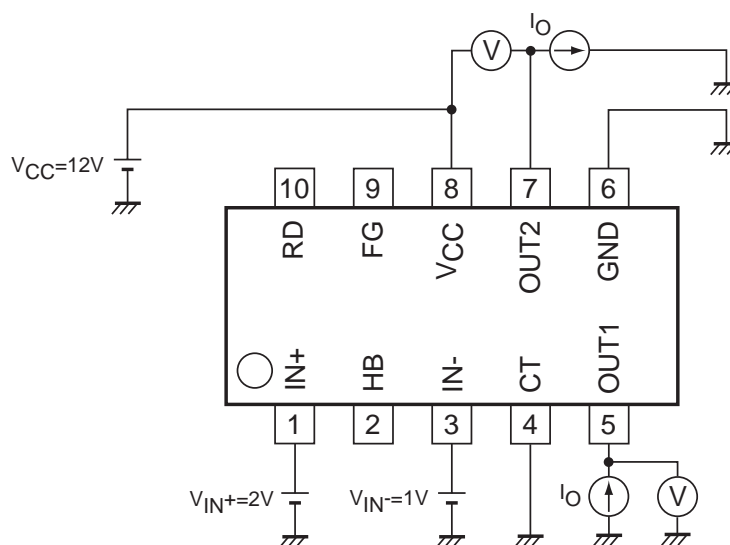
CT pin charge/discharge current (I_{CT})



CT pin charge/discharge voltage (V_{CT})

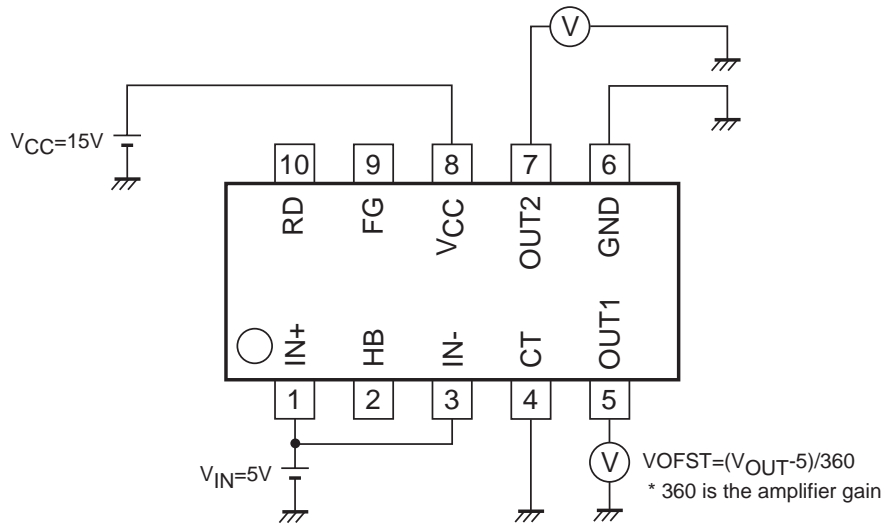


OUT output saturation voltage (V_{OL} , V_{OH})

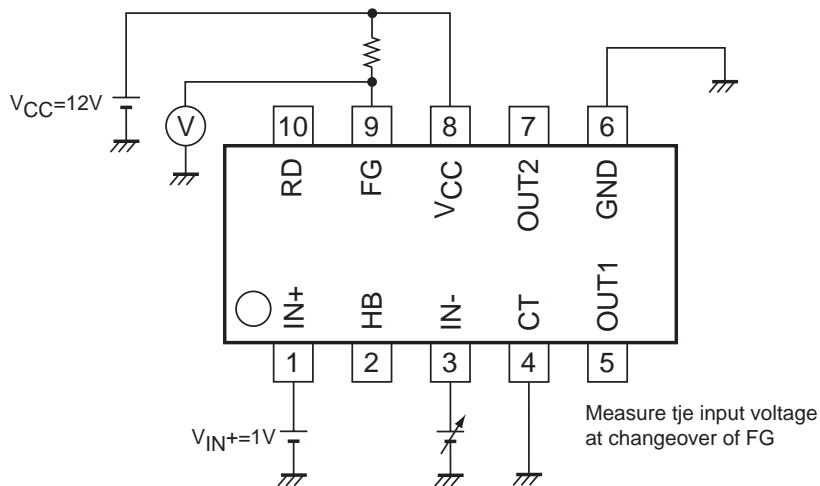


LA6586FA

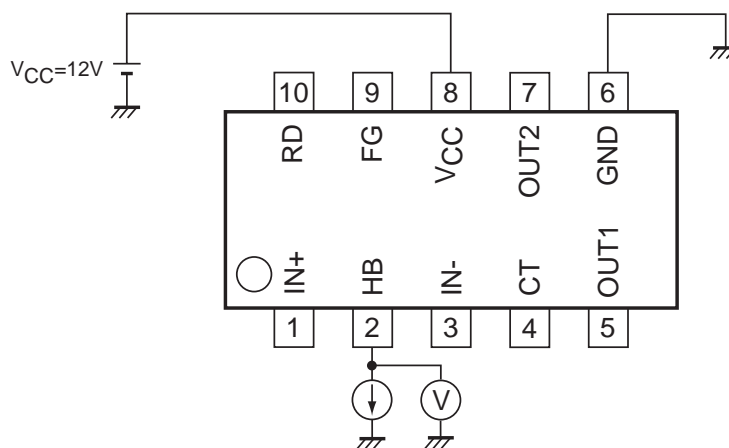
Input offset voltage (VOFST)



Hall input sensitivity (VHN)

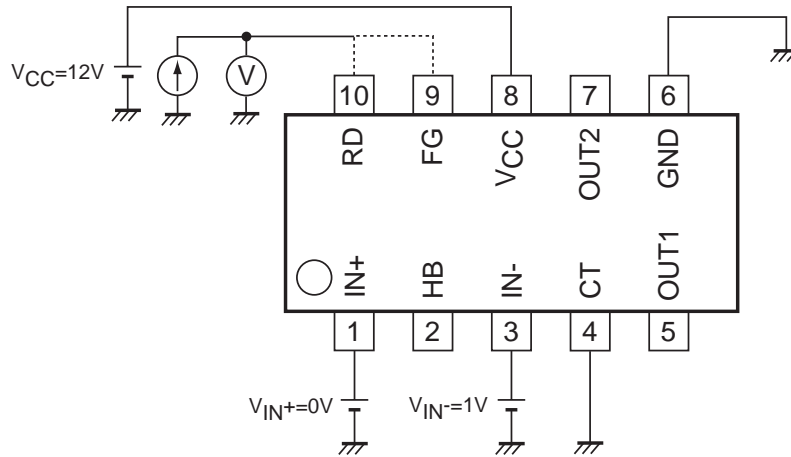


Hall bias output voltage (VHB)

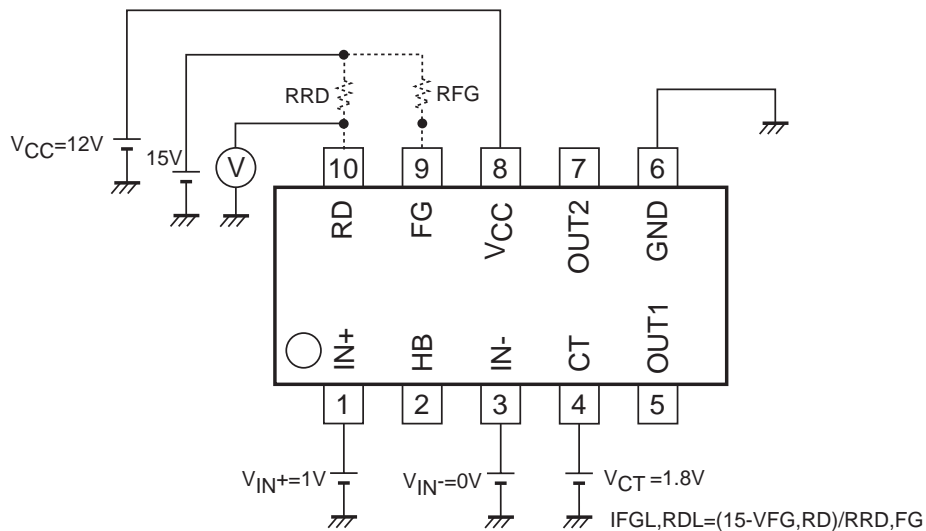


LA6586FA

FG, RD input pin L voltage (VFG, RD)



FG, RD input pin leakage current (IFGL, RDL)



ON Semiconductor and the ON logo are registered trademarks of Semiconductor Components Industries, LLC (SCILLC). SCILLC owns the rights to a number of patents, trademarks, copyrights, trade secrets, and other intellectual property. A listing of SCILLC's product/patent coverage may be accessed at www.onsemi.com/site/pdf/Patent-Marking.pdf. SCILLC reserves the right to make changes without further notice to any products herein. SCILLC makes no warranty, representation or guarantee regarding the suitability of its products for any particular purpose, nor does SCILLC assume any liability arising out of the application or use of any product or circuit, and specifically disclaims any and all liability, including without limitation special, consequential or incidental damages. "Typical" parameters which may be provided in SCILLC data sheets and/or specifications can and do vary in different applications and actual performance may vary over time. All operating parameters, including "Typicals" must be validated for each customer application by customer's technical experts. SCILLC does not convey any license under its patent rights nor the rights of others. SCILLC products are not designed, intended, or authorized for use as components in systems intended for surgical implant into the body, or other applications intended to support or sustain life, or for any other application in which the failure of the SCILLC product could create a situation where personal injury or death may occur. Should Buyer purchase or use SCILLC products for any such unintended or unauthorized application, Buyer shall indemnify and hold SCILLC and its officers, employees, subsidiaries, affiliates, and distributors harmless against all claims, costs, damages, and expenses, and reasonable attorney fees arising out of, directly or indirectly, any claim of personal injury or death associated with such unintended or unauthorized use, even if such claim alleges that SCILLC was negligent regarding the design or manufacture of the part. SCILLC is an Equal Opportunity/Affirmative Action Employer. This literature is subject to all applicable copyright laws and is not for resale in any manner.