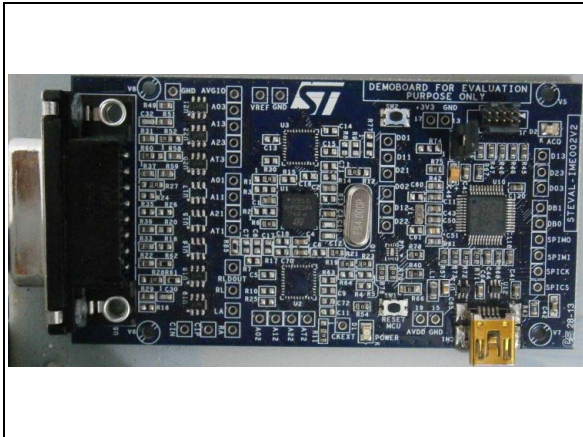


Single-lead electrocardiogram (ECG) and body impedance evaluation board

Data brief



Features

- Provides full access to all HM301D features through a graphical user interface (GUI)
- Utilizes the STM32F103CBT6 low power high performance 32-bit microcontroller powered by ARM® Cortex™-M3
- The ESDALCL6-2SC6 provides ESD protection with very low capacitance
- 19 debug test points to interact electrically with the ICs mounted on the board
- DB-15 patient simulator connector facilitate its use on the user's test bed
- Device firmware upgrade (DFU) procedure to easy upgrade the STM32 firmware
- RoHS compliant

Description

The STEVAL-IME002V2 is a product evaluation board designed around the new HM301D diagnostic-quality analog front end for bio-electric sensors and bio-impedance measurements.

The board is designed to demonstrate the performance of the HM301D in a single-lead ECG system, such as automated external defibrillator (AED), portable ECG, fitness and heart rate monitoring.

It hosts a 32-bit microcontroller from the STM32 family, which manages the SPI protocol of the HM301D and USB communication to/from a PC.

Any board can be used with dedicated PC software GUI to demonstrate all of the various configurations.

1 Schematic diagrams

Figure 1. STEVAL-IME002V2 circuit schematic (1 of 6)

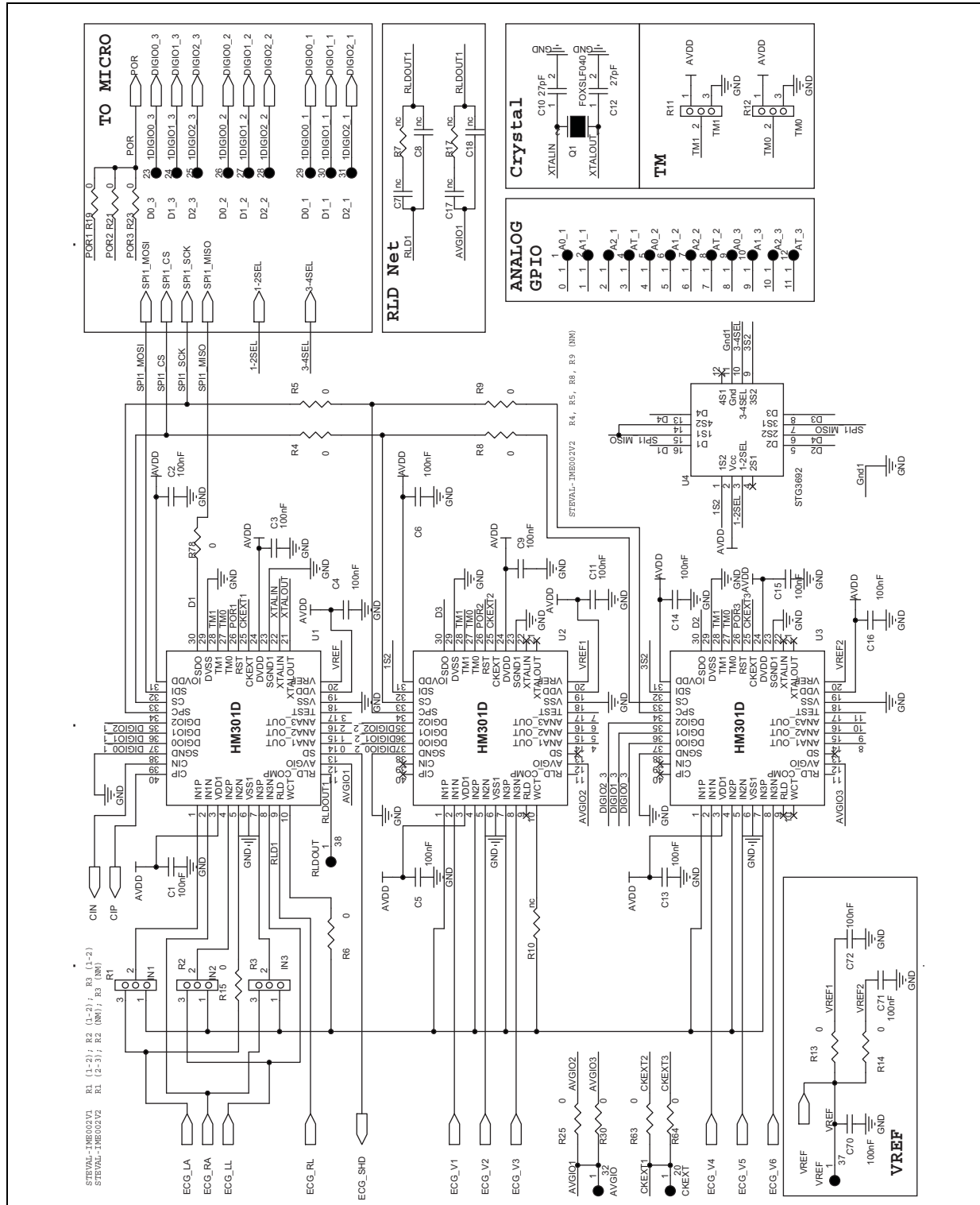


Figure 2. STEVAL-IME002V2 circuit schematic (2 of 6)

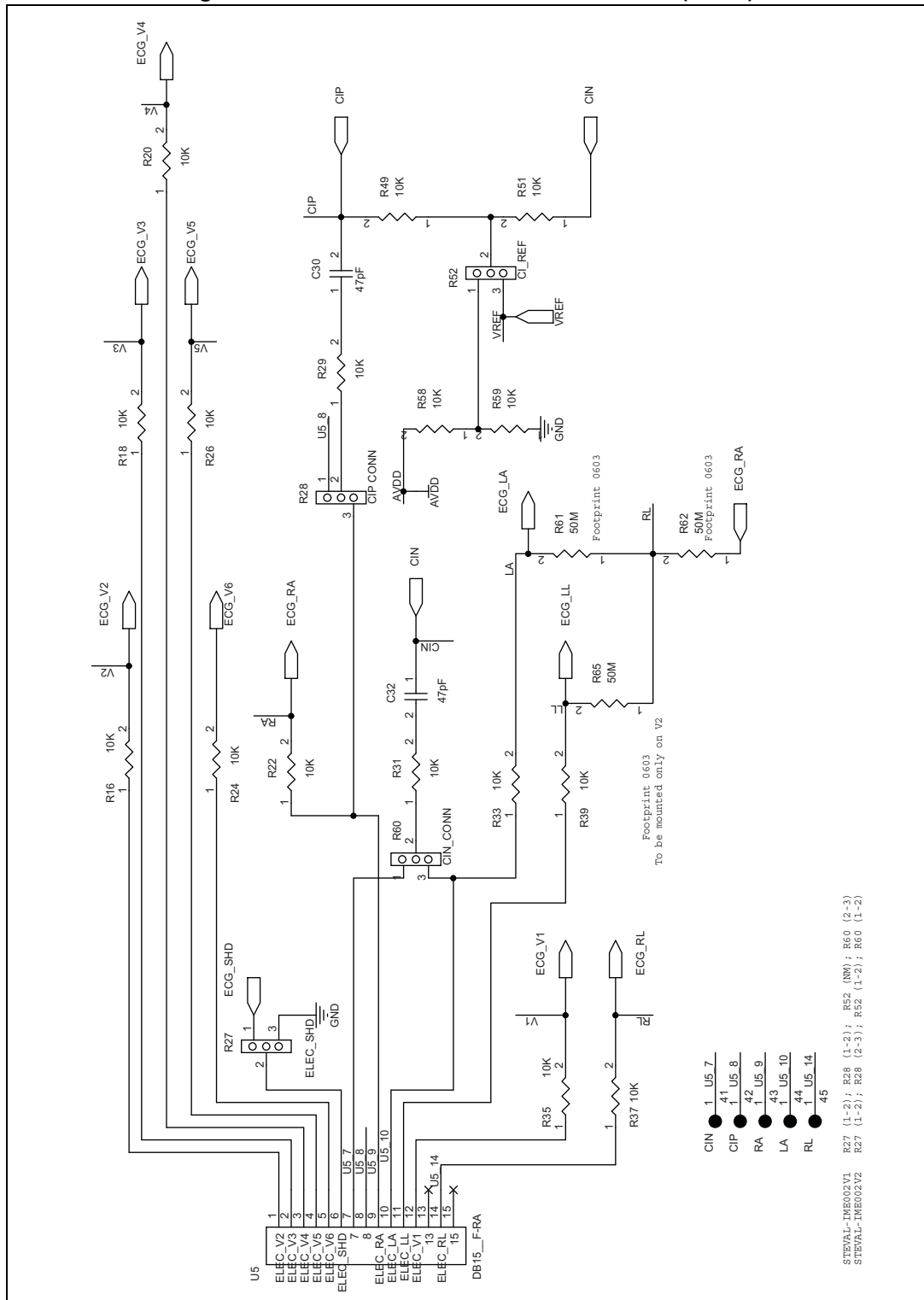


Figure 3. STEVAL-IME002V2 circuit schematic (3 of 6)

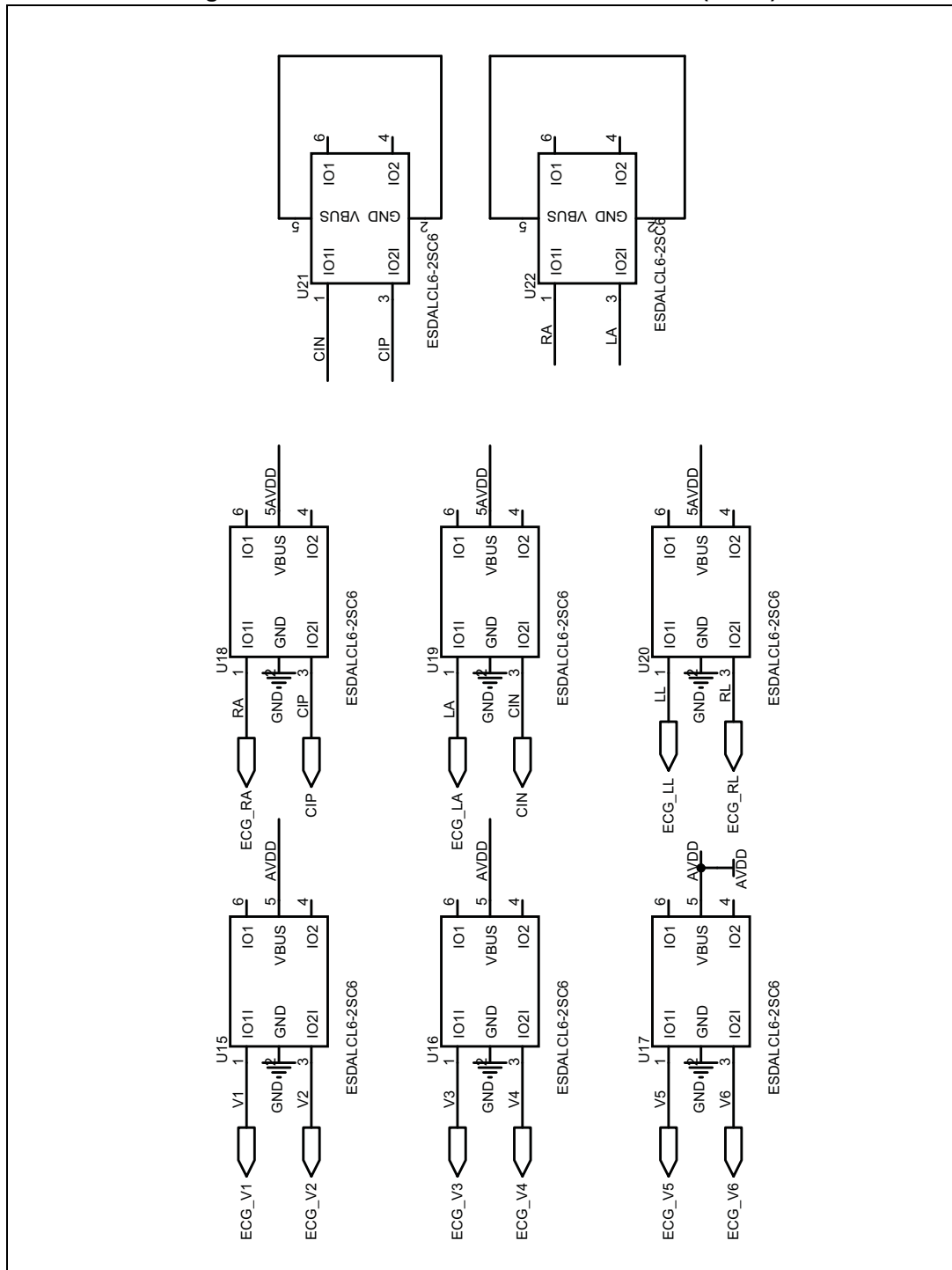


Figure 4. STEVAL-IME002V2 circuit schematic (4 of 6)

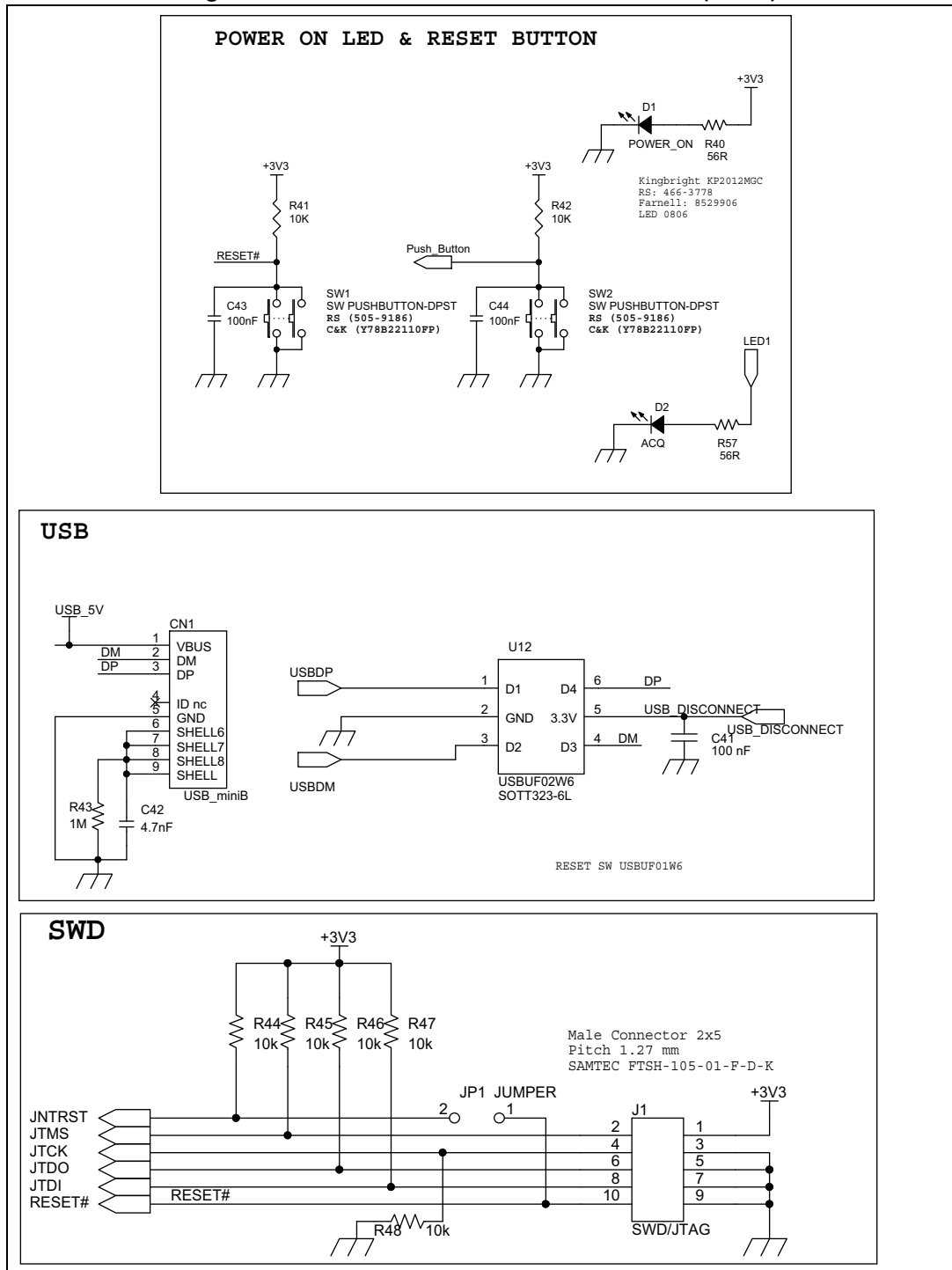


Figure 5. STEVAL-IME002V2 circuit schematic (5 of 6)

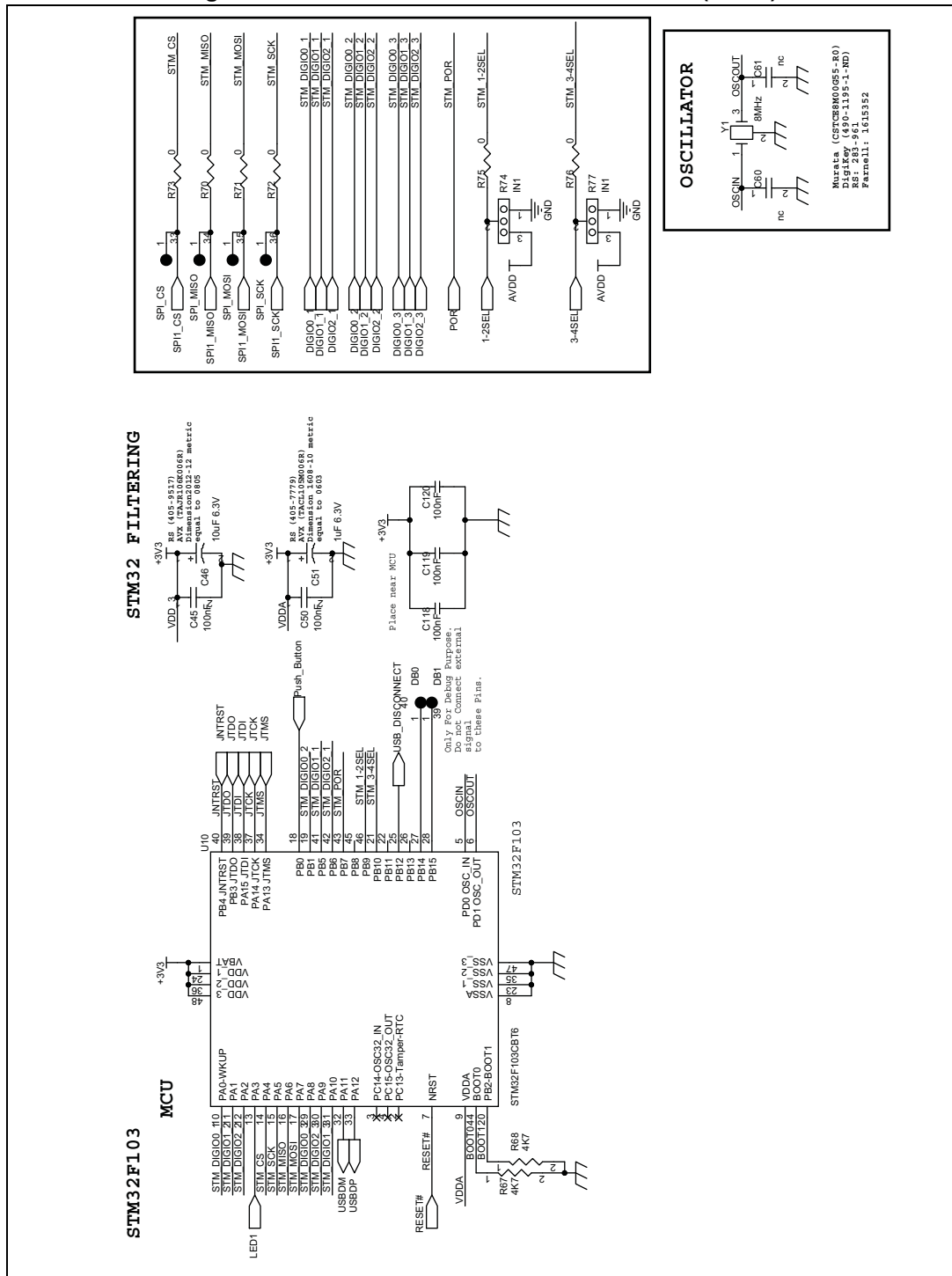
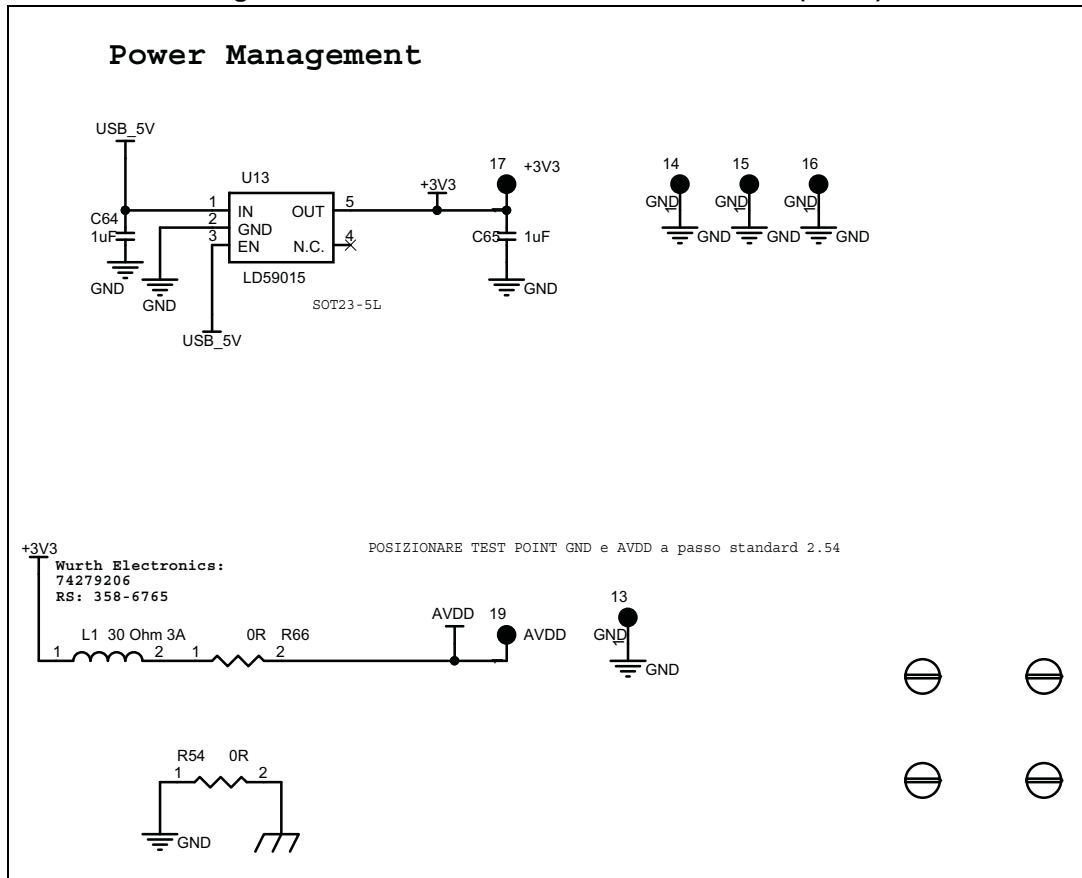


Figure 6. STEVAL-IME002V2 circuit schematic (6 of 6)



2 Revision history

Table 1. Document revision history

Date	Revision	Changes
06-May-2014	1	Initial release.

Please Read Carefully:

Information in this document is provided solely in connection with ST products. STMicroelectronics NV and its subsidiaries ("ST") reserve the right to make changes, corrections, modifications or improvements, to this document, and the products and services described herein at any time, without notice.

All ST products are sold pursuant to ST's terms and conditions of sale.

Purchasers are solely responsible for the choice, selection and use of the ST products and services described herein, and ST assumes no liability whatsoever relating to the choice, selection or use of the ST products and services described herein.

No license, express or implied, by estoppel or otherwise, to any intellectual property rights is granted under this document. If any part of this document refers to any third party products or services it shall not be deemed a license grant by ST for the use of such third party products or services, or any intellectual property contained therein or considered as a warranty covering the use in any manner whatsoever of such third party products or services or any intellectual property contained therein.

UNLESS OTHERWISE SET FORTH IN ST'S TERMS AND CONDITIONS OF SALE ST DISCLAIMS ANY EXPRESS OR IMPLIED WARRANTY WITH RESPECT TO THE USE AND/OR SALE OF ST PRODUCTS INCLUDING WITHOUT LIMITATION IMPLIED WARRANTIES OF MERCHANTABILITY, FITNESS FOR A PARTICULAR PURPOSE (AND THEIR EQUIVALENTS UNDER THE LAWS OF ANY JURISDICTION), OR INFRINGEMENT OF ANY PATENT, COPYRIGHT OR OTHER INTELLECTUAL PROPERTY RIGHT.

ST PRODUCTS ARE NOT DESIGNED OR AUTHORIZED FOR USE IN: (A) SAFETY CRITICAL APPLICATIONS SUCH AS LIFE SUPPORTING, ACTIVE IMPLANTED DEVICES OR SYSTEMS WITH PRODUCT FUNCTIONAL SAFETY REQUIREMENTS; (B) AERONAUTIC APPLICATIONS; (C) AUTOMOTIVE APPLICATIONS OR ENVIRONMENTS, AND/OR (D) AEROSPACE APPLICATIONS OR ENVIRONMENTS. WHERE ST PRODUCTS ARE NOT DESIGNED FOR SUCH USE, THE PURCHASER SHALL USE PRODUCTS AT PURCHASER'S SOLE RISK, EVEN IF ST HAS BEEN INFORMED IN WRITING OF SUCH USAGE, UNLESS A PRODUCT IS EXPRESSLY DESIGNATED BY ST AS BEING INTENDED FOR "AUTOMOTIVE, AUTOMOTIVE SAFETY OR MEDICAL" INDUSTRY DOMAINS ACCORDING TO ST PRODUCT DESIGN SPECIFICATIONS. PRODUCTS FORMALLY ESCC, QML OR JAN QUALIFIED ARE DEEMED SUITABLE FOR USE IN AEROSPACE BY THE CORRESPONDING GOVERNMENTAL AGENCY.

Resale of ST products with provisions different from the statements and/or technical features set forth in this document shall immediately void any warranty granted by ST for the ST product or service described herein and shall not create or extend in any manner whatsoever, any liability of ST.

ST and the ST logo are trademarks or registered trademarks of ST in various countries.

Information in this document supersedes and replaces all information previously supplied.

The ST logo is a registered trademark of STMicroelectronics. All other names are the property of their respective owners.

© 2014 STMicroelectronics - All rights reserved

STMicroelectronics group of companies

Australia - Belgium - Brazil - Canada - China - Czech Republic - Finland - France - Germany - Hong Kong - India - Israel - Italy - Japan - Malaysia - Malta - Morocco - Philippines - Singapore - Spain - Sweden - Switzerland - United Kingdom - United States of America

www.st.com

