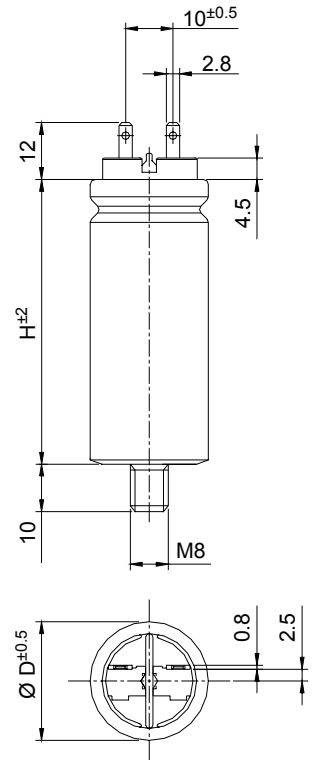


**TECHNICAL DATA**

General technical data	VDE 0560 - IEC61071 - EN61071
Application class ( DIN 40040 )	GPD / LS
Temperature range ( Case )	-40 to + 85 °C
Max permissible ambient temperature	+70 °C
Capacitance tolerance code ( 15 <sup>th</sup> digit )	J = ± 5% ; K = ± 10%
Peak non-repetitive max current	$I_{PKR} \times 1.5$
Test voltage terminal to case $U_{TT}$	$1.5 U_{RMS}$ for 60 seconds
Test voltage terminal to case $U_{TC}$	$3kV_{DC}$ 50Hz for 60 seconds
Rated insulation voltage $U_i$	700 V – 50 HZ – Insulation group B ( VDE 0110 part 1 )
Dissipation factor ( $tg\delta$ )	$\leq 5 \times 10^{-4}$ at 1 kHz and 20 °C
Permissible relative humidity	Annual average $\leq 95\%$ on 30 days / year, continuously 100% on other days occasionally 100%. Dewing not admissible
IEC climatic category	40 / 85 / 21
Degree of protection	IP00
Capacitance deviation in the operating temperature range of -40 to +85 °C	$\pm 1.5\%$ max on capacitance value measured at +20 °C
Change of capacitance versus operating time	-3% after 30.000 hours at $U_{RMS}$ or after 100.000 hours at $U_n$
Case components	Aluminium case plus plastic insulating deck flame retardant execution ( UL class 94 V1 ) .
Terminals	Tinned brass fastons or screws ( See figures on top )
Installation	Whatever Position
Life Expectancy	$\geq 30.000$ hours at $U_{RMS}$ ; $\geq 100.000$ hours at $U_n$
Failure quota	300 / $10^9$ components hour

**PEAK VOLTAGE TABLE**

Un Vdc	U <sub>PK</sub> Vdc	U <sub>RMS</sub> Vac
1200	1600	500
2000	2400	630

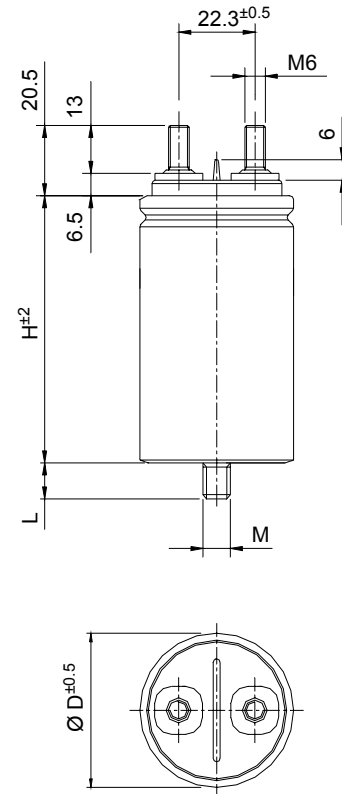


**GENERAL CHARACTERISTICS**

Codes	C µF	Un Vdc	Tgδ x 10 <sup>4</sup>		ESR Typ. mΩ	dv/dt V/µs	I <sub>RMS</sub> A	I <sub>PKR</sub> A	Case		Approx Weight g
			Max	Typ.					D	H	
C44BPF13100ZB0J	0.1	1200	5	2	25	500	4	50	25	60	35
C44BPF13150ZB0J	0.15	1200	5	2	24	500	4	75	25	60	35
C44BPF13220ZB0J	0.22	1200	5	2	23	500	5	120	25	60	35
C44BPF13330ZB0J	0.33	1200	5	2	16	500	6	165	25	60	35
C44BPF13470ZB0J	0.47	1200	5	2	10	500	6	235	25	60	35
C44BPF13680ZB0J	0.68	1200	5	2	9	500	6	340	35	60	70
C44BPF14100ZB0J	1	1200	5	2	4	500	6	500	35	60	70
C44BPF14150ZA0J	1.5	1200	5	2	3	500	6	750	45	60	100
C44BWF12470ZA0J	0.047	2000	5	2	30	750	4	35	25	60	35
C44BWF13100ZA0J	0.1	2000	5	2	27	750	5	75	25	60	35
C44BWF13150ZA0J	0.15	2000	5	2	26	750	6	113	25	60	35
C44BWF13220ZA0J	0.22	2000	5	2	25	750	6	165	35	60	70
C44BWF13330ZA0J	0.33	2000	5	2	20	750	6	250	35	60	70
C44BWF13470ZA0J	0.47	2000	5	2	15	750	6	350	40	60	85
C44BWF13680ZA0J	0.68	2000	5	2	10	750	6	510	45	60	100

**MECHANICAL CHARACTERISTICS**

Case	Brass screw terminals			Bolt		
D	Driving Torque Nm	Creepage Distance	Clearance In air	M	L	Driving Torque Nm
45	4	14	10	M 8	10	6
50	4	14	10	M 8	10	6
55	4	16	10	M 12	12.5	10
60	4	18	10	M 12	12.5	10
65	4	20	10	M 12	12.5	10
70	4	22	10	M 12	12.5	10



**PEAK VOLTAGE TABLE**

Un Vdc	U <sub>PK</sub> Vdc	U <sub>RMS</sub> Vac
2400	4000	1000

**GENERAL CHARACTERISTICS**

Codes	C µF	Un Vdc	U <sub>RMS</sub> Vac	tgδ x 10 <sup>-4</sup>		dv/dt V/µs	I <sub>RMS</sub> A	I <sub>PKR</sub> A	Case		Approx Weight g
				Max	Typ.				D	H	
C44BXFP3100ZA0J	0.1	2400	1000	5	2.5	500	5	50	45	78	135
C44BXFP3220ZC0J	0.22	2400	1000	5	2.5	500	5	110	45	78	135
C44BXGP3330ZC0J	0.33	2400	1000	5	2.5	500	6	165	55	78	220
C44BXFP3470ZA0J	0.47	2400	1000	5	2.5	500	10	235	45	105	180
C44BXFP4100ZB0J	1	2400	1000	5	2.5	500	15	500	50	100	200
C44BXFP4150ZA0J	1.5	2400	1000	5	2.5	500	18	750	50	135	280
C44BXGP4200ZA0J	2	2400	1000	5	2.5	500	22	1000	55	200	410
C44BXGP4250ZA0J	2.5	2400	1000	5	2.5	500	22	1250	55	200	410
C44BXGP4300ZA0J	3	2400	1000	5	2.5	500	25	1500	65	175	620
C44BXGP4400ZA0J	4	2400	1000	5	2.5	500	25	2000	65	200	650

Statements of suitability for certain applications are based on our knowledge of typical operating conditions for such applications, but are not intended to constitute – and we specifically disclaim – any warranty concerning suitability for a specific customer application or use. This Information is intended for use only by customers who have the requisite experience and capability to determine the correct products for their application. Any technical advice inferred from this Information or otherwise provided by us with reference to the use of our products is given gratis, and we assume no obligation or liability for the advice given or results obtained.