

Ceramic Disc Capacitors Class 1, 100 V (DC) Narrow Tolerance

FEATURES

- Low losses
- High stability
- High capacitance in small size
- Kinked (preferred) or straight leads.
- Lead (Pb)-free available.



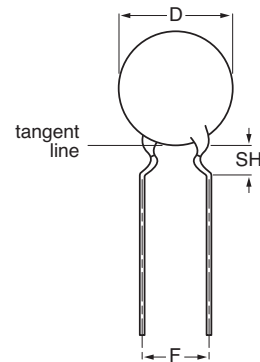
APPLICATIONS

- Bypassing
- Coupling
- Resonant circuit.

DESIGN

The capacitors consist of a ceramic disc both sides of which are silver-plated. Connection leads are made of tinned copper having a diameter of 0.6 mm.

The capacitors have inward kinked leads with a spacing of 5 mm (0.200") and a lead length from 4 to 30 mm. Encapsulation is made of phenolic resin.



Capacitors with 5 mm (0.20") lead spacing.

CAPACITANCE RANGE:

Class 1, at 1 MHz, 1.2 V (RMS); 1.5 to 560 pF
1 kHz, $1 \pm 0.2V$ (RMS) for capacitance values higher than 1000 pF.

RATED DC VOLTAGE:

100 V

DIELECTRIC STRENGTH:

250 % of rated voltage

INSULATION RESISTANCE AT 100V (DC):

$\geq 10\,000\ M\Omega$

TOLERANCE ON CAPACITANCE:

$\pm 0.25\ pF$; $\pm 0.5\ pF$; $\pm 2\ \%$

DISSIPATION FACTOR:

Class 1, $C \leq 30\ pF$; $\leq 20 \times (10/C + 0.7) \times 10^{-4}$ maximum

Class 1, $C > 30\ pF$; $\leq 20 \times 10^{-4}$

TEMPERATURE COEFFICIENTS:

Class 1 NP0; P100; N150; N750; N1500

SECTIONAL SPECIFICATIONS:

Class 1 IEC 60 384-8,

EIA 198

CLIMATIC CATEGORY:

Class 1 55/125/56

OPERATING TEMPERATURE RANGE:

Class 1 - 55 to + 125 °C

MARKING

Marking indicates capacitance value and tolerance in accordance with "EIA 198".

The capacitors meet the essential requirements of "EIA 198". Unless stated otherwise all electrical values apply at an ambient temperature of $25 \pm 3\ ^\circ C$, at normal atmospheric conditions

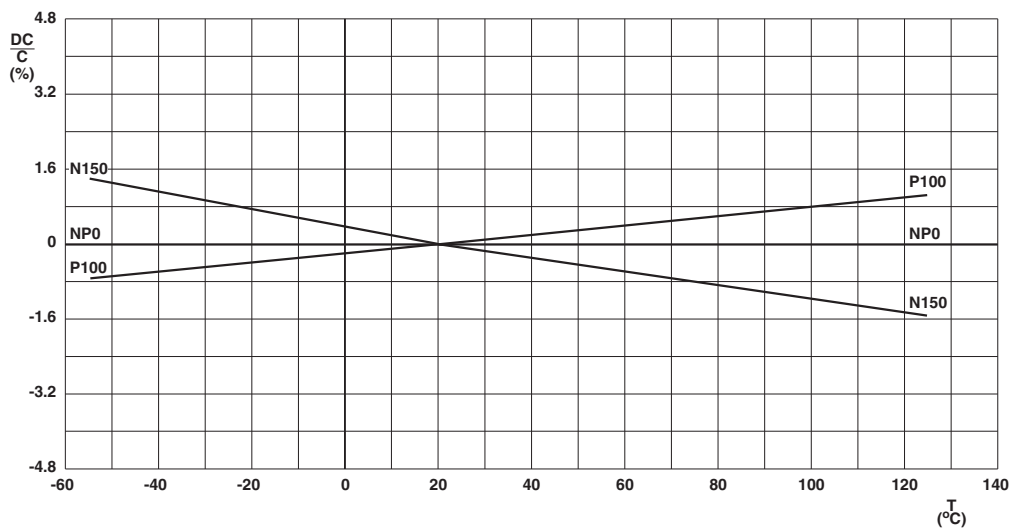
LV 100 V Narrow Tolerance

Vishay BCcomponents

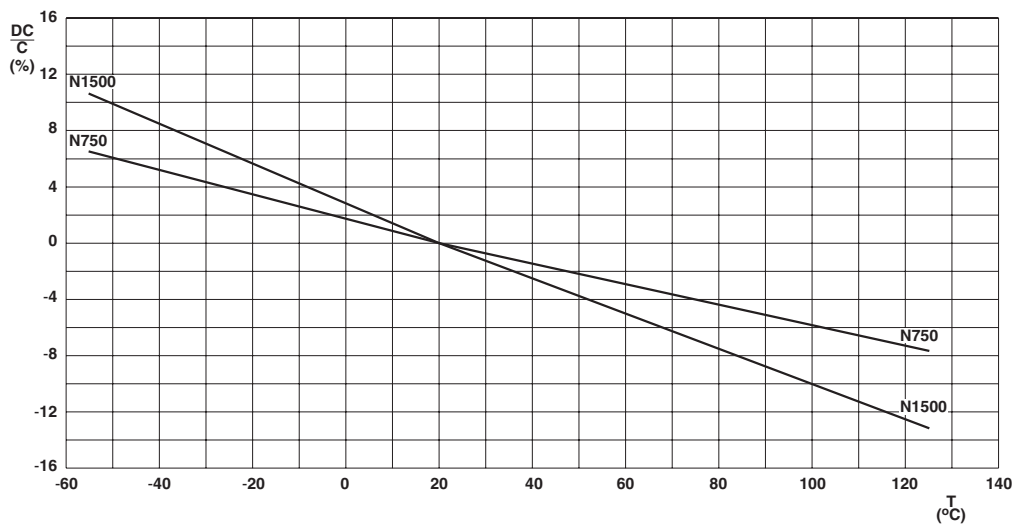
Ceramic Disc Capacitors
Class 1, 100 V (DC) Narrow Tolerance



TEMPERATURE COEFFICIENT IN ACCORDANCE WITH "RS198"		
C = 0.0	0 = - 1	G = ± 30
M = 1.0	1 = - 10	H = ± 60
P = 1.5	2 = - 100	J = ± 120
R = 2.2	3 = - 1000	K = ± 250
S = 3.3	5 = + 1	L = ± 500
T = 4.7	6 = + 10	M = ± 1000
U = 7.5	7 = + 100	N = ± 2500
-	8 = + 1000	-



Capacitance change as a function of temperature



Capacitance change as a function of temperature



LV 100 V Narrow Tolerance

Ceramic Disc Capacitors
Class 1, 100 V (DC) Narrow Tolerance

Vishay BCcomponents

ORDERING INFORMATION, CLASS 1, 100 V (DC), KINKED										
C (pF)	TOL. (%)	D _{max} (mm)	LEAD SPACING ⁽²⁾ F (mm)	SH ⁽³⁾ (mm)	CLEAR TEXT CODE 13 th DIGIT: T = REEL; U = AMMO; 3 = BULK 16 th DIGIT: R = RoHS COMPLIANT	PACKAGING CODE 8 th AND 9 th DIGIT ⁽⁴⁾			CATALOG NUMBER ⁽⁵⁾ 3 rd DIGIT: 5 = STANDARD 8 = RoHS COMPLIANT	
						REEL	AMMO	BULK		
CLASS 1 P100										
1.5	± 0.25 pF	5.0	5.0	4.0	D159C20M7GH6.J5.	06	08	10	22.2 596 ..144	
2.2					D229C20M7GH6.J5.				22.2 596 ..244	
3.3					D339C20M7GH6.J5.				22.2 596 ..344	
4.7					D479C20M7GH6.J5.				22.2 596 ..444	
6.8					D689C20M7GH6.J5.				22.2 596 ..644	
10	± 2 %	6.5	5.0	4.0	D100G25M7GH6.J5.	06	08	10	22.2 596 ..004	
15		7.5			D150G29M7GH6.J5.				22.2 596 ..104	
22		8.5			D220G33M7GH6.J5.				22.2 596 ..204	
33		10.0			D330G39M7GH6.J5.				22.2 596 ..304	
47		11.0			D470G43M7GH6.J5.				22.2 596 ..404	
CLASS 1 NP0										
1.5	± 0.25 pF	5.0	5.0	4.0	D159C20C0KH6.J5.	06	08	10	22.2 506 ..144	
1.8					D189C20C0KH6.J5.				22.2 506 ..194	
2.2					D229C20C0JH6.J5.				22.2 506 ..244	
3.3					D339C20C0JH6.J5.				22.2 506 ..344	
4.7					D479C20C0HH6.J5.				22.2 506 ..444	
6.8	± 2 %	5.0	5.0	4.0	D689C20C0HH6.J5.	06	08	10	22.2 506 ..644	
10					D100G20C0GH6.J5.				22.2 506 ..004	
15					D150G20C0GH6.J5.				22.2 506 ..104	
22					D220G20C0GH6.J5.				22.2 506 ..204	
33					D330G20C0GH6.J5.				22.2 506 ..304	
47	± 2 %	6.5	5.0	4.0	D470G25C0GH6.J5.	06	08	10	22.2 506 ..404	
68		D680G25C0GH6.J5.			22.2 506 ..604					
100		7.5			D101G29C0GH6.J5.				22.2 506 ..014	
150		8.5			D151G33C0GH6.J5.				22.2 506 ..114	
220		11.0			D221G43C0GH6.J5.				22.2 506 ..214	
CLASS 1 N150										
3.9	± 0.25 pF	5.0	5.0	4.0	D399C20P2JH6.J5.	06	08	10	22.2 516 ..394	
4.7					D479C20P2HH6.J5.				22.2516 ..444	
6.8					D689C20P2HH6.J5.				22.2 516 ..644	
10	± 2 %	5.0	5.0	4.0	D100G20P2GH6.J5.	06	08	10	22.2 516 ..004	
15					D150G20P2GH6.J5.				22.2 516 ..104	
22					D220G20P2GH6.J5.				22.2 516 ..204	
33					D330G20P2GH6.J5.				22.2 516 ..304	
47					± 2 %				5.0	5.0
68	D680G25P2GH6.J5.	22.2 516 ..604								
100	7.5	D101G29P2GH6.J5.	22.2 516 ..014							
150	10.0	D151G39P2GH6.J5.	22.2 516 ..114							
220	11.0	D221G43P2GH6.J5.	22.2 516 ..214							

LV 100 V Narrow Tolerance

Vishay BCcomponents

Ceramic Disc Capacitors
Class 1, 100 V (DC) Narrow Tolerance



ORDERING INFORMATION, CLASS 1, 100 V (DC), KINKED									
C (pF)	TOL. (%)	D _{max} (mm)	LEAD SPACING ⁽²⁾ F (mm)	SH ⁽³⁾ (mm)	CLEAR TEXT CODE	PACKAGING CODE 8 th AND 9 th DIGIT ⁽⁴⁾			CATALOG NUMBER ⁽⁵⁾ 3 rd DIGIT: 5 = STANDARD 8 = RoHS COMPLIANT
					13 th DIGIT: T = REEL; U = AMMO; 3 = BULK 16 th DIGIT: R = RoHS COMPLIANT	REEL	AMMO	BULK	
CLASS 1 N750									
6.8	± 0.25 pF	5.0	5.0	4.0	D689C20U2JH6.J5.	06	08	10	22.2 556 ..644
10	± 2 %				D100G20U2JH6.J5.				22.2 556 ..004
15					D150G20U2JH6.J5.				22.2 556 ..104
22					D220G20U2JH6.J5.				22.2 556 ..204
33					D330G20U2JH6.J5.				22.2 556 ..304
47					D470G20U2JH6.J5.				22.2 556 ..404
68					D680G25U2JH6.J5.				22.2 556 ..604
100					D101G29U2JH6.J5.				22.2 556 ..014
150					D151G33U2JH6.J5.				22.2 556 ..114
220					D221G39U2JH6.J5.				22.2 556 ..214
330		D331G47U2JH6.J5.	22.2 556 ..314						
CLASS 1 N1500									
18	± 2 %	5.0	5.0	4.0	D180G20P3KH6.J5.	06	08	10	22.2 586 ..154
22					D220G20P3KH6.J5.				22.2 586 ..204
33					D330G20P3KH6.J5.				22.2 586 ..304
47					D470G20P3KH6.J5.				22.2 586 ..404
68					D680G20P3KH6.J5.				22.2 586 ..604
100					D101G25P3KH6.J5.				22.2 586 ..014
150					D151G29P3KH6.J5.				22.2 586 ..114
220					D221G33P3KH6.J5.				22.2 586 ..214
330					D331G39P3KH6.J5.				22.2 586 ..314
470					D471G43P3KH6.J5.				22.2 586 ..414
560					D561G47P3KH6.J5.				22.2 586 ..514

Notes

- Maximum thickness 4.0 mm.
- 2.5 mm lead spacing is available on request. Straight leads leadstyle L2. Digit 14 (L) and 15 (2) Clear Text Code
- SH = seated height.
- Packaging codes refer to inward kinked leads. Other styles available on request.
- 3rd digit to complete RoHS catalog number. 8th and 9th digit of the catalog number to be completed with the packaging code.

PACKAGING				
D _{max} (mm)	SIZE CODE	PACKAGING QUANTITIES		
		BULK	REEL	AMMO
5.0 (0.20")	20	1000	2500	2000
6.5 (0.25")	25			
7.5 (0.29")	29			
8.5 (0.33")	33			
10.0 (0.39")	39			
11.0 (0.43")	43			
12.0 (0.47")	47			

Note

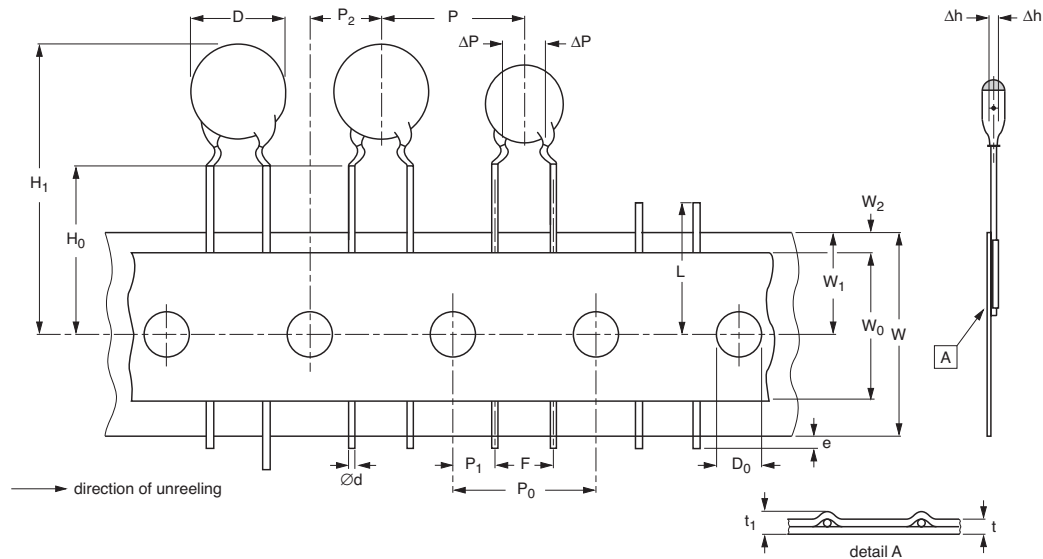
- The capacitors are supplied in bulk packaging (cardboard boxes), in tape on reel or in ammpack.



LV 100 V Narrow Tolerance

Ceramic Disc Capacitors
Class 1, 100 V (DC) Narrow Tolerance

Vishay BCcomponents



Kinked capacitors on tape, lead spacing 5.0 mm (0.2").

DIMENSIONS OF TAPE			
SYMBOL	PARAMETER	DIMENSIONS (mm)	
		NOMINAL	TOLERANCE
D	body diameter	11.0 maximum	-
d	lead diameter	0.6	± 0.05
P	pitch between capacitors	12.7	± 1.0
P ₀	feed-hole pitch	12.7	± 0.3; note 1
ΔP	plane deviation	1.0 maximum	-
P ₁	feed-hole centre to lead centre	3.85	± 0.7; note 2
P ₂	feed-hole centre to component centre	6.35	± 1.3; note 2
F	lead spacing	5.0	+ 0.6 - 0.4
Δh	component alignment	0	± 1.0
Δs	deviation along tape, left or right	0	± 1.0
W	tape width	18.0	+ 1.0 - 0.5
W ₀	hold-down tape width	5.0 minimum	-
W ₁	hole position	9.0	+ 0.75 - 0.5
W ₂	hold-down tape margin	3.0 maximum	-
H ₀	height to seating plane	16.0	± 0.5
H ₁	maximum component height	32.0	-
e	lead end protrusion	1.0 maximum	-
L	maximum length of snapped lead	11.0	-
D ₀	feed-hole diameter	4.0	± 0.2
t	total tape thickness	0.9 maximum	-
t ₁	maximum thickness of tape and wires	1.5 maximum	-

Notes

1. Cumulative pitch error: $\pm \leq 1 \text{ mm} / 20 \text{ pitches}$.
2. Obliquity maximum 3°.

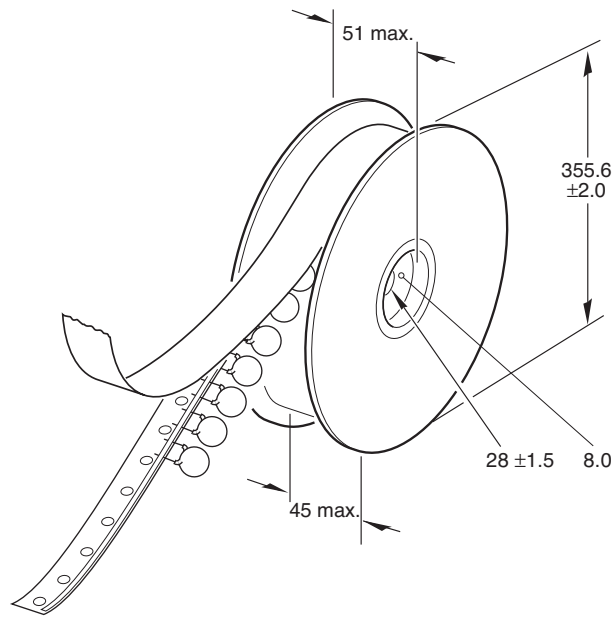
LV 100 V Narrow Tolerance

Vishay BCcomponents

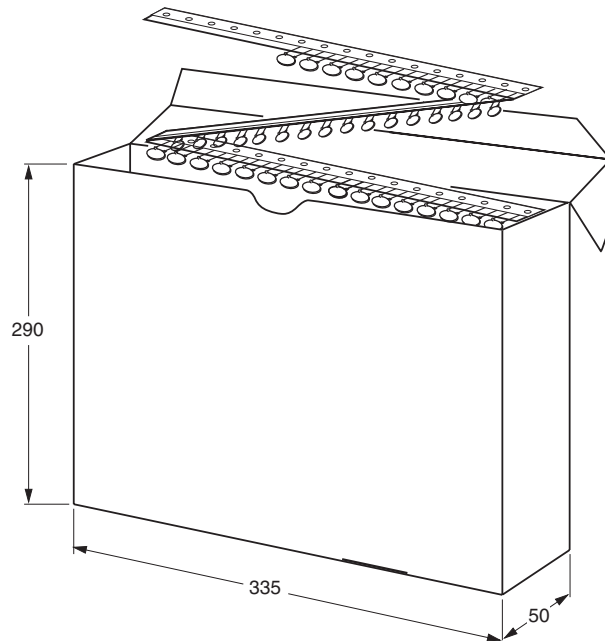
Ceramic Disc Capacitors
Class 1, 100 V (DC) Narrow Tolerance



REEL AND TAPE DATA in millimeters



Reel with capacitors on tape.



Ammopack with capacitors on tape.



Notice

Specifications of the products displayed herein are subject to change without notice. Vishay Intertechnology, Inc., or anyone on its behalf, assumes no responsibility or liability for any errors or inaccuracies.

Information contained herein is intended to provide a product description only. No license, express or implied, by estoppel or otherwise, to any intellectual property rights is granted by this document. Except as provided in Vishay's terms and conditions of sale for such products, Vishay assumes no liability whatsoever, and disclaims any express or implied warranty, relating to sale and/or use of Vishay products including liability or warranties relating to fitness for a particular purpose, merchantability, or infringement of any patent, copyright, or other intellectual property right.

The products shown herein are not designed for use in medical, life-saving, or life-sustaining applications. Customers using or selling these products for use in such applications do so at their own risk and agree to fully indemnify Vishay for any damages resulting from such improper use or sale.