

Features

- AC: 2 to 6 V operating voltage
- ACT: 4.5 to 5.5 V operating voltage
- High speed $T_{PD} = 4.5$ ns (typ.)
- Low DC power dissipation: 8 μ A max.
- Symmetrical 24 mA output characteristics
- High noise immunity: 28% of min. V_{CC}
- Balanced propagation delays
- Improved electrical latch-up immunity
- Controlled rise and fall times
- Operating temperature: - 55 to 150 °C
- Hermetic packages
- Rad-hard: 300 krad TID at any Mil1019 dose rates
- SEL immune to 110 MeV.cm²/mg LET ions
- RHA QML-V qualified
- SMD (standard microcircuit drawing) available on DLA website for each part
- Same die and electrical specification for engineering and flight models

Description

The 54AC and 54ACT series represent over 60 product types with different high-speed CMOS functions, specifically designed to meet the radiation requirements of the aerospace industry. They include a large set of gates, flip-flops, multiplexers, counters, bus interfaces, and several other functions. Their radiation hardness, immunity from single event latch-up (SEL) and single event upset (SEU), and housing in hermetic packages make them suitable for the most difficult environmental conditions. STMicroelectronics guarantees full compliance of qualified parts with SMD specifications.

Contents

- 1 54AC and 54ACT series overview 5**
- 2 Input and output equivalent circuit diagram 8**
- 3 Maximum ratings 9**
 - 3.1 Absolute maximum ratings 9
 - 3.1.1 54AC series 9
 - 3.1.2 54ACT series 9
 - 3.2 Recommended operating conditions 10
 - 3.2.1 54AC series 10
 - 3.2.2 54ACT series 10
- 4 Radiations 11**
- 5 Package information 12**
 - 5.1 Ceramic Flat-14 package information 13
 - 5.2 Ceramic DIL-14 package information 14
 - 5.3 Ceramic Flat-16 package information 15
 - 5.4 Ceramic DIL-16 package information 16
 - 5.5 Ceramic Flat-20 package information 17
 - 5.6 Ceramic DIL-20 package information 18
 - 5.7 Ceramic Flat-48 package information 19
- 6 Ordering information 20**
- 7 Other information 34**
- 8 Revision history 36**



List of tables

Table 1.	Device summary	5
Table 2.	Absolute maximum ratings - 54AC series.	9
Table 3.	Absolute maximum ratings - 54ACT series.	9
Table 4.	Recommended operating conditions for 54AC series	10
Table 5.	Recommended operating conditions for 54ACT series	10
Table 6.	Ceramic Flat-14 mechanical data	13
Table 7.	Ceramic DIL-14 mechanical data	14
Table 8.	Ceramic Flat-16 mechanical data	15
Table 9.	Ceramic DIL-16 mechanical data	16
Table 10.	Ceramic Flat-20 mechanical data	17
Table 11.	Ceramic DIL-20 mechanical data	18
Table 12.	Ceramic Flat-48 mechanical data	19
Table 13.	Ordering information	20
Table 14.	Product documentation	34
Table 15.	Document revision history	36

List of figures

Figure 1.	Input and output equivalent circuit diagram	8
Figure 2.	Ceramic Flat-14 package outline	13
Figure 3.	Ceramic DIL-14 package outline	14
Figure 4.	Ceramic Flat-16 package outline	15
Figure 5.	Ceramic DIL-16 package outline	16
Figure 6.	Ceramic Flat-20 package outline	17
Figure 7.	Ceramic DIL-20 package outline	18
Figure 8.	Ceramic Flat-48 package outline	19

1 54AC and 54ACT series overview

Table 1. Device summary

Part number	Description	Radiation level	SMD / detailed specification	Package
54AC00	Rad-hard quad 2-input NAND gate	300 krad (Si)	5962F87549	Flat-14 - DIL-14
54ACT00	Rad-hard quad 2-input NAND gate		5962F87699	Flat-14 - DIL-14
54AC02	Rad-hard quad 2-input NOR gate		5962F87612	Flat-14 - DIL-14
54ACT02	Rad-hard quad 2-input NOR gate		5962F89791	Flat-14 - DIL-14
54AC04	Rad-hard hex inverter		5962F87609	Flat-14 - DIL-14
54ACT04	Rad-hard hex inverter		5962F89734	Flat-14 - DIL-14
54AC08	Rad-hard quad 2-input AND gate		5962F87615	Flat-14 - DIL-14
54ACT08	Rad-hard quad 2-input AND gate		5962F89547	Flat-14 - DIL-14
54AC10	Rad-hard triple 3-input NAND gate		5962F87610	Flat-14 - DIL-14
54ACT10	Rad-hard triple 3-input NAND gate		5962F92182	Flat-14 - DIL-14
54AC11	Rad-hard triple 3-input AND gate		5962F87611	Flat-14 - DIL-14
54ACT11	Rad-hard triple 3-input AND gate		5962F90772	Flat-14 - DIL-14
54AC14	Rad-hard hex Schmitt inverter		5962F87624	Flat-14 - DIL-14
54AC14A	Rad-hard hex Schmitt inverter low power		5962F87624	Flat-14 - DIL-14
54ACT14	Rad-hard hex Schmitt inverter		5962F96813	Flat-14 - DIL-14
54AC32	Rad-hard quad 2-input OR gate		5962F87614	Flat-14 - DIL-14
54ACT32	Rad-hard quad 2-input OR gate	5962F89736	Flat-14 - DIL-14	
54AC74	Rad-hard dual D-type flip-flop with preset and clear	5962F88520	Flat-14 - DIL-14	
54ACT74	Rad-hard dual D-type flip-flop with preset and clear	5962F87525	Flat-14 - DIL-14	
54AC86	Rad-hard quad exclusive OR	5962F89550	Flat-14 - DIL-14	



Table 1. Device summary (continued)

Part number	Description	Radiation level	SMD / detailed specification	Package
54ACT186	Rad-hard quad exclusive OR	300 krad (Si)	5962F90687	Flat-14 - DIL-14
54AC138	Rad-hard 3 to 8 line decoder inverter		5962F87622	Flat-16 - DIL-16
54ACT138	Rad-hard 3 to 8 line decoder inverter		5962F87554	Flat-16 - DIL-16
54AC139	Rad-hard dual 2 to 4 line decoder/demultiplexer		5962F87623	Flat-16 - DIL-16
54ACT139	Rad-hard dual 2 to 4 line decoder/demultiplexer		5962F87553	Flat-16 - DIL-16
54AC151	Rad-hard 8-channel multiplexer		5962F87691	Flat-16 - DIL-16
54ACT151	Rad-hard 8-channel multiplexer		5962F88756	Flat-16 - DIL-16
54AC157	Rad-hard quad 2-channel multiplexer		5962F89539	Flat-16 - DIL-16
54ACT157	Rad-hard quad 2-channel multiplexer		5962F89668	Flat-16 - DIL-16
54AC161	Rad-hard synchronous binary counter with async. clear		5962F89561	Flat-16 - DIL-16
54ACT161	Rad-hard synchronous binary counter with async. clear		5962F91722	Flat-16 - DIL-16
54AC174	Rad-hard hex D-type flip-flop with clear		5962F87626	Flat-16 - DIL-16
54ACT174	Rad-hard hex D-type flip-flop with clear		5962F87757	Flat-16 - DIL-16
54AC191	Rad-hard 4-bit synchronous binary up/down counter		5962F89749	Flat-16 - DIL-16
54ACT191	Rad-hard 4-bit synchronous binary up/down counter		5962F04228	Flat-16 - DIL-16
54AC240	Rad-hard octal bus buffer 3-state inverter		5962F87550	Flat-20
54ACT240	Rad-hard octal bus buffer 3-state inverter		5962F87759	Flat-20
54AC244	Rad-hard octal bus buffer 3-state inverted enable		5962F87552	Flat-20
54ACT244	Rad-hard octal bus buffer 3-state		5962F87760	Flat-20
54AC245	Rad-hard octal bus transceiver 3-state		5962F87758	Flat-20
54ACT245	Rad-hard octal bus transceiver 3-state		5962F87663	Flat-20
54AC273	Rad-hard octal D-type flip-flop with clear		5962F87756	Flat-20
54ACT273	Rad-hard octal D-type flip-flop with clear		5962F01527	Flat-20



Table 1. Device summary (continued)

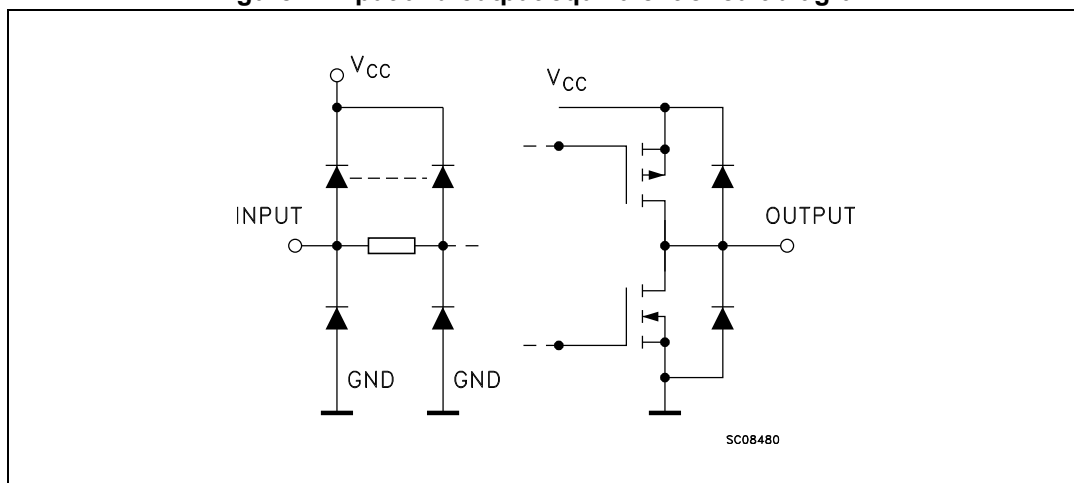
Part number	Description	Radiation level	SMD / detailed specification	Package
54AC373	Rad-hard octal D-type latch 3-state	300 krad (Si)	5962F87555	Flat-20
54ACT373	Rad-hard octal D-type latch 3-state		5962F87556	Flat-20
54AC374	Rad-hard octal D-type flip-flop 3-state		5962F87694	Flat-20
54ACT374	Rad-hard octal D-type flip-flop 3-state		5962F87631	Flat-20
54AC521	Rad-hard 8-bit comparator with enable		5962F87695	Flat-20
54AC540	Rad-hard octal buffer/line driver 3-state		5962F90985	Flat-20
54AC541	Rad-hard octal bus buffer 3-state non-inverted enable		5962F88706	Flat-20
54ACT541	Rad-hard octal bus buffer 3-state		5962F89795	Flat-20
54AC574	Rad-hard octal D-type flip-flop 3-state		5962F96773	Flat-20
54ACT574	Rad-hard octal D-type flip-flop 3-state		5962F89601	Flat-20
54AC2525	Rad-hard 1 to 8 skew clock driver		5962F92174	Flat-48
54AC16244	Rad-hard 16-bit bus transceiver non inverting		5962F04210	Flat-48
54ACT16244	Rad-hard 16-bit bus transceiver non inverting		5962F92022	Flat-48
54AC16245	Rad-hard 16-bit bus transceiver 3-inverting		5962F04211	Flat-48
54ACT16245	Rad-hard 16-bit 3-state buffer transceiver		5962F92023	Flat-48
54AC16373	Rad-hard 16 D-type latch 3-state		5962F04212	Flat-48
54ACT16373	Rad-hard 16-bit 3-state D-type latch		5962F92024	Flat-48
54AC16374	Rad-hard 16 D-type flip flop 3-state		5962F04213	Flat-48
54ACT16374	Rad-hard 16-bit 3-state D-type flip-flop		5962F92025	Flat-48
54AC164245 ⁽¹⁾	Rad-hard 16-bit 3 to 5 V level shifter transceiver 3-state		5962R98580	Flat-48

1. This product has a dedicated datasheet.

Contact an ST sales office for information on other 54AC or 54ACT part numbers and products in die form and QML-Q versions

2 Input and output equivalent circuit diagram

Figure 1. Input and output equivalent circuit diagram



3 Maximum ratings

3.1 Absolute maximum ratings

3.1.1 54AC series

Table 2. Absolute maximum ratings - 54AC series

Symbol	Parameter	Value	Unit
V _{CC}	Supply voltage	-0.5 to +7.0	V
T _{STG}	Storage temperature	-65 to +150	°C
T _L	Lead temperature (10 sec)	260	°C
ESD	HBM (Human Body Model)	2k	V

Note: All voltage values are referred to V_{SS} pin voltage.

3.1.2 54ACT series

Table 3. Absolute maximum ratings - 54ACT series

Symbol	Parameter	Value	Unit
V _{CC}	Supply voltage ⁽¹⁾	-0.5 to +7.0	V
T _{STG}	Storage temperature	-65 to +150	°C
T _L	Lead temperature (10 s)	260	°C
ESD	HBM (Human Body Model)	2k	V

1. All products of the RHFACT series are specified with an absolute maximum rating of 7 V for the supply voltage, even though the SMD variant of some of them is limited to 6 V by other suppliers.

Note: All voltage values are referred to V_{SS} pin voltage.

3.2 Recommended operating conditions

3.2.1 54AC series

Table 4. Recommended operating conditions for 54AC series

Symbol	Parameter	Value	Unit
V_{CC}	Supply voltage	2 to 6	V
V_I	Input voltage	0 to V_{CC}	V
V_O	Output voltage	0 to V_{CC}	V
T_{OP}	Operating temperature	-55 to 150	°C

3.2.2 54ACT series

Table 5. Recommended operating conditions for 54ACT series

Symbol	Parameter	Value	Unit
V_{CC}	Supply voltage	4.5 to 5.5	V
V_I	Input voltage	0 to V_{CC}	V
V_O	Output voltage	0 to V_{CC}	V
T_{OP}	Operating temperature	-55 to 150	°C

4 Radiations

See "TN1006" technical note on www.st.com

5 Package information

In order to meet environmental requirements, ST offers these devices in different grades of ECOPACK packages, depending on their level of environmental compliance. ECOPACK specifications, grade definitions and product status are available at: www.st.com. ECOPACK is an ST trademark.

5.1 Ceramic Flat-14 package information

Figure 2. Ceramic Flat-14 package outline

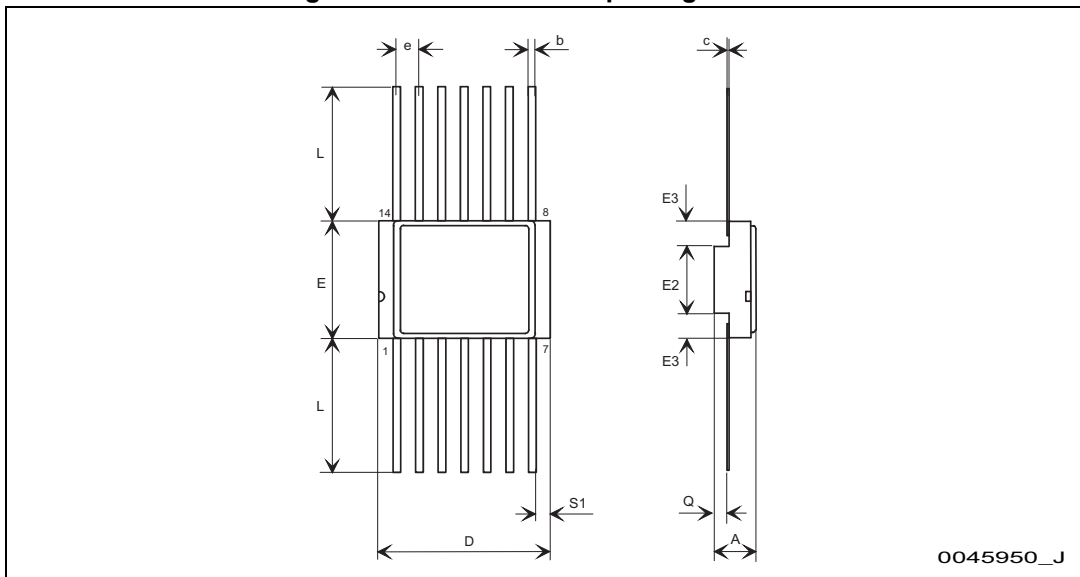


Table 6. Ceramic Flat-14 mechanical data

Symbol	Dimensions (mm)			Dimensions (inches)		
	Min.	Typ.	Max.	Min.	Typ.	Max.
A	2.31		2.72	0.091		0.107
b	0.38		0.48	0.015		0.019
c	0.10		0.18	0.004		0.007
D	9.27		9.73	0.365		0.383
E	6.19		6.50	0.244		0.256
E2		3.68			0.145	
E3	0.76			0.030		
e		1.27			0.050	
L	6.86		7.62	0.250		0.300
Q	0.66		1.14	0.026		0.045
S1	0.13			0.005		

5.2 Ceramic DIL-14 package information

Figure 3. Ceramic DIL-14 package outline

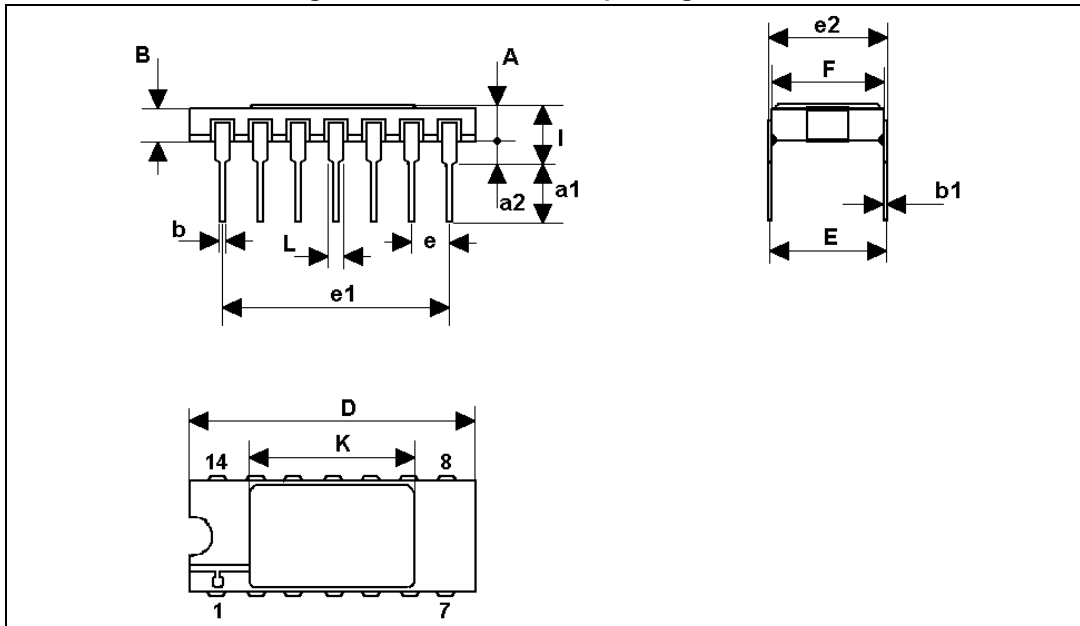
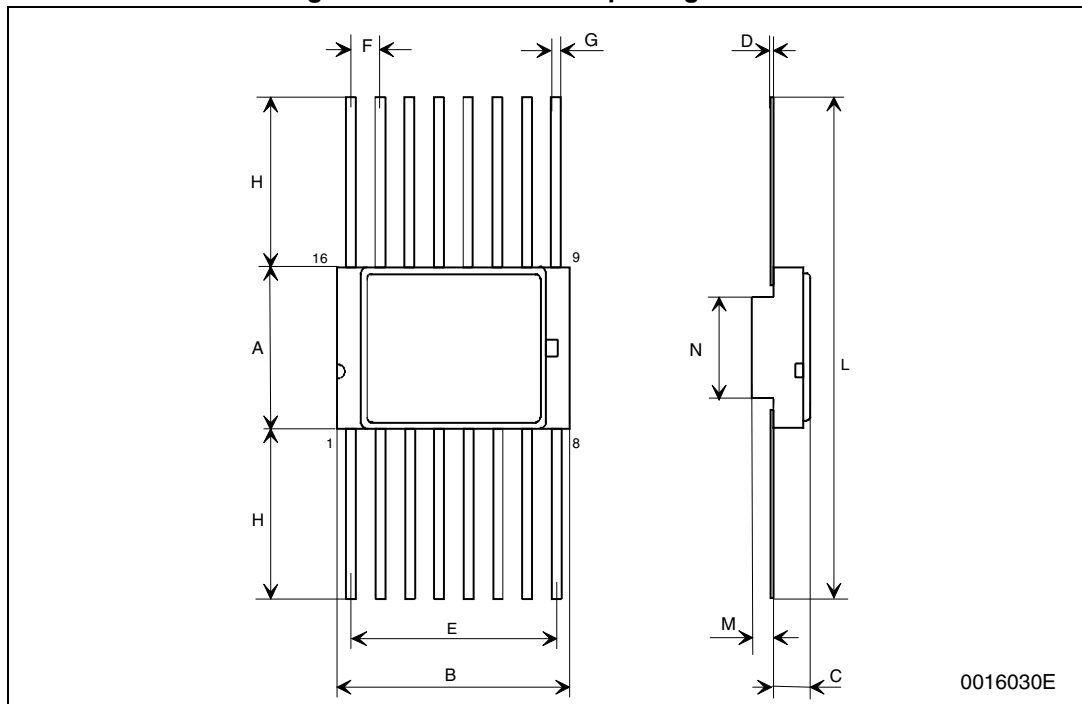


Table 7. Ceramic DIL-14 mechanical data

Symbol	Dimensions (mm)			Dimensions (inches)		
	Min.	Typ.	Max.	Min.	Typ.	Max.
A	2.1		2.54	0.083		0.100
a1	3.00		3.70	0.118		0.146
a2	0.63	0.88	1.14	0.025	0.035	0.045
B	1.82	2.03	2.39	0.072	0.080	0.094
b	0.40	0.45	0.50	0.016	0.018	0.020
b1	0.20	0.254	0.30	0.008	0.010	0.012
D	18.79	19.00	19.20	0.740	0.748	0.756
E	7.36	7.62	7.87	0.290	0.300	0.310
e		2.54			0.100	
e1	15.11	15.24	15.37	0.595	0.600	0.605
e2	7.62	7.87	8.12	0.300	0.310	0.320
F	7.11		7.75	0.280		0.305
l			3.70			0.146
K	10.90		12.1	0.429		0.476
L	1.14	1.27	1.5	0.045	0.050	0.059

5.3 Ceramic Flat-16 package information

Figure 4. Ceramic Flat-16 package outline



0016030E

Table 8. Ceramic Flat-16 mechanical data

Symbol	Dimensions (mm)			Dimensions (inches)		
	Min.	Typ.	Max.	Min.	Typ.	Max.
A	6.75	6.91	7.06	0.266	0.272	0.278
B	9.76	9.94	10.14	0.384	0.391	0.399
C	1.49		1.95	0.059		0.077
D	0.102	0.127	0.152	0.004	0.005	0.006
E	8.76	8.89	9.01	0.345	0.350	0.355
F		1.27			0.050	
G	0.38	0.43	0.48	0.015	0.017	0.019
H	6.0			0.236		
L	18.75		22.0	0.738		0.866
M	0.33	0.38	0.43	0.013	0.015	0.017
N		4.31			0.170	

5.4 Ceramic DIL-16 package information

Figure 5. Ceramic DIL-16 package outline

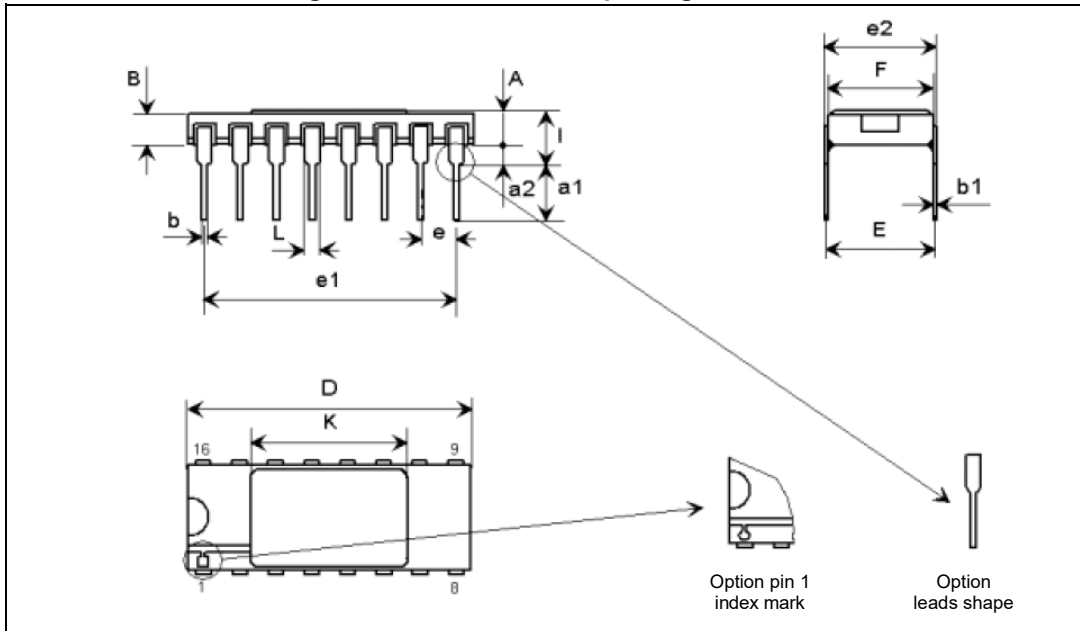


Table 9. Ceramic DIL-16 mechanical data

Symbol	Dimensions (mm)			Dimensions (inches)		
	Min.	Typ.	Max.	Min.	Typ.	Max.
A	2.10		2.71	0.083		0.107
a1	3.00		3.70	0.118		0.146
a2	0.63	0.88	1.14	0.025	0.035	0.045
B	1.82		2.39	0.072		0.094
b	0.40	0.45	0.50	0.016	0.018	0.020
b1	0.20	0.254	0.30	0.008	0.010	0.012
D	20.06	20.32	20.58	0.790	0.800	0.810
E	7.36	7.62	7.87	0.290	0.300	0.310
e		2.54			0.100	
e1	17.65	17.78	17.90	0.695	0.700	0.705
e2	7.62	7.87	8.12	0.300	0.310	0.320
F	7.29	7.49	7.70	0.287	0.295	0.303
I			3.83			0.151
K	10.90		12.10	0.429		0.476
L	1.14		1.50	0.045		0.059

5.5 Ceramic Flat-20 package information

Figure 6. Ceramic Flat-20 package outline

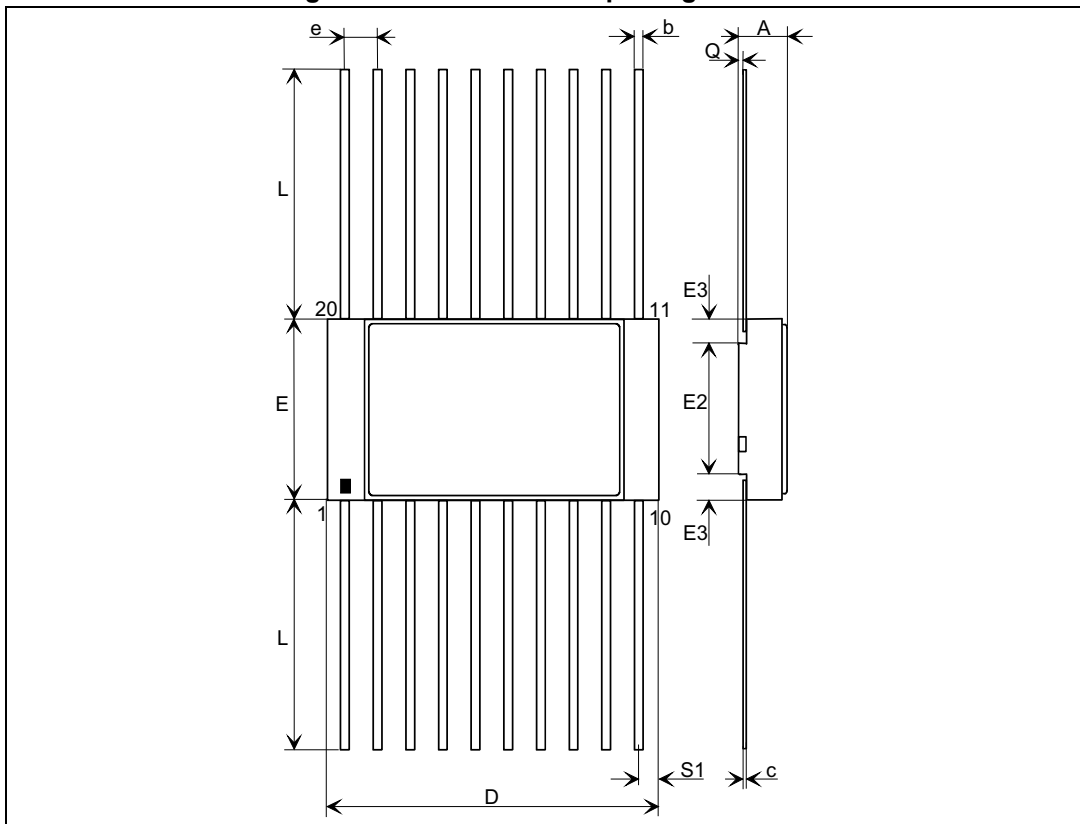


Table 10. Ceramic Flat-20 mechanical data

Symbol	Dimensions (mm)			Dimensions (inches)		
	Min.	Typ.	Max.	Min.	Typ.	Max.
A	1.91		2.21	0.075		0.087
b	0.38		0.48	0.015		0.019
c	0.076		0.152	0.003		0.006
D	12.83		13.08	0.505		0.515
E	6.99		7.24	0.275		0.285
E2	5.05	5.21	5.36	0.199	0.205	0.211
E3		0.95			0.037	
e	1.14		1.40	0.045		0.055
L	6.35		9.39	0.250		0.370
Q	0.25			0.010		
S1		0.55			0.022	

5.6 Ceramic DIL-20 package information

Figure 7. Ceramic DIL-20 package outline

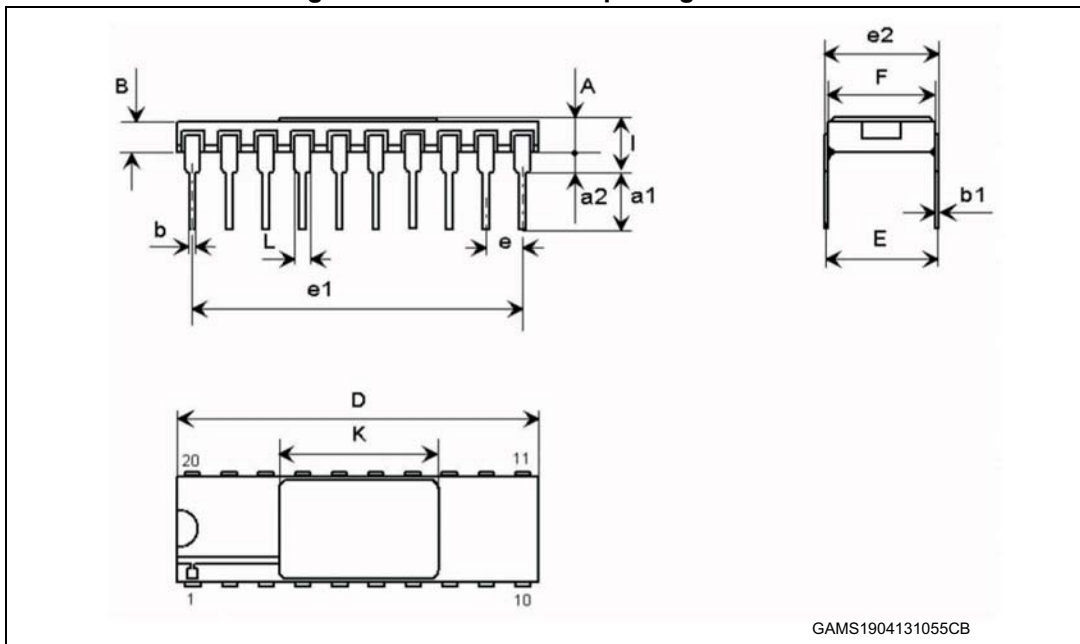
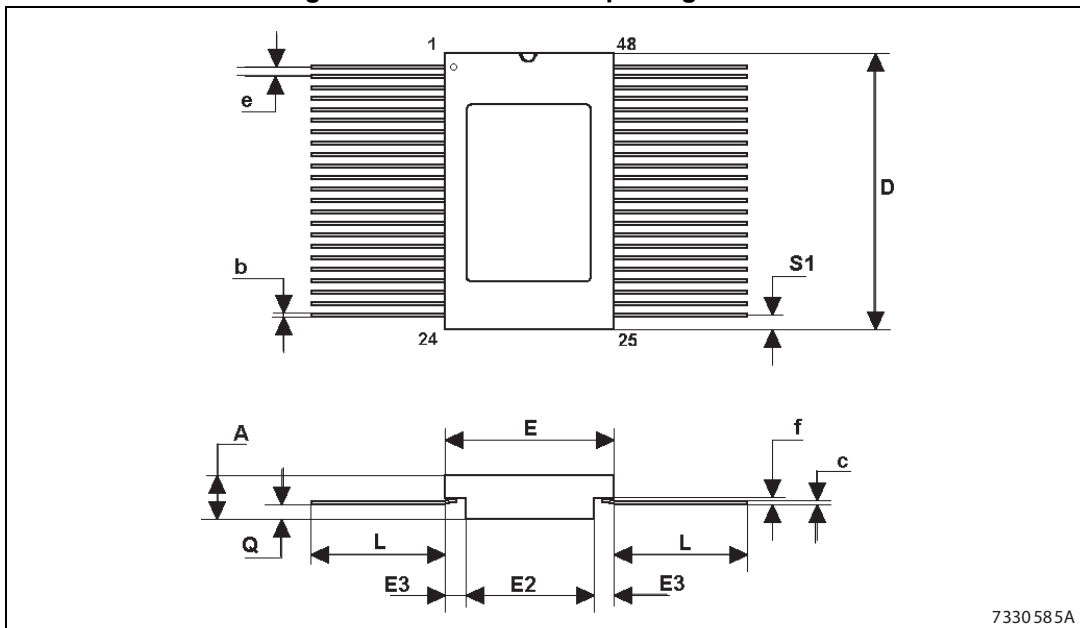


Table 11. Ceramic DIL-20 mechanical data

Symbol	Dimensions (mm)			Dimensions (inches)		
	Min.	Typ.	Max.	Min.	Typ.	Max.
A	2.1		2.72	0.083		0.107
a1	3		3.7	0.118		0.146
a2	0.63	0.88	1.14	0.025	0.035	0.045
B	1.93	2.03	2.23	0.076	0.080	0.088
b	0.4	0.45	0.5	0.016	0.018	0.020
b1	0.2	0.254	0.3	0.008	0.010	0.012
D	25.14	25.4	25.65	0.990	1.000	1.010
E	7.36	7.62	7.87	0.290	0.300	0.310
e		2.54			0.100	
e1	22.73	22.86	22.99	0.895	0.900	0.905
e2	7.62	7.87	8.12	0.300	0.310	0.320
F	7.29	7.49	7.62	0.287	0.295	0.300
I			3.86			0.152
K	11.3		11.56	0.445		0.455
L	1.14	1.27	1.4	0.045	0.050	0.055

5.7 Ceramic Flat-48 package information

Figure 8. Ceramic Flat-48 package outline



7330585A

Table 12. Ceramic Flat-48 mechanical data

Symbol	Dimensions (mm)			Dimensions (inches)		
	Min.	Typ.	Max.	Min.	Typ.	Max.
A	2.18	2.47	2.72	0.086	0.097	0.107
b	0.20	0.254	0.30	0.008	0.010	0.012
c	0.12	0.15	0.18	0.005	0.006	0.007
D	15.57	15.75	15.92	0.613	0.620	0.627
E	9.52	9.65	9.78	0.375	0.380	0.385
E2	6.22	6.35	6.48	0.245	0.250	0.255
E3	1.52	1.65	1.78	0.060	0.065	0.070
e		0.635			0.025	
f		0.20			0.008	
L	6.85	8.38	9.40	0.270	0.330	0.370
Q	0.66	0.79	0.92	0.026	0.031	0.036
S1	0.25	0.43	0.61	0.010	0.017	0.024

6 Ordering information

Table 13. Ordering information

ST part number	SMD pin (1)	Quality Level	Other features	Package	Finishing	Marking (2)	Mass (g)	Packing
RHFAC00K1	-	Engineering Model		Flat-14	Gold	RHFAC00K1	0.55	Strip Pack
RHFAC00K01V	5962F8754901VXC	QML-V Flight		Flat-14	Gold	5962F8754901VXC	0.55	Strip Pack
RHFAC00K02V	5962F8754901VXA	QML-V Flight		Flat-14	Solder Dip	5962F8754901VXA	0.55	Strip Pack
RHFAC00K03V	5962F8754901VYC	QML-V Flight	Grounded lid	Flat-14	Gold	5962F8754901VYC	0.55	Strip Pack
RHFAC00K04V	5962F8754901VYA	QML-V Flight	Grounded lid	Flat-14	Solder Dip	5962F8754901VYA	0.55	Strip Pack
RHFAC00D03V	5962F8754901VCC	QML-V flight		DIL-14	Gold	5962F8754901VCC	2.2	Strip Pack
RHFAC00K1	-	Engineering Model		Flat-14	Gold	RHFAC00K1	0.55	Strip Pack
RHFAC00K01V	5962F8769903VXC	QML-V Flight		Flat-14	Gold	5962F8769903VXC	0.55	Strip Pack
RHFAC00K02V	5962F8769903VXA	QML-V Flight		Flat-14	Solder Dip	5962F8769903VXA	0.55	Strip Pack
RHFAC00K03V	5962F8769903VYC	QML-V Flight	Grounded lid	Flat-14	Gold	5962F8769903VYC	0.55	Strip Pack
RHFAC00K04V	5962F8769903VYA	QML-V Flight	Grounded lid	Flat-14	Solder Dip	5962F8769903VYA	2.2	Strip Pack
RHFAC00D03V	5962F8769903VCC	QML-V flight		DIL-14	Gold	5962F8769903VCC	2.2	Strip Pack
RHFAC02K1	-	Engineering Model		Flat-14	Gold	RHFAC02K1	0.55	Strip Pack
RHFAC02K01V	5962F8761201VXC	QML-V Flight		Flat-14	Gold	5962F8761201VXC	0.55	Strip Pack
RHFAC02K02V	5962F8761201VXA	QML-V Flight		Flat-14	Solder Dip	5962F8761201VXA	0.55	Strip Pack
RHFAC02K03V	5962F8761201VYC	QML-V Flight	Grounded lid	Flat-14	Gold	5962F8761201VYC	0.55	Strip Pack
RHFAC02K04V	5962F8761201VYA	QML-V Flight	Grounded lid	Flat-14	Solder Dip	5962F8761201VYA	0.55	Strip Pack
RHFAC02D03V	5962F8761201VCC	QML-V flight		DIL-14	Gold	5962F8761201VCC	2.2	Strip Pack
RHFAC02K1	-	Engineering Model		Flat-14	Gold	RHFAC02K1	0.55	Strip Pack
RHFAC02K01V	5962F8979101VXC	QML-V Flight		Flat-14	Gold	5962F8979101VXC	0.55	Strip Pack
RHFAC02K02V	5962F8979101VXA	QML-V Flight		Flat-14	Solder Dip	5962F8979101VXA	0.55	Strip Pack
RHFAC02K03V	5962F8979101VYC	QML-V Flight	Grounded lid	Flat-14	Gold	5962F8979101VYC	0.55	Strip Pack



Table 13. Ordering information

ST part number	SMD pin (1)	Quality Level	Other features	Package	Finishing	Marking (2)	Mass (g)	Packing
RHFAC02K04V	5962F8979101VYA	QML-V Flight	Grounded lid	Flat-14	Solder Dip	5962F8979101VYA	0.55	Strip Pack
RHFAC04K1	-	Engineering Model		Flat-14	Gold	RHFAC04K1	0.55	Strip Pack
RHFAC04K01V	5962F8760901VXC	QML-V Flight		Flat-14	Gold	5962F8760901VXC	0.55	Strip Pack
RHFAC04K02V	5962F8760901VXA	QML-V Flight		Flat-14	Solder Dip	5962F8760901VXA	0.55	Strip Pack
RHFAC04K03V	5962F8760901VYC	QML-V Flight	Grounded lid	Flat-14	Gold	5962F8760901VYC	0.55	Strip Pack
RHFAC04K04V	5962F8760901VYA	QML-V Flight	Grounded lid	Flat-14	Solder Dip	5962F8760901VYA	0.55	Strip Pack
RHFAC04D03V	5962F8760901VCC	QML-V flight		DIL-14	Gold	5962F8760901VCC	2.2	Strip Pack
RHFAC04K1	-	Engineering Model		Flat-14	Gold	RHFAC04K1	0.55	Strip Pack
RHFAC04K01V	5962F8973403VXC	QML-V Flight		Flat-14	Gold	5962F8973403VXC	0.55	Strip Pack
RHFAC04K02V	5962F8973403VXA	QML-V Flight		Flat-14	Solder Dip	5962F8973403VXA	0.55	Strip Pack
RHFAC04K03V	5962F8973403VYC	QML-V Flight	Grounded lid	Flat-14	Gold	5962F8973403VYC	0.55	Strip Pack
RHFAC04K04V	5962F8973403VYA	QML-V Flight	Grounded lid	Flat-14	Solder Dip	5962F8973403VYA	0.55	Strip Pack
RHFAC04D03V	5962F8973403VCC	QML-V flight		DIL-14	Gold	5962F8973403VCC	2.2	Strip Pack
RHFAC08K1	-	Engineering Model		Flat-14	Gold	RHFAC08K1	0.55	Strip Pack
RHFAC08K01V	5962F8761501VXC	QML-V Flight		Flat-14	Gold	5962F8761501VXC	0.55	Strip Pack
RHFAC08K02V	5962F8761501VXA	QML-V Flight		Flat-14	Solder Dip	5962F8761501VXA	0.55	Strip Pack
RHFAC08K03V	5962F8761501VYC	QML-V Flight	Grounded lid	Flat-14	Gold	5962F8761501VYC	0.55	Strip Pack
RHFAC08K04V	5962F8761501VYA	QML-V Flight	Grounded lid	Flat-14	Solder Dip	5962F8761501VYA	0.55	Strip Pack
RHFAC08D03V	5962F8761501VCC	QML-V flight		DIL-14	Gold	5962F8761501VCC	2.2	Strip Pack
RHFAC08K1	-	Engineering Model		Flat-14	Gold	RHFAC08K1	0.55	Strip Pack
RHFAC08K01V	5962F8954703VXC	QML-V Flight		Flat-14	Gold	5962F8954703VXC	0.55	Strip Pack
RHFAC08K02V	5962F8954703VXA	QML-V Flight		Flat-14	Solder Dip	5962F8954703VXA	0.55	Strip Pack
RHFAC08K03V	5962F8954703VYC	QML-V Flight	Grounded lid	Flat-14	Gold	5962F8954703VYC	0.55	Strip Pack
RHFAC08K04V	5962F8954703VYA	QML-V Flight	Grounded lid	Flat-14	Solder Dip	5962F8954703VYA	0.55	Strip Pack
RHFAC08D03V	5962F8954703VCC	QML-V flight		DIL-14	Gold	5962F8954703VCC	2.2	Strip Pack



Table 13. Ordering information

ST part number	SMD pin ⁽¹⁾	Quality Level	Other features	Package	Finishing	Marking ⁽²⁾	Mass (g)	Packing
RHFAC10K1	-	Engineering Model		Flat-14	Gold	RHFAC10K1	0.55	Strip Pack
RHFAC10K01V	5962F8761001VXC	QML-V Flight		Flat-14	Gold	5962F8761001VXC	0.55	Strip Pack
RHFAC10K02V	5962F8761001VXA	QML-V Flight		Flat-14	Solder Dip	5962F8761001VXA	0.55	Strip Pack
RHFAC10K03V	5962F8761001VYC	QML-V Flight	Grounded lid	Flat-14	Gold	5962F8761001VYC	0.55	Strip Pack
RHFAC10K04V	5962F8761001VYA	QML-V Flight	Grounded lid	Flat-14	Solder Dip	5962F8761001VYA	0.55	Strip Pack
RHFAC10D03V	5962F8761001VCC	QML-V flight		DIL-14	Gold	5962F8761001VCC	2.2	Strip Pack
RHFAC10K1	-	Engineering Model		Flat-14	Gold	RHFAC10K1	0.55	Strip Pack
RHFAC10K01V	5962F9218202VXC	QML-V Flight		Flat-14	Gold	5962F9218202VXC	0.55	Strip Pack
RHFAC10K02V	5962F9218202VXA	QML-V Flight		Flat-14	Solder Dip	5962F9218202VXA	0.55	Strip Pack
RHFAC10K03V	5962F9218202VYC	QML-V Flight	Grounded lid	Flat-14	Gold	5962F9218202VYC	0.55	Strip Pack
RHFAC10K04V	5962F9218202VYA	QML-V Flight	Grounded lid	Flat-14	Solder Dip	5962F9218202VYA	0.55	Strip Pack
RHFAC11K1	-	Engineering Model		Flat-14	Gold	RHFAC11K1	0.55	Strip Pack
RHFAC11K01V	5962F8761101VXC	QML-V Flight		Flat-14	Gold	5962F8761101VXC	0.55	Strip Pack
RHFAC11K02V	5962F8761101VXA	QML-V Flight		Flat-14	Solder Dip	5962F8761101VXA	0.55	Strip Pack
RHFAC11K03V	5962F8761101VYC	QML-V Flight	Grounded lid	Flat-14	Gold	5962F8761101VYC	0.55	Strip Pack
RHFAC11K04V	5962F8761101VYA	QML-V Flight	Grounded lid	Flat-14	Solder Dip	5962F8761101VYA	0.55	Strip Pack
RHFAC11D03V	5962F8761101VCC	QML-V flight		DIL-14	Gold	5962F8761101VCC	2.2	Strip Pack
RHFAC11K1	-	Engineering Model		Flat-14	Gold	RHFAC11K1	0.55	Strip Pack
RHFAC11K01V	5962F9077202VXC	QML-V Flight		Flat-14	Gold	5962F9077202VXC	0.55	Strip Pack
RHFAC11K02V	5962F9077202VXA	QML-V Flight		Flat-14	Solder Dip	5962F9077202VXA	0.55	Strip Pack
RHFAC11K03V	5962F9077202VYC	QML-V Flight	Grounded lid	Flat-14	Gold	5962F9077202VYC	0.55	Strip Pack
RHFAC11K04V	5962F9077202VYA	QML-V Flight	Grounded lid	Flat-14	Solder Dip	5962F9077202VYA	0.55	Strip Pack
RHFAC14K1	-	Engineering Model		Flat-14	Gold	RHFAC14K1	0.55	Strip Pack
RHFAC14K01V	5962F8762401VXC	QML-V Flight		Flat-14	Gold	5962F8762401VXC	0.55	Strip Pack
RHFAC14K02V	5962F8762401VXA	QML-V Flight		Flat-14	Solder Dip	5962F8762401VXA	0.55	Strip Pack



Table 13. Ordering information

ST part number	SMD pin ⁽¹⁾	Quality Level	Other features	Package	Finishing	Marking ⁽²⁾	Mass (g)	Packing
RHFAC14K03V	5962F8762401VYC	QML-V Flight	Grounded lid	Flat-14	Gold	5962F8762401VYC	0.55	Strip Pack
RHFAC14K04V	5962F8762401VYA	QML-V Flight	Grounded lid	Flat-14	Solder Dip	5962F8762401VYA	0.55	Strip Pack
RHFAC14D03V	5962F8762401VCC	QML-V flight		DIL-14	Gold	5962F8762401VCC	2.2	Strip Pack
RHFAC14AK1	-	Engineering Model	Low Transient Current	Flat-14	Gold	RHFAC14AK1	0.55	Strip Pack
RHFAC14AK01V	5962F8762403VXC	QML-V Flight	Low Transient Current	Flat-14	Gold	5962F8762403VXC	0.55	Strip Pack
RHFAC14AK02V	5962F8762403VXA	QML-V Flight	Low Transient Current	Flat-14	Solder Dip	5962F8762403VXA	0.55	Strip Pack
RHFAC14AK03V	5962F8762403VYC	QML-V Flight	Low Transient Current, Grounded lid	Flat-14	Gold	5962F8762403VYC	0.55	Strip Pack
RHFAC14AK04V	5962F8762403VYA	QML-V Flight	Low Transient Current, Grounded lid	Flat-14	Solder Dip	5962F8762403VYA	0.55	Strip Pack
RHFAC14K1	-	Engineering Model		Flat-14	Gold	RHFAC14K1	0.55	Strip Pack
RHFAC14K01V	5962F9681301VXC	QML-V Flight		Flat-14	Gold	5962F9681301VXC	0.55	Strip Pack
RHFAC14K02V	5962F9681301VXA	QML-V Flight		Flat-14	Solder Dip	5962F9681301VXA	0.55	Strip Pack
RHFAC14K03V	5962F9681301VYC	QML-V Flight	Grounded lid	Flat-14	Gold	5962F9681301VYC	0.55	Strip Pack
RHFAC14K04V	5962F9681301VYA	QML-V Flight	Grounded lid	Flat-14	Solder Dip	5962F9681301VYA	0.55	Strip Pack
RHFAC32K1	-	Engineering Model		Flat-14	Gold	RHFAC32K1	0.55	Strip Pack
RHFAC32K01V	5962F8761401VXC	QML-V Flight		Flat-14	Gold	5962F8761401VXC	0.55	Strip Pack
RHFAC32K02V	5962F8761401VXA	QML-V Flight		Flat-14	Solder Dip	5962F8761401VXA	0.55	Strip Pack
RHFAC32K03V	5962F8761401VYC	QML-V Flight	Grounded lid	Flat-14	Gold	5962F8761401VYC	0.55	Strip Pack
RHFAC32K04V	5962F8761401VYA	QML-V Flight	Grounded lid	Flat-14	Solder Dip	5962F8761401VYA	0.55	Strip Pack
RHFAC32D03V	5962F8761401VCC	QML-V flight		DIL-14	Gold	5962F8761401VCC	2.2	Strip Pack
RHFAC32K1	-	Engineering Model		Flat-14	Gold	RHFAC32K1	0.55	Strip Pack



Table 13. Ordering information

ST part number	SMD pin (1)	Quality Level	Other features	Package	Finishing	Marking (2)	Mass (g)	Packing
RHFAC74K01V	5962F8973603VXC	QML-V Flight		Flat-14	Gold	5962F8973603VXC	0.55	Strip Pack
RHFAC74K02V	5962F8973603VXA	QML-V Flight		Flat-14	Solder Dip	5962F8973603VXA	0.55	Strip Pack
RHFAC74K03V	5962F8973603VYC	QML-V Flight	Grounded lid	Flat-14	Gold	5962F8973603VYC	0.55	Strip Pack
RHFAC74K04V	5962F8973603VYA	QML-V Flight	Grounded lid	Flat-14	Solder Dip	5962F8973603VYA	0.55	Strip Pack
RHFAC74D03V	5962F8973603VCC	QML-V flight		DIL-14	Gold	5962F8973603VCC	2.2	Strip Pack
RHFAC74K1	-	Engineering Model		Flat-14	Gold	RHFAC74K1	0.55	Strip Pack
RHFAC74K01V	5962F8852003VXC	QML-V Flight		Flat-14	Gold	5962F8852003VXC	0.55	Strip Pack
RHFAC74K02V	5962F8852003VXA	QML-V Flight		Flat-14	Solder Dip	5962F8852003VXA	0.55	Strip Pack
RHFAC74K03V	5962F8852003VYC	QML-V Flight	Grounded lid	Flat-14	Gold	5962F8852003VYC	0.55	Strip Pack
RHFAC74K04V	5962F8852003VYA	QML-V Flight	Grounded lid	Flat-14	Solder Dip	5962F8852003VYA	0.55	Strip Pack
RHFAC74D03V	5962F8852003VCC	QML-V flight		DIL-14	Gold	5962F8852003VCC	2.2	Strip Pack
RHFAC74K1	-	Engineering Model		Flat-14	Gold	RHFAC74K1	0.55	Strip Pack
RHFAC74K01V	5962F8752503VXC	QML-V Flight		Flat-14	Gold	5962F8752503VXC	0.55	Strip Pack
RHFAC74K02V	5962F8752503VXA	QML-V Flight		Flat-14	Solder Dip	5962F8752503VXA	0.55	Strip Pack
RHFAC74K03V	5962F8752503VYC	QML-V Flight	Grounded lid	Flat-14	Gold	5962F8752503VYC	0.55	Strip Pack
RHFAC74K04V	5962F8752503VYA	QML-V Flight	Grounded lid	Flat-14	Solder Dip	5962F8752503VYA	0.55	Strip Pack
RHFAC74D03V	5962F8752503VCC	QML-V flight		DIL-14	Gold	5962F8752503VCC	2.2	Strip Pack
RHFAC86K1	-	Engineering Model		Flat-14	Gold	RHFAC86K1	0.55	Strip Pack
RHFAC86K01V	5962F8955001VXC	QML-V Flight		Flat-14	Gold	5962F8955001VXC	0.55	Strip Pack
RHFAC86K02V	5962F8955001VXA	QML-V Flight		Flat-14	Solder Dip	5962F8955001VXA	0.55	Strip Pack
RHFAC86K03V	5962F8955001VYC	QML-V Flight	Grounded lid	Flat-14	Gold	5962F8955001VYC	0.55	Strip Pack
RHFAC86K04V	5962F8955001VYA	QML-V Flight	Grounded lid	Flat-14	Solder Dip	5962F8955001VYA	0.55	Strip Pack
RHFAC86D03V	5962F8955001VCC	QML-V flight		DIL-14	Gold	5962F8955001VCC	2.2	Strip Pack
RHFAC86K1	-	Engineering Model		Flat-14	Gold	RHFAC86K1	0.55	Strip Pack
RHFAC86K01V	5962F9068702VXC	QML-V Flight		Flat-14	Gold	5962F9068702VXC	0.55	Strip Pack



Table 13. Ordering information

ST part number	SMD pin (1)	Quality Level	Other features	Package	Finishing	Marking (2)	Mass (g)	Packing
RHFAC186K02V	5962F9068702VXA	QML-V Flight		Flat-14	Solder Dip	5962F9068702VXA	0.55	Strip Pack
RHFAC186K03V	5962F9068702VYC	QML-V Flight	Grounded lid	Flat-14	Gold	5962F9068702VYC	0.55	Strip Pack
RHFAC186K04V	5962F9068702VYA	QML-V Flight	Grounded lid	Flat-14	Solder Dip	5962F9068702VYA	0.55	Strip Pack
RHFAC138K1	-	Engineering Model		Flat-16	Gold	RHFAC138K1	0.65	Strip Pack
RHFAC138K01V	5962F8762201VXC	QML-V Flight		Flat-16	Gold	5962F8762201VXC	0.65	Strip Pack
RHFAC138K02V	5962F8762201VXA	QML-V Flight		Flat-16	Solder Dip	5962F8762201VXA	0.65	Strip Pack
RHFAC138K03V	5962F8762201VYC	QML-V Flight	Grounded lid	Flat-16	Gold	5962F8762201VYC	0.65	Strip Pack
RHFAC138K04V	5962F8762201VYA	QML-V Flight	Grounded lid	Flat-16	Solder Dip	5962F8762201VYA	0.65	Strip Pack
RHFAC138D03V	5962F8762201VEC	QML-V flight		DIL-16	Gold	5962F8762201VEC	2.2	Strip Pack
RHFAC138K1	-	Engineering Model		Flat-16	Gold	RHFAC138K1	0.65	Strip Pack
RHFAC138K01V	5962F8755403VXC	QML-V Flight		Flat-16	Gold	5962F8755403VXC	0.65	Strip Pack
RHFAC138K02V	5962F8755403VXA	QML-V Flight		Flat-16	Solder Dip	5962F8755403VXA	0.65	Strip Pack
RHFAC138K03V	5962F8755403VYC	QML-V Flight	Grounded lid	Flat-16	Gold	5962F8755403VYC	0.65	Strip Pack
RHFAC138K04V	5962F8755403VYA	QML-V Flight	Grounded lid	Flat-16	Solder Dip	5962F8755403VYA	0.65	Strip Pack
RHFAC139K1	-	Engineering Model		Flat-16	Gold	RHFAC139K1	0.65	Strip Pack
RHFAC139K01V	5962F8762301VXC	QML-V Flight		Flat-16	Gold	5962F8762301VXC	0.65	Strip Pack
RHFAC139K02V	5962F8762301VXA	QML-V Flight		Flat-16	Solder Dip	5962F8762301VXA	0.65	Strip Pack
RHFAC139K03V	5962F8762301VYC	QML-V Flight	Grounded lid	Flat-16	Gold	5962F8762301VYC	0.65	Strip Pack
RHFAC139K04V	5962F8762301VYA	QML-V Flight	Grounded lid	Flat-16	Solder Dip	5962F8762301VYA	0.65	Strip Pack
RHFAC139K1	-	Engineering Model		Flat-16	Gold	RHFAC139K1	0.65	Strip Pack
RHFAC139K01V	5962F8755302VXC	QML-V Flight		Flat-16	Gold	5962F8755302VXC	0.65	Strip Pack
RHFAC139K02V	5962F8755302VXA	QML-V Flight		Flat-16	Solder Dip	5962F8755302VXA	0.65	Strip Pack
RHFAC139K03V	5962F8755302VYC	QML-V Flight	Grounded lid	Flat-16	Gold	5962F8755302VYC	0.65	Strip Pack
RHFAC139K04V	5962F8755302VYA	QML-V Flight	Grounded lid	Flat-16	Solder Dip	5962F8755302VYA	0.65	Strip Pack
RHFAC139D03V	5962F8755302VEC	QML-V flight		DIL-16	Gold	5962F8755302VEC	2.2	Strip Pack



Table 13. Ordering information

ST part number	SMD pin (1)	Quality Level	Other features	Package	Finishing	Marking (2)	Mass (g)	Packing
RHFAC151K1	-	Engineering Model		Flat-16	Gold	RHFAC151K1	0.65	Strip Pack
RHFAC151K01V	5962F8769102VXC	QML-V Flight		Flat-16	Gold	5962F8769102VXC	0.65	Strip Pack
RHFAC151K02V	5962F8769102VXA	QML-V Flight		Flat-16	Solder Dip	5962F8769102VXA	0.65	Strip Pack
RHFAC151K03V	5962F8769102VYC	QML-V Flight	Grounded lid	Flat-16	Gold	5962F8769102VYC	0.65	Strip Pack
RHFAC151K04V	5962F8769102VYA	QML-V Flight	Grounded lid	Flat-16	Solder Dip	5962F8769102VYA	0.65	Strip Pack
RHFAC151K1	-	Engineering Model		Flat-16	Gold	RHFAC151K1	0.65	Strip Pack
RHFAC151K01V	5962F8875602VXC	QML-V Flight		Flat-16	Gold	5962F8875602VXC	0.65	Strip Pack
RHFAC151K02V	5962F8875602VXA	QML-V Flight		Flat-16	Solder Dip	5962F8875602VXA	0.65	Strip Pack
RHFAC151K03V	5962F8875602VYC	QML-V Flight	Grounded lid	Flat-16	Gold	5962F8875602VYC	0.65	Strip Pack
RHFAC151K04V	5962F8875602VYA	QML-V Flight	Grounded lid	Flat-16	Solder Dip	5962F8875602VYA	0.65	Strip Pack
RHFAC157K1	-	Engineering Model		Flat-16	Gold	RHFAC157K1	0.65	Strip Pack
RHFAC157K01V	5962F8953901VXC	QML-V Flight		Flat-16	Gold	5962F8953901VXC	0.65	Strip Pack
RHFAC157K02V	5962F8953901VXA	QML-V Flight		Flat-16	Solder Dip	5962F8953901VXA	0.65	Strip Pack
RHFAC157K03V	5962F8953901VYC	QML-V Flight	Grounded lid	Flat-16	Gold	5962F8953901VYC	0.65	Strip Pack
RHFAC157K04V	5962F8953901VYA	QML-V Flight	Grounded lid	Flat-16	Solder Dip	5962F8953901VYA	0.65	Strip Pack
RHFAC157D03V	5962F8953901VEC	QML-V flight		DIL-16	Gold	5962F8953901VEC	2.2	Strip Pack
RHFAC157K1	-	Engineering Model		Flat-16	Gold	RHFAC157K1	0.65	Strip Pack
RHFAC157K01V	5962F8968802VXC	QML-V Flight		Flat-16	Gold	5962F8968802VXC	0.65	Strip Pack
RHFAC157K02V	5962F8968802VXA	QML-V Flight		Flat-16	Solder Dip	5962F8968802VXA	0.65	Strip Pack
RHFAC157K03V	5962F8968802VYC	QML-V Flight	Grounded lid	Flat-16	Gold	5962F8968802VYC	0.65	Strip Pack
RHFAC157K04V	5962F8968802VYA	QML-V Flight	Grounded lid	Flat-16	Solder Dip	5962F8968802VYA	0.65	Strip Pack
RHFAC157D03V	5962F8968802VEC	QML-V flight		DIL-16	Gold	5962F8968802VEC	2.2	Strip Pack
RHFAC161K1	-	Engineering Model		Flat-16	Gold	RHFAC161K1	0.65	Strip Pack
RHFAC161K01V	5962F8956101VXC	QML-V Flight		Flat-16	Gold	5962F8956101VXC	0.65	Strip Pack
RHFAC161K02V	5962F8956101VXA	QML-V Flight		Flat-16	Solder Dip	5962F8956101VXA	0.65	Strip Pack



Table 13. Ordering information

ST part number	SMD pin (1)	Quality Level	Other features	Package	Finishing	Marking (2)	Mass (g)	Packing
RHFAC161K03V	5962F8956101VYC	QML-V Flight	Grounded lid	Flat-16	Gold	5962F8956101VYC	0.65	Strip Pack
RHFAC161K04V	5962F8956101VYA	QML-V Flight	Grounded lid	Flat-16	Solder Dip	5962F8956101VYA	0.65	Strip Pack
RHFAC161D03V	5962F8956101VEC	QML-V flight		DIL-16	Gold	5962F8956101VEC	2.2	Strip Pack
RHFACT161K1	-	Engineering Model		Flat-16	Gold	RHFACT161K1	0.65	Strip Pack
RHFACT161K01V	5962F9172202VXC	QML-V Flight		Flat-16	Gold	5962F9172202VXC	0.65	Strip Pack
RHFACT161K02V	5962F9172202VXA	QML-V Flight		Flat-16	Solder Dip	5962F9172202VXA	0.65	Strip Pack
RHFACT161K03V	5962F9172202VYC	QML-V Flight	Grounded lid	Flat-16	Gold	5962F9172202VYC	0.65	Strip Pack
RHFACT161K04V	5962F9172202VYA	QML-V Flight	Grounded lid	Flat-16	Solder Dip	5962F9172202VYA	0.65	Strip Pack
RHFAC174K1	-	Engineering Model		Flat-16	Gold	RHFAC174K1	0.65	Strip Pack
RHFAC174K01V	5962F8762602VXC	QML-V Flight		Flat-16	Gold	5962F8762602VXC	0.65	Strip Pack
RHFAC174K02V	5962F8762602VXA	QML-V Flight		Flat-16	Solder Dip	5962F8762602VXA	0.65	Strip Pack
RHFAC174K03V	5962F8762602VYC	QML-V Flight	Grounded lid	Flat-16	Gold	5962F8762602VYC	0.65	Strip Pack
RHFAC174K04V	5962F8762602VYA	QML-V Flight	Grounded lid	Flat-16	Solder Dip	5962F8762602VYA	0.65	Strip Pack
RHFACT174K1	-	Engineering Model		Flat-16	Gold	RHFACT174K1	0.65	Strip Pack
RHFACT174K01V	5962F8775702VXC	QML-V Flight		Flat-16	Gold	5962F8775702VXC	0.65	Strip Pack
RHFACT174K02V	5962F8775702VXA	QML-V Flight		Flat-16	Solder Dip	5962F8775702VXA	0.65	Strip Pack
RHFACT174K03V	5962F8775702VYC	QML-V Flight	Grounded lid	Flat-16	Gold	5962F8775702VYC	0.65	Strip Pack
RHFACT174K04V	5962F8775702VYA	QML-V Flight	Grounded lid	Flat-16	Solder Dip	5962F8775702VYA	0.65	Strip Pack
RHFAC191K1	-	Engineering Model		Flat-16	Gold	RHFAC191K1	0.65	Strip Pack
RHFAC191K01V	5962F8974902VXC	QML-V Flight		Flat-16	Gold	5962F8974902VXC	0.65	Strip Pack
RHFAC191K02V	5962F8974902VXA	QML-V Flight		Flat-16	Solder Dip	5962F8974902VXA	0.65	Strip Pack
RHFAC191K03V	5962F8974902VYC	QML-V Flight	Grounded lid	Flat-16	Gold	5962F8974902VYC	0.65	Strip Pack
RHFAC191K04V	5962F8974902VYA	QML-V Flight	Grounded lid	Flat-16	Solder Dip	5962F8974902VYA	0.65	Strip Pack
RHFAC191D03V	5962F8974902VEC	QML-V flight		DIL-16	Gold	5962F8974902VEC	2.2	Strip Pack
RHFACT191K1	-	Engineering Model		Flat-16	Gold	RHFACT191K1	0.65	Strip Pack



Table 13. Ordering information

ST part number	SMD pin (1)	Quality Level	Other features	Package	Finishing	Marking (2)	Mass (g)	Packing
RHFAC191K01V	5962F0422801VXC	QML-V Flight		Flat-16	Gold	5962F0422801VXC	0.65	Strip Pack
RHFAC191K02V	5962F0422801VXA	QML-V Flight		Flat-16	Solder Dip	5962F0422801VXA	0.65	Strip Pack
RHFAC191K03V	5962F0422801VYC	QML-V Flight	Grounded lid	Flat-16	Gold	5962F0422801VYC	0.65	Strip Pack
RHFAC191K04V	5962F0422801VYA	QML-V Flight	Grounded lid	Flat-16	Solder Dip	5962F0422801VYA	0.65	Strip Pack
RHFAC240K1	-	Engineering Model		Flat-20	Gold	RHFAC240K1	0.9	Strip Pack
RHFAC240K01V	5962F8755001VXC	QML-V Flight		Flat-20	Gold	5962F8755001VXC	0.9	Strip Pack
RHFAC240K02V	5962F8755001VXA	QML-V Flight		Flat-20	Solder Dip	5962F8755001VXA	0.9	Strip Pack
RHFAC240K03V	5962F8755001VYC	QML-V Flight	Grounded lid	Flat-20	Gold	5962F8755001VYC	0.9	Strip Pack
RHFAC240K04V	5962F8755001VYA	QML-V Flight	Grounded lid	Flat-20	Solder Dip	5962F8755001VYA	0.9	Strip Pack
RHFAC240K1	-	Engineering Model		Flat-20	Gold	RHFAC240K1	0.9	Strip Pack
RHFAC240K01V	5962F8775903VXC	QML-V Flight		Flat-20	Gold	5962F8775903VXC	0.9	Strip Pack
RHFAC240K02V	5962F8775903VXA	QML-V Flight		Flat-20	Solder Dip	5962F8775903VXA	0.9	Strip Pack
RHFAC240K03V	5962F8775903VYC	QML-V Flight	Grounded lid	Flat-20	Gold	5962F8775903VYC	0.9	Strip Pack
RHFAC240K04V	5962F8775903VYA	QML-V Flight	Grounded lid	Flat-20	Solder Dip	5962F8775903VYA	0.9	Strip Pack
RHFAC244K1	-	Engineering Model		Flat-20	Gold	RHFAC244K1	0.9	Strip Pack
RHFAC244K01V	5962F8755201VXC	QML-V Flight		Flat-20	Gold	5962F8755201VXC	0.9	Strip Pack
RHFAC244K02V	5962F8755201VXA	QML-V Flight		Flat-20	Solder Dip	5962F8755201VXA	0.9	Strip Pack
RHFAC244K03V	5962F8755201VYC	QML-V Flight	Grounded lid	Flat-20	Gold	5962F8755201VYC	0.9	Strip Pack
RHFAC244K04V	5962F8755201VYA	QML-V Flight	Grounded lid	Flat-20	Solder Dip	5962F8755201VYA	0.9	Strip Pack
RHFAC244K1	-	Engineering Model		Flat-20	Gold	RHFAC244K1	0.9	Strip Pack
RHFAC244K01V	5962F8776003VXC	QML-V Flight		Flat-20	Gold	5962F8776003VXC	0.9	Strip Pack
RHFAC244K02V	5962F8776003VXA	QML-V Flight		Flat-20	Solder Dip	5962F8776003VXA	0.9	Strip Pack
RHFAC244K03V	5962F8776003VYC	QML-V Flight	Grounded lid	Flat-20	Gold	5962F8776003VYC	0.9	Strip Pack
RHFAC244K04V	5962F8776003VYA	QML-V Flight	Grounded lid	Flat-20	Solder Dip	5962F8776003VYA	0.9	Strip Pack
RHFAC245K1	-	Engineering Model		Flat-20	Gold	RHFAC245K1	0.9	Strip Pack



Table 13. Ordering information

ST part number	SMD pin (1)	Quality Level	Other features	Package	Finishing	Marking (2)	Mass (g)	Packing
RHFAC245K01V	5962F8775802VXC	QML-V Flight		Flat-20	Gold	5962F8775802VXC	0.9	Strip Pack
RHFAC245K02V	5962F8775802VXA	QML-V Flight		Flat-20	Solder Dip	5962F8775802VXA	0.9	Strip Pack
RHFAC245K03V	5962F8775802VYC	QML-V Flight	Grounded lid	Flat-20	Gold	5962F8775802VYC	0.9	Strip Pack
RHFAC245K04V	5962F8775802VYA	QML-V Flight	Grounded lid	Flat-20	Solder Dip	5962F8775802VYA	0.9	Strip Pack
RHFAC245K1	-	Engineering Model		Flat-20	Gold	RHFACT245K1	0.9	Strip Pack
RHFAC245K01V	5962F8766303VXC	QML-V Flight		Flat-20	Gold	5962F8766303VXC	0.9	Strip Pack
RHFAC245K02V	5962F8766303VXA	QML-V Flight		Flat-20	Solder Dip	5962F8766303VXA	0.9	Strip Pack
RHFAC245K03V	5962F8766303VYC	QML-V Flight	Grounded lid	Flat-20	Gold	5962F8766303VYC	0.9	Strip Pack
RHFAC245K04V	5962F8766303VYA	QML-V Flight	Grounded lid	Flat-20	Solder Dip	5962F8766303VYA	0.9	Strip Pack
RHFAC273K1	-	Engineering Model		Flat-20	Gold	RHFACT273K1	0.9	Strip Pack
RHFAC273K01V	5962F8775601VXC	QML-V Flight		Flat-20	Gold	5962F8775601VXC	0.9	Strip Pack
RHFAC273K02V	5962F8775601VXA	QML-V Flight		Flat-20	Solder Dip	5962F8775601VXA	0.9	Strip Pack
RHFAC273K03V	5962F8775601VYC	QML-V Flight	Grounded lid	Flat-20	Gold	5962F8775601VYC	0.9	Strip Pack
RHFAC273K04V	5962F8775601VYA	QML-V Flight	Grounded lid	Flat-20	Solder Dip	5962F8775601VYA	0.9	Strip Pack
RHFAC273K1	-	Engineering Model		Flat-20	Gold	RHFACT273K1	0.9	Strip Pack
RHFAC273K01V	5962F0152701VXC	QML-V Flight		Flat-20	Gold	5962F0152701VXC	0.9	Strip Pack
RHFAC273K02V	5962F0152701VXA	QML-V Flight		Flat-20	Solder Dip	5962F0152701VXA	0.9	Strip Pack
RHFAC273K03V	5962F0152701VYC	QML-V Flight	Grounded lid	Flat-20	Gold	5962F0152701VYC	0.9	Strip Pack
RHFAC273K04V	5962F0152701VYA	QML-V Flight	Grounded lid	Flat-20	Solder Dip	5962F0152701VYA	0.9	Strip Pack
RHFAC373K1	-	Engineering Model		Flat-20	Gold	RHFACT373K1	0.9	Strip Pack
RHFAC373K01V	5962F8755501VXC	QML-V Flight		Flat-20	Gold	5962F8755501VXC	0.9	Strip Pack
RHFAC373K02V	5962F8755501VXA	QML-V Flight		Flat-20	Solder Dip	5962F8755501VXA	0.9	Strip Pack
RHFAC373K03V	5962F8755501VYC	QML-V Flight	Grounded lid	Flat-20	Gold	5962F8755501VYC	0.9	Strip Pack
RHFAC373K04V	5962F8755501VYA	QML-V Flight	Grounded lid	Flat-20	Solder Dip	5962F8755501VYA	0.9	Strip Pack
RHFAC373K1	-	Engineering Model		Flat-20	Gold	RHFACT373K1	0.9	Strip Pack



Table 13. Ordering information

ST part number	SMD pin (1)	Quality Level	Other features	Package	Finishing	Marking (2)	Mass (g)	Packing
RHFAC373K01V	5962F8755603VXC	QML-V Flight		Flat-20	Gold	5962F8755603VXC	0.9	Strip Pack
RHFAC373K02V	5962F8755603VXA	QML-V Flight		Flat-20	Solder Dip	5962F8755603VXA	0.9	Strip Pack
RHFAC373K03V	5962F8755603VYC	QML-V Flight	Grounded lid	Flat-20	Gold	5962F8755603VYC	0.9	Strip Pack
RHFAC373K04V	5962F8755603VYA	QML-V Flight	Grounded lid	Flat-20	Solder Dip	5962F8755603VYA	0.9	Strip Pack
RHFAC374K1	-	Engineering Model		Flat-20	Gold	RHFAC374K1	0.9	Strip Pack
RHFAC374K01V	5962F8769401VXC	QML-V Flight		Flat-20	Gold	5962F8769401VXC	0.9	Strip Pack
RHFAC374K02V	5962F8769401VXA	QML-V Flight		Flat-20	Solder Dip	5962F8769401VXA	0.9	Strip Pack
RHFAC374K03V	5962F8769401VYC	QML-V Flight	Grounded lid	Flat-20	Gold	5962F8769401VYC	0.9	Strip Pack
RHFAC374K04V	5962F8769401VYA	QML-V Flight	Grounded lid	Flat-20	Solder Dip	5962F8769401VYA	0.9	Strip Pack
RHFAC374K1	-	Engineering Model		Flat-20	Gold	RHFAC374K1	0.9	Strip Pack
RHFAC374K01V	5962F8763103VXC	QML-V Flight		Flat-20	Gold	5962F8763103VXC	0.9	Strip Pack
RHFAC374K02V	5962F8763103VXA	QML-V Flight		Flat-20	Solder Dip	5962F8763103VXA	0.9	Strip Pack
RHFAC374K03V	5962F8763103VYC	QML-V Flight	Grounded lid	Flat-20	Gold	5962F8763103VYC	0.9	Strip Pack
RHFAC374K04V	5962F8763103VYA	QML-V Flight	Grounded lid	Flat-20	Solder Dip	5962F8763103VYA	0.9	Strip Pack
RHFAC521K1	-	Engineering Model		Flat-20	Gold	RHFAC521K1	0.9	Strip Pack
RHFAC521K01V	5962F9098503VXC	QML-V Flight		Flat-20	Gold	5962F9098503VXC	0.9	Strip Pack
RHFAC521K02V	5962F9098503VXA	QML-V Flight		Flat-20	Solder Dip	5962F9098503VXA	0.9	Strip Pack
RHFAC521K03V	5962F9098503VYC	QML-V Flight	Grounded lid	Flat-20	Gold	5962F9098503VYC	0.9	Strip Pack
RHFAC521K04V	5962F9098503VYA	QML-V Flight	Grounded lid	Flat-20	Solder Dip	5962F9098503VYA	0.9	Strip Pack
RHFAC540K1	-	Engineering Model		Flat-20	Gold	RHFAC540K1	0.9	Strip Pack
RHFAC540K01V	5962F8769502VXC	QML-V Flight		Flat-20	Gold	5962F8769502VXC	0.9	Strip Pack
RHFAC540K02V	5962F8769502VXA	QML-V Flight		Flat-20	Solder Dip	5962F8769502VXA	0.9	Strip Pack
RHFAC540K03V	5962F8769502VYC	QML-V Flight	Grounded lid	Flat-20	Gold	5962F8769502VYC	0.9	Strip Pack
RHFAC540K04V	5962F8769502VYA	QML-V Flight	Grounded lid	Flat-20	Solder Dip	5962F8769502VYA	0.9	Strip Pack
RHFAC541K1	-	Engineering Model		Flat-20	Gold	RHFAC541K1	0.9	Strip Pack



Table 13. Ordering information

ST part number	SMD pin (1)	Quality Level	Other features	Package	Finishing	Marking (2)	Mass (g)	Packing
RHFAC541K01V	5962F8870601VXC	QML-V Flight		Flat-20	Gold	5962F8870601VXC	0.9	Strip Pack
RHFAC541K02V	5962F8870601VXA	QML-V Flight		Flat-20	Solder Dip	5962F8870601VXA	0.9	Strip Pack
RHFAC541K03V	5962F8870601VYC	QML-V Flight	Grounded lid	Flat-20	Gold	5962F8870601VYC	0.9	Strip Pack
RHFAC541K04V	5962F8870601VYA	QML-V Flight	Grounded lid	Flat-20	Solder Dip	5962F8870601VYA	0.9	Strip Pack
RHFAC541K1	-	Engineering Model		Flat-20	Gold	RHFAC541K1	0.9	Strip Pack
RHFAC541K01V	5962F8979502VXC	QML-V Flight		Flat-20	Gold	5962F8979502VXC	0.9	Strip Pack
RHFAC541K02V	5962F8979502VXA	QML-V Flight		Flat-20	Solder Dip	5962F8979502VXA	0.9	Strip Pack
RHFAC541K03V	5962F8979502VYC	QML-V Flight	Grounded lid	Flat-20	Gold	5962F8979502VYC	0.9	Strip Pack
RHFAC541K04V	5962F8979502VYA	QML-V Flight	Grounded lid	Flat-20	Solder Dip	5962F8979502VYA	0.9	Strip Pack
RHFAC574K1	-	Engineering Model		Flat-20	Gold	RHFAC574K1	0.9	Strip Pack
RHFAC574K01V	5962F9677302VXC	QML-V Flight		Flat-20	Gold	5962F9677302VXC	0.9	Strip Pack
RHFAC574K02V	5962F9677302VXA	QML-V Flight		Flat-20	Solder Dip	5962F9677302VXA	0.9	Strip Pack
RHFAC574K03V	5962F9677302VYC	QML-V Flight	Grounded lid	Flat-20	Gold	5962F9677302VYC	0.9	Strip Pack
RHFAC574K04V	5962F9677302VYA	QML-V Flight	Grounded lid	Flat-20	Solder Dip	5962F9677302VYA	0.9	Strip Pack
RHFAC574K1	-	Engineering Model		Flat-20	Gold	RHFAC574K1	0.9	Strip Pack
RHFAC574K01V	5962F8960102VXC	QML-V Flight		Flat-20	Gold	5962F8960102VXC	0.9	Strip Pack
RHFAC574K02V	5962F8960102VXA	QML-V Flight		Flat-20	Solder Dip	5962F8960102VXA	0.9	Strip Pack
RHFAC574K03V	5962F8960102VYC	QML-V Flight	Grounded lid	Flat-20	Gold	5962F8960102VYC	0.9	Strip Pack
RHFAC574K04V	5962F8960102VYA	QML-V Flight	Grounded lid	Flat-20	Solder Dip	5962F8960102VYA	0.9	Strip Pack
RHFAC2525K1	-	Engineering Model		Flat-14	Gold	RHFAC2525K1	0.55	Strip Pack
RHFAC2525K01V	5962F9217402VXC	QML-V Flight		Flat-14	Gold	5962F9217402VXC	0.55	Strip Pack
RHFAC2525K02V	5962F9217402VXA	QML-V Flight		Flat-14	Solder Dip	5962F9217402VXA	0.55	Strip Pack
RHFAC2525K03V	5962F9217402VYC	QML-V Flight	Grounded lid	Flat-14	Gold	5962F9217402VYC	0.55	Strip Pack
RHFAC2525K04V	5962F9217402VYA	QML-V Flight	Grounded lid	Flat-14	Solder Dip	5962F9217402VYA	0.55	Strip Pack
RHFAC1624K1	-	Engineering Model		Flat-48	Gold	RHFAC1624K1	1.5	Strip Pack



Table 13. Ordering information

ST part number	SMD pin (1)	Quality Level	Other features	Package	Finishing	Marking (2)	Mass (g)	Packing
RHFAC16244K01V	5962F0421001VXC	QML-V Flight		Flat-48	Gold	5962F0421001VXC	1.5	Strip Pack
RHFAC16244K02V	5962F0421001VXA	QML-V Flight		Flat-48	Solder Dip	5962F0421001VXA	1.5	Strip Pack
RHFAC16244K03V	5962F0421001VYC	QML-V Flight	Grounded lid	Flat-14	Gold	5962F0421001VYC	0.55	Strip Pack
RHFAC16244K04V	5962F0421001VYA	QML-V Flight	Grounded lid	Flat-14	Solder Dip	5962F0421001VYA	0.55	Strip Pack
RHFAC16244K1	-	Engineering Model		Flat-48	Gold	RHFAC16244K1	1.5	Strip Pack
RHFAC16244K01V	5962F9202202VYC	QML-V Flight		Flat-48	Gold	5962F9202202VYC	1.5	Strip Pack
RHFAC16244K02V	5962F9202202VYA	QML-V Flight		Flat-48	Solder Dip	5962F9202202VYA	1.5	Strip Pack
RHFAC16244K03V	5962F9202202VZC	QML-V Flight	Grounded lid	Flat-48	Gold	5962F9202202VZC	1.5	Strip Pack
RHFAC16244K04V	5962F9202202VZA	QML-V Flight	Grounded lid	Flat-48	Solder Dip	5962F9202202VZA	1.5	Strip Pack
RHFAC16245K1	-	Engineering Model		Flat-48	Gold	RHFAC16245K1	1.5	Strip Pack
RHFAC16245K01V	5962F0421101VXC	QML-V Flight		Flat-48	Gold	5962F0421101VXC	1.5	Strip Pack
RHFAC16245K02V	5962F0421101VXA	QML-V Flight		Flat-48	Solder Dip	5962F0421101VXA	1.5	Strip Pack
RHFAC16245K03V	5962F0421101VYC	QML-V Flight	Grounded lid	Flat-48	Gold	5962F0421101VYC	1.5	Strip Pack
RHFAC16245K04V	5962F0421101VYA	QML-V Flight	Grounded lid	Flat-48	Solder Dip	5962F0421101VYA	1.5	Strip Pack
RHFAC16245K1	-	Engineering Model		Flat-48	Gold	RHFAC16245K1	1.5	Strip Pack
RHFAC16245K01V	5962F9202302VYC	QML-V Flight		Flat-48	Gold	5962F9202302VYC	1.5	Strip Pack
RHFAC16245K02V	5962F9202302VYA	QML-V Flight		Flat-48	Solder Dip	5962F9202302VYA	1.5	Strip Pack
RHFAC16245K03V	5962F9202302VZC	QML-V Flight	Grounded lid	Flat-48	Gold	5962F9202302VZC	1.5	Strip Pack
RHFAC16245K04V	5962F9202302VZA	QML-V Flight	Grounded lid	Flat-48	Solder Dip	5962F9202302VZA	1.5	Strip Pack
RHFAC16373K1	-	Engineering Model		Flat-48	Gold	RHFAC16373K1	1.5	Strip Pack
RHFAC16373K01V	5962F0421201VXC	QML-V Flight		Flat-48	Gold	5962F0421201VXC	1.5	Strip Pack
RHFAC16373K02V	5962F0421201VXA	QML-V Flight		Flat-48	Solder Dip	5962F0421201VXA	1.5	Strip Pack
RHFAC16373K03V	5962F0421201VYC	QML-V Flight	Grounded lid	Flat-48	Gold	5962F0421201VYC	1.5	Strip Pack
RHFAC16373K04V	5962F0421201VYA	QML-V Flight	Grounded lid	Flat-48	Solder Dip	5962F0421201VYA	1.5	Strip Pack
RHFAC16373K1	-	Engineering Model		Flat-48	Gold	RHFAC16373K1	1.5	Strip Pack



Table 13. Ordering information

ST part number	SMD pin (1)	Quality Level	Other features	Package	Finishing	Marking (2)	Mass (g)	Packing
RHFACT16373K01V	5962F9202402VYC	QML-V Flight		Flat-48	Gold	5962F9202402VYC	1.5	Strip Pack
RHFACT16373K02V	5962F9202402VYA	QML-V Flight		Flat-48	Solder Dip	5962F9202402VYA	1.5	Strip Pack
RHFACT16373K03V	5962F9202402VZC	QML-V Flight	Grounded lid	Flat-48	Gold	5962F9202402VZC	1.5	Strip Pack
RHFACT16373K04V	5962F9202402VZA	QML-V Flight	Grounded lid	Flat-48	Solder dip	5962F9202402VZA	1.5	Strip Pack
RHFAC16374K1		Engineering Model		Flat-48	Gold	RHFAC16374K1	1.5	Strip Pack
RHFAC16374K01V	5962F0421301VXC	QML-V Flight		Flat-48	Gold	5962F0421301VXC	1.5	Strip Pack
RHFAC16374K02V	5962F0421301VXA	QML-V Flight		Flat-48	Solder Dip	5962F0421301VXA	1.5	Strip Pack
RHFAC16374K03V	5962F0421301VYC	QML-V Flight	Grounded lid	Flat-48	Gold	5962F0421301VYC	1.5	Strip Pack
RHFAC16374K04V	5962F0421301VYA	QML-V Flight	Grounded lid	Flat-48	Solder Dip	5962F0421301VYA	1.5	Strip Pack
RHFACT16374K1		Engineering Model		Flat-48	Gold	RHFACT16374K1	1.5	Strip Pack
RHFACT16374K01V	5962F9202502VYC	QML-V Flight		Flat-48	Gold	5962F9202502VYC	1.5	Strip Pack
RHFACT16374K02V	5962F9202502VYA	QML-V Flight		Flat-48	Solder Dip	5962F9202502VYA	1.5	Strip Pack
RHFACT16374K03V	5962F9202502VZC	QML-V Flight	Grounded lid	Flat-48	Gold	5962F9202502VZC	1.5	Strip Pack
RHFACT16374K04V	5962F9202502VZA	QML-V Flight	Grounded lid	Flat-48	Solder Dip	5962F9202502VZA	1.5	Strip Pack
RHRAC164245K1(3)		Engineering Model		Flat-48	Gold	RHRAC164245K1	2	Strip Pack
RHRAC164245K01V	5962R9858008VYC	QML-V Flight	100 krad	Flat-48	Gold	5962R9858008VYC	2	Strip Pack
RHRAC164245K03V	5962R9858008VZC	QML-V Flight	100 krad-grounded lid	Flat-48	Gold	5962R9858008VZC	2	Strip Pack

1. SMD standard microcircuit drawing.

2. Specific marking only. Complete marking includes the following:

- SMD pin (as indicated in above table)
- ST logo
- Date code (date the package was sealed) in YYWWA (year, week, and lot index of week)
- QML logo (Q or V)
- Country of origin (FR = France)

3. A dedicated datasheet exists for this part

7 Other information

Date code

The date code is structured as engineering model: EM xyywwz

Where:

x = 3 (EM only), assembly location Rennes (France)

yy = last two digits of the year ww = week digits

z = lot index of the week

Product documentation

Each product shipment includes a set of associated documentation within the shipment box. This documentation depends on the quality level of the products, as detailed in the table below.

The certificate of conformance is provided on paper whatever the quality level. For QML parts, complete documentation, including the certificate of conformance, is provided on a CDROM.

Table 14. Product documentation

Quality level	Documentation
Engineering model	Certificate of conformance including: Customer name Customer purchase order number ST sales order number and item ST part number Quantity delivered Date code Reference to ST datasheet Reference to TN1181 on engineering models ST Rennes assembly lot ID

Table 14. Product documentation (continued)

Quality level	Documentation
QML-V flight	Certificate of Conformance including: Customer name Customer purchase order number ST sales order number and item ST part number Quantity delivered Date code Serial numbers Group C reference Group D reference Reference to the applicable SMD ST Rennes assembly lot ID
	Quality control inspection (groups A, B, C, D, E)
	Screening electrical data in/out summary
	Precap report
	PIND (particle impact noise detection) test
	SEM (scanning electronic microscope) inspection report
	X-ray plates

8 Revision history

Table 15. Document revision history

Date	Revision	Changes
06-Apr-2010	1	Initial release. The information in this data brief was previously published in a datasheet (document ID 17145).
02-Aug-2011	2	Added Note: on page 11, Note: on page 12, Note: on page 13, Note: on page 14, Note: on page 15, Note: on page 15, Note: on page 17 and in the "Pin connections" diagram on the cover page
23-Apr-2012	3	Updated drawing Flat-20 on the cover page, added list of tables and figures, updated title of Table 4 and Table 5, reformatted Section 4: Package mechanical data and updated titles of Figure 2 to 8 and titles and headers of Table 6 to 12, updated data of Table 10 and Table 12, minor text corrections throughout document.
23-May-2013	4	Updated operating voltage in Features Updated Table 1: Device summary, Table 6, Table 7, Table 8, Table 9, Table 10, Table 11, Table 12, and Table 13: Ordering information. Added Section 6: Other information
09-Apr-2014	5	Updated ceramic Flat-14 package in Figure 2 and Table 6 Specified MIL-STD-1835 for Flat 14 (Table 6), DIL 14 (Table 7), Flat 16 (Table 8), DIL 16 (Table 9) and DIL 20 (Table 11) packages Removed "DSCC" from ceramic Flat-20 package (Figure 6 and Figure 10) Replaced "ESCC" with "QML-V" in title of Table 14
18-Jan-2017	6	Features: removed "Power-down input protection" Table 1: Device summary: removed footnote 1 from 54AC521 and 54AC540, added footnote 2, and updated general note below table. Table 2: Absolute maximum ratings - 54AC series: updated value of V_I parameter. Table 3: Absolute maximum ratings - 54ACT series: added footnote 1; updated values of V_{CC} and V_I parameters. Section 4: Package information: updated layout of this section and removed superfluous information. Table 13: Ordering information: updated marking of order code RHRAC164245K1, added footnote 2, and updated general note below table. Table 14: Documentation provided for QML-V flight: updated documentation information for engineering model.
13-Dec-2018	7	Added: feature on the cover page, ESD parameter in <i>Table 2: Absolute maximum ratings - 54AC series</i> , <i>Table 3: Absolute maximum ratings - 54ACT series</i> and new <i>Section 4: Radiations</i> . Updated: Description on the cover page, <i>Table 13: Ordering information</i> and <i>Section 7: Other information</i> .
18-Apr-2019	8	Updated <i>Table 13: Ordering information</i> .
26-Nov-2019	9	Updated <i>Table 13: Ordering information</i> .

IMPORTANT NOTICE – PLEASE READ CAREFULLY

STMicroelectronics NV and its subsidiaries (“ST”) reserve the right to make changes, corrections, enhancements, modifications, and improvements to ST products and/or to this document at any time without notice. Purchasers should obtain the latest relevant information on ST products before placing orders. ST products are sold pursuant to ST’s terms and conditions of sale in place at the time of order acknowledgement.

Purchasers are solely responsible for the choice, selection, and use of ST products and ST assumes no liability for application assistance or the design of Purchasers’ products.

No license, express or implied, to any intellectual property right is granted by ST herein.

Resale of ST products with provisions different from the information set forth herein shall void any warranty granted by ST for such product.

ST and the ST logo are trademarks of ST. For additional information about ST trademarks, please refer to www.st.com/trademarks. All other product or service names are the property of their respective owners.

Information in this document supersedes and replaces information previously supplied in any prior versions of this document.

© 2019 STMicroelectronics – All rights reserved

