

# MC14175B

## Quad Type D Flip-Flop

The MC14175B quad type D flip-flop is constructed with MOS P-channel and N-channel enhancement mode devices in a single monolithic structure. Each of the four flip-flops is positive-edge triggered by a common clock input (C). An active-low reset input (R) asynchronously resets all flip-flops. Each flip-flop has independent Data (D) inputs and complementary outputs (Q and  $\bar{Q}$ ). These devices may be used as shift register elements or as type T flip-flops for counter and toggle applications.

### Features

- Complementary Outputs
- Static Operation
- All Inputs and Outputs Buffered
- Diode Protection on All Inputs
- Supply Voltage Range = 3.0 Vdc to 18 Vdc
- Output Compatible with Two Low-Power TTL Loads or One Low-Power Schottky TTL Load
- Functional Equivalent to TTL 74175
- These Devices are Pb-Free and are RoHS Compliant
- NLV Prefix for Automotive and Other Applications Requiring Unique Site and Control Change Requirements; AEC-Q100 Qualified and PPAP Capable\*

### MAXIMUM RATINGS (Voltages Referenced to $V_{SS}$ )

| Parameter   | Symbol            | Value                  | Unit               |
|---|-------------------|------------------------|--------------------|
| DC Supply Voltage Range                           | $V_{DD}$          | -0.5 to +18.0          | V                  |
| Input or Output Voltage Range (DC or Transient)   | $V_{in}, V_{out}$ | -0.5 to $V_{DD}$ + 0.5 | V                  |
| Input or Output Current (DC or Transient) per Pin | $I_{in}, I_{out}$ | $\pm 10$               | mA                 |
| Power Dissipation per Package (Note 1)            | $P_D$             | 500                    | mW                 |
| Ambient Temperature Range                         | $T_A$             | -55 to +125            | $^{\circ}\text{C}$ |
| Storage Temperature Range                         |                   | -65 to +150            | $^{\circ}\text{C}$ |
| Lead Temperature (8-Second Soldering)             |                   | 260                    | $^{\circ}\text{C}$ |

Stresses exceeding those listed in the Maximum Ratings table may damage the device. If any of these limits are exceeded, device functionality should not be assumed, damage may occur and reliability may be affected.

1. Temperature Derating: "D/DW" Packages: -7.0 mW/ $^{\circ}\text{C}$  From 65 $^{\circ}\text{C}$  To 125 $^{\circ}\text{C}$

This device contains protection circuitry to guard against damage due to high static voltages or electric fields. However, precautions must be taken to avoid applications of any voltage higher than maximum rated voltages to this high-impedance circuit. For proper operation,  $V_{in}$  and  $V_{out}$  should be constrained to the range  $V_{SS} \leq (V_{in} \text{ or } V_{out}) \leq V_{DD}$ .

Unused inputs must always be tied to an appropriate logic voltage level (e.g., either  $V_{SS}$  or  $V_{DD}$ ). Unused outputs must be left open.

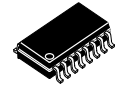


ON Semiconductor®

<http://onsemi.com>

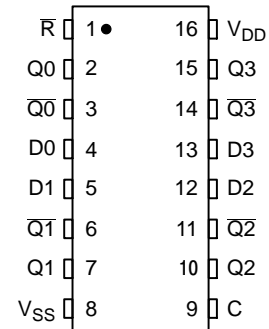


SOIC-16  
D SUFFIX  
CASE 751B



SOEIAJ-16  
F SUFFIX  
CASE 966

### PIN ASSIGNMENT



### MARKING DIAGRAMS



SOIC-16



SOEIAJ-16

A = Assembly Location  
WL, L = Wafer Lot  
YY, Y = Year  
WW, W = Work Week  
G = Pb-Free Package

### ORDERING INFORMATION

| Device         | Package             | Shipping†        |
|----------------|---------------------|------------------|
| MC14175BDG     | SOIC-16 (Pb-Free)   | 48 Units/Rail    |
| MC14175BDR2G   | SOIC-16 (Pb-Free)   | 2500/Tape & Reel |
| NLV14175BDR2G* | SOIC-16 (Pb-Free)   | 2500/Tape & Reel |
| MC14175BFELG   | SOEIAJ-16 (Pb-Free) | 2000/Tape & Reel |

†For information on tape and reel specifications, including part orientation and tape sizes, please refer to our Tape and Reel Packaging Specifications Brochure, BRD8011/D.

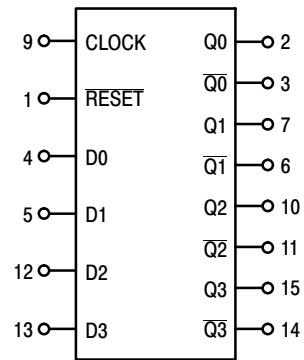
# MC14175B

## TRUTH TABLE

| Inputs |      |       | Outputs |           |
|--------|------|-------|---------|-----------|
| Clock  | Data | Reset | Q       | $\bar{Q}$ |
|        | 0    | 1     | 0       | 1         |
|        | 1    | 1     | 1       | 0         |
|        | X    | 1     | Q       | $\bar{Q}$ |
| X      | X    | 0     | 0       | 1         |

No Change

X = Don't Care



$V_{DD}$  = PIN 16  
 $V_{SS}$  = PIN 8

Figure 1. Block Diagram

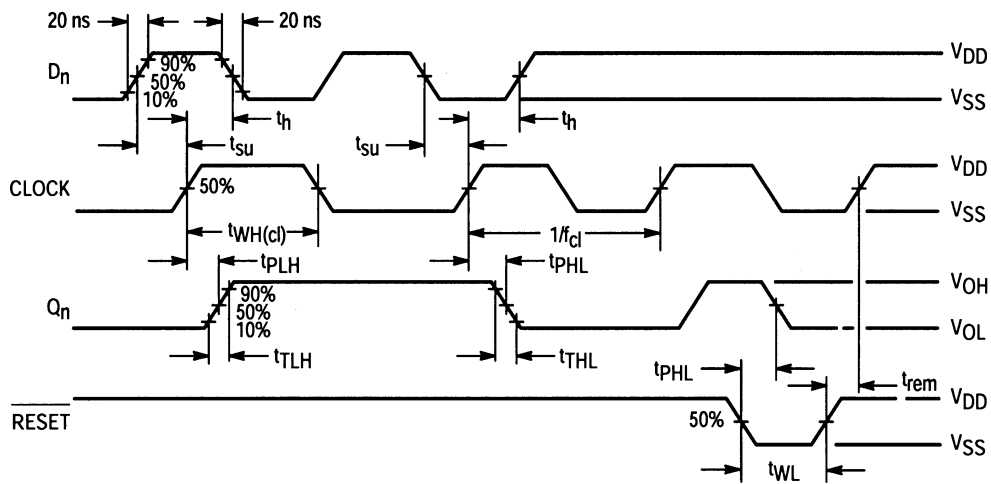


Figure 2. Timing Diagram

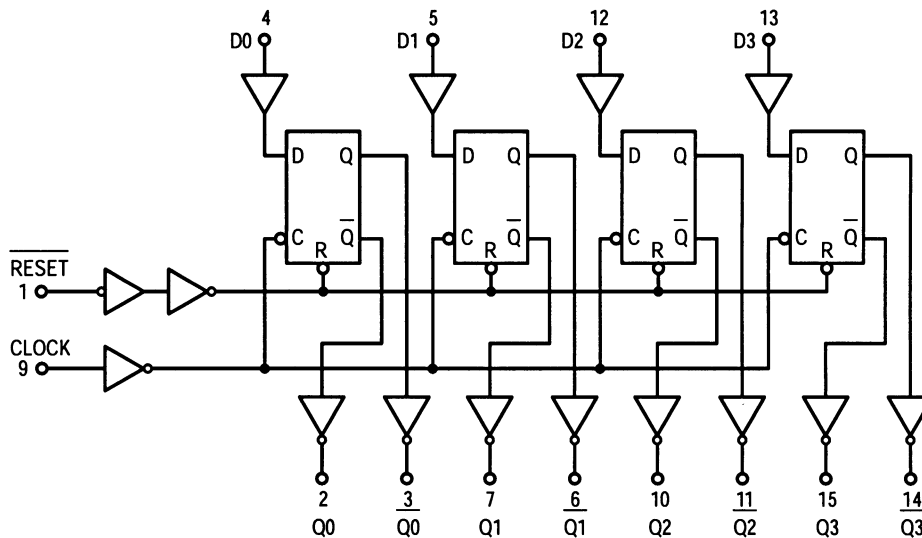


Figure 3. Functional Block Diagram

# MC14175B

## ELECTRICAL CHARACTERISTICS (Voltages Referenced to $V_{SS}$ )

| Characteristic  | Symbol                | $V_{DD}$<br>Vdc | -55°C  |           | 25°C  |                 |           | 125°C |           | Unit      |
|---|-----------------------|-----------------|--|-----------|-------|-----------------|-----------|-------|-----------|-----------|
|   |                       |                 | Min  | Max       | Min   | Typ<br>(Note 2) | Max       | Min   | Max       |           |
| Output Voltage<br>$V_{in} = V_{DD}$ or 0  | "0" Level<br>$V_{OL}$ | 5.0             | -  | 0.05      | -     | 0               | 0.05      | -     | 0.05      | Vdc       |
|   |                       | 10              | -  | 0.05      | -     | 0               | 0.05      | -     | 0.05      |           |
| 15  |                       | -               | 0.05   | -         | 0     | 0.05            | -         | 0.05  |           |           |
| $V_{in} = 0$ or $V_{DD}$  | "1" Level<br>$V_{OH}$ | 5.0             | 4.95   | -         | 4.95  | 5.0             | -         | 4.95  | -         | Vdc       |
|   |                       | 10              | 9.95   | -         | 9.95  | 10              | -         | 9.95  | -         |           |
|   |                       | 15              | 14.95  | -         | 14.95 | 15              | -         | 14.95 | -         |           |
| Input Voltage<br>( $V_O = 4.5$ or $0.5$ Vdc)<br>( $V_O = 9.0$ or $1.0$ Vdc)<br>( $V_O = 13.5$ or $1.5$ Vdc)                                 | "0" Level<br>$V_{IL}$ | 5.0             | -  | 1.5       | -     | 2.25            | 1.5       | -     | 1.5       | Vdc       |
|   | 10                    | -               | 3.0  | -         | 4.50  | 3.0             | -         | 3.0   |           |           |
| ( $V_O = 0.5$ or $4.5$ Vdc)<br>( $V_O = 1.0$ or $9.0$ Vdc)<br>( $V_O = 1.5$ or $13.5$ Vdc)  | "1" Level<br>$V_{IH}$ | 5.0             | 3.5  | -         | 3.5   | 2.75            | -         | 3.5   | -         | Vdc       |
|   |                       | 10              | 7.0  | -         | 7.0   | 5.50            | -         | 7.0   | -         |           |
| 15  |                       | 11              | -  | 11        | 8.25  | -               | 11        | -     |           |           |
| Output Drive Current<br>( $V_{OH} = 2.5$ Vdc)<br>( $V_{OH} = 4.6$ Vdc)<br>( $V_{OH} = 9.5$ Vdc)<br>( $V_{OH} = 13.5$ Vdc)                   | Source<br>$I_{OH}$    | 5.0             | -3.0   | -         | -2.4  | -4.2            | -         | -1.7  | -         | mAdc      |
|   | 5.0                   | -0.64           | -  | -0.51     | -0.88 | -               | -0.36     | -     |           |           |
| ( $V_{OL} = 0.4$ Vdc)<br>( $V_{OL} = 0.5$ Vdc)<br>( $V_{OL} = 1.5$ Vdc)   | Sink<br>$I_{OL}$      | 5.0             | 0.64   | -         | 0.51  | 0.88            | -         | 0.36  | -         | mAdc      |
|   |                       | 10              | 1.6  | -         | 1.3   | 2.25            | -         | 0.9   | -         |           |
| 15  |                       | 4.2             | -  | 3.4       | 8.8   | -               | 2.4       | -     |           |           |
| Input Current   | $I_{in}$              | 15              | -  | $\pm 0.1$ | -     | $\pm 0.00001$   | $\pm 0.1$ | -     | $\pm 1.0$ | $\mu$ Adc |
| Input Capacitance<br>( $V_{in} = 0$ )   | $C_{in}$              | -               | -  | -         | -     | 5.0             | 7.5       | -     | -         | pF        |
| Quiescent Current<br>(Per Package)  | $I_{DD}$              | 5.0             | -  | 5.0       | -     | 0.005           | 5.0       | -     | 150       | $\mu$ Adc |
|   |                       | 10              | -  | 10        | -     | 0.010           | 10        | -     | 300       |           |
|   |                       | 15              | -  | 20        | -     | 0.015           | 20        | -     | 600       |           |
| Total Supply Current (Notes 3 & 4)<br>(Dynamic plus Quiescent,<br>Per Package)<br>( $C_L = 50$ pF on all outputs, all<br>buffers switching) | $I_T$                 | 5.0             | $I_T = (1.7 \mu A/kHz) f + I_{DD}$<br>$I_T = (3.4 \mu A/kHz) f + I_{DD}$<br>$I_T = (5.0 \mu A/kHz) f + I_{DD}$ |           |       |                 |           |       |           | $\mu$ Adc |

Product parametric performance is indicated in the Electrical Characteristics for the listed test conditions, unless otherwise noted. Product performance may not be indicated by the Electrical Characteristics if operated under different conditions.

2. Data labelled "Typ" is not to be used for design purposes but is intended as an indication of the IC's potential performance.

3. The formulas given are for the typical characteristics only at 25°C.

4. To calculate total supply current at loads other than 50 pF:  $I_T(C_L) = I_T(50 \text{ pF}) + (C_L - 50) V f k$  where:  $I_T$  is in  $\mu A$  (per package),  $C_L$  in pF,  $V = (V_{DD} - V_{SS})$  in volts,  $f$  in kHz is input frequency, and  $k = 0.004$ .

# MC14175B

## SWITCHING CHARACTERISTICS (Note 5) ( $C_L = 50 \text{ pF}$ , $T_A = 25^\circ\text{C}$ )

| Characteristic   | Symbol                | $V_{DD}$<br>Vdc | All Types        |                   |                   | Unit          |
|--|-----------------------|-----------------|------------------|-------------------|-------------------|---------------|
|  |                       |                 | Min              | Typ<br>(Note 6)   | Max               |               |
| Output Rise and Fall Time<br>$t_{TLH}$ , $t_{THL} = (1.35 \text{ ns/pF}) C_L + 32 \text{ ns}$<br>$t_{TLH}$ , $t_{THL} = (0.6 \text{ ns/pF}) C_L + 20 \text{ ns}$<br>$t_{TLH}$ , $t_{THL} = (0.4 \text{ ns/pF}) C_L + 20 \text{ ns}$                | $t_{TLH}$ , $t_{THL}$ | 5.0<br>10<br>15 | –<br>–<br>–      | 100<br>50<br>40   | 200<br>100<br>80  | ns            |
| Propagation Delay Time — Clock to Q, Q<br>$t_{PLH}$ , $t_{PHL} = (0.9 \text{ ns/pF}) C_L + 175 \text{ ns}$<br>$t_{PLH}$ , $t_{PHL} = (0.36 \text{ ns/pF}) C_L + 72 \text{ ns}$<br>$t_{PLH}$ , $t_{PHL} = (0.26 \text{ ns/pF}) C_L + 57 \text{ ns}$ | $t_{PLH}$ , $t_{PHL}$ | 5.0<br>10<br>15 | –<br>–<br>–      | 220<br>90<br>70   | 400<br>160<br>120 | ns            |
| Propagation Delay Time — Reset to Q, Q<br>$t_{PHL} = (0.9 \text{ ns/pF}) C_L + 280 \text{ ns}$<br>$t_{PHL} = (0.36 \text{ ns/pF}) C_L + 112 \text{ ns}$<br>$t_{PHL} = (0.26 \text{ ns/pF}) C_L + 87 \text{ ns}$                                    | $t_{PHL}$ , $t_{PLH}$ | 5.0<br>10<br>15 | –<br>–<br>–      | 325<br>130<br>100 | 500<br>200<br>150 | ns            |
| Clock Pulse Width  | $t_{WH}$              | 5.0<br>10<br>15 | 250<br>100<br>75 | 110<br>45<br>35   | –<br>–<br>–       | ns            |
| Reset Pulse Width  | $t_{WL}$              | 5.0<br>10<br>15 | 200<br>80<br>60  | 100<br>40<br>30   | –<br>–<br>–       | ns            |
| Clock Pulse Frequency  | $f_{cl}$              | 5.0<br>10<br>15 | –<br>–<br>–      | 4.5<br>11<br>14   | 2.0<br>5.0<br>6.5 | mHz           |
| Clock Pulse Rise and Fall Time   | $t_{TLH}$ , $t_{THL}$ | 5.0<br>10<br>15 | –<br>–<br>–      | –<br>–<br>–       | 15<br>5.0<br>4.0  | $\mu\text{s}$ |
| Data Setup Time  | $t_{su}$              | 5.0<br>10<br>15 | 120<br>50<br>40  | 60<br>25<br>20    | –<br>–<br>–       | ns            |
| Data Hold Time   | $t_h$                 | 5.0<br>10<br>15 | 80<br>40<br>30   | 40<br>20<br>15    | –<br>–<br>–       | ns            |
| Reset Removal Time   | $t_{rem}$             | 5.0<br>10<br>15 | 250<br>100<br>80 | 125<br>50<br>40   | –<br>–<br>–       | ns            |

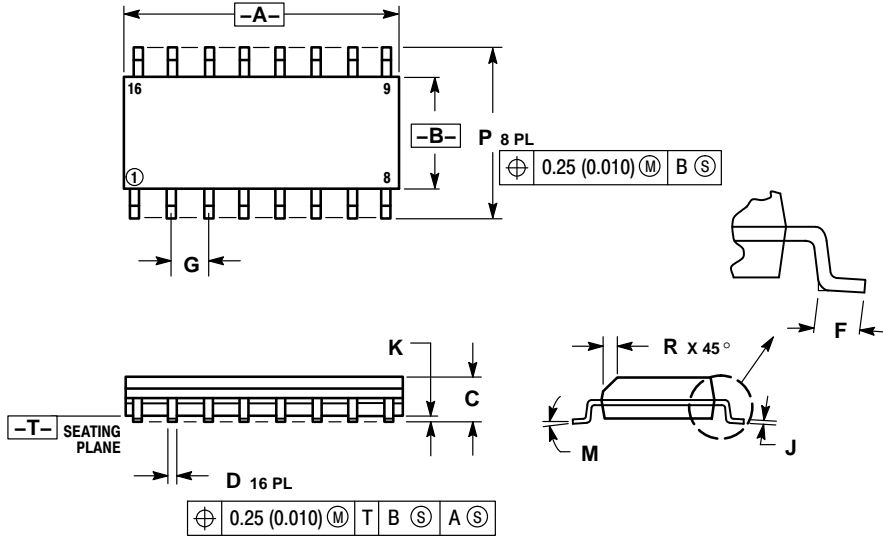
5. The formulas given are for the typical characteristics only at  $25^\circ\text{C}$ .

6. Data labelled "Typ" is not to be used for design purposes but is intended as an indication of the IC's potential performance.

# MC14175B

## PACKAGE DIMENSIONS

SOIC-16  
CASE 751B-05  
ISSUE K

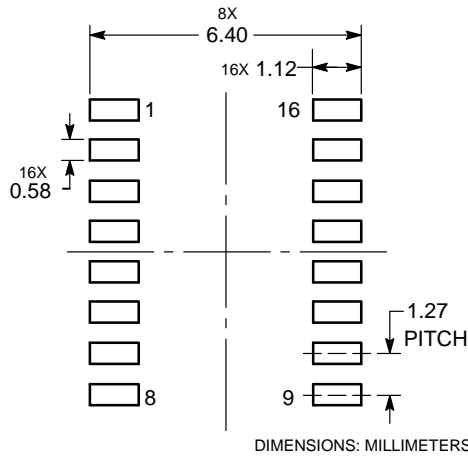


**NOTES:**

1. DIMENSIONING AND TOLERANCING PER ANSI Y14.5M, 1982.
2. CONTROLLING DIMENSION: MILLIMETER.
3. DIMENSIONS A AND B DO NOT INCLUDE MOLD PROTRUSION.
4. MAXIMUM MOLD PROTRUSION 0.15 (0.006) PER SIDE.
5. DIMENSION D DOES NOT INCLUDE DAMBAR PROTRUSION. ALLOWABLE DAMBAR PROTRUSION SHALL BE 0.127 (0.005) TOTAL IN EXCESS OF THE D DIMENSION AT MAXIMUM MATERIAL CONDITION.

| DIM | MILLIMETERS |       | INCHES    |       |
|-----|-------------|-------|-----------|-------|
|     | MIN         | MAX   | MIN       | MAX   |
| A   | 9.80        | 10.00 | 0.386     | 0.393 |
| B   | 3.80        | 4.00  | 0.150     | 0.157 |
| C   | 1.35        | 1.75  | 0.054     | 0.068 |
| D   | 0.35        | 0.49  | 0.014     | 0.019 |
| F   | 0.40        | 1.25  | 0.016     | 0.049 |
| G   | 1.27 BSC    |       | 0.050 BSC |       |
| J   | 0.19        | 0.25  | 0.008     | 0.009 |
| K   | 0.10        | 0.25  | 0.004     | 0.009 |
| M   | 0°          | 7°    | 0°        | 7°    |
| P   | 5.80        | 6.20  | 0.229     | 0.244 |
| R   | 0.25        | 0.50  | 0.010     | 0.019 |

### SOLDERING FOOTPRINT\*

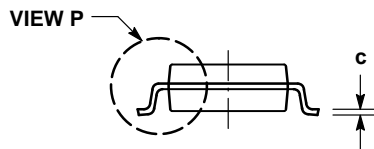
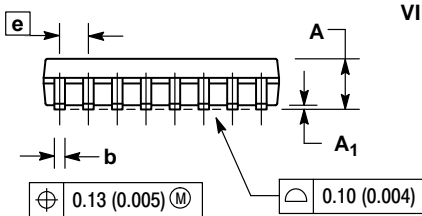
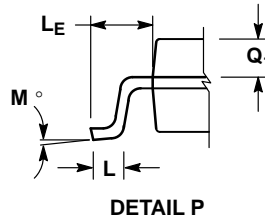
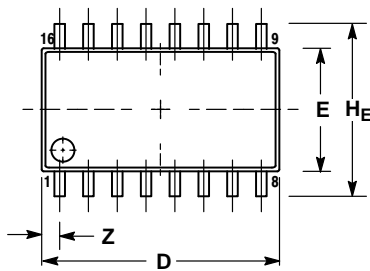


\*For additional information on our Pb-Free strategy and soldering details, please download the ON Semiconductor Soldering and Mounting Techniques Reference Manual, SOLDERRM/D.

# MC14175B

## PACKAGE DIMENSIONS


SOEIAJ-16  
CASE 966  
ISSUE A



### NOTES:

1. DIMENSIONING AND TOLERANCING PER ANSI Y14.5M, 1982.
2. CONTROLLING DIMENSION: MILLIMETER.
3. DIMENSIONS D AND E DO NOT INCLUDE MOLD FLASH OR PROTRUSIONS AND ARE MEASURED AT THE PARTING LINE. MOLD FLASH OR PROTRUSIONS SHALL NOT EXCEED 0.15 (0.006) PER SIDE.
4. TERMINAL NUMBERS ARE SHOWN FOR REFERENCE ONLY.
5. THE LEAD WIDTH DIMENSION (b) DOES NOT INCLUDE DAMBAR PROTRUSION. ALLOWABLE DAMBAR PROTRUSION SHALL BE 0.08 (0.003) TOTAL IN EXCESS OF THE LEAD WIDTH DIMENSION AT MAXIMUM MATERIAL CONDITION. DAMBAR CANNOT BE LOCATED ON THE LOWER RADIUS OR THE FOOT. MINIMUM SPACE BETWEEN PROTRUSIONS AND ADJACENT LEAD TO BE 0.46 (0.018).

| DIM            | MILLIMETERS |       | INCHES    |       |
|----------------|-------------|-------|-----------|-------|
|                | MIN         | MAX   | MIN       | MAX   |
| A              | ---         | 2.05  | ---       | 0.081 |
| A <sub>1</sub> | 0.05        | 0.20  | 0.002     | 0.008 |
| b              | 0.35        | 0.50  | 0.014     | 0.020 |
| c              | 0.10        | 0.20  | 0.007     | 0.011 |
| D              | 9.90        | 10.50 | 0.390     | 0.413 |
| E              | 5.10        | 5.45  | 0.201     | 0.215 |
| e              | 1.27 BSC    |       | 0.050 BSC |       |
| H <sub>E</sub> | 7.40        | 8.20  | 0.291     | 0.323 |
| L              | 0.50        | 0.85  | 0.020     | 0.033 |
| L <sub>E</sub> | 1.10        | 1.50  | 0.043     | 0.059 |
| M              | 0°          | 10°   | 0°        | 10°   |
| Q <sub>1</sub> | 0.70        | 0.90  | 0.028     | 0.035 |
| Z              | ---         | 0.78  | ---       | 0.031 |

ON Semiconductor and the  are registered trademarks of Semiconductor Components Industries, LLC (SCILLC) or its subsidiaries in the United States and/or other countries. SCILLC owns the rights to a number of patents, trademarks, copyrights, trade secrets, and other intellectual property. A listing of SCILLC's product/patent coverage may be accessed at [www.onsemi.com/site/pdf/Patent-Marking.pdf](http://www.onsemi.com/site/pdf/Patent-Marking.pdf). SCILLC reserves the right to make changes without further notice to any products herein. SCILLC makes no warranty, representation or guarantee regarding the suitability of its products for any particular purpose, nor does SCILLC assume any liability arising out of the application or use of any product or circuit, and specifically disclaims any and all liability, including without limitation special, consequential or incidental damages. "Typical" parameters which may be provided in SCILLC data sheets and/or specifications can and do vary in different applications and actual performance may vary over time. All operating parameters, including "Typicals" must be validated for each customer application by customer's technical experts. SCILLC does not convey any license under its patent rights nor the rights of others. SCILLC products are not designed, intended, or authorized for use as components in systems intended for surgical implant into the body, or other applications intended to support or sustain life, or for any other application in which the failure of the SCILLC product could create a situation where personal injury or death may occur. Should Buyer purchase or use SCILLC products for any such unintended or unauthorized application, Buyer shall indemnify and hold SCILLC and its officers, employees, subsidiaries, affiliates, and distributors harmless against all claims, costs, damages, and expenses, and reasonable attorney fees arising out of, directly or indirectly, any claim of personal injury or death associated with such unintended or unauthorized use, even if such claim alleges that SCILLC was negligent regarding the design or manufacture of the part. SCILLC is an Equal Opportunity/Affirmative Action Employer. This literature is subject to all applicable copyright laws and is not for resale in any manner.

### PUBLICATION ORDERING INFORMATION

#### LITERATURE FULFILLMENT:

Literature Distribution Center for ON Semiconductor  
P.O. Box 5163, Denver, Colorado 80217 USA  
Phone: 303-675-2175 or 800-344-3860 Toll Free USA/Canada  
Fax: 303-675-2176 or 800-344-3867 Toll Free USA/Canada  
Email: [orderlit@onsemi.com](mailto:orderlit@onsemi.com)

**N. American Technical Support:** 800-282-9855 Toll Free  
USA/Canada  
**Europe, Middle East and Africa Technical Support:**  
Phone: 421 33 790 2910  
**Japan Customer Focus Center**  
Phone: 81-3-5817-1050

**ON Semiconductor Website:** [www.onsemi.com](http://www.onsemi.com)

**Order Literature:** <http://www.onsemi.com/orderlit>

For additional information, please contact your local Sales Representative

MC14175B/D