

# SPECIAL APPLICATION WIREWOUND RESISTOR DALE TYPE



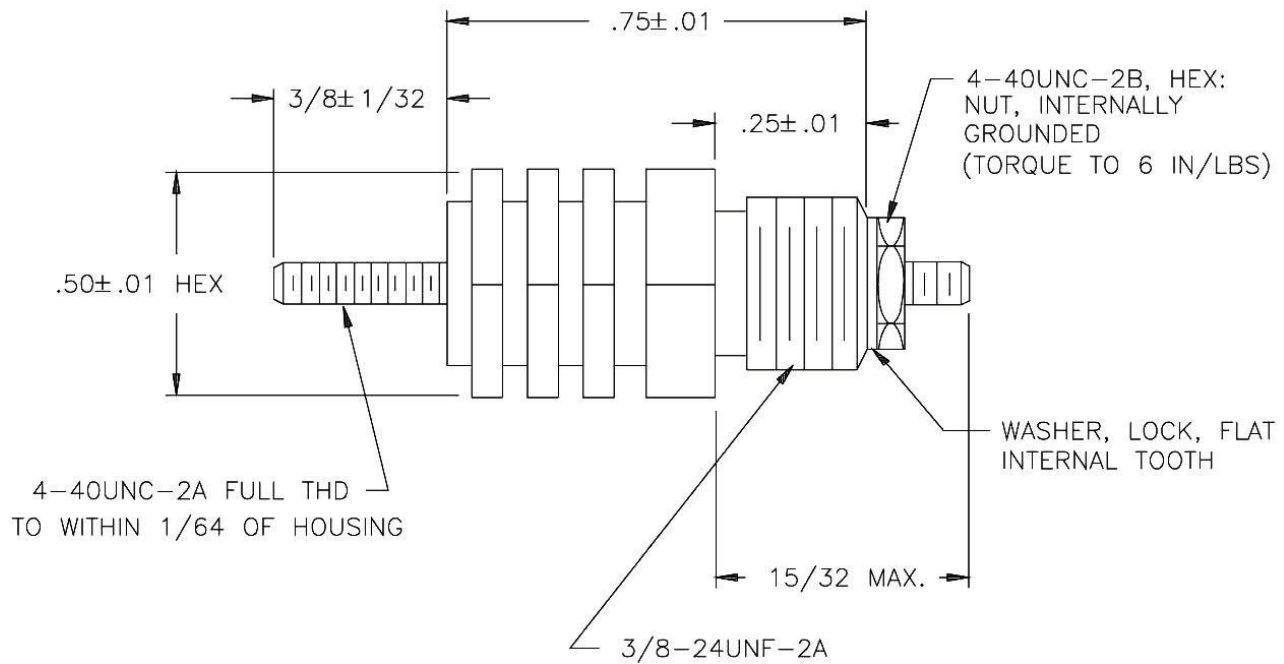
PH-10-26

## DESCRIPTION: CUSTOM, HOUSED, THROUGH CHASSIS RESISTOR

This is a custom resistor as shown below.

- Aluminum heat sink housing that mounts through chassis heat sink.
- Molded construction for complete environmental protection.
- Wide value range.

## DIMENSIONAL OUTLINE:



## SPECIFICATIONS:

Value Range:	1Ω thru 6.5KΩ.
Tolerance Available:	1%, 3% & 5%
Wattage:	10 watts mounted on 4" x 6" x 0.04" thk. aluminum heat sink.
Operating Temperature:	-55°C to +250°C.

GLOBAL PART NUMBER INFORMATION														
New Global Part Numbering: PH010250R0HJ0126														
P	H	0	1	0										
2	5	0	R	0										
H	J	0	1	2										
6														
<table border="1" style="width: 100%; border-collapse: collapse;"> <tr> <th style="text-align: left; padding: 2px;">GLOBAL MODEL</th> </tr> <tr> <td style="text-align: center; padding: 2px;">PH010</td> </tr> </table>	GLOBAL MODEL	PH010	<table border="1" style="width: 100%; border-collapse: collapse;"> <tr> <th style="text-align: left; padding: 2px;">RESISTANCE VALUE</th> </tr> <tr> <td style="padding: 2px;">R = Decimal K = Thousand 5R000 = 5Ω 10K00 = 10KΩ</td> </tr> </table>	RESISTANCE VALUE	R = Decimal K = Thousand 5R000 = 5Ω 10K00 = 10KΩ	<table border="1" style="width: 100%; border-collapse: collapse;"> <tr> <th style="text-align: left; padding: 2px;">TOLERANCE CODE</th> </tr> <tr> <td style="padding: 2px;">F = ±1.0% H = ±3.0% J = ±5.0%</td> </tr> </table>	TOLERANCE CODE	F = ±1.0% H = ±3.0% J = ±5.0%	<table border="1" style="width: 100%; border-collapse: collapse;"> <tr> <th style="text-align: left; padding: 2px;">PACKAGING CODE</th> </tr> <tr> <td style="text-align: center; padding: 2px;">J01 = Skin Pack</td> </tr> </table>	PACKAGING CODE	J01 = Skin Pack	<table border="1" style="width: 100%; border-collapse: collapse;"> <tr> <th style="text-align: left; padding: 2px;">SPECIAL</th> </tr> <tr> <td style="padding: 2px;">(Dash number) 26 for custom configuration</td> </tr> </table>	SPECIAL	(Dash number) 26 for custom configuration
GLOBAL MODEL														
PH010														
RESISTANCE VALUE														
R = Decimal K = Thousand 5R000 = 5Ω 10K00 = 10KΩ														
TOLERANCE CODE														
F = ±1.0% H = ±3.0% J = ±5.0%														
PACKAGING CODE														
J01 = Skin Pack														
SPECIAL														
(Dash number) 26 for custom configuration														

www.vishay.com

For technical questions, contact: [ww2bresistors@vishay.com](mailto:ww2bresistors@vishay.com)

011111

This document is subject to change without notice. THE INFORMATION PROVIDED HEREIN IS SUBJECT TO SPECIFIC DISCLAIMERS AS SET FORTH AT <http://www.vishay.com/doc?91000>



### Disclaimer

ALL PRODUCT, PRODUCT SPECIFICATIONS AND DATA ARE SUBJECT TO CHANGE WITHOUT NOTICE TO IMPROVE RELIABILITY, FUNCTION OR DESIGN OR OTHERWISE.

Vishay Intertechnology, Inc., its affiliates, agents, and employees, and all persons acting on its or their behalf (collectively, "Vishay"), disclaim any and all liability for any errors, inaccuracies or incompleteness contained in any datasheet or in any other disclosure relating to any product.

Vishay makes no warranty, representation or guarantee regarding the suitability of the products for any particular purpose or the continuing production of any product. To the maximum extent permitted by applicable law, Vishay disclaims (i) any and all liability arising out of the application or use of any product, (ii) any and all liability, including without limitation special, consequential or incidental damages, and (iii) any and all implied warranties, including warranties of fitness for particular purpose, non-infringement and merchantability.

Statements regarding the suitability of products for certain types of applications are based on Vishay's knowledge of typical requirements that are often placed on Vishay products in generic applications. Such statements are not binding statements about the suitability of products for a particular application. It is the customer's responsibility to validate that a particular product with the properties described in the product specification is suitable for use in a particular application. Parameters provided in datasheets and/or specifications may vary in different applications and performance may vary over time. All operating parameters, including typical parameters, must be validated for each customer application by the customer's technical experts. Product specifications do not expand or otherwise modify Vishay's terms and conditions of purchase, including but not limited to the warranty expressed therein.

Except as expressly indicated in writing, Vishay products are not designed for use in medical, life-saving, or life-sustaining applications or for any other application in which the failure of the Vishay product could result in personal injury or death. Customers using or selling Vishay products not expressly indicated for use in such applications do so at their own risk and agree to fully indemnify and hold Vishay and its distributors harmless from and against any and all claims, liabilities, expenses and damages arising or resulting in connection with such use or sale, including attorneys fees, even if such claim alleges that Vishay or its distributor was negligent regarding the design or manufacture of the part. Please contact authorized Vishay personnel to obtain written terms and conditions regarding products designed for such applications.

No license, express or implied, by estoppel or otherwise, to any intellectual property rights is granted by this document or by any conduct of Vishay. Product names and markings noted herein may be trademarks of their respective owners.