

ASX340AT2C00XPEDH3-GEVB

ASX340AT Evaluation Board User's Manual



ON Semiconductor®

www.onsemi.com

Evaluation Board Overview

The evaluation boards are designed to demonstrate the features of image sensors products from ON Semiconductor. This headboard is intended to plug directly into the Demo 3 system. Test points and jumpers on the board provide access to the clock, I/Os, and other miscellaneous signals.

Features

- Clock Input
 - ◆ Default – 27 MHz Crystal Oscillator
 - ◆ Optional Demo 3 Controlled MCLK
- Two-wire Serial Interface
 - ◆ Selectable Base Address
- Parallel Interface
- ROHS Compliant

Block Diagram

EVAL BOARD USER'S MANUAL

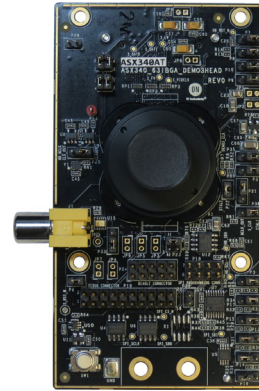


Figure 1. ASX340AT Evaluation Board

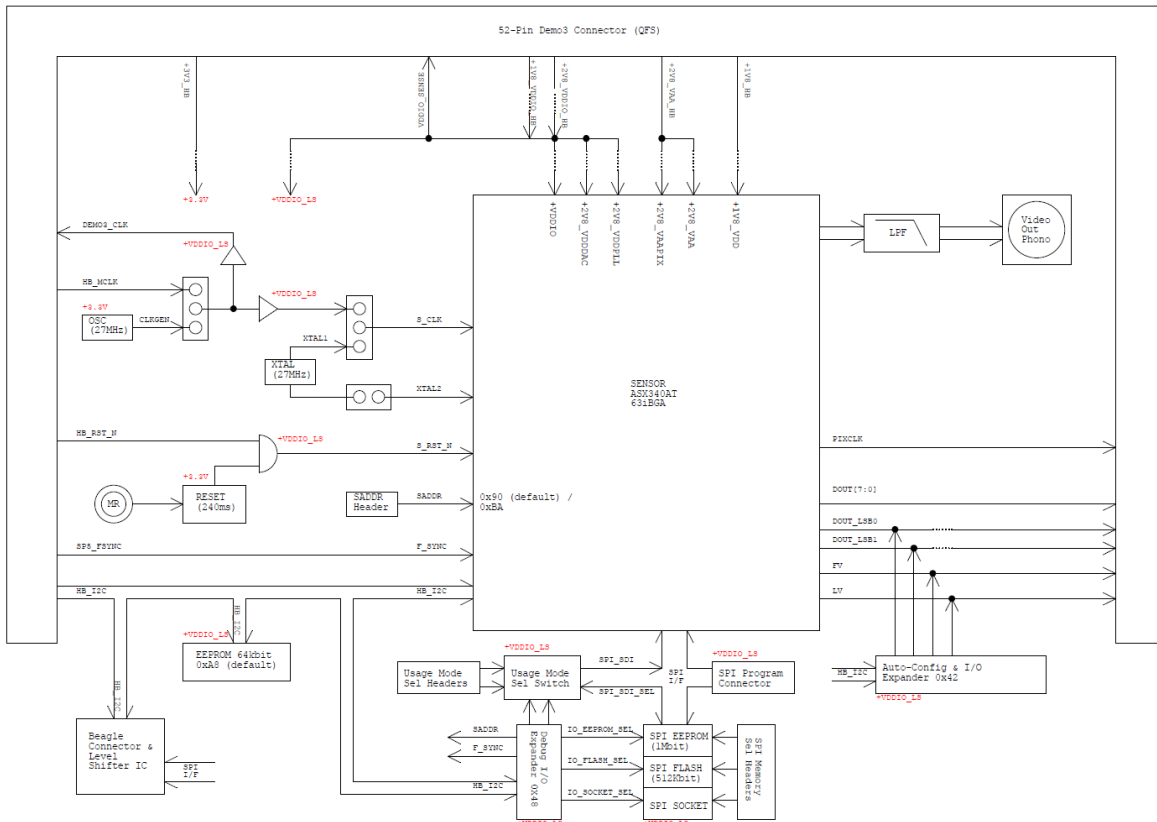


Figure 2. Block Diagram of ASX340AT2C00XPEDH3-GEVB

ASX340AT2C00XPEDH3-GEVB

Top View

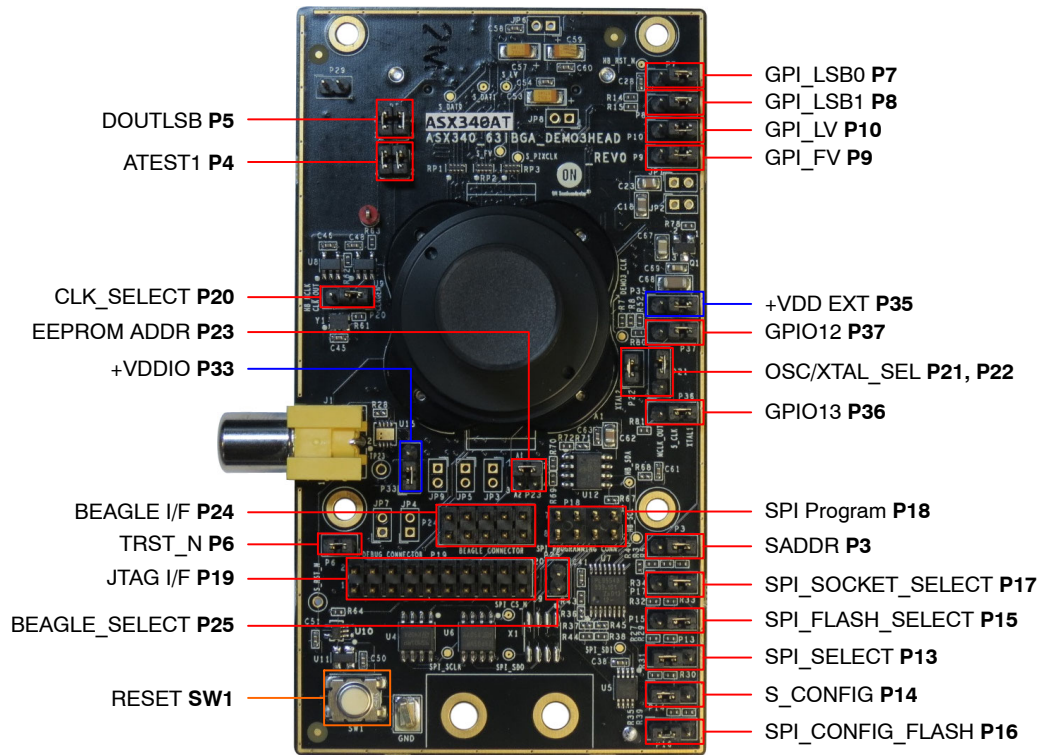


Figure 3. Top View of the Board – Default Jumpers

Bottom View

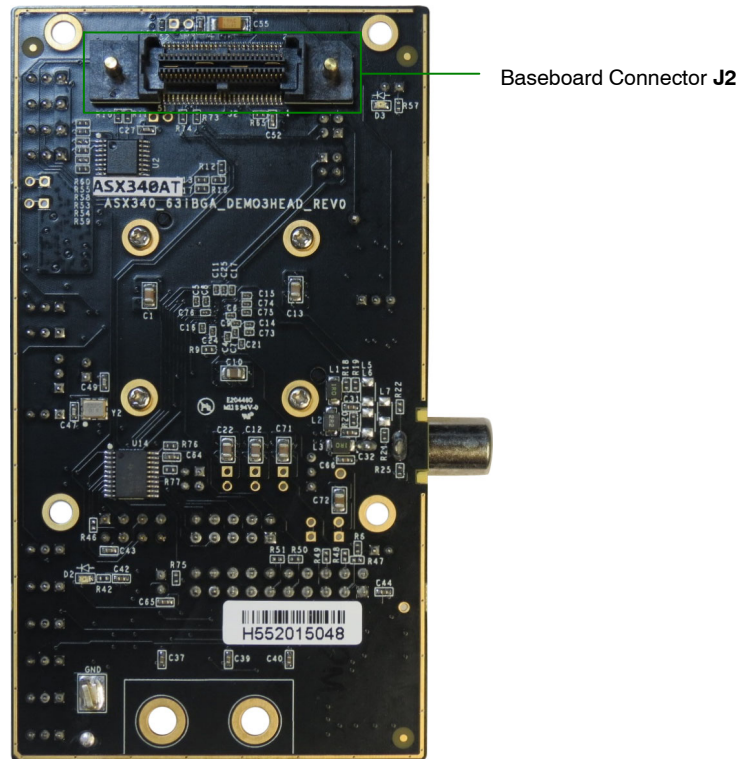


Figure 4. Bottom View of the Board – Connector

ASX340AT2C00XPEDH3-GEVB

Jumper Pin Locations

The jumpers on headboards start with Pin 1 on the leftmost side of the pin. Grouped jumpers increase in pin size with each jumper added.

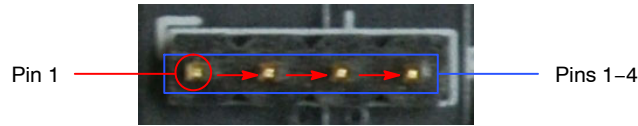


Figure 5. Pin Locations for a Single Jumper. Pin 1 is Located at the Leftmost Side and Increases as it Moves to the Right

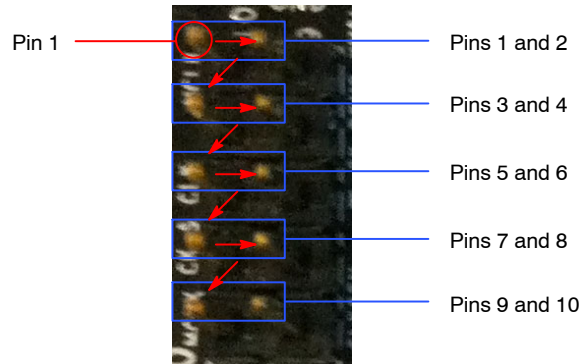


Figure 6. Pin Locations and Assignments of Grouped Jumpers. Pin 1 is Located at the Top-Left Corner and Increases in a Zigzag Fashion Shown in the Picture

Jumper/Header Functions & Default Positions

Table 1. JUMPERS AND HEADERS

Jumper/Header No.	Jumper/Header Name	Pins	Description
P3	SADDR	2-3 (Default)	I ² C Address Set to 0x90
		1-2	I ² C Address Set to 0xBA
P	Mode	Open	Set to Test Mode
P4	ATEST1	1-2, 3-4 (Default)	Normal Operation
		Open	For Debug/Test
P5	DOUTLSB	1-2, 3-4 (Default)	DOUTLSB[1:0] are Used
		Open	DOUTLSB[1:0] are Not Used
P6	TRST_N	1-2 (Default)	Normal Operation
		Open	Test Mode
P7	GPI_LSB0	2-3 (Default)	Video Output in NTSC Mode
		1-2	Video Output in PAL Mode
P8	GPI_LSB1	2-3 (Default)	Video Output is Not Vertical Flipped
		1-2	Video Output is Vertical Flipped
P9	GPI_FV	2-3 (Default)	Video Output is Not Horizontal Flipped
		1-2	Video Output is Horizontal Flipped
P10	GPI_LV	2-3 (Default)	Video Output does Not Have Pedestal
		1-2	Video Output has Pedestal
P13	SPI_SELECT	1-2 (Default)	SPI EEPROM (1 Mbit) Selected
		2-3	SPI EEPROM (1 Mbit) Not Selected

ASX340AT2C00XPEDH3-GEVB

Table 1. JUMPERS AND HEADERS (continued)

Jumper/Header No.	Jumper/Header Name	Pins	Description
P14	S_CONFIG	2-3 (Default)	Sensor Operating in AUTO Mode
		1-2	Sensor Operating in HOST Mode
P15	SPI_FLASH_SELECT	1-2 (Default)	SPI FLASH (512 Kbit) Selected
		2-3	SPI FLASH (512 Kbit) Not Selected
P16	S_CONFIG_FLASH	2-3 (Default)	Sensor Operating in Host/Auto CONFIG Mode
		1-2	Sensor Operating in FLASH Mode
P17	SPI_SOCKET_SELECT	2-3 (Default)	SPI SOCKET Not Selected
		1-2	SPI SOCKET Selected
P18	SPI Program	Open (Default)	For Connection to External SPI Memory Programmer
P19	JTAG I/F	Open (Default)	For Debug/Test
P20	CLK_SELECT	1-2 (Default)	Connects to On-board Oscillator
		2-3	Connects to HB_MCLK from Demo 3 Baseboard
P21, P22	OSC/XTAL_SELECT	P21 2-3, P22 Closed (Default)	Selects Crystal as Sensor Input Clock
		P21 1-2 P22 Open	Selects Oscillator as Sensor Input Clock
P23	EEPROM ADDR	1-2 Closed, 3-4 Open (Default)	EEPROM Address Set to 0xA8
		1-2 Open, 3-4 Open	EEPROM Address Set to 0xAC
		1-2 Open, 3-4 Closed	EEPROM Address Set to 0xA4
		1-2 Closed, 3-4 Closed	EEPROM Address Set to 0xA0
P24	BEAGLE I/F	Open (Default)	For Debug/Test
P25	BEAGLE_SELECT	1-2 (Default)	BEAGLE I/F Disabled
		Open	BEAGLE I/F Enabled
P33	+VDDIO	1-2 (Default)	Selects +2V8_VDDIO_HB
P35	+VDD_EXT	2-3 (Default)	Connects to On-board +VDD_EXT Power Supply
		1-2	External Power Supply Connection
P36	GPIO13	2-3 (Default)	Selects Device Address to 0x90
		1-2	Selects Device Address to 0xBA
P37	GPIO12	2-3 (Default)	Selects Device Address to 0x90
		1-2	Selects Device Address to 0xBA
SW1	RESET	N/A	When Pushed, 240 ms Reset Signal will be Sent to ASX340

ASX340AT2C00XPEDH3-GEVB

Interfacing to ON Semiconductor Demo 3 Baseboard

The ON Semiconductor Demo 3 baseboard has a similar 52-pin connector which mates with J2 of the headboard. The four mounting holes secure the baseboard and the headboard with spacers and screws.

Shorted Jumpers for Power Measurement

Different supplies to the evaluation board are provided by trace shorted jumper, for any voltage and power measurements. To conduct current for current measurement on a given power rail, cut the trace between the two pins of their respective JP, and insert an ammeter prior to powering up the system. The figure below shows where the trace to cut is located.

Table 2. SHORTED JUMPERS FOR POWER MEASUREMENT

Jumper	Voltage (V)
JP1 (+2V8_VAA)	2.8
JP2 (+2V8_VAAPIX)	2.8
JP3 (+2V8_VDDPLL)	2.8
JP4 (+2V8_VDDIO)	2.8
JP5 (+2V8_VDDDAC)	2.8
JP6 (+1V8_VDD)	1.8
JP7 (+VDDIO_LS)	2.8
JP8 (+3V3)	3.3



**Figure 7. Top and Bottom View of Shorted Jumper.
The Bottom View Shows the Trace Location to Cut for Current Measurement**

onsemi, **Onsemi**, and other names, marks, and brands are registered and/or common law trademarks of Semiconductor Components Industries, LLC dba "**onsemi**" or its affiliates and/or subsidiaries in the United States and/or other countries. **onsemi** owns the rights to a number of patents, trademarks, copyrights, trade secrets, and other intellectual property. A listing of **onsemi**'s product/patent coverage may be accessed at www.onsemi.com/site/pdf/Patent-Marking.pdf. **onsemi** is an Equal Opportunity/Affirmative Action Employer. This literature is subject to all applicable copyright laws and is not for resale in any manner.

The evaluation board/kit (research and development board/kit) (hereinafter the "board") is not a finished product and is not available for sale to consumers. The board is only intended for research, development, demonstration and evaluation purposes and will only be used in laboratory/development areas by persons with an engineering/technical training and familiar with the risks associated with handling electrical/mechanical components, systems and subsystems. This person assumes full responsibility/liability for proper and safe handling. Any other use, resale or redistribution for any other purpose is strictly prohibited.

THE BOARD IS PROVIDED BY ONSEMI TO YOU "AS IS" AND WITHOUT ANY REPRESENTATIONS OR WARRANTIES WHATSOEVER. WITHOUT LIMITING THE FOREGOING, ONSEMI (AND ITS LICENSORS/SUPPLIERS) HEREBY DISCLAIMS ANY AND ALL REPRESENTATIONS AND WARRANTIES IN RELATION TO THE BOARD, ANY MODIFICATIONS, OR THIS AGREEMENT, WHETHER EXPRESS, IMPLIED, STATUTORY OR OTHERWISE, INCLUDING WITHOUT LIMITATION ANY AND ALL REPRESENTATIONS AND WARRANTIES OF MERCHANTABILITY, FITNESS FOR A PARTICULAR PURPOSE, TITLE, NON-INFRINGEMENT, AND THOSE ARISING FROM A COURSE OF DEALING, TRADE USAGE, TRADE CUSTOM OR TRADE PRACTICE.

onsemi reserves the right to make changes without further notice to any board.

You are responsible for determining whether the board will be suitable for your intended use or application or will achieve your intended results. Prior to using or distributing any systems that have been evaluated, designed or tested using the board, you agree to test and validate your design to confirm the functionality for your application. Any technical, applications or design information or advice, quality characterization, reliability data or other services provided by **onsemi** shall not constitute any representation or warranty by **onsemi**, and no additional obligations or liabilities shall arise from **onsemi** having provided such information or services.

onsemi products including the boards are not designed, intended, or authorized for use in life support systems, or any FDA Class 3 medical devices or medical devices with a similar or equivalent classification in a foreign jurisdiction, or any devices intended for implantation in the human body. You agree to indemnify, defend and hold harmless **onsemi**, its directors, officers, employees, representatives, agents, subsidiaries, affiliates, distributors, and assigns, against any and all liabilities, losses, costs, damages, judgments, and expenses, arising out of any claim, demand, investigation, lawsuit, regulatory action or cause of action arising out of or associated with any unauthorized use, even if such claim alleges that **onsemi** was negligent regarding the design or manufacture of any products and/or the board.

This evaluation board/kit does not fall within the scope of the European Union directives regarding electromagnetic compatibility, restricted substances (RoHS), recycling (WEEE), FCC, CE or UL, and may not meet the technical requirements of these or other related directives.

FCC WARNING – This evaluation board/kit is intended for use for engineering development, demonstration, or evaluation purposes only and is not considered by **onsemi** to be a finished end product fit for general consumer use. It may generate, use, or radiate radio frequency energy and has not been tested for compliance with the limits of computing devices pursuant to part 15 of FCC rules, which are designed to provide reasonable protection against radio frequency interference. Operation of this equipment may cause interference with radio communications, in which case the user shall be responsible, at its expense, to take whatever measures may be required to correct this interference.

onsemi does not convey any license under its patent rights nor the rights of others.

LIMITATIONS OF LIABILITY: **onsemi** shall not be liable for any special, consequential, incidental, indirect or punitive damages, including, but not limited to the costs of requalification, delay, loss of profits or goodwill, arising out of or in connection with the board, even if **onsemi** is advised of the possibility of such damages. In no event shall **onsemi**'s aggregate liability from any obligation arising out of or in connection with the board, under any theory of liability, exceed the purchase price paid for the board, if any.

The board is provided to you subject to the license and other terms per **onsemi**'s standard terms and conditions of sale. For more information and documentation, please visit www.onsemi.com.

PUBLICATION ORDERING INFORMATION

LITERATURE FULFILLMENT:

Email Requests to: orderlit@onsemi.com

onsemi Website: www.onsemi.com

TECHNICAL SUPPORT

North American Technical Support:

Voice Mail: 1 800-282-9855 Toll Free USA/Canada

Phone: 011 421 33 790 2910

Europe, Middle East and Africa Technical Support:

Phone: 00421 33 790 2910

For additional information, please contact your local Sales Representative