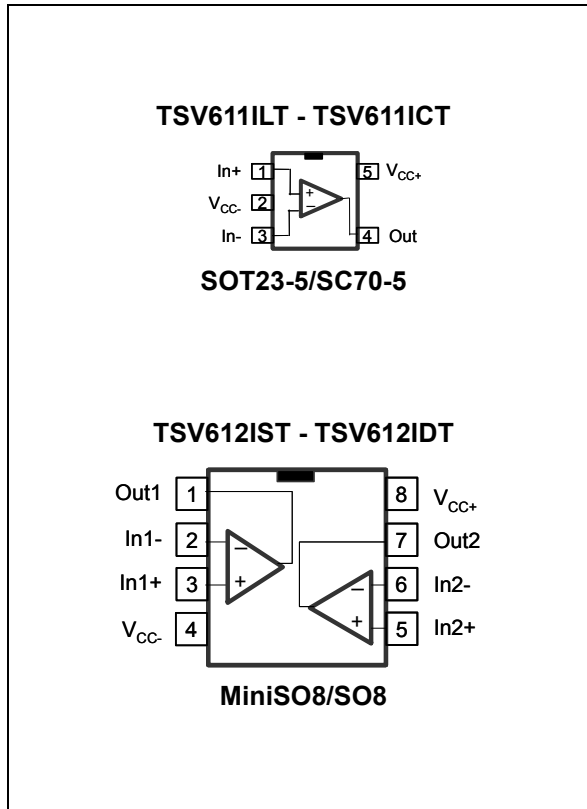


Rail-to-rail input/output 10 μ A, 120 kHz CMOS operational amplifiers

Datasheet - production data



Applications

- Battery-powered applications
- Smoke detectors
- Proximity sensors
- Portable devices
- Signal conditioning
- Active filtering
- Medical instrumentation

Description

The TSV61x family of single and dual operational amplifiers offers low voltage, low power operation, and rail-to-rail input and output.

The devices also feature an ultra-low input bias current as well as a low input offset voltage.

The TSV61x have a gain bandwidth product of 120 kHz while consuming only 10 μ A at 5 V.

These features make the TSV61x family ideal for sensor interfaces, battery supplied and portable applications, as well as active filtering.

Features

- Rail-to-rail input and output
- Low power consumption: 10 μ A typ at 5 V
- Low supply voltage: 1.5 to 5.5 V
- Gain bandwidth product: 120 kHz typ
- Unity gain stable
- Low input offset voltage: 800 μ V max (A version)
- Low input bias current: 1 pA typ
- Temperature range: -40 to 85 $^{\circ}$ C

Contents

| | | |
|----------|--|-----------|
| 1 | Absolute maximum ratings and operating conditions | 3 |
| 2 | Electrical characteristics | 4 |
| 3 | Application information | 12 |
| 3.1 | Operating voltages | 12 |
| 3.2 | Rail-to-rail input | 12 |
| 3.3 | Rail-to-rail output | 12 |
| 3.4 | Driving resistive and capacitive loads | 13 |
| 3.5 | PCB layouts | 13 |
| 3.6 | Macromodel | 13 |
| 4 | Package information | 14 |
| 4.1 | SOT23-5 package information | 15 |
| 4.2 | SC70-5 (SOT323-5) package information | 16 |
| 4.3 | SO8 package information | 17 |
| 4.4 | MiniSO8 package information | 18 |
| 5 | Ordering information | 19 |
| 6 | Revision history | 20 |

1 Absolute maximum ratings and operating conditions

Table 1. Absolute maximum ratings

| Symbol | Parameter | Value | Unit |
|------------|---|--|------|
| V_{CC} | Supply voltage ⁽¹⁾ | 6 | V |
| V_{id} | Differential input voltage ⁽²⁾ | $\pm V_{CC}$ | |
| V_{in} | Input voltage ⁽³⁾ | $(V_{CC-}) - 0.2$ to $(V_{CC+}) + 0.2$ | |
| T_{stg} | Storage temperature | -65 to 150 | °C |
| R_{thja} | Thermal resistance junction to ambient ^{(4) (5)} | | °C/W |
| | SC70-5 | 205 | |
| | SOT23-5 | 250 | |
| | MiniSO8 | 190 | |
| | SO8 | 125 | |
| T_j | Maximum junction temperature | 150 | °C |
| ESD | HBM: human body model ⁽⁶⁾ | 4 | kV |
| | MM: machine model ⁽⁷⁾ | 200 | V |
| | CDM: charged device model ⁽⁸⁾ | 1.5 | kV |
| | Latch-up immunity | 200 | mA |

- All voltage values, except differential voltage are with respect to network ground terminal.
- Differential voltages are the non-inverting input terminal with respect to the inverting input terminal.
- V_{CC} - V_{in} must not exceed 6 V.
- Short-circuits can cause excessive heating and destructive dissipation.
- R_{th} are typical values.
- Human body model: 100 pF discharged through a 1.5 k Ω resistor between two pins of the device, done for all couples of pin combinations with other pins floating.
- Machine model: a 200 pF cap is charged to the specified voltage, then discharged directly between two pins of the device with no external series resistor (internal resistor < 5 Ω), done for all couples of pin combinations with other pins floating.
- Charged device model: all pins plus package are charged together to the specified voltage and then discharged directly to ground.

Table 2. Operating conditions

| Symbol | Parameter | Value | Unit |
|------------|--------------------------------------|--|------|
| V_{CC} | Supply voltage | 1.5 to 5.5 | V |
| V_{icm} | Common mode input voltage range | $(V_{CC-}) - 0.1$ to $(V_{CC+}) + 0.1$ | |
| T_{oper} | Operating free air temperature range | -40 to 85 | °C |

2 Electrical characteristics

Table 3. Electrical characteristics at $V_{CC+} = 1.8\text{ V}$ with $V_{CC-} = 0\text{ V}$, $V_{icm} = V_{CC}/2$, $T_{amb} = 25\text{ °C}$, and R_L connected to $V_{CC}/2$ (unless otherwise specified)

| Symbol | Parameter | Conditions | Min. | Typ. | Max. | Unit |
|--------------------------|---|--|--------|------|------------|-------------------------|
| DC performance | | | | | | |
| V_{io} | Offset voltage | TSV61x | | | 4 | mV |
| | | TSV61xA | | | 0.8 | |
| | | $T_{min.} < T_{op} < T_{max.}$ TSV61x | | | 5 | |
| | | $T_{min.} < T_{op} < T_{max.}$ TSV61xA | | | 2 | |
| $\Delta V_{io}/\Delta T$ | Input offset voltage drift | | | 2 | | $\mu\text{V}/\text{°C}$ |
| I_{io} | Input offset current ($V_{out} = V_{CC}/2$) | | | 1 | $10^{(1)}$ | pA |
| | | $T_{min.} < T_{op} < T_{max.}$ | | 1 | 100 | |
| I_{ib} | Input bias current ($V_{out} = V_{CC}/2$) | | | 1 | $10^{(1)}$ | pA |
| | | $T_{min.} < T_{op} < T_{max.}$ | | 1 | 100 | |
| CMR | Common mode rejection ratio $20 \log (\Delta V_{ic}/\Delta V_{io})$ | $0\text{ V to }1.8\text{ V}$, $V_{out} = 0.9\text{ V}$ | 55 | 71 | | dB |
| | | $T_{min.} < T_{op} < T_{max.}$ | 53 | | | |
| A_{vd} | Large signal voltage gain | $R_L = 10\text{ k}\Omega$, $V_{out} = 0.5\text{ V to }1.3\text{ V}$ | 78 | 83 | | dB |
| | | $T_{min.} < T_{op} < T_{max.}$ | 74 | | | |
| V_{OH} | High level output voltage ($V_{OH} = V_{CC} - V_{out}$) | $R_L = 10\text{ k}\Omega$ $T_{min.} < T_{op} < T_{max.}$ | | 4 | 35 50 | mV |
| V_{OL} | Low level output voltage | $R_L = 10\text{ k}\Omega$ $T_{min.} < T_{op} < T_{max.}$ | | 7 | 35 50 | |
| I_{out} | Isink | $V_o = 1.8\text{ V}$ $T_{min.} < T_{op} < T_{max.}$ | 9 9 | 13 | | mA |
| | Isource | $V_o = 0\text{ V}$ $T_{min.} < T_{op} < T_{max.}$ | 8 8 | 10 | | |
| I_{CC} | Supply current (per operator) | No load, $V_{out} = V_{CC}/2$ | 6.5 | 9 | 12 | μA |
| | | $T_{min.} < T_{op} < T_{max.}$ | 6 | | 12.5 | |
| AC performance | | | | | | |
| GBP | Gain bandwidth product | | | 100 | | kHz |
| ϕ_m | Phase margin | $R_L = 10\text{ k}\Omega$, $C_L = 20\text{ pF}$ | | 60 | | Degrees |
| G_m | Gain margin | | | 9.5 | | dB |
| SR | Slew rate | $R_L = 10\text{ k}\Omega$, $C_L = 20\text{ pF}$, $V_{out} = 0.5\text{ V to }1.3\text{ V}$ | | 0.03 | | $\text{V}/\mu\text{s}$ |

Table 3. Electrical characteristics at $V_{CC+} = 1.8\text{ V}$ with $V_{CC-} = 0\text{ V}$, $V_{icm} = V_{CC}/2$, $T_{amb} = 25\text{ °C}$, and R_L connected to $V_{CC}/2$ (unless otherwise specified) (continued)

| Symbol | Parameter | Conditions | Min. | Typ. | Max. | Unit |
|--------|-----------------------------------|---|------|------|------|------------------------|
| e_n | Equivalent input noise voltage | $f = 1\text{ kHz}$ | | 110 | | $\frac{nV}{\sqrt{Hz}}$ |
| THD+N | Total harmonic distortion + noise | $F_{in} = 1\text{ kHz}$, $A_v = 1$, $V_{out} = 1\text{ V}_{pp}$, $R_L = 100\text{ k}\Omega$, $BW = 22\text{ kHz}$ | | 0.07 | | % |

1. Guaranteed by design.

Table 4. Electrical characteristics at $V_{CC+} = 3.3\text{ V}$, $V_{CC-} = 0\text{ V}$, $V_{icm} = V_{CC}/2$, $T_{amb} = 25\text{ }^{\circ}\text{C}$, R_L connected to $V_{CC}/2$ (unless otherwise specified)

| Symbol | Parameter | | Min. | Typ. | Max. | Unit |
|--------------------------|---|--|----------|-------|------------|--------------------------------------|
| DC performance | | | | | | |
| V_{io} | Offset voltage | TSV61x | | | 4 | mV |
| | | TSV61xA | | | 0.8 | |
| | | $T_{min} < T_{op} < T_{max}$ TSV61x | | | 5 | |
| | | $T_{min} < T_{op} < T_{max}$ TSV61xA | | | 2 | |
| $\Delta V_{io}/\Delta T$ | Input offset voltage drift | | | 2 | | $\mu\text{V}/^{\circ}\text{C}$ |
| I_{io} | Input offset current | | | 1 | $10^{(1)}$ | pA |
| | | $T_{min.} < T_{op} < T_{max.}$ | | 1 | 100 | |
| I_{ib} | Input bias current | | | 1 | $10^{(1)}$ | pA |
| | | $T_{min.} < T_{op} < T_{max.}$ | | 1 | 100 | |
| CMR | Common mode rejection ratio $20 \log (\Delta V_{ic}/\Delta V_{io})$ | 0 V to 3.3 V, $V_{out} = 1.75\text{ V}$ | 61 | 76 | | dB |
| | | $T_{min.} < T_{op} < T_{max.}$ | 58 | | | |
| A_{vd} | Large signal voltage gain | $R_L = 10\text{ k}\Omega$, $V_{out} = 0.5\text{ V}$ to 2.8 V | 85 | 92 | | dB |
| | | $T_{min.} < T_{op} < T_{max.}$ | 83 | | | |
| V_{OH} | High level output voltage ($V_{OH} = V_{CC} - V_{out}$) | $R_L = 10\text{ k}\Omega$ $T_{min.} < T_{op} < T_{max.}$ | | 5 | 35 50 | mV |
| V_{OL} | Low level output voltage | $R_L = 10\text{ k}\Omega$ $T_{min.} < T_{op} < T_{max.}$ | | 10 | 35 50 | |
| I_{out} | Isink | $V_o = V_{CC}$ $T_{min.} < T_{op} < T_{max.}$ | 37 35 | 44 | | mA |
| | Isource | $V_o = 0\text{ V}$ $T_{min.} < T_{op} < T_{max.}$ | 32 30 | 38 | | |
| I_{CC} | Supply current (per operator) | No load, $V_{out} = V_{CC}/2$ | 6.5 | 9.5 | 12.5 | μA |
| | | $T_{min.} < T_{op} < T_{max.}$ | 6 | | 13 | |
| AC performance | | | | | | |
| GBP | Gain bandwidth product | | | 110 | | kHz |
| ϕ_m | Phase margin | $R_L = 10\text{ k}\Omega$, $C_L = 20\text{ pF}$ | | 60 | | Degrees |
| G_m | Gain margin | | | 9.5 | | dB |
| SR | Slew rate | $R_L = 10\text{ k}\Omega$, $C_L = 20\text{ pF}$, $V_{out} = 0.5\text{ V}$ to 2.8 V | | 0.035 | | $\text{V}/\mu\text{s}$ |
| e_n | Equivalent input noise voltage | $f = 1\text{ kHz}$ | | 110 | | $\frac{\text{nV}}{\sqrt{\text{Hz}}}$ |

1. Guaranteed by design.

Table 5. Electrical characteristics at $V_{CC+} = 5\text{ V}$, $V_{CC-} = 0\text{ V}$, $V_{icm} = V_{CC}/2$, $T_{amb} = 25\text{ °C}$, R_L connected to $V_{CC}/2$ (unless otherwise specified)

| Symbol | Parameter | | Min. | Typ. | Max. | Unit |
|--------------------------|--|---|----------|------|-------------------|-------------------------|
| DC performance | | | | | | |
| V_{io} | Offset voltage | TSV61x | | | 4 | mV |
| | | TSV61xA | | | 0.8 | |
| | | $T_{min} < T_{op} < T_{max}$ TSV61x | | | 5 | |
| | | $T_{min} < T_{op} < T_{max}$ TSV61xA | | | 2 | |
| $\Delta V_{io}/\Delta T$ | Input offset voltage drift | | | 2 | | $\mu\text{V}/\text{°C}$ |
| I_{io} | Input offset current | | | 1 | 10 ⁽¹⁾ | pA |
| | | $T_{min} < T_{op} < T_{max}$. | | 1 | 100 | |
| I_{ib} | Input bias current | | | 1 | 10 ⁽¹⁾ | pA |
| | | $T_{min} < T_{op} < T_{max}$. | | 1 | 100 | |
| CMR | Common mode rejection ratio $20 \log (\Delta V_{ic}/\Delta V_{io})$ | 0 V to 5 V, $V_{out} = 2.5\text{ V}$ | 64 | 80 | | dB |
| | | $T_{min} < T_{op} < T_{max}$. | 63 | | | |
| SVR | Supply voltage rejection ratio $20 \log (\Delta V_{cc}/\Delta V_{io})$ | $V_{cc} = 1.8\text{ to }5\text{ V}$ | 76 | 93 | | dB |
| | | $T_{min} < T_{op} < T_{max}$. | 74 | | | |
| A_{vd} | Large signal voltage gain | $R_L = 10\text{ k}\Omega$, $V_{out} = 0.5\text{ V to }4.5\text{ V}$ | 88 | 93 | | dB |
| | | $T_{min} < T_{op} < T_{max}$ | 85 | | | |
| V_{OH} | High level output voltage ($V_{OH} = V_{CC} - V_{out}$) | $R_L = 10\text{ k}\Omega$ $T_{min} < T_{op} < T_{max}$. | | 7 | 35 50 | mV |
| V_{OL} | Low level output voltage | $R_L = 10\text{ k}\Omega$ $T_{min} < T_{op} < T_{max}$. | | 16 | 35 50 | |
| I_{out} | Isink | $V_o = V_{CC}$ $T_{min} < T_{op} < T_{max}$. | 52 42 | 57 | | mA |
| | Isource | $V_o = 0\text{ V}$ $T_{min} < T_{op} < T_{max}$. | 58 49 | 63 | | |
| I_{CC} | Supply current (per operator) | No load, $V_{out} = V_{CC}/2$ | 7.5 | 10.5 | 14 | μA |
| | | $T_{min} < T_{op} < T_{max}$. | 7 | | 15 | |
| AC performance | | | | | | |
| GBP | Gain bandwidth product | | | 120 | | kHz |
| ϕ_m | Phase margin | $R_L = 10\text{ k}\Omega$, $C_L = 20\text{ pF}$ | | 62 | | Degrees |
| G_m | Gain margin | | | 10 | | dB |
| SR | Slew rate | $R_L = 10\text{ k}\Omega$, $C_L = 20\text{ pF}$, $V_{out} = 0.5\text{V to }4.5\text{V}$ | | 0.04 | | $\text{V}/\mu\text{s}$ |

Table 5. Electrical characteristics at $V_{CC+} = 5\text{ V}$, $V_{CC-} = 0\text{ V}$, $V_{icm} = V_{CC}/2$, $T_{amb} = 25\text{ °C}$, R_L connected to $V_{CC}/2$ (unless otherwise specified) (continued)

| Symbol | Parameter | | Min. | Typ. | Max. | Unit |
|--------|-----------------------------------|---|------|------|------|------------------------|
| e_n | Equivalent input noise voltage | $f = 1\text{ kHz}$ | | 105 | | $\frac{nV}{\sqrt{Hz}}$ |
| THD+N | Total harmonic distortion + noise | $F_{in} = 1\text{ kHz}$, $A_v = 1$, $V_{out} = 1\text{ V}_{pp}$, $R_L = 100\text{ k}\Omega$, $BW = 22\text{ kHz}$ | | 0.02 | | % |

1. Guaranteed by design.

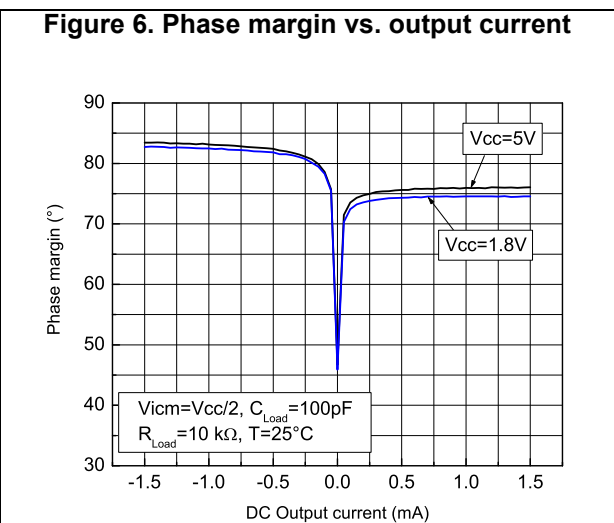
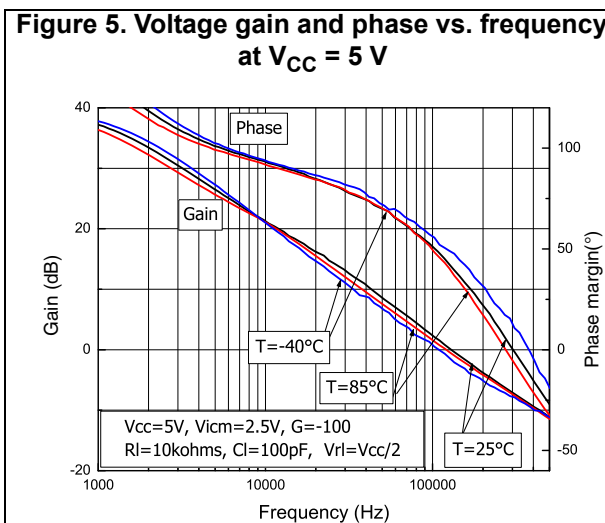
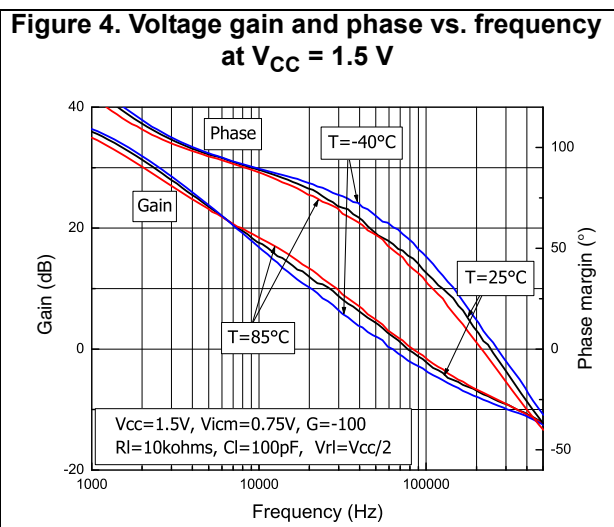
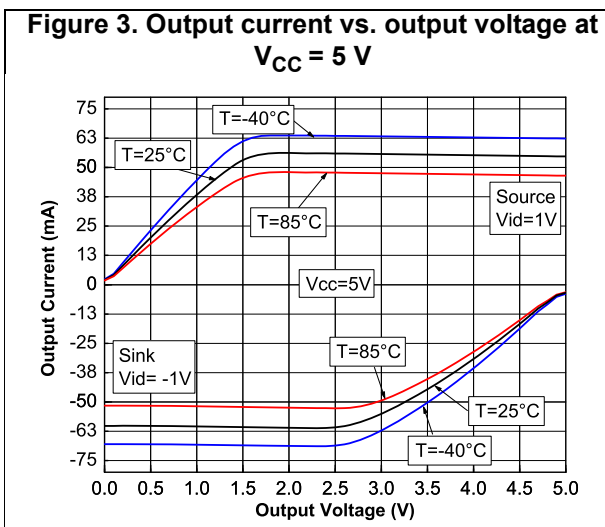
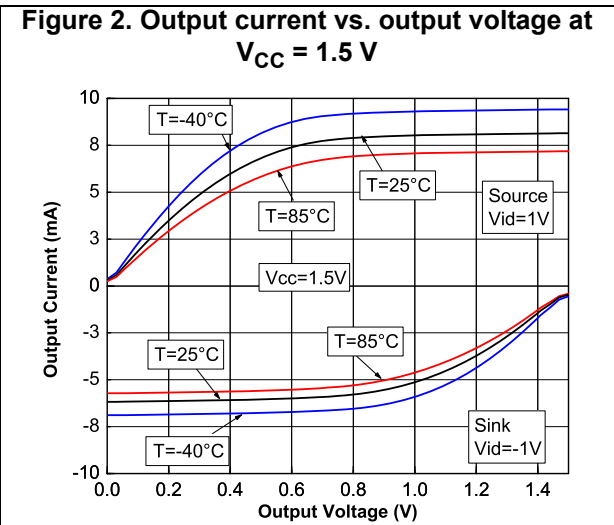
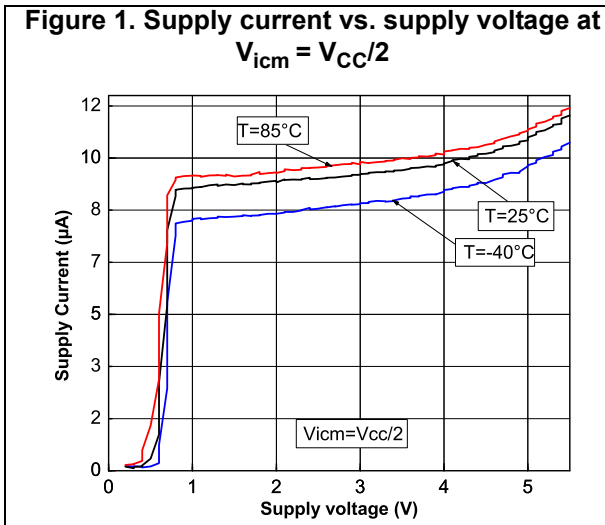


Figure 7. Positive slew rate vs. time, $V_{CC} = 1.5\text{ V}$, $C_{Load} = 100\text{ pF}$, $R_{Load} = 10\text{ k}\Omega$

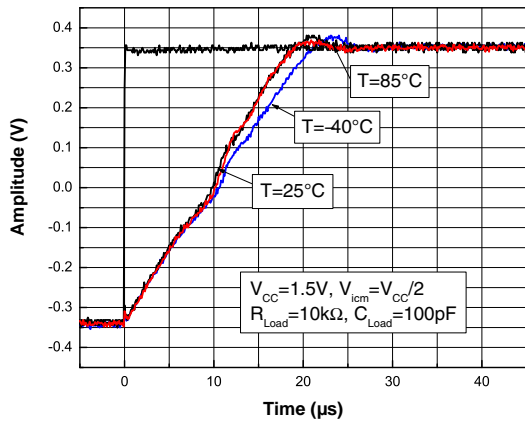


Figure 8. Negative slew rate vs. time, $V_{CC} = 1.5\text{ V}$, $C_{Load} = 100\text{ pF}$, $R_{Load} = 10\text{ k}\Omega$

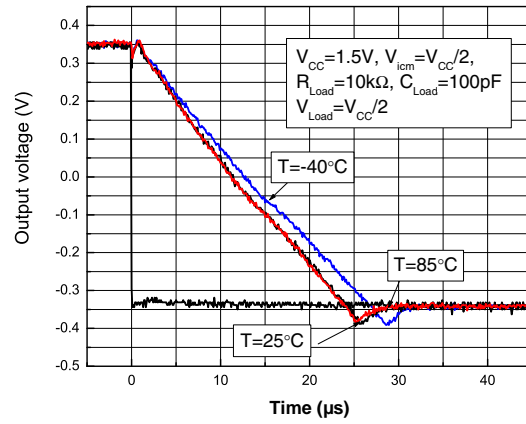


Figure 9. Positive slew rate vs. time, $V_{CC} = 5.5\text{ V}$, $C_{Load} = 100\text{ pF}$, $R_{Load} = 100\text{ k}\Omega$

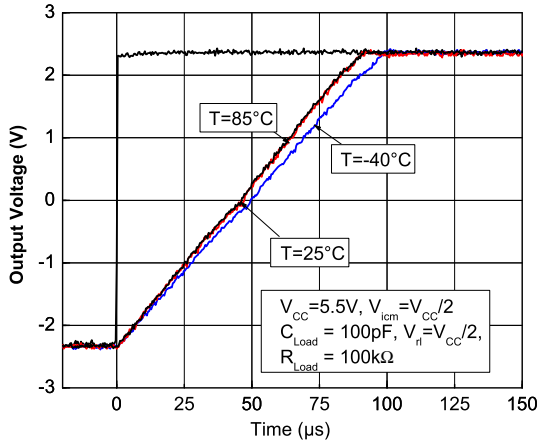


Figure 10. Negative slew rate vs. time, $V_{CC} = 5.5\text{ V}$, $C_{Load} = 100\text{ pF}$, $R_{Load} = 100\text{ k}\Omega$

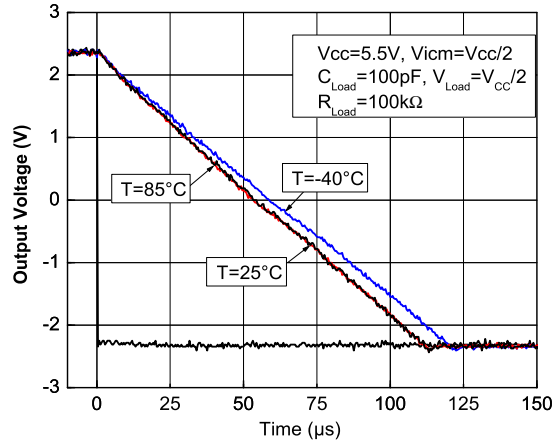


Figure 11. Slew rate vs. supply voltage

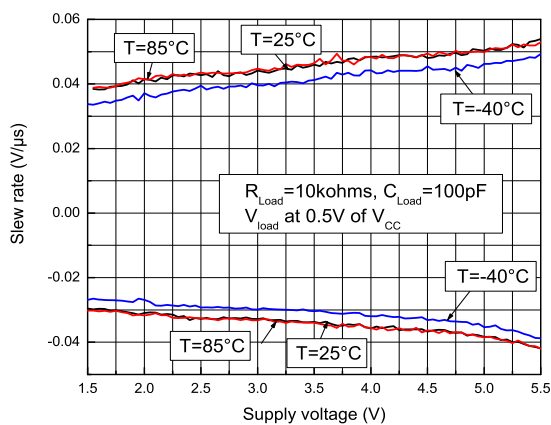


Figure 12. Noise vs. frequency at $V_{CC} = 5\text{ V}$

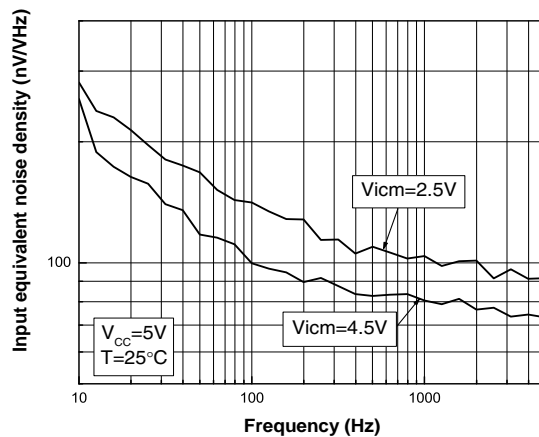


Figure 13. Distortion + noise vs. frequency

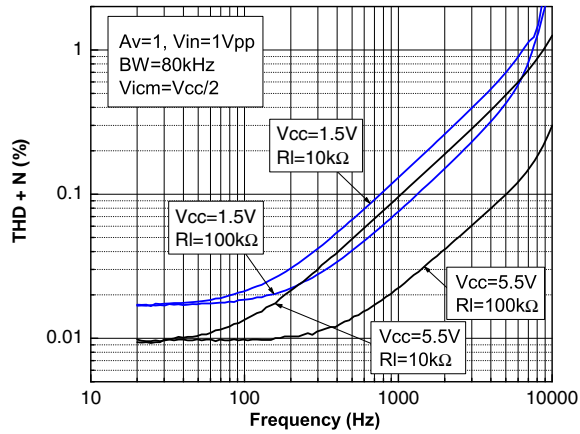


Figure 14. Distortion + noise vs. output voltage

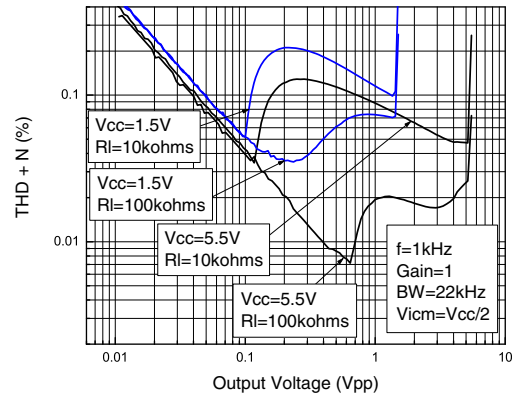


Figure 15. Voltage gain and phase vs. frequency at $V_{CC} = 1.8 V$ (based on simulation results)

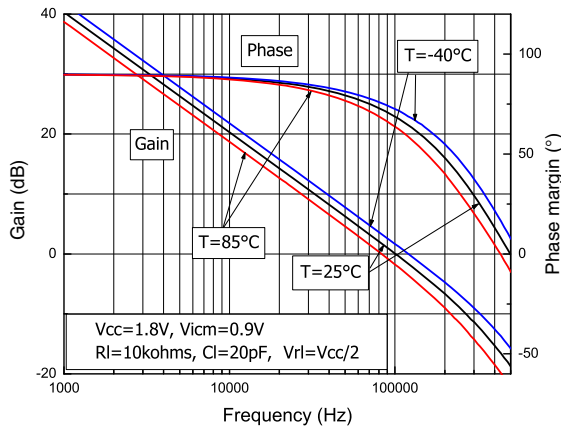
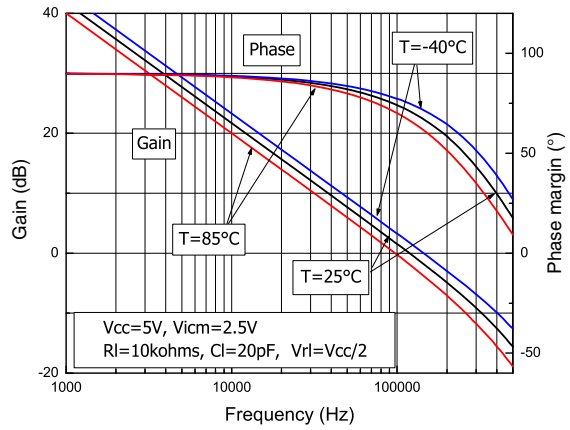


Figure 16. Voltage gain and phase vs. frequency at $V_{CC} = 5 V$ (based on simulation results)



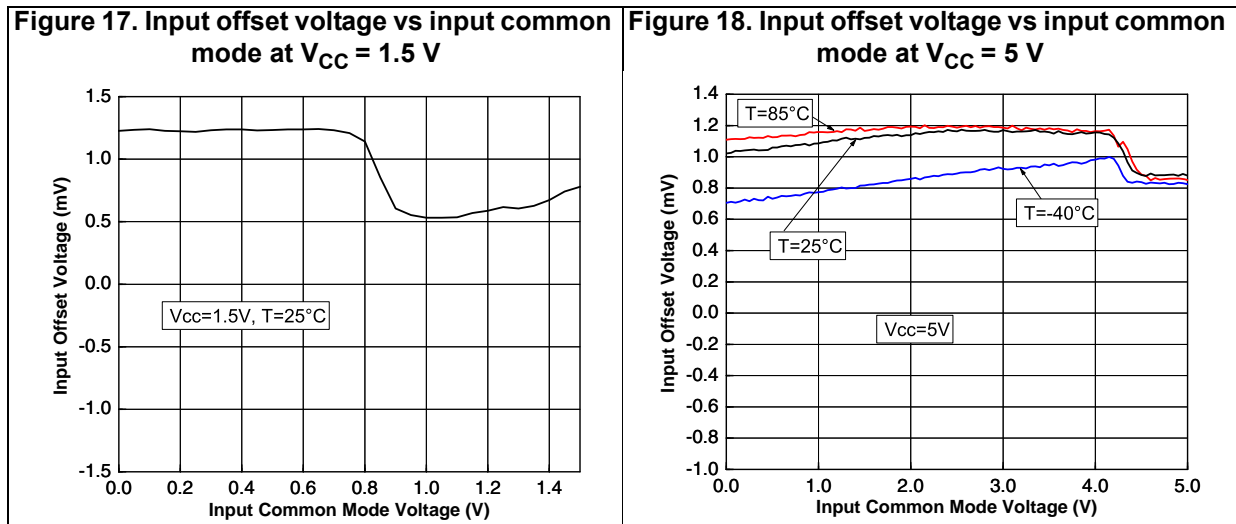
3 Application information

3.1 Operating voltages

The TSV61x can operate from 1.5 to 5.5 V. The parameters are fully specified for 1.8, 3.3, and 5 V power supplies. However, the parameters are very stable in the full V_{CC} range and several characterization curves show the TSV61x characteristics at 1.5 V. Additionally, the main specifications are guaranteed in extended temperature ranges from $-40\text{ }^{\circ}\text{C}$ to $85\text{ }^{\circ}\text{C}$.

3.2 Rail-to-rail input

The TSV61x are built with two complementary PMOS and NMOS input differential pairs. The devices have a rail-to-rail input, and the input common mode range is extended from $(V_{CC-}) - 0.1\text{ V}$ to $(V_{CC+}) + 0.1\text{ V}$. The transition between the two pairs appears at $(V_{CC+}) - 0.7\text{ V}$. In the transition region, the performance of CMRR, PSRR, V_{IO} and THD is slightly degraded (as shown in [Figure 17](#) and [Figure 18](#) for V_{IO} vs. V_{icm}).



The device is guaranteed without phase reversal.

3.3 Rail-to-rail output

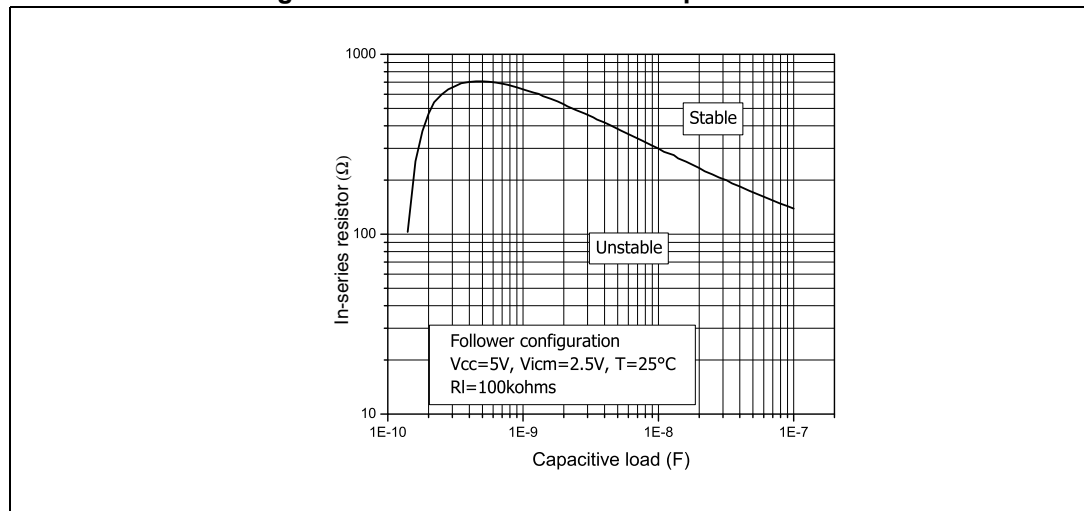
The operational amplifiers' output levels can go close to the rails: less than 35 mV above GND rail and less than 35 mV below V_{CC} rail when connected to $10\text{ k}\Omega$ load to $V_{CC}/2$.

3.4 Driving resistive and capacitive loads

These products are micro-power, low-voltage operational amplifiers optimized to drive rather large resistive loads, above 10 k Ω . For lower resistive loads, the THD level may significantly increase.

In a follower configuration, these operational amplifiers can drive capacitive loads up to 100 pF with no oscillations. When driving larger capacitive loads, adding an in-series resistor at the output can improve the stability of the devices (see [Figure 19](#) for recommended in-series resistor values). Once the in-series resistor value has been selected, the stability of the circuit should be tested on bench and simulated with the simulation model.

Figure 19. In-series resistor vs. capacitive load



3.5 PCB layouts

For correct operation, it is advised to add 10 nF decoupling capacitors as close as possible to the power supply pins.

3.6 Macromodel

An accurate macromodel of the TSV61x is available on STMicroelectronics' web site at www.st.com. This model is a trade-off between accuracy and complexity (that is, time simulation) of the TSV61x operational amplifiers. It emulates the nominal performances of a typical device within the specified operating conditions mentioned in the datasheet. It also helps to validate a design approach and to select the right operational amplifier, *but it does not replace on-board measurements*.

4 Package information

In order to meet environmental requirements, ST offers these devices in different grades of ECOPACK[®] packages, depending on their level of environmental compliance. ECOPACK[®] specifications, grade definitions and product status are available at: www.st.com. ECOPACK[®] is an ST trademark.

4.1 SOT23-5 package information

Figure 20. SOT23-5 package outline

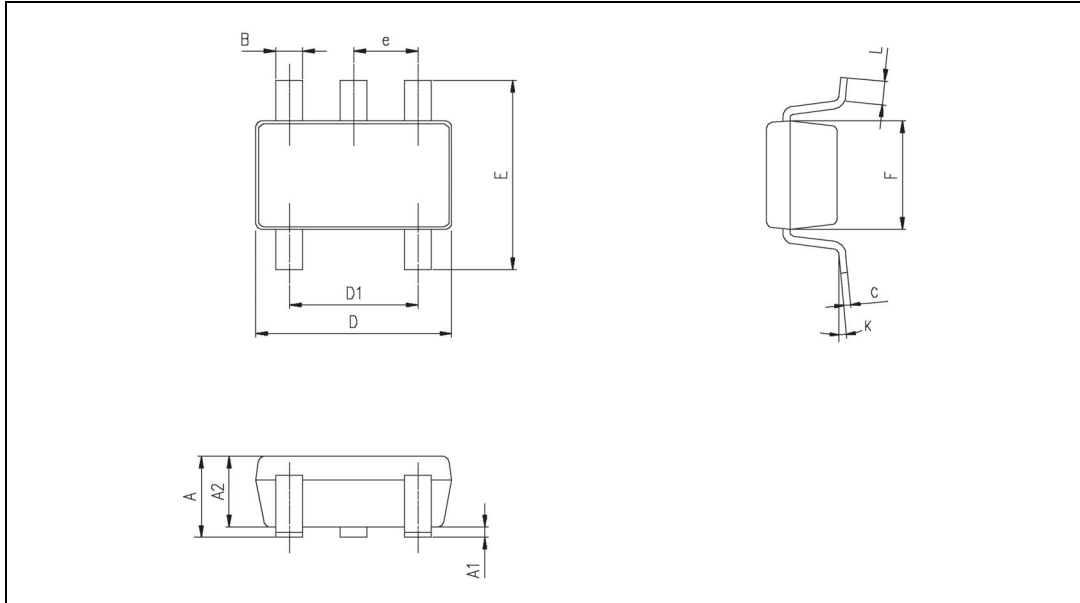


Table 6. SOT23-5 mechanical data

| Ref. | Dimensions | | | | | |
|------|-------------|------|------------|--------|-------|-------|
| | Millimeters | | | Inches | | |
| | Min. | Typ. | Max. | Min. | Typ. | Max. |
| A | 0.90 | 1.20 | 1.45 | 0.035 | 0.047 | 0.057 |
| A1 | | | 0.15 | | | 0.006 |
| A2 | 0.90 | 1.05 | 1.30 | 0.035 | 0.041 | 0.051 |
| B | 0.35 | 0.40 | 0.50 | 0.013 | 0.015 | 0.019 |
| C | 0.09 | 0.15 | 0.20 | 0.003 | 0.006 | 0.008 |
| D | 2.80 | 2.90 | 3.00 | 0.110 | 0.114 | 0.118 |
| D1 | | 1.90 | | | 0.075 | |
| e | | 0.95 | | | 0.037 | |
| E | 2.60 | 2.80 | 3.00 | 0.102 | 0.110 | 0.118 |
| F | 1.50 | 1.60 | 1.75 | 0.059 | 0.063 | 0.069 |
| L | 0.10 | 0.35 | 0.60 | 0.004 | 0.013 | 0.023 |
| K | 0 degrees | | 10 degrees | | | |

4.2 SC70-5 (SOT323-5) package information

Figure 21. SC70-5 (SOT323-5) package outline

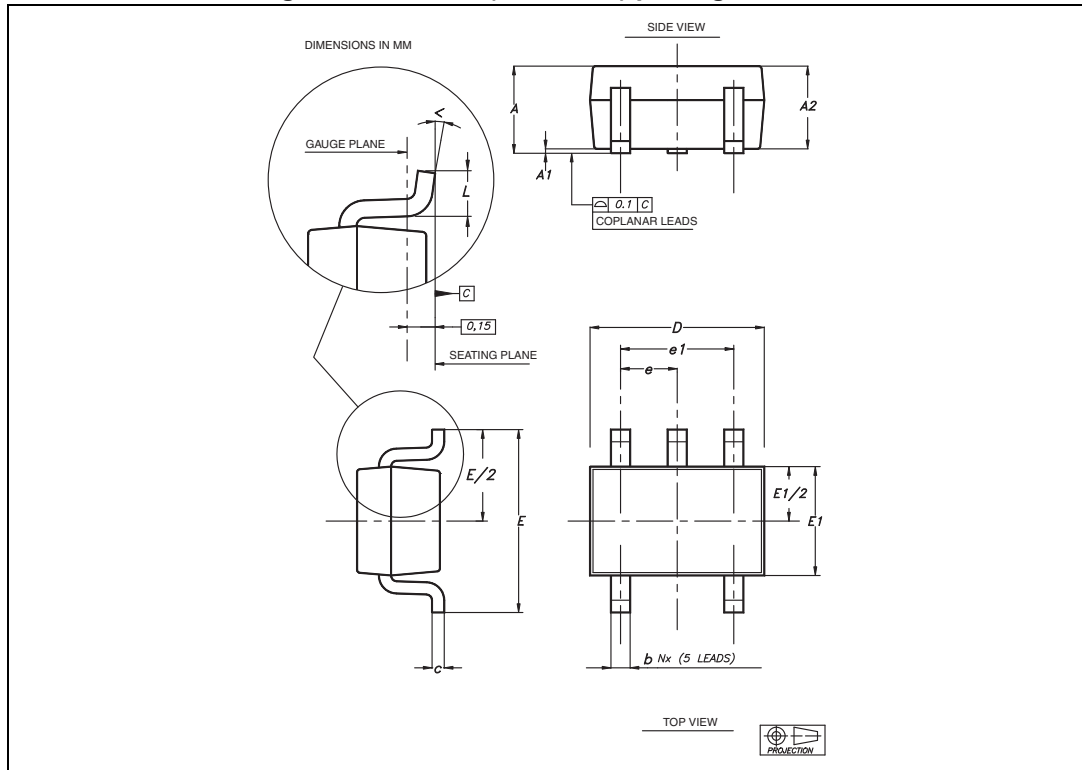


Table 7. SC70-5 (SOT323-5) mechanical data

| Ref | Dimensions | | | | | |
|-----|-------------|------|------|--------|-------|-------|
| | Millimeters | | | Inches | | |
| | Min | Typ | Max | Min | Typ | Max |
| A | 0.80 | | 1.10 | 0.315 | | 0.043 |
| A1 | | | 0.10 | | | 0.004 |
| A2 | 0.80 | 0.90 | 1.00 | 0.315 | 0.035 | 0.039 |
| b | 0.15 | | 0.30 | 0.006 | | 0.012 |
| c | 0.10 | | 0.22 | 0.004 | | 0.009 |
| D | 1.80 | 2.00 | 2.20 | 0.071 | 0.079 | 0.087 |
| E | 1.80 | 2.10 | 2.40 | 0.071 | 0.083 | 0.094 |
| E1 | 1.15 | 1.25 | 1.35 | 0.045 | 0.049 | 0.053 |
| e | | 0.65 | | | 0.025 | |
| e1 | | 1.30 | | | 0.051 | |
| L | 0.26 | 0.36 | 0.46 | 0.010 | 0.014 | 0.018 |
| < | 0° | | 8° | | | |

4.3 SO8 package information

Figure 22. SO8 package outline

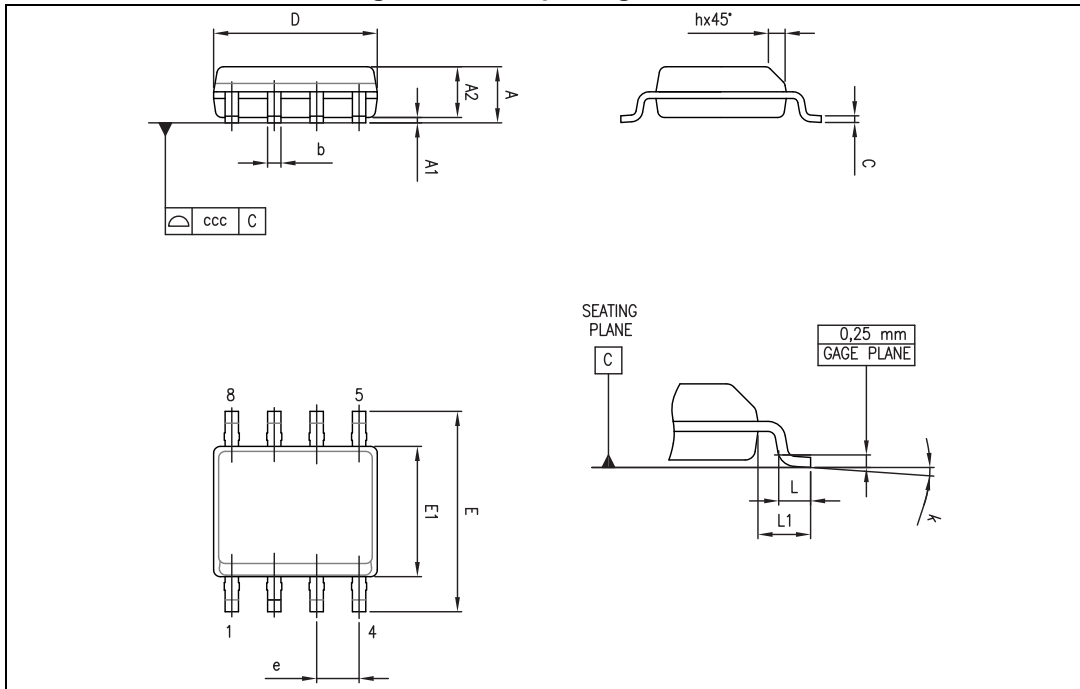


Table 8. SO8 mechanical data

| Ref. | Dimensions | | | | | |
|------|-------------|------|------|--------|-------|-------|
| | Millimeters | | | Inches | | |
| | Min. | Typ. | Max. | Min. | Typ. | Max. |
| A | | | 1.75 | | | 0.069 |
| A1 | 0.10 | | 0.25 | 0.004 | | 0.010 |
| A2 | 1.25 | | | 0.049 | | |
| b | 0.28 | | 0.48 | 0.011 | | 0.019 |
| c | 0.17 | | 0.23 | 0.007 | | 0.010 |
| D | 4.80 | 4.90 | 5.00 | 0.189 | 0.193 | 0.197 |
| E | 5.80 | 6.00 | 6.20 | 0.228 | 0.236 | 0.244 |
| E1 | 3.80 | 3.90 | 4.00 | 0.150 | 0.154 | 0.157 |
| e | | 1.27 | | | 0.050 | |
| h | 0.25 | | 0.50 | 0.010 | | 0.020 |
| L | 0.40 | | 1.27 | 0.016 | | 0.050 |
| L1 | | 1.04 | | | 0.040 | |
| k | 1° | | 8° | 1° | | 8° |
| ccc | | | 0.10 | | | 0.004 |

4.4 MiniSO8 package information

Figure 23. MiniSO8 package outline

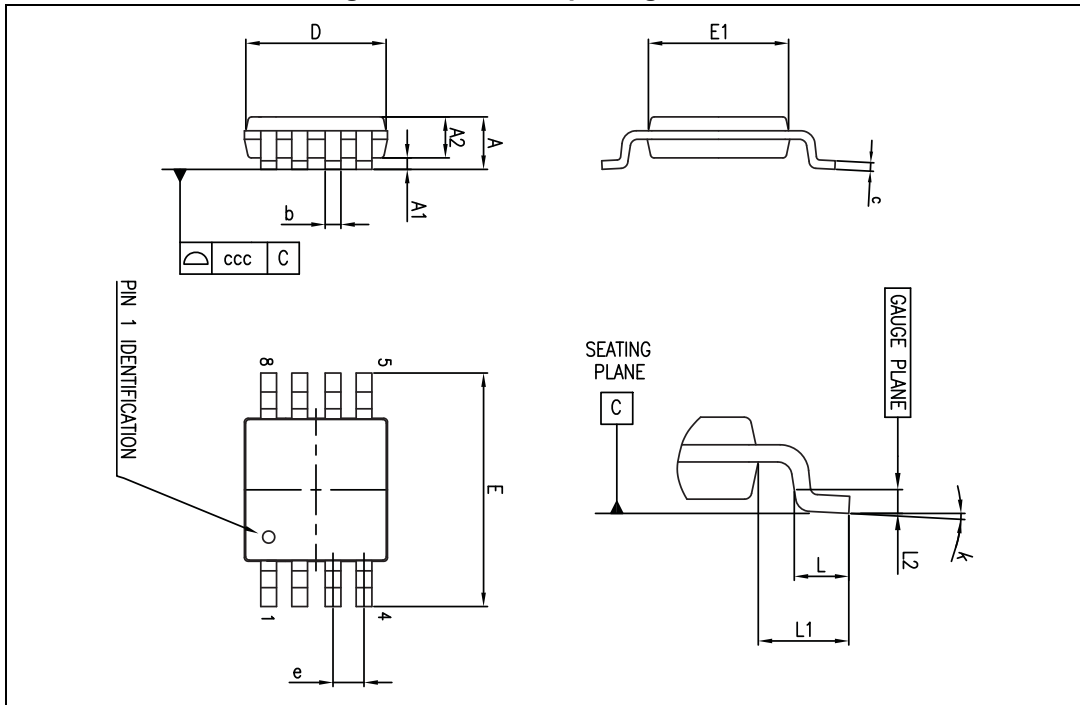


Table 9. MiniSO8 mechanical data

| Ref. | Dimensions | | | | | |
|------|-------------|------|------|--------|-------|-------|
| | Millimeters | | | Inches | | |
| | Min. | Typ. | Max. | Min. | Typ. | Max. |
| A | | | 1.1 | | | 0.043 |
| A1 | 0 | | 0.15 | 0 | | 0.006 |
| A2 | 0.75 | 0.85 | 0.95 | 0.030 | 0.033 | 0.037 |
| b | 0.22 | | 0.40 | 0.009 | | 0.016 |
| c | 0.08 | | 0.23 | 0.003 | | 0.009 |
| D | 2.80 | 3.00 | 3.20 | 0.11 | 0.118 | 0.126 |
| E | 4.65 | 4.90 | 5.15 | 0.183 | 0.193 | 0.203 |
| E1 | 2.80 | 3.00 | 3.10 | 0.11 | 0.118 | 0.122 |
| e | | 0.65 | | | 0.026 | |
| L | 0.40 | 0.60 | 0.80 | 0.016 | 0.024 | 0.031 |
| L1 | | 0.95 | | | 0.037 | |
| L2 | | 0.25 | | | 0.010 | |
| k | 0° | | 8° | 0° | | 8° |
| ccc | | | 0.10 | | | 0.004 |

5 Ordering information

Table 10. Order codes

| Order code | Temperature range | Package | Packing | Marking |
|------------|-------------------|----------|---------------|---------|
| TSV611ILT | -40 °C to 85 °C | SOT23-5 | Tape and reel | K12 |
| TSV611AILT | | | | K11 |
| TSV611ICT | | SC70-5 | | K12 |
| TSV611AICT | | | | K11 |
| TSV612IDT | | SO-8 | | V612I |
| TSV612AIDT | | | | V612AI |
| TSV612IST | | MiniSO-8 | | K113 |
| TSV612AIST | | | | K115 |

6 Revision history

Table 11. Document revision history

| Date | Revision | Changes |
|-------------|----------|---|
| 28-May-2009 | 1 | Initial release. |
| 18-Jan-2010 | 2 | Full datasheet for product now in production. Added Figure 1 to Figure 19. |
| 11-May-2017 | 3 | <i>Table 3, Table 4, and Table 5</i> : changed “ DV_{io} to $\Delta V_{io}/\Delta T$ ”, updated V_{OH} parameter information, changed min. values of V_{OH} parameter to max. values. <i>Table 10: Order codes</i> : removed obsolete order codes TSV612ID and TSV612AID |

IMPORTANT NOTICE – PLEASE READ CAREFULLY

STMicroelectronics NV and its subsidiaries (“ST”) reserve the right to make changes, corrections, enhancements, modifications, and improvements to ST products and/or to this document at any time without notice. Purchasers should obtain the latest relevant information on ST products before placing orders. ST products are sold pursuant to ST’s terms and conditions of sale in place at the time of order acknowledgement.

Purchasers are solely responsible for the choice, selection, and use of ST products and ST assumes no liability for application assistance or the design of Purchasers’ products.

No license, express or implied, to any intellectual property right is granted by ST herein.

Resale of ST products with provisions different from the information set forth herein shall void any warranty granted by ST for such product.

ST and the ST logo are trademarks of ST. All other product or service names are the property of their respective owners.

Information in this document supersedes and replaces information previously supplied in any prior versions of this document.

© 2017 STMicroelectronics – All rights reserved

