

# ON Semiconductor

## Is Now

The logo for onsemi, featuring the word "onsemi" in a dark teal, lowercase, sans-serif font. The letter "i" is stylized with a white dot and a teal vertical bar. A small orange triangle is positioned above the top right of the "i". A trademark symbol (TM) is located to the right of the logo.

To learn more about onsemi™, please visit our website at  
[www.onsemi.com](http://www.onsemi.com)

**onsemi** and **onsemi** and other names, marks, and brands are registered and/or common law trademarks of Semiconductor Components Industries, LLC dba "**onsemi**" or its affiliates and/or subsidiaries in the United States and/or other countries. **onsemi** owns the rights to a number of patents, trademarks, copyrights, trade secrets, and other intellectual property. A listing of **onsemi** product/patent coverage may be accessed at [www.onsemi.com/site/pdf/Patent-Marking.pdf](http://www.onsemi.com/site/pdf/Patent-Marking.pdf). **onsemi** reserves the right to make changes at any time to any products or information herein, without notice. The information herein is provided "as-is" and **onsemi** makes no warranty, representation or guarantee regarding the accuracy of the information, product features, availability, functionality, or suitability of its products for any particular purpose, nor does **onsemi** assume any liability arising out of the application or use of any product or circuit, and specifically disclaims any and all liability, including without limitation special, consequential or incidental damages. Buyer is responsible for its products and applications using **onsemi** products, including compliance with all laws, regulations and safety requirements or standards, regardless of any support or applications information provided by **onsemi**. "Typical" parameters which may be provided in **onsemi** data sheets and/or specifications can and do vary in different applications and actual performance may vary over time. All operating parameters, including "Typicals" must be validated for each customer application by customer's technical experts. **onsemi** does not convey any license under any of its intellectual property rights nor the rights of others. **onsemi** products are not designed, intended, or authorized for use as a critical component in life support systems or any FDA Class 3 medical devices or medical devices with a same or similar classification in a foreign jurisdiction or any devices intended for implantation in the human body. Should Buyer purchase or use **onsemi** products for any such unintended or unauthorized application, Buyer shall indemnify and hold **onsemi** and its officers, employees, subsidiaries, affiliates, and distributors harmless against all claims, costs, damages, and expenses, and reasonable attorney fees arising out of, directly or indirectly, any claim of personal injury or death associated with such unintended or unauthorized use, even if such claim alleges that **onsemi** was negligent regarding the design or manufacture of the part. **onsemi** is an Equal Opportunity/Affirmative Action Employer. This literature is subject to all applicable copyright laws and is not for resale in any manner. Other names and brands may be claimed as the property of others.



Is Now Part of



**ON Semiconductor®**

To learn more about ON Semiconductor, please visit our website at  
[www.onsemi.com](http://www.onsemi.com)

Please note: As part of the Fairchild Semiconductor integration, some of the Fairchild orderable part numbers will need to change in order to meet ON Semiconductor's system requirements. Since the ON Semiconductor product management systems do not have the ability to manage part nomenclature that utilizes an underscore (\_), the underscore (\_) in the Fairchild part numbers will be changed to a dash (-). This document may contain device numbers with an underscore (\_). Please check the ON Semiconductor website to verify the updated device numbers. The most current and up-to-date ordering information can be found at [www.onsemi.com](http://www.onsemi.com). Please email any questions regarding the system integration to [Fairchild\\_questions@onsemi.com](mailto:Fairchild_questions@onsemi.com).

ON Semiconductor and the ON Semiconductor logo are trademarks of Semiconductor Components Industries, LLC dba ON Semiconductor or its subsidiaries in the United States and/or other countries. ON Semiconductor owns the rights to a number of patents, trademarks, copyrights, trade secrets, and other intellectual property. A listing of ON Semiconductor's product/patent coverage may be accessed at [www.onsemi.com/site/pdf/Patent-Marking.pdf](http://www.onsemi.com/site/pdf/Patent-Marking.pdf). ON Semiconductor reserves the right to make changes without further notice to any products herein. ON Semiconductor makes no warranty, representation or guarantee regarding the suitability of its products for any particular purpose, nor does ON Semiconductor assume any liability arising out of the application or use of any product or circuit, and specifically disclaims any and all liability, including without limitation special, consequential or incidental damages. Buyer is responsible for its products and applications using ON Semiconductor products, including compliance with all laws, regulations and safety requirements or standards, regardless of any support or applications information provided by ON Semiconductor. "Typical" parameters which may be provided in ON Semiconductor data sheets and/or specifications can and do vary in different applications and actual performance may vary over time. All operating parameters, including "Typicals" must be validated for each customer application by customer's technical experts. ON Semiconductor does not convey any license under its patent rights nor the rights of others. ON Semiconductor products are not designed, intended, or authorized for use as a critical component in life support systems or any FDA Class 3 medical devices or medical devices with a same or similar classification in a foreign jurisdiction or any devices intended for implantation in the human body. Should Buyer purchase or use ON Semiconductor products for any such unintended or unauthorized application, Buyer shall indemnify and hold ON Semiconductor and its officers, employees, subsidiaries, affiliates, and distributors harmless against all claims, costs, damages, and expenses, and reasonable attorney fees arising out of, directly or indirectly, any claim of personal injury or death associated with such unintended or unauthorized use, even if such claim alleges that ON Semiconductor was negligent regarding the design or manufacture of the part. ON Semiconductor is an Equal Opportunity/Affirmative Action Employer. This literature is subject to all applicable copyright laws and is not for resale in any manner.

# SG6846A

## Highly Integrated Green-Mode PWM Controller

### Features

- Low Startup Current: 8µA
- Low Operating Current: 3.7mA
- Peak-Current Mode of Operation with Cycle-by-Cycle Current Limiting
- PWM Frequency Continuously Decreasing with Burst Mode at Light Loads
- V<sub>DD</sub> Over-Voltage Protection (OVP)
- AC Input Brownout Protection with Hysteresis
- Constant Output Power Limit (Full AC Input Range)
- Internal Latch Circuit for OVP, OTP, and OCP
- Two-level OCP Delay: 1600ms
- Output Short-Circuited Delay Time: 100ms
- Programmable PWM Frequency with Frequency Hopping
- OCP Threshold is Half Peak Current Limit
- Feedback Open-loop Protection with 1700ms Delay
- Built-in Soft-Start

### Applications

General-purpose switch-mode power supplies and flyback power converters, including:

- Power Adapters
- Open-frame SMPS
- SMPS with Surge-current Output, such as for Printers, Scanners, Motor Drivers

### Description

The SG6846A is especially designed for SMPS with surge-current output, incorporated with a two-level OCP function. Besides the cycle-by-cycle current limiting, if the switching current is higher than two thirds the peak-current threshold for 1700ms, over-current protection is activated such that the SG6846A is latched off.

If the switching current is higher than two thirds of the peak-current threshold for 100ms, and the voltage on the V<sub>DD</sub> is still higher than V<sub>DD-OFF</sub> + 1V, the PWM pulses are latched off immediately once the V<sub>DD</sub> voltage is lower than V<sub>DD-OFF</sub> + 1V. This is useful when an output short circuit occurs.

SG6846A also integrates a frequency-hopping function internally to reduce EMI emission of a power supply with minimum line filters. Its built-in synchronized slope compensation provides proprietary internal compensation for constant output power limit over universal AC input range. Also, the gate output is clamped at 18V to protect the external MOSFET from over-voltage damage. Internal soft-start is built-in to soften the stress on the MOSFET and startup current during power on period.

Other protection functions include AC input brownout protection with hysteresis, V<sub>DD</sub> over-voltage protection, and over-temperature protection. For over-temperature protection, an external NTC thermistor can be applied to sense the ambient temperature. When OCP, V<sub>DD</sub> OVP, or OTP is activated, an internal latch circuit latches off the controller. The PWM pulses stay latched off until the power supply is disconnected from the mains outlet.

SG6846A controller is available in 8-pin SOP package.

### Ordering Information

Part Number	Operating Temperature Range	OCP Latch	Package	Packing Method
SG6846ALS Y	-40 to +105°C	Yes	8-Pin Small Outline Package (SOP)	Tape & Reel
SG6846ALS Z	-40 to +105°C	Yes	8-Pin Small Outline Package (SOP)	Tape & Reel
SG6846ACS Y	-40 to +105°C	No	8-Pin Small Outline Package (SOP)	Tape & Reel

### Typical Application

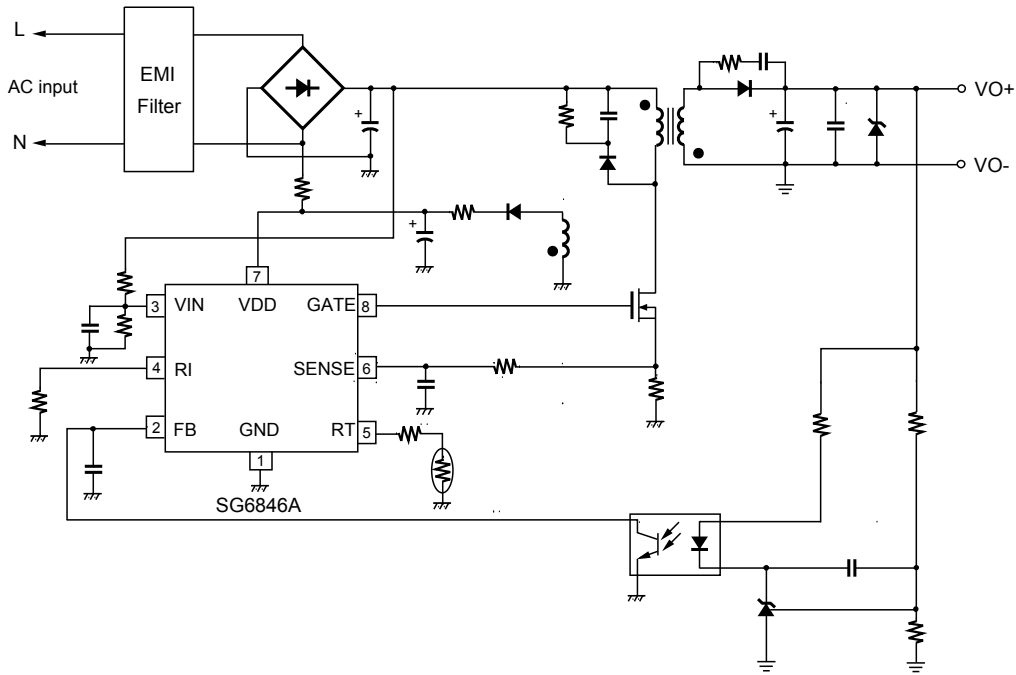


Figure 1. Typical Application

### Block Diagram

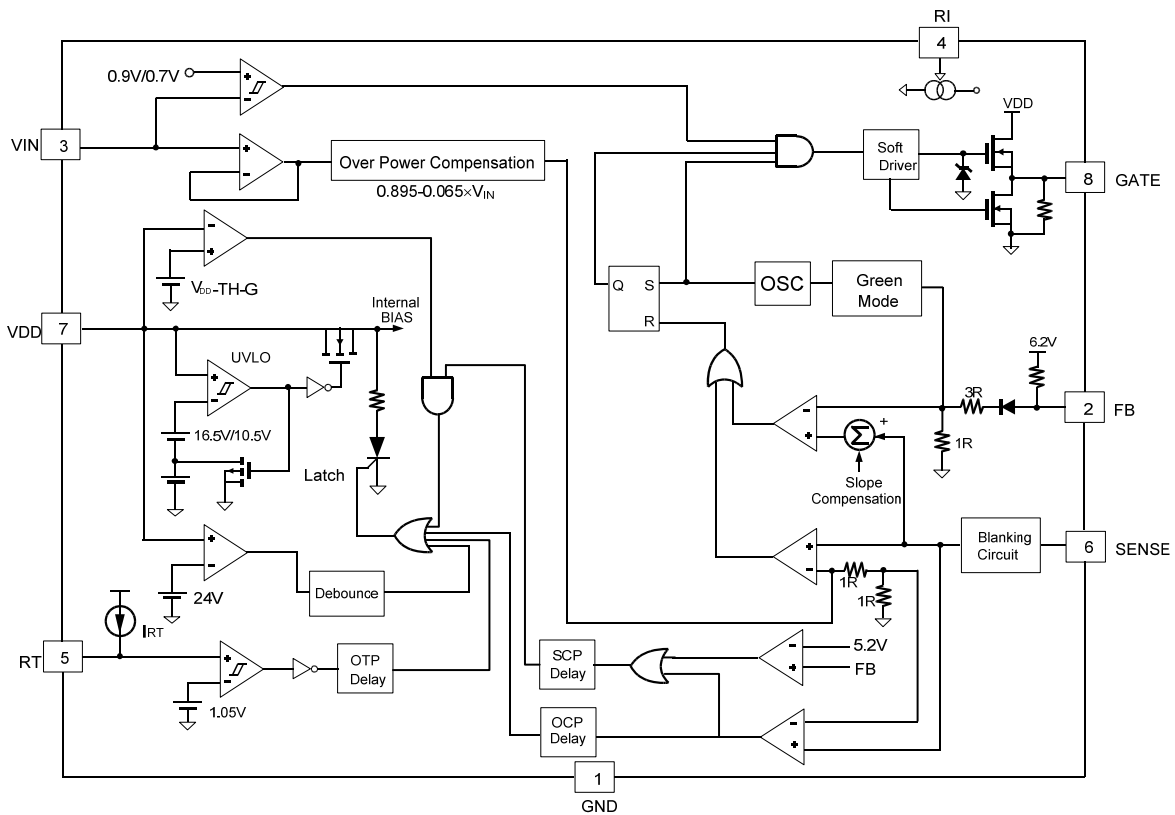
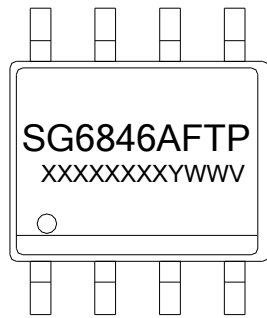


Figure 2. Block Diagram

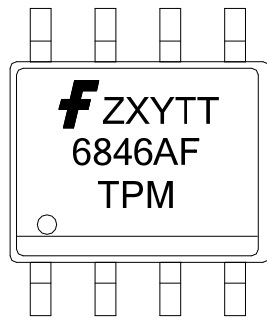
## Marking Information



※ Marking for SG6846ALSZ (Pb-Free)

**F**: L = OCP Latch  
**T**: S = SOP  
**P**: Z = Lead Free + ROHS Compatible  
       Null = regular package  
**XXXXXXXX**: Wafer Lot  
**Y**: Year; **WW**: Week  
**V**: Assembly Location

Figure 3. Top Mark 1



※ Marking for SG6846ALSZ (Green-compound), SG6846ACSY (Green-compound)

**f**: Fairchild logo  
**Z**: Plant Code  
**X**: Year Code  
**Y**: Week Code  
**TT**: Die Run Code  
**F**: L = OCP Latch, C = OCP auto-recovery  
**T**: Package type, S = SOP  
**P**: Y = Green Package  
**M**: Manufacturing flow code

Figure 4. Top Mark 2

## Pin Configuration

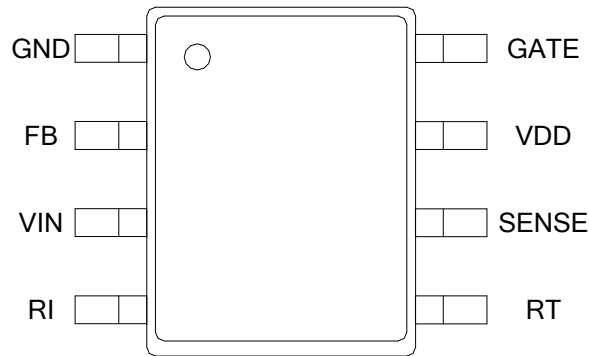


Figure 5. Pin Configuration

## Pin Definitions

Pin #	Name	Function	Description
1	GND	Ground	Ground.
2	FB	Feedback	The signal from the external compensation circuit is fed into this pin. The PWM duty cycle is determined in response to the signal from this pin and the current-sense signal from pin 6.
3	VIN	Line-voltage Detection	Line-voltage detection is used for brownout protection with hysteresis. Constant output power limit over universal AC input range is achieved using this pin. Add a low-pass filter to filter out line ripple on the bulk capacitor.
4	RI	Reference Setting	A resistor from the RI pin to ground generates a reference current source that determines the switching frequency. Increasing the resistance reduces the switching frequency. A 26kΩ resistor results in a 65kHz switching frequency.
5	RT	Temperature Detection	For over-temperature protection, an external NTC thermistor is connected from this pin to the GND pin. The impedance of the NTC decreases at high temperatures. Once the voltage of the RT pin drops below a threshold, PWM output is disabled.
6	SENSE	Current Sense	The sensed voltage is used for peak-current-mode control and cycle-by-cycle current limiting. If the switching current is higher than OCP threshold and lasts for 1700ms, SG6846A turns off immediately. This two-level OCP feature is especially suitable for SMPS with surge current output.
7	VDD	Power Supply	If an open-circuit failure occurs in the feedback loop, the internal protection circuit disables PWM output as long as $V_{DD}$ exceeds a threshold.
8	GATE	Driver Output	The totem-pole output driver for the power MOSFET; internally clamped below 18V.

## Absolute Maximum Ratings

Stresses exceeding the absolute maximum ratings may damage the device. The device may not function or be operable above the recommended operating conditions and stressing the parts to these levels is not recommended. In addition, extended exposure to stresses above the recommended operating conditions may affect device reliability. The absolute maximum ratings are stress ratings only. All voltage values, except differential voltages, are given with respect to GND pin.

Symbol	Parameter	Min.	Max.	Unit
$V_{DD}$	Supply Voltage		25	V
$V_L$	Input Voltage to FB, SENSE, VIN, RT, RI Pins	-0.3	7.0	V
$P_D$	Power Dissipation at $T_A < 50^\circ\text{C}$		400	mW
$\Theta_{JC}$	Thermal Resistance (Junction-to-Case)		54.4	$^\circ\text{C}/\text{W}$
$T_J$	Operating Junction Temperature	-40	+150	$^\circ\text{C}$
$T_{STG}$	Storage Temperature Range	-65	+150	$^\circ\text{C}$
$T_L$	Lead Temperature, Wave Soldering, 10 Seconds		+260	$^\circ\text{C}$
ESD	Human Body Model, JESD22-A114		5.0	kV
	Charge Device Model, JESD22-C101		1.5	

## Recommended Operating Conditions

The Recommended Operating Conditions table defines the conditions for actual device operation. Recommended operating conditions are specified to ensure optimal performance to the datasheet specifications. Fairchild does not recommend exceeding them or designing to Absolute Maximum Ratings.

Symbol	Parameter	Min.	Max.	Unit
$T_A$	Operating Ambient Temperature	-40	+105	$^\circ\text{C}$

## Electrical Characteristics

$V_{DD} = 15V$  and  $T_A = 25^\circ C$  unless otherwise noted.

Symbol	Parameter	Test Condition	Min.	Typ.	Max.	Unit
<b>V<sub>DD</sub> Section</b>						
$V_{DD-OP}$	Continuously Operating Voltage				20	V
$V_{DD-ON}$	Turn-on Threshold Voltage		15.5	16.5	17.5	V
$V_{DD-OFF}$	Turn-off Voltage		9.5	10.5	11.5	V
$V_{DD-SCP}$	Threshold voltage on VDD for Short-Circuit Protection		$V_{DD-OFF} + 0.5V$	$V_{DD-OFF} + 1.0V$	$V_{DD-OFF} + 1.5V$	V
$V_{DD-LH}$	Threshold Voltage for Latch-off Release		3	4	5	V
$I_{DD-ST}$	Startup Current	$V_{DD-ON} - 0.16V$		8	30	$\mu A$
$I_{DD-OP}$	Operating Supply Current	GATE Open		3.7	5.0	mA
$V_{DD-OVP}$	V <sub>DD</sub> Over-Voltage Protection (Latch off)		22.6	23.6	24.6	V
$t_{D-VDDOVP}$	V <sub>DD</sub> OVP Debounce Time	$R_I = 26k\Omega$	60	100	140	$\mu s$
$I_{DD-OVP}$	V <sub>DD</sub> OVP Latch-off Holding Current	$V_{DD} = 5V$	30	50	70	$\mu A$
<b>V<sub>IN</sub> Section</b>						
$V_{IN-OFF}$	PWM Turn-off Threshold Voltage		0.65	0.70	0.75	V
$V_{IN-ON}$	PWM Turn-on Threshold Voltage		$V_{IN-OFF} + 0.18$	$V_{IN-OFF} + 0.20$	$V_{IN-OFF} + 0.22$	V
<b>Feedback Input Section</b>						
$A_V$	Input-Voltage to Current-Sense Attenuation		1/3.5	1/4.0	1/4.5	V/V
$Z_{FB}$	Input Impedance		4.0	5.5	7.0	k $\Omega$
$V_{FBO}$	FB Pin Open Voltage		5.2	6.2	6.6	V
$V_{FB-OLP}$	Threshold Voltage of Open-loop Protection		4.7	5.2	5.7	V
$t_{D-OLP}$	Open-loop Protection Delay Time	$R_I = 26k\Omega$	1600	1700	1800	ms
<b>Current Sense Section</b>						
$Z_{SENSE}$	Input Impedance			12		k $\Omega$
$t_{PD}$	Delay to Output			100	250	ns
$t_{LEB}$	Leading-edge Blanking Time		270	360		ns
$V_{SLOPE}$	Slope Compensation	Duty = $DCY_{MAX}$	0.30	0.33	0.36	V
$V_{STH1V}$	Threshold Voltage for Current Limit	$V_{IN} = 1V$	0.80	0.83	0.86	V
$V_{STH3V}$	Threshold Voltage for Current Limit	$V_{IN} = 3V$	0.67	0.70	0.73	V
$V_{STH1V-2/3}$	OCP Threshold Voltage for Current Limit	$V_{IN} = 1V$	0.58	0.61	0.64	V
$V_{STH3V-2/3}$	OCP Threshold Voltage for Current Limit	$V_{IN} = 3V$	0.48	0.51	0.54	V
$t_{D-OCP}$	Delay Time for Over-Current Protection	$R_I = 26k\Omega$	1600	1700	1800	ms
$t_{D-SCP}$	Delay Time for Output Short-Circuited Protection	$R_I = 26k\Omega$ ; $V_{DD} < V_{DD-SCP}$	90	100	110	ms
$t_{SS-65KHz}$	Period During Startup Time	$R_I = 26k\Omega$	4.5	5.0	5.5	ms
$t_{SS-130KHz}$		$R_I = 13k\Omega$	2.25	2.50	2.75	ms

Continued on following page...



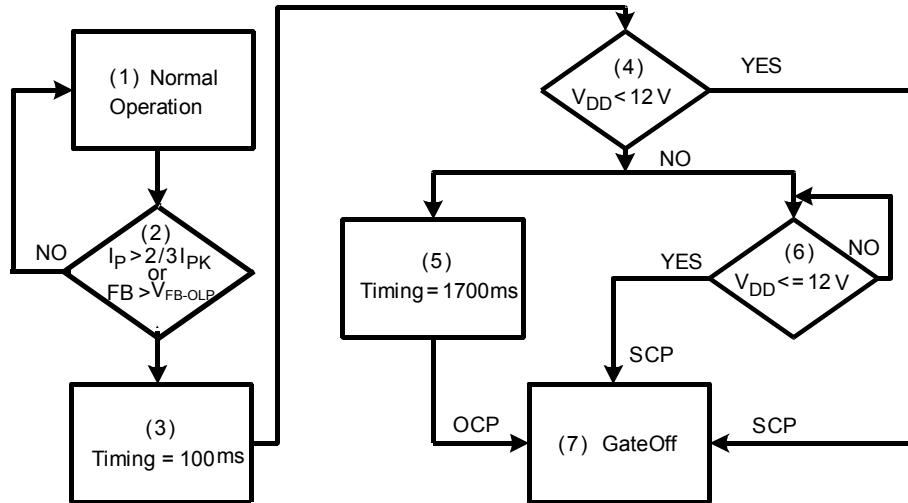


Figure 6. SG6846A OCP/SCP Logic Flow Diagram

**Electrical Characteristics** (Continued)

$V_{DD} = 15V$  and  $T_A = 25^\circ C$  unless otherwise noted.

Symbol	Parameter		Test Condition	Min.	Typ.	Max.	Unit
<b>Oscillator Section</b>							
$f_{OSC}$	Normal PWM Frequency	Center Frequency	$R_I = 26k\Omega, V_{FB} > V_N$	62	65	68	kHz
		Jitter Range		$\pm 3.7$	$\pm 4.2$	$\pm 4.7$	
$f_{OSC,MAX}$	Maximum PWM Frequency	Center Frequency	$R_I = 13k\Omega, V_{FB} > V_N$	124	130	136	kHz
		Jitter Range		$\pm 7.4$	$\pm 8.4$	$\pm 9.4$	
$f_{OSC,MIN}$	Minimum PWM Frequency	Center Frequency	$R_I = 36k\Omega, V_{FB} > V_N$	44.8	47.0	49.2	kHz
		Jitter Range		$\pm 2.54$	$\pm 2.90$	$\pm 3.26$	
$t_{hop-1}$	Jitter Period		$R_I = 26k\Omega, V_{FB} \geq V_N$	3.9	4.4	4.9	ms
$t_{hop-3}$			$R_I = 26k\Omega, V_{FB} = V_G$	10.2	11.5	12.8	
$f_{OSC-G}$	Green-Mode Minimum Frequency		$R_I = 26k\Omega$	18.0	22.5	25.0	kHz
$V_{FB-N}$	FB Pin Frequency Reduction Threshold	Pin, FB voltage	$R_I = 26k\Omega, V_{FB} = V_N$	1.9	2.1	2.3	V
		Jitter Range		3.7	4.2	4.7	KHz
$V_{FB-G}$	FB Voltage at $f_{OSC-G}$	Pin, FB voltage	$R_I = 26k\Omega, V_{FB} = V_G$	1.4	1.6	1.8	V
		Jitter Range		1.27	1.45	1.62	KHz
$S_G$	Slope for Green-Mode Modulation		$R_I = 26k\Omega$		85		Hz/mV
$f_{DV}$	Frequency Variation vs. $V_{DD}$ Deviation		$V_{DD} = 11.5V$ to $20V$			5	%
$f_{DT}$	Frequency Variation vs. Temperature Deviation		$T_A = -30$ to $85^\circ C$		1.5	5.0	%

Continued on following page...

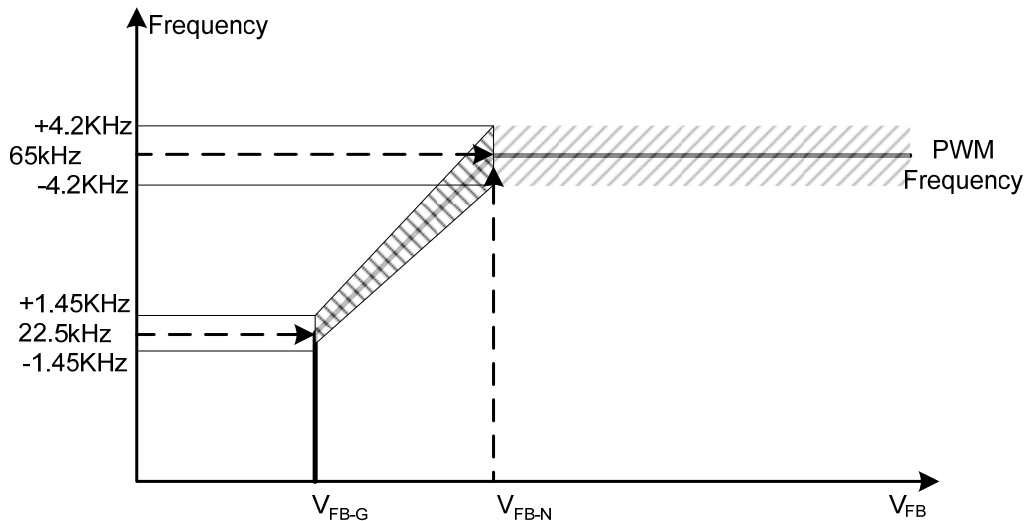


Figure 7. PWM Frequency

**Electrical Characteristics** (Continued)

 $V_{DD} = 15V$  and  $T_A = 25^\circ C$  unless otherwise noted.

Symbol	Parameter	Test Condition	Min.	Typ.	Max.	Unit
<b>PWM Output Section</b>						
$DCY_{MAX}$	Maximum Duty Cycle		80	85	90	%
$V_{OL}$	Output Voltage Low	$V_{DD} = 15V, I_o = 50mA$			1.5	V
$V_{OH}$	Output Voltage High	$V_{DD} = 12V, I_o = 50mA$	8			V
$t_R$	Rising Time	GATE = 1nF		350		ns
$t_F$	Falling Time	GATE = 1nF		50		ns
$V_{CLAMP}$	Gate Output Clamping Voltage	$V_{DD} = 20V$			18	V
<b>Over-Temperature Protection (OTP) Section<sup>(1)</sup></b>						
$I_{RT}$	Output Current of RT Pin	$R_I = 26k\Omega$	64	70	76	$\mu A$
$V_{RTTH}$	Threshold Voltage for OTP		1.015	1.065	1.115	V
$t_{DOTP-LATCH}$	Over-Temperature Latch-off Debounce	$R_I = 26k\Omega$		100		ms
$R_{RT-OFF}$	Equivalent Impedance of RT for OTP <sup>(1)</sup>	$R_I = 26k\Omega$	14	15	16	$k\Omega$
<b><math>R_I</math> Section</b>						
$R_{I-NOR}$	$R_I$ Operating Range		13		36	$k\Omega$
$R_{I-MAX}$	Maximum $R_I$ Value for Protection		10			$M\Omega$
$R_{I-MIN}$	Minimum $R_I$ Value for Protection				6	$k\Omega$

**Note:**

- The relationship between  $R_{RT-OFF}$  and  $R_I$  is:  $R_{RT-OFF} = V_{OTP-LATCH-OFF} / I_{RT} = V_{RT} / (70\mu A \times 26 / R_I (K\Omega))$  (1)

## Typical Performance Characteristics

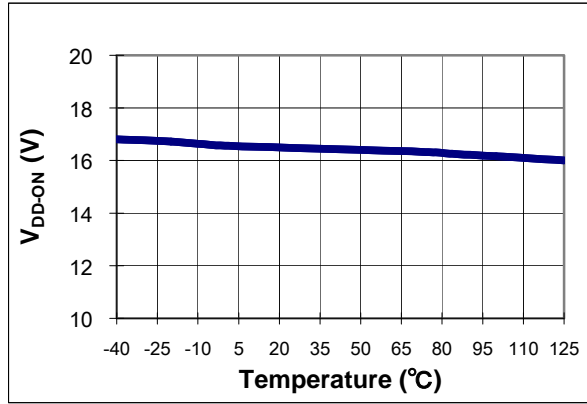


Figure 8. Turn-on Threshold Voltage (V<sub>DD-ON</sub>) vs. Temperature

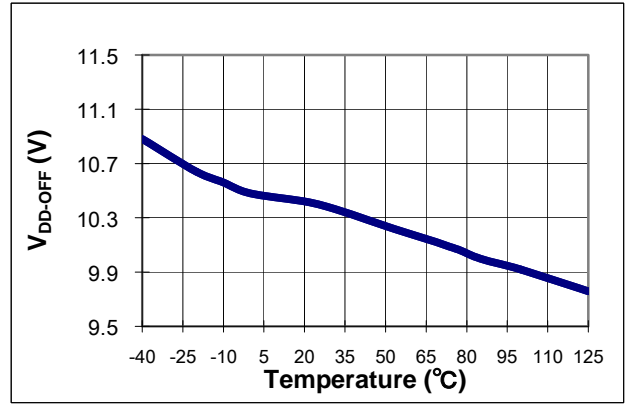


Figure 9. Turn-off Threshold Voltage (V<sub>DD-OFF</sub>) vs. Temperature

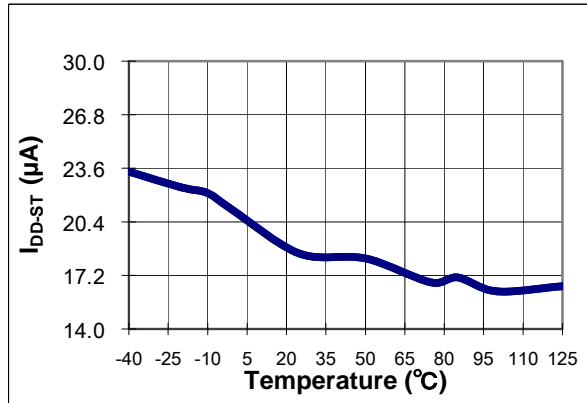


Figure 10. Startup Current (I<sub>DD-ST</sub>) vs. Temperature

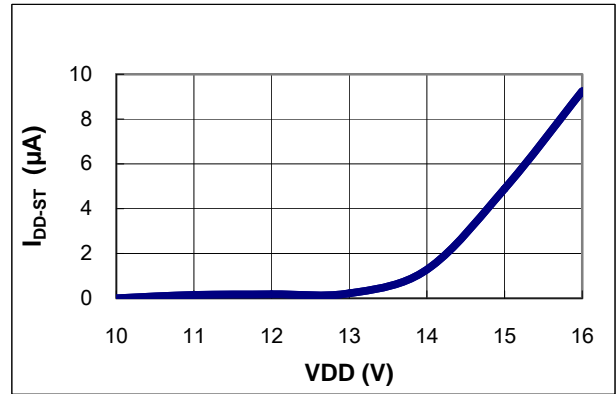


Figure 11. Startup Current vs. V<sub>DD</sub> Voltage

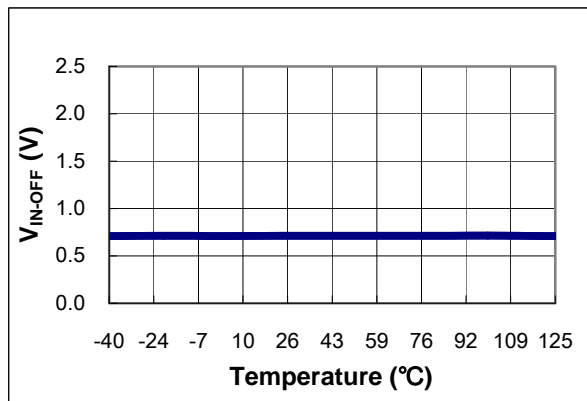


Figure 12. PWM Turn-off Threshold Voltage (V<sub>IN-OFF</sub>) vs. Temperature

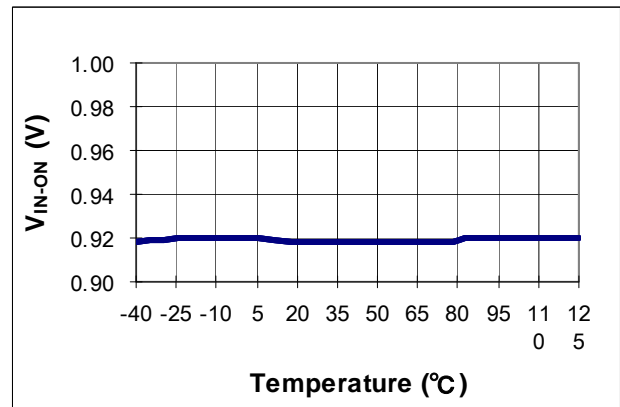
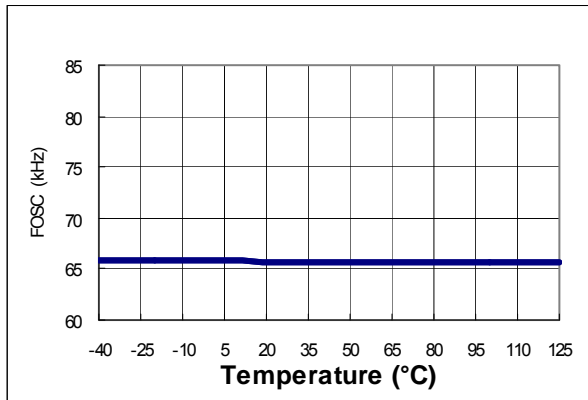
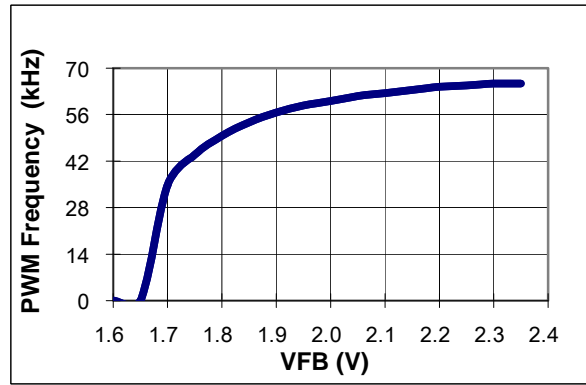


Figure 13. PWM Turn-on Threshold Voltage (V<sub>IN-ON</sub>) vs. Temperature

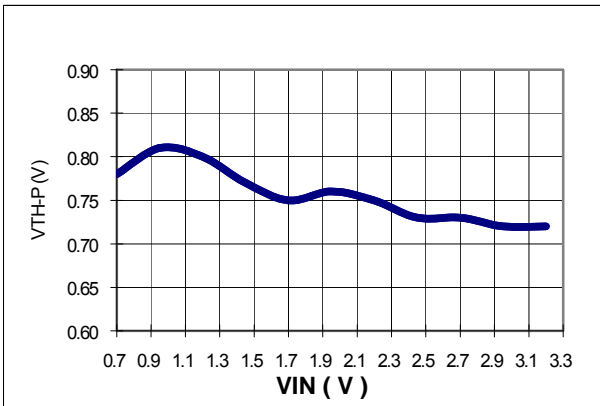
**Typical Performance Characteristics (Continued)**



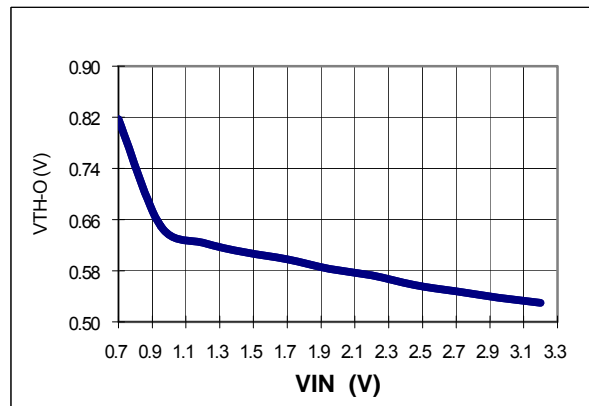
**Figure 14. Normal PWM Frequency (f<sub>osc</sub>) vs. Temperature**



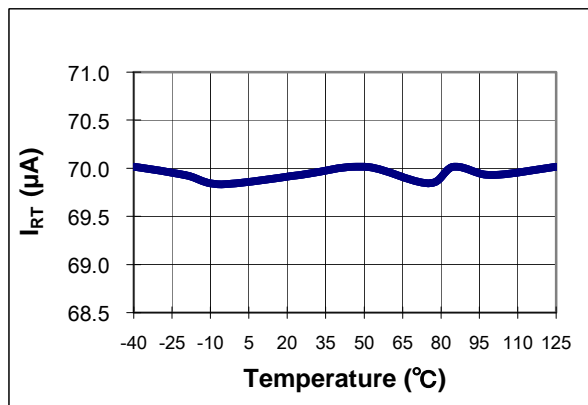
**Figure 15. PWM Frequency vs. FB Voltage**



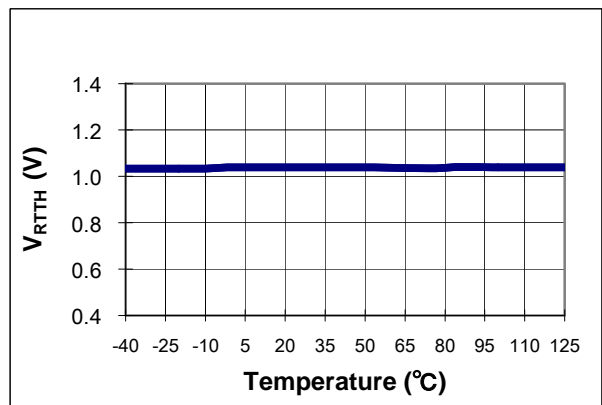
**Figure 16. Current-Limit Threshold vs. V<sub>IN</sub> Voltage**



**Figure 17. 2/3 Current-Limit Threshold vs. V<sub>IN</sub> Voltage**



**Figure 18. Output Current of RT Pin (I<sub>RT</sub>) vs. Temperature**



**Figure 19. FB Output High Voltage (V<sub>RTTH</sub>) vs. Temperature**

## Operation Description

### Startup Operation

The turn-on/turn-off thresholds are fixed internally at 16.5V and 10.5V. To enable the SG6846A during startup, the hold-up capacitor must first be charged to 16.5V through the startup resistor.

The hold-up capacitor continues to supply  $V_{DD}$  before energy can be delivered from the auxiliary winding of the main transformer. The  $V_{DD}$  must not drop below 10.5V during this startup process. This UVLO hysteresis window ensures that the hold-up capacitor can adequately supply  $V_{DD}$  during startup.

The typical startup current is only 8 $\mu$ A, which allows a high-resistance, low-wattage startup resistor to be used. For constant output power limit over a universal input-voltage range, the peak-current threshold is adjusted by the voltage of the  $V_{IN}$  pin. Since the  $V_{IN}$  pin is connected to the rectified AC input line voltage through the resistive divider, a higher line voltage generates a higher  $V_{IN}$  voltage. The threshold voltage decreases as the  $V_{IN}$  increases, making the maximum output power at high line input voltage equal to that at low line input. The value of R-C network should not be so large it affects the power limit (shown in Figure 20). R and C should put on less than 300 $\Omega$  and 1000pF, respectively, to minimize power loss. A 1.5M $\Omega$ /0.25W startup resistor and a 10 $\mu$ F/25V  $V_{DD}$  hold-up capacitor are sufficient for a universal input range.

The required operating current has been reduced to 3.7mA, which enables higher efficiency and reduces the  $V_{DD}$  hold-up capacitance requirement.

### Green-Mode Operation

The proprietary green-mode function provides off-time modulation to continuously decrease the switching frequency under light-load conditions. Maximum on-time is limited to provide protection against abnormal conditions. To further reduce power consumption under zero-load condition, the PWM oscillator is completely turned off and the power supply enters burst-mode. This green mode dramatically reduces power consumption under light-load and zero-load conditions. Power supplies using SG6846A can meet restrictive international regulations regarding standby power consumption.

### Oscillator Operation

A resistor connected from the RI pin to GND generates a reference current source, inside the SG6846A, used to determine the PWM frequency. Increasing the resistance decreases the amplitude of the current source and reduces the PWM frequency. Using a 26k $\Omega$  resistor results in a corresponding 65kHz switching frequency. The relationship between  $R_i$  and the switching frequency is:

$$f_{\text{PWM}}(\text{kHz}) = \frac{1690}{R_i (\text{k}\Omega)} \quad (2)$$

If an open-circuit or short-circuit to ground occurs at the RI pin, the internal protection circuit immediately shuts down the controller.

### Two-level Over-current Protection (OCP)

The cycle-by-cycle current limiting shuts down the PWM immediately when the switching current is over the peak-current threshold. Additionally, when the switching current is higher than the over-current threshold, the internal counter counts down. When the total accumulated counting time is more than ~1600ms ( $R_i = 26\text{k}\Omega$ ), the controller is latched off and the internal counter counts up. When the switching current is lower than the over-current threshold, the internal counter counts down. When the total accumulated counting time is more than ~1600ms ( $R_i = 26\text{k}\Omega$ ), the controller is latched off.

This two-level OCP protection and up/down counter are especially designed for SMPS with surge current output, such as those for printers, scanners, and motor drivers.

### Constant Output Power Limit

For constant output power limit over universal input-voltage range, the peak-current threshold is adjusted by the voltage of the  $V_{IN}$  pin. Since the  $V_{IN}$  pin is connected to the rectified AC input line voltage through the resistive divider, a higher line voltage generates a higher  $V_{IN}$  voltage. The threshold voltage decreases as  $V_{IN}$  increases, making the maximum output power at high-line input voltage equal to that at low-line input.

### Brownout Protection

Since the  $V_{IN}$  pin is connected through a resistive divider to the rectified AC input line voltage, it can also be used for brownout protection. If the  $V_{IN}$  voltage is less than 0.7V, the PWM output is shut off. If the  $V_{IN}$  is over 0.9V, the PWM output is turned on again. The hysteresis window for on/off is ~0.2V.

### $V_{DD}$ Over-voltage Protection (OVP)

$V_{DD}$  over-voltage protection is built in to prevent damage. If  $V_{DD}$  is over 23.6V, SG6846A is latched off.

### Over-Temperature Protection (OTP)

An external NTC thermistor can be connected from the RT pin to GND. The impedance of the NTC decreases at high temperatures. When the voltage of the RT pin drops below 1.05V, the SG6846A is turned off. For protection-mode options, see *Ordering Information*.

## Operation Description (Continued)

### Noise Immunity

Noise from the current sense or the control signal may cause significant pulse-width jitter, particularly in continuous-conduction mode. Slope compensation helps alleviate this problem. Good placement and layout practices should be followed. Avoid long PCB traces and component leads. Compensation and filter components should be located near the SG6846A.

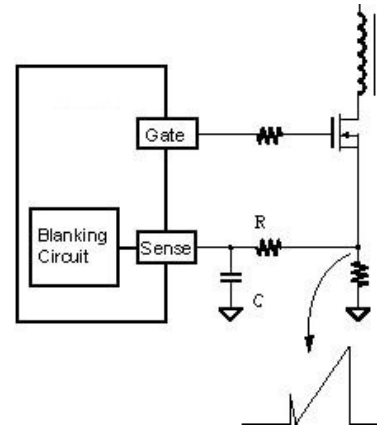


Figure 20. Current Sense R-C Filter

## Reference Circuit

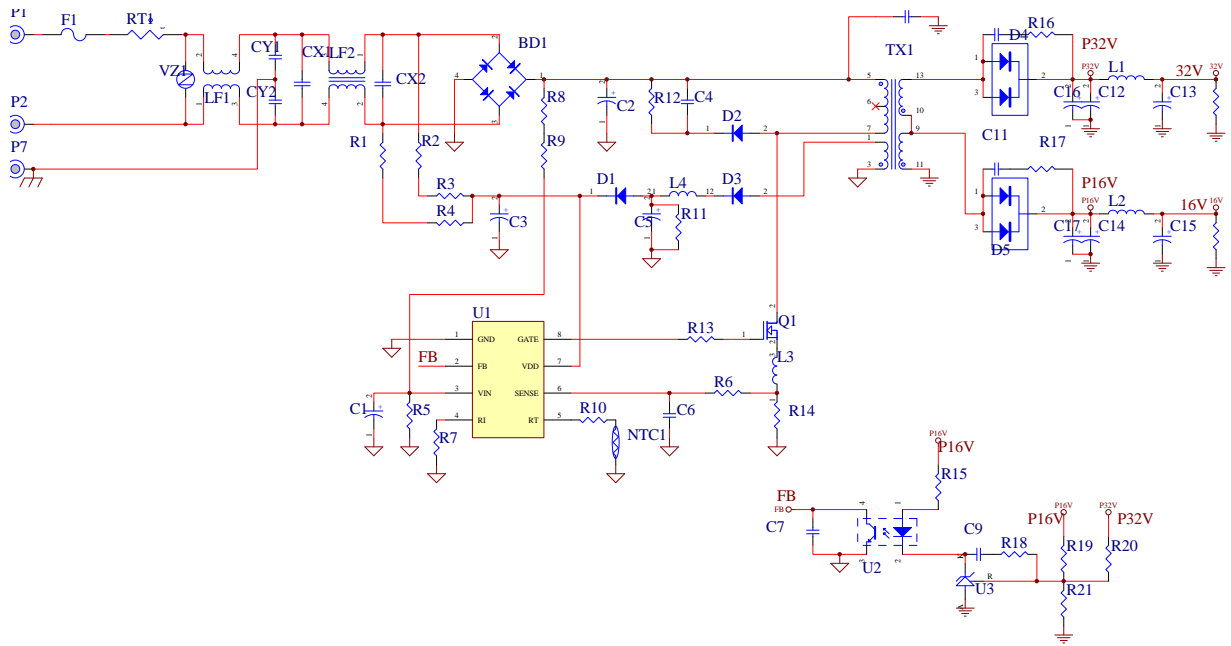
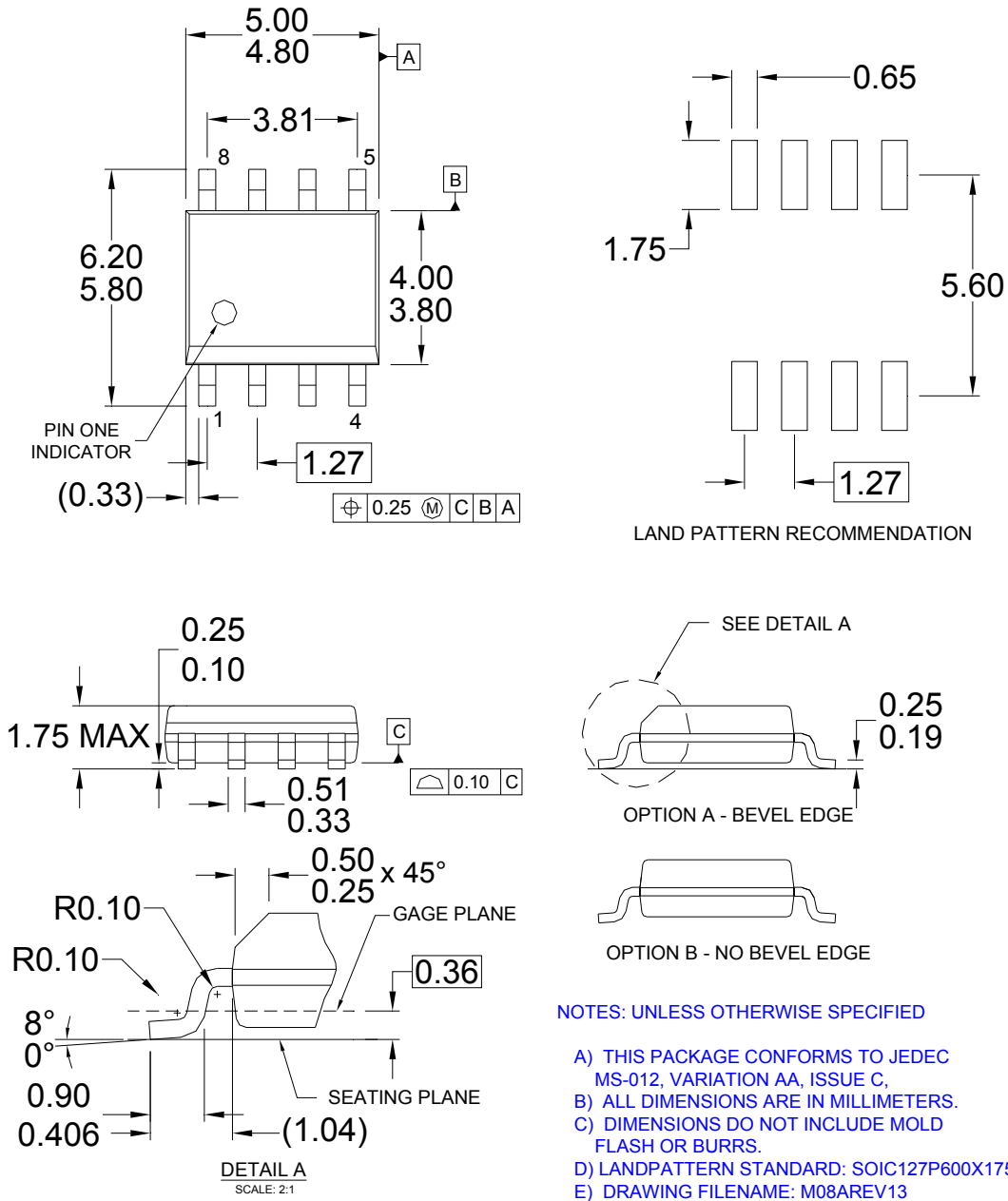


Figure 21. Application Circuit for 32V / 16V Output

## Bill of Materials

Part No.	Value	Part No.	Value	Part No.	Value
R1, R2, R3, R4	470K $\Omega$ $\pm$ 5%	C4	103 P 630V	D3	FR103 1.0A 200V
R8, R9	S1M $\Omega$ $\pm$ 1%	C10,C11	102 P 1KV	BD1	DBL406G
R5	16K2 $\Omega$ $\pm$ 1%	C6,C7	102 P 50V	D4	BYT28-300
R15	1K5 $\Omega$ $\pm$ 5%	C9	222 P 50V	D5	BYV32-150
R13	10 $\Omega$ $\pm$ 5%	C14,C17	470 $\mu$ 25V	F1	250V4A QUICK
R18	4K7 $\Omega$ $\pm$ 5%	C15	220 $\mu$ 25V	L1,L2	1.8 $\mu$ H
R21	15K $\Omega$ $\pm$ 1%	C13,C16	220 $\mu$ 50V	L4	10 $\mu$ H
R7	27K $\Omega$ $\pm$ 5%	C2	150 $\mu$ 400V	U3	TL431 $\pm$ 1%
R6	330 $\Omega$ $\pm$ 1%	C1	4.7 $\mu$ 50V	U1	SG 6846
R19	102K $\Omega$ $\pm$ 1%	C3	10 $\mu$ 50V	U2	PC817
R14	0 $\Omega$ 22 $\pm$ 5%	CX1	X1 0.47 $\mu$ 275V	Q1	7NB60
R16, R17	1W 20 $\Omega$ $\pm$ 5%	C8	Y2 222P 250V	TX1	EI-33
R11	20K $\Omega$ $\pm$ 5%	C5	100 $\mu$ 50V	RT1	SCK053
R12	100K $\Omega$ $\pm$ 5%	CX2	X2 0.1 $\mu$ F 275V	VZ1	14 $\psi$ 470V
R20	887K $\Omega$ $\pm$ 1%	D1	1N4148		
R22	10K $\Omega$ $\pm$ 1%	D2	BYV95C		

### Physical Dimensions



**Figure 22. 8-Pin Small Outline Package (SOP)**

Package drawings are provided as a service to customers considering Fairchild components. Drawings may change in any manner without notice. Please note the revision and/or date on the drawing and contact a Fairchild Semiconductor representative to verify or obtain the most recent revision. Package specifications do not expand the terms of Fairchild's worldwide terms and conditions, specifically the warranty therein, which covers Fairchild products.



ON Semiconductor and  are trademarks of Semiconductor Components Industries, LLC dba ON Semiconductor or its subsidiaries in the United States and/or other countries. ON Semiconductor owns the rights to a number of patents, trademarks, copyrights, trade secrets, and other intellectual property. A listing of ON Semiconductor's product/patent coverage may be accessed at [www.onsemi.com/site/pdf/Patent-Marking.pdf](http://www.onsemi.com/site/pdf/Patent-Marking.pdf). ON Semiconductor reserves the right to make changes without further notice to any products herein. ON Semiconductor makes no warranty, representation or guarantee regarding the suitability of its products for any particular purpose, nor does ON Semiconductor assume any liability arising out of the application or use of any product or circuit, and specifically disclaims any and all liability, including without limitation special, consequential or incidental damages. Buyer is responsible for its products and applications using ON Semiconductor products, including compliance with all laws, regulations and safety requirements or standards, regardless of any support or applications information provided by ON Semiconductor. "Typical" parameters which may be provided in ON Semiconductor data sheets and/or specifications can and do vary in different applications and actual performance may vary over time. All operating parameters, including "Typicals" must be validated for each customer application by customer's technical experts. ON Semiconductor does not convey any license under its patent rights nor the rights of others. ON Semiconductor products are not designed, intended, or authorized for use as a critical component in life support systems or any FDA Class 3 medical devices or medical devices with a same or similar classification in a foreign jurisdiction or any devices intended for implantation in the human body. Should Buyer purchase or use ON Semiconductor products for any such unintended or unauthorized application, Buyer shall indemnify and hold ON Semiconductor and its officers, employees, subsidiaries, affiliates, and distributors harmless against all claims, costs, damages, and expenses, and reasonable attorney fees arising out of, directly or indirectly, any claim of personal injury or death associated with such unintended or unauthorized use, even if such claim alleges that ON Semiconductor was negligent regarding the design or manufacture of the part. ON Semiconductor is an Equal Opportunity/Affirmative Action Employer. This literature is subject to all applicable copyright laws and is not for resale in any manner.

## PUBLICATION ORDERING INFORMATION

### LITERATURE FULFILLMENT:

Email Requests to: [orderlit@onsemi.com](mailto:orderlit@onsemi.com)

ON Semiconductor Website: [www.onsemi.com](http://www.onsemi.com)

### TECHNICAL SUPPORT

North American Technical Support:  
Voice Mail: 1 800-282-9855 Toll Free USA/Canada  
Phone: 011 421 33 790 2910

### Europe, Middle East and Africa Technical Support:

Phone: 00421 33 790 2910

For additional information, please contact your local Sales Representative

