



Is Now Part of



**ON Semiconductor®**

To learn more about ON Semiconductor, please visit our website at  
[www.onsemi.com](http://www.onsemi.com)

ON Semiconductor and the ON Semiconductor logo are trademarks of Semiconductor Components Industries, LLC dba ON Semiconductor or its subsidiaries in the United States and/or other countries. ON Semiconductor owns the rights to a number of patents, trademarks, copyrights, trade secrets, and other intellectual property. A listing of ON Semiconductor's product/patent coverage may be accessed at [www.onsemi.com/site/pdf/Patent-Marking.pdf](http://www.onsemi.com/site/pdf/Patent-Marking.pdf). ON Semiconductor reserves the right to make changes without further notice to any products herein. ON Semiconductor makes no warranty, representation or guarantee regarding the suitability of its products for any particular purpose, nor does ON Semiconductor assume any liability arising out of the application or use of any product or circuit, and specifically disclaims any and all liability, including without limitation special, consequential or incidental damages. Buyer is responsible for its products and applications using ON Semiconductor products, including compliance with all laws, regulations and safety requirements or standards, regardless of any support or applications information provided by ON Semiconductor. "Typical" parameters which may be provided in ON Semiconductor data sheets and/or specifications can and do vary in different applications and actual performance may vary over time. All operating parameters, including "Typicals" must be validated for each customer application by customer's technical experts. ON Semiconductor does not convey any license under its patent rights nor the rights of others. ON Semiconductor products are not designed, intended, or authorized for use as a critical component in life support systems or any FDA Class 3 medical devices or medical devices with a same or similar classification in a foreign jurisdiction or any devices intended for implantation in the human body. Should Buyer purchase or use ON Semiconductor products for any such unintended or unauthorized application, Buyer shall indemnify and hold ON Semiconductor and its officers, employees, subsidiaries, affiliates, and distributors harmless against all claims, costs, damages, and expenses, and reasonable attorney fees arising out of, directly or indirectly, any claim of personal injury or death associated with such unintended or unauthorized use, even if such claim alleges that ON Semiconductor was negligent regarding the design or manufacture of the part. ON Semiconductor is an Equal Opportunity/Affirmative Action Employer. This literature is subject to all applicable copyright laws and is not for resale in any manner.

## MM74C240 • MM74C244

### Inverting • Non-Inverting Octal Buffer and Line Driver with 3-STATE Outputs

#### General Description

The MM74C240 and MM74C244 octal buffers and line drivers are monolithic complementary MOS (CMOS) integrated circuits with 3-STATE outputs. These outputs have been specially designed to drive highly capacitive loads such as bus-oriented systems. These devices have a fan out of 6 low power Schottky loads. A high logic level on the output disable control input G makes the outputs go into the high impedance state.

#### Features

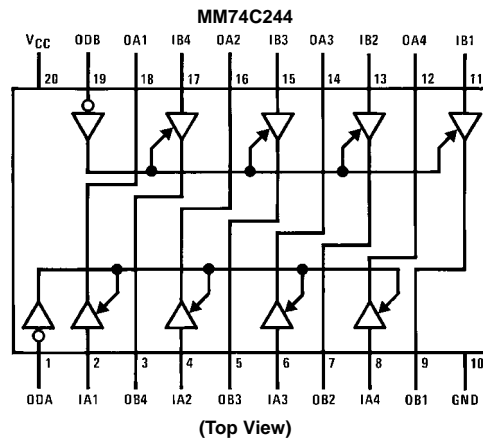
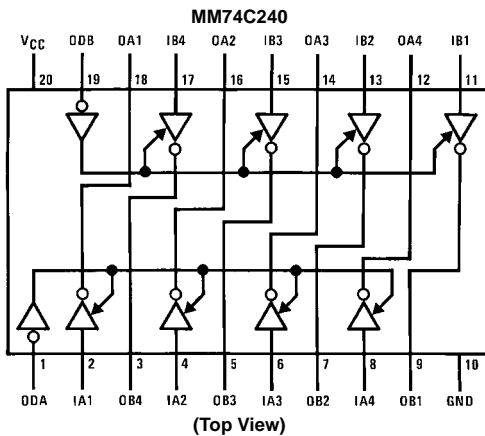
- Wide supply voltage range (3V to 15V)
- High noise immunity (0.45  $V_{CC}$  typ)
- Low power consumption
- High capacitive load drive capability
- 3-STATE outputs
- Input protection
- TTL compatibility
- 20-pin dual-in-line package
- High speed 25 ns (typ.) @ 10V, 50 pF (MM74C244)

#### Ordering Code:

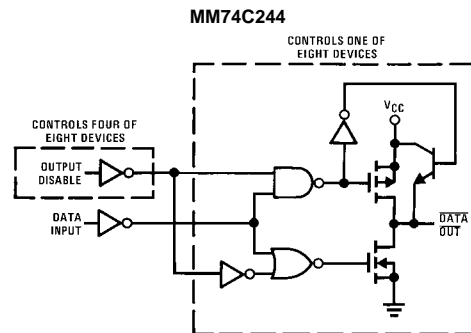
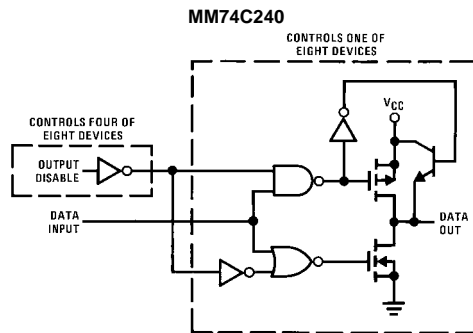
Order Number	Package Number	Package Description
MM74C240WM	M20B	20-Lead Small Outline Integrated Circuit (SOIC), JEDEC MS-013, 0.300" Wide
MM74C240N	N20A	20-Lead Plastic Dual-In-Line Package (PDIP), JEDEC MS-001, 0.300" Wide
MM74C244WM	M20B	20-Lead Small Outline Integrated Circuit (SOIC), JEDEC MS-013, 0.300" Wide
MM74C244N	N20A	20-Lead Plastic Dual-In-Line Package (PDIP), JEDEC MS-001, 0.300" Wide

Devices also available in Tape and Reel. Specify by appending suffix letter "X" to the ordering code.

#### Connection Diagrams



## Logic Diagrams



## Truth Tables

**MM74C240**

ODA	IA	OA
1	X	Z
1	X	Z
0	0	1
0	1	0

ODB	IB	OB
1	X	Z
1	X	Z
0	0	1
0	1	0

1 = HIGH  
0 = LOW

**MM74C244**

ODA	IA	OA
1	X	Z
1	X	Z
0	0	0
0	1	1

ODB	IB	OB
1	X	Z
1	X	Z
0	0	0
0	1	1

X = Don't Care  
Z = 3-STATE

### Absolute Maximum Ratings (Note 1)

Voltage at Any Pin	-0.3V to $V_{CC} + 0.3V$
Operating Temperature Range	-55°C to +125°C
Storage Temperature Range	-65°C to +150°C
Power Dissipation	
Dual-In-Line	700 mW
Small Outline	500 mW
Operating $V_{CC}$ Range	3V to 15V
Absolute Maximum $V_{CC}$	18V
Lead Temperature	
(Soldering, 10 seconds)	260°C

**Note 1:** "Absolute Maximum Ratings" are those values beyond which the safety of the device cannot be guaranteed. Except for "Operating Range" they are not meant to imply that the devices should be operated at these limits. The Electrical Characteristics table provides conditions for actual device operation.

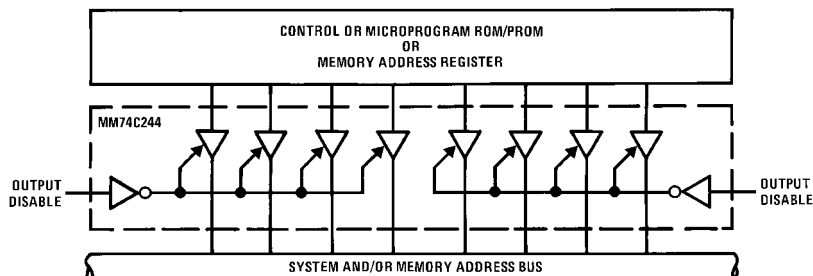
### DC Electrical Characteristics

Min/Max limits apply across temperature range, unless otherwise noted

Symbol	Parameter	Conditions	Min	Typ	Max	Units
<b>CMOS TO CMOS</b>						
$V_{IN(1)}$	Logical "1" Input Voltage	$V_{CC} = 5V$ $V_{CC} = 10V$	3.5 8.0			V
$V_{IN(0)}$	Logical "0" Input Voltage	$V_{CC} = 5V$ $V_{CC} = 10V$			1.5 2.0	V
$V_{OUT(1)}$	Logical "1" Output Voltage	$V_{CC} = 5V, I_O = -10 \mu A$ $V_{CC} = 10V, I_O = -10 \mu A$	4.5 9.0			V
$V_{OUT(0)}$	Logical "0" Output Voltage	$V_{CC} = 5V, I_O = 10 \mu A$ $V_{CC} = 10V, I_O = 10 \mu A$			0.5 1.0	V
$I_{OZ}$	3-STATE Output Current	$V_{CC} = 10V, OD = V_{IH}$			$\pm 10$	$\mu A$
$I_{IN(1)}$	Logical "1" Input Current	$V_{CC} = 15V, V_{IN} = 15V$		0.005	1.0	$\mu A$
$I_{IN(0)}$	Logical "0" Input Current	$V_{CC} = 15V, V_{IN} = 0V$	-1.0	-0.005		$\mu A$
$I_{CC}$	Supply Current	$V_{CC} = 15V$		0.05	300	$\mu A$
<b>CMOS/LPTTL INTERFACE</b>						
$V_{IN(1)}$	Logical "1" Input Voltage	$V_{CC} = 4.75V$		$V_{CC} - 1.5$		V
$V_{IN(0)}$	Logical "0" Input Voltage	$V_{CC} = 4.75V$			0.8	V
$V_{OUT(1)}$	Logical "1" Output Voltage	$V_{CC} = 4.75V, I_O = -450 \mu A$	$V_{CC} - 0.4$			V
		$V_{CC} = 4.75V, I_O = -2.2 mA$	2.4			V
$V_{OUT(0)}$	Logical "0" Output Voltage	$V_{CC} = 4.75V, I_O = 2.2 mA$			0.4	V
<b>OUTPUT DRIVE (See Family Characteristics Data Sheet) (Short Circuit Current)</b>						
$I_{SOURCE}$	Output Source Current (P-Channel)	$V_{CC} = 5V, V_{OUT} = 0V$ $T_A = 25^\circ C$	-14	-30		mA
		$V_{CC} = 10V, V_{OUT} = 0V$ $T_A = 25^\circ C$	-36	-70		mA
$I_{SINK}$	Output Sink Current (N-Channel)	$V_{CC} = 5V, V_{OUT} = V_{CC}$ $T_A = 25^\circ C$	12	20		mA
		$V_{CC} = 10V, V_{OUT} = V_{CC}$ $T_A = 25^\circ C$	48	70		mA

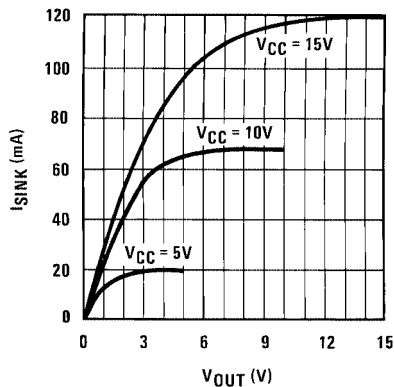
AC Electrical Characteristics (Note 2)						
$T_A = 25^\circ\text{C}$ , $C_L = 50\text{ pF}$ , unless otherwise specified						
Symbol	Parameter	Conditions	Min	Typ	Max	Units
$t_{PD(1)}$ , $t_{PD(0)}$	Propagation Delay (Data In to Out) MM74C240	$V_{CC} = 5\text{V}$ , $C_L = 50\text{ pF}$ $V_{CC} = 10\text{V}$ , $C_L = 50\text{ pF}$ $V_{CC} = 5\text{V}$ , $C_L = 150\text{ pF}$ $V_{CC} = 10\text{V}$ , $C_L = 150\text{ pF}$		60 40 80 60	90 70 110 90	ns
	MM74C244	$V_{CC} = 5\text{V}$ , $C_L = 50\text{ pF}$ $V_{CC} = 10\text{V}$ , $C_L = 50\text{ pF}$ $V_{CC} = 5\text{V}$ , $C_L = 150\text{ pF}$ $V_{CC} = 10\text{V}$ , $C_L = 150\text{ pF}$		45 25 60 40	70 50 90 70	ns
$t_{1H}$ , $t_{0H}$	Propagation Delay Output Disable to High Impedance State (from a Logic Level)	$R_L = 1\text{k}$ , $C_L = 50\text{ pF}$ $V_{CC} = 5\text{V}$ $V_{CC} = 10\text{V}$		45 35	80 60	ns
$t_{H1}$ , $t_{H0}$	Propagation Delay Output Disable to Logic Level (from High Impedance State)	$R_L = 1\text{k}$ , $C_L = 50\text{ pF}$ $V_{CC} = 5\text{V}$ $V_{CC} = 10\text{V}$		50 30	90 60	ns
$t_{T(HL)}$ , $t_{T(LH)}$	Transition Time	$V_{CC} = 5\text{V}$ , $C_L = 50\text{ pF}$ $V_{CC} = 10\text{V}$ , $C_L = 50\text{ pF}$ $V_{CC} = 5\text{V}$ , $C_L = 150\text{ pF}$ $V_{CC} = 10\text{V}$ , $C_L = 150\text{ pF}$		45 30 75 50	80 60 140 100	ns
$C_{PD}$	Power Dissipation Capacitance (Output Enabled per Buffer) MM74C240 MM74C244	(Note 3)		100 100		pF
	(Output Disabled per Buffer) MM74C240 MM74C244			10 0		pF
$C_{IN}$	Input Capacitance (Note 4) (Any Input)	$V_{IN} = 0\text{V}$ , $f = 1\text{ MHz}$ , $T_A = 25^\circ\text{C}$		10		pF
$C_O$	Output Capacitance (Note 4) (Output Disabled)	$V_{IN} = 0\text{V}$ , $f = 1\text{ MHz}$ , $T_A = 25^\circ\text{C}$		10		pF
<p><b>Note 2:</b> AC Parameters are guaranteed by DC correlated testing.</p> <p><b>Note 3:</b> <math>C_{PD}</math> determines the no load AC power consumption of any CMOS device. For complete explanation see Family Characteristics Application Note, AN-90.</p> <p><b>Note 4:</b> Capacitance is guaranteed by periodic testing.</p>						

### Typical Application

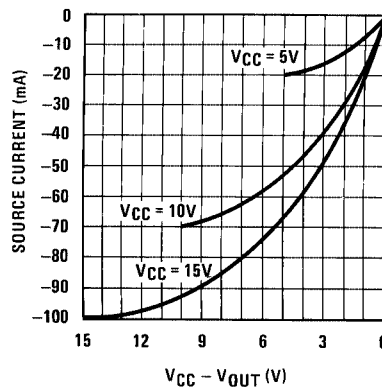


### Typical Performance Characteristics

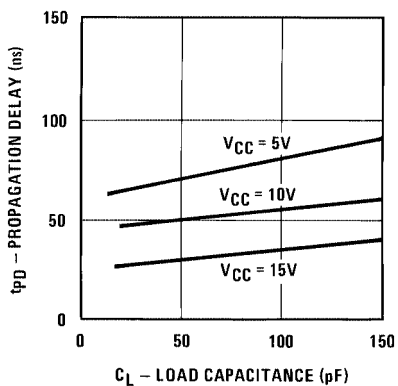
N-Channel Output Drive at 25°C



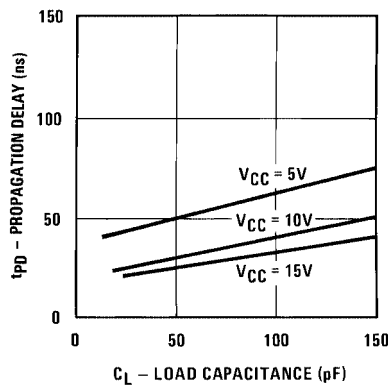
P-Channel Output Drive at 25°C



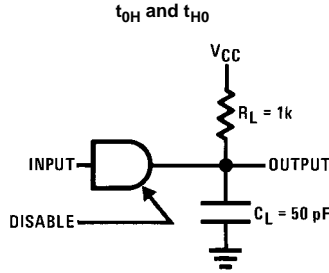
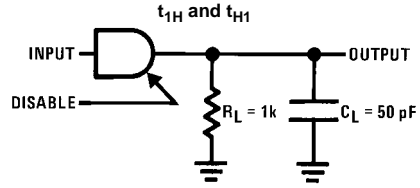
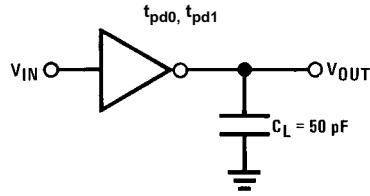
MM74C240  
Propagation Delay vs. Load Capacitance



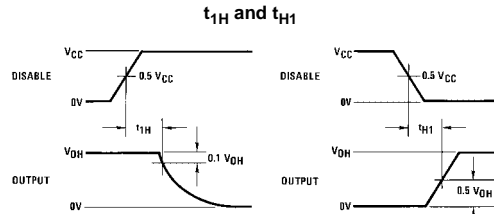
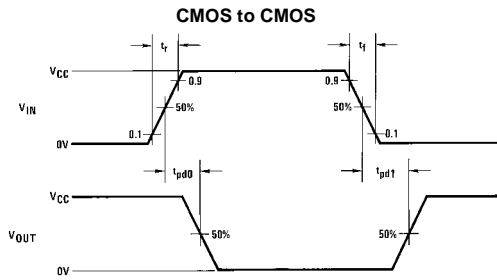
MM74C244  
Propagation Delay vs. Load Capacitance



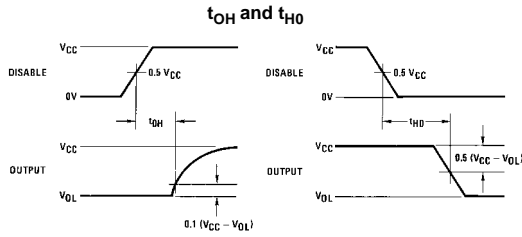
AC Test Circuits and Switching Time Waveforms



Note: Delays measured with input  $t_r, t_f \leq 20$  ns.

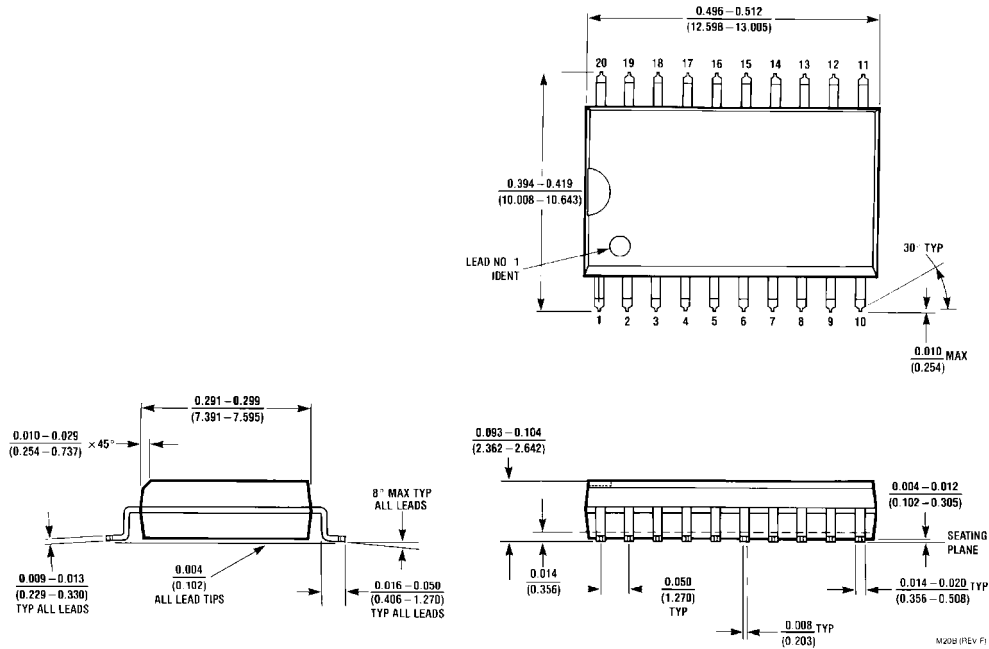


Note:  $V_{OH}$  is defined as the DC output high voltage when the device is loaded with a 1 k $\Omega$  resistor to ground.



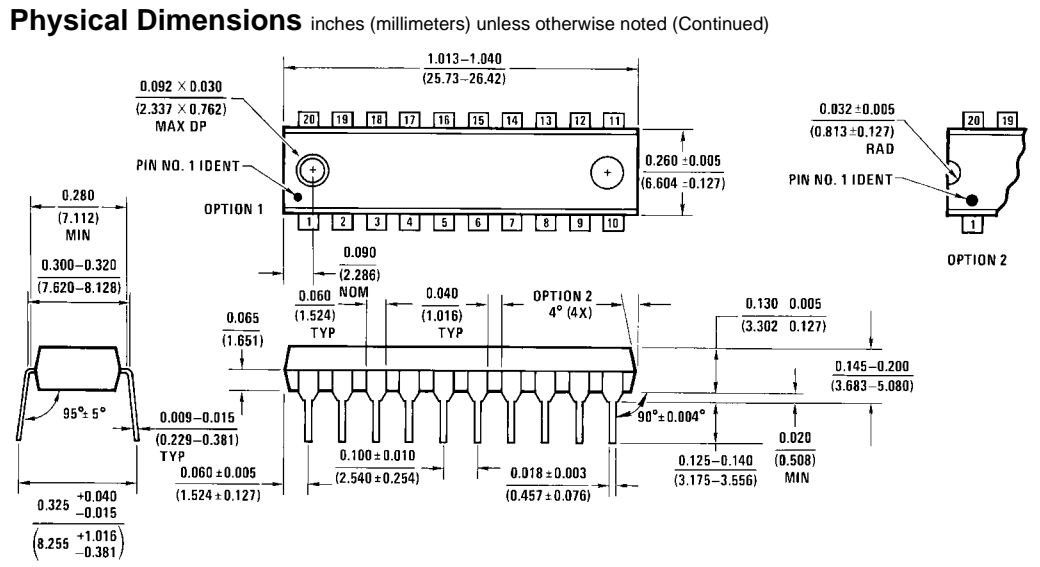
Note:  $V_{OL}$  is defined as the DC output low voltage when the device is loaded with a 1 k $\Omega$  resistor to  $V_{CC}$ .

**Physical Dimensions** inches (millimeters) unless otherwise noted



**20-Lead Small Outline Integrated Circuit (SOIC), JEDEC MS-013, 0.300" Wide  
Package Number M20B**





20-Lead Plastic Dual-In-Line Package (PDIP), JEDEC MS-001, 0.300" Wide  
Package Number N20A

Fairchild does not assume any responsibility for use of any circuitry described, no circuit patent licenses are implied and Fairchild reserves the right at any time without notice to change said circuitry and specifications.

**LIFE SUPPORT POLICY**

FAIRCHILD'S PRODUCTS ARE NOT AUTHORIZED FOR USE AS CRITICAL COMPONENTS IN LIFE SUPPORT DEVICES OR SYSTEMS WITHOUT THE EXPRESS WRITTEN APPROVAL OF THE PRESIDENT OF FAIRCHILD SEMICONDUCTOR CORPORATION. As used herein:

1. Life support devices or systems are devices or systems which, (a) are intended for surgical implant into the body, or (b) support or sustain life, and (c) whose failure to perform when properly used in accordance with instructions for use provided in the labeling, can be reasonably expected to result in a significant injury to the user.
2. A critical component in any component of a life support device or system whose failure to perform can be reasonably expected to cause the failure of the life support device or system, or to affect its safety or effectiveness.

[www.fairchildsemi.com](http://www.fairchildsemi.com)

ON Semiconductor and  are trademarks of Semiconductor Components Industries, LLC dba ON Semiconductor or its subsidiaries in the United States and/or other countries. ON Semiconductor owns the rights to a number of patents, trademarks, copyrights, trade secrets, and other intellectual property. A listing of ON Semiconductor's product/patent coverage may be accessed at [www.onsemi.com/site/pdf/Patent-Marking.pdf](http://www.onsemi.com/site/pdf/Patent-Marking.pdf). ON Semiconductor reserves the right to make changes without further notice to any products herein. ON Semiconductor makes no warranty, representation or guarantee regarding the suitability of its products for any particular purpose, nor does ON Semiconductor assume any liability arising out of the application or use of any product or circuit, and specifically disclaims any and all liability, including without limitation special, consequential or incidental damages. Buyer is responsible for its products and applications using ON Semiconductor products, including compliance with all laws, regulations and safety requirements or standards, regardless of any support or applications information provided by ON Semiconductor. "Typical" parameters which may be provided in ON Semiconductor data sheets and/or specifications can and do vary in different applications and actual performance may vary over time. All operating parameters, including "Typicals" must be validated for each customer application by customer's technical experts. ON Semiconductor does not convey any license under its patent rights nor the rights of others. ON Semiconductor products are not designed, intended, or authorized for use as a critical component in life support systems or any FDA Class 3 medical devices or medical devices with a same or similar classification in a foreign jurisdiction or any devices intended for implantation in the human body. Should Buyer purchase or use ON Semiconductor products for any such unintended or unauthorized application, Buyer shall indemnify and hold ON Semiconductor and its officers, employees, subsidiaries, affiliates, and distributors harmless against all claims, costs, damages, and expenses, and reasonable attorney fees arising out of, directly or indirectly, any claim of personal injury or death associated with such unintended or unauthorized use, even if such claim alleges that ON Semiconductor was negligent regarding the design or manufacture of the part. ON Semiconductor is an Equal Opportunity/Affirmative Action Employer. This literature is subject to all applicable copyright laws and is not for resale in any manner.

## PUBLICATION ORDERING INFORMATION

### LITERATURE FULFILLMENT:

Literature Distribution Center for ON Semiconductor  
19521 E. 32nd Pkwy, Aurora, Colorado 80011 USA  
**Phone:** 303-675-2175 or 800-344-3860 Toll Free USA/Canada  
**Fax:** 303-675-2176 or 800-344-3867 Toll Free USA/Canada  
**Email:** [orderlit@onsemi.com](mailto:orderlit@onsemi.com)

**N. American Technical Support:** 800-282-9855 Toll Free  
USA/Canada  
**Europe, Middle East and Africa Technical Support:**  
Phone: 421 33 790 2910  
**Japan Customer Focus Center**  
Phone: 81-3-5817-1050

**ON Semiconductor Website:** [www.onsemi.com](http://www.onsemi.com)  
**Order Literature:** <http://www.onsemi.com/orderlit>  
For additional information, please contact your local  
Sales Representative