

2.4-2.5 GHz Low-Noise Amplifier

SST12LN01



Data Sheet

FEATURES:

- **Suitable Gain:**
 - Typically 14 dB gain across 2.4–2.5 GHz
- **Low-Noise Figure:**
 - Typically 1.55 dB across 2.4–2.5 GHz
- **IIP3:**
 - >1dBm across 2.4–2.5 GHz
- **Low-Current Consumption**
 - 10-12 mA across 2.4–2.5 GHz
- **50Ω Input/Output Matched**
- **Packages available**
 - 6-contact UQFN – 3 mm x 1.6 mm
- **All non-Pb (lead-free) devices are RoHS compliant**

APPLICATIONS:

- **WLAN**
- **Bluetooth**
- **Wireless Network**

PRODUCT DESCRIPTION

The SST12LN01 is a cost effective Low-Noise Amplifier (LNA) which requires no external RF-matching components. This device is based on the 0.5m GaAs PHEMT technology, and complies with 802.11 b/g applications.

SST12LN01 provides high-performance, low-noise, and moderate-gain operation within the 2.4–2.5 GHz frequency band. Across this frequency band, the LNA typically provides 14 dB gain and 1.55 dB noise figure.

This LNA cell is designed with a self DC-biasing scheme, which maintains low DC current consumption, nominally at 11 mA, during operation. Optimum performance is achieved with only a single power supply, and no external bias resistors or networks are required. The input and output ports are single-ended 50Ω matched. RF ports are also DC isolated requiring no DC blocking capacitors or matching components.

The SST12LN01 is offered in a 6-contact UQFN package. See Figure 2 for pin assignments and Table 1 for pin descriptions.



Data Sheet

FUNCTIONAL BLOCKS

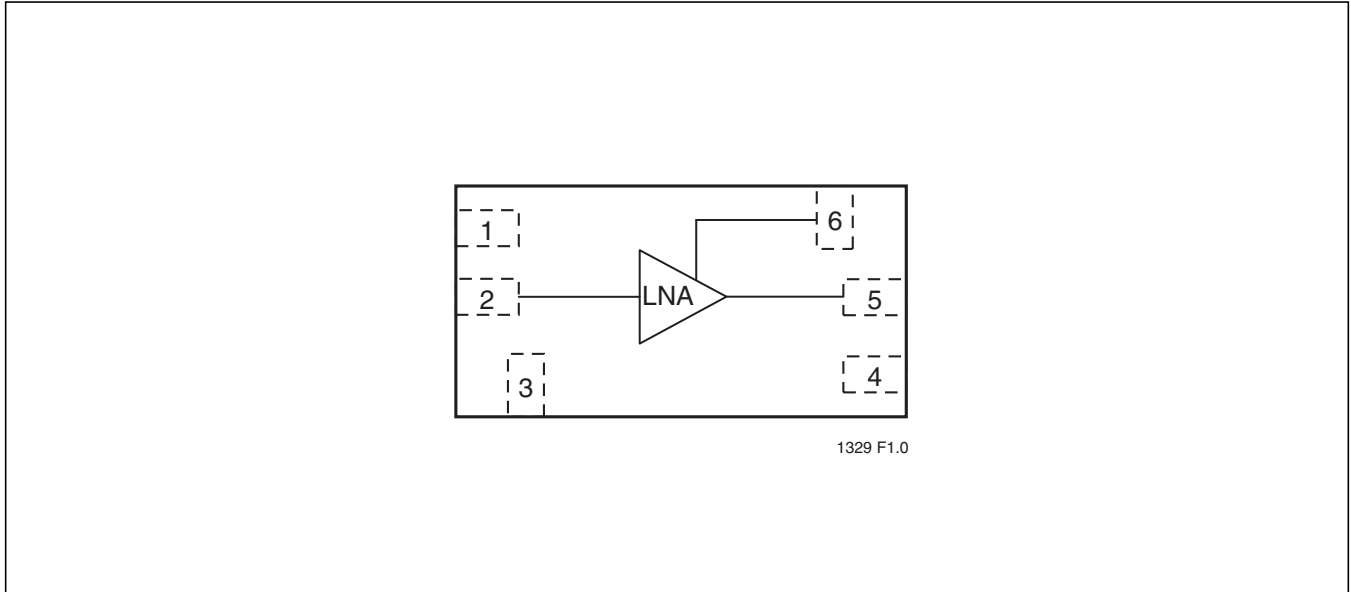


FIGURE 1: Functional Block Diagram

PIN ASSIGNMENTS

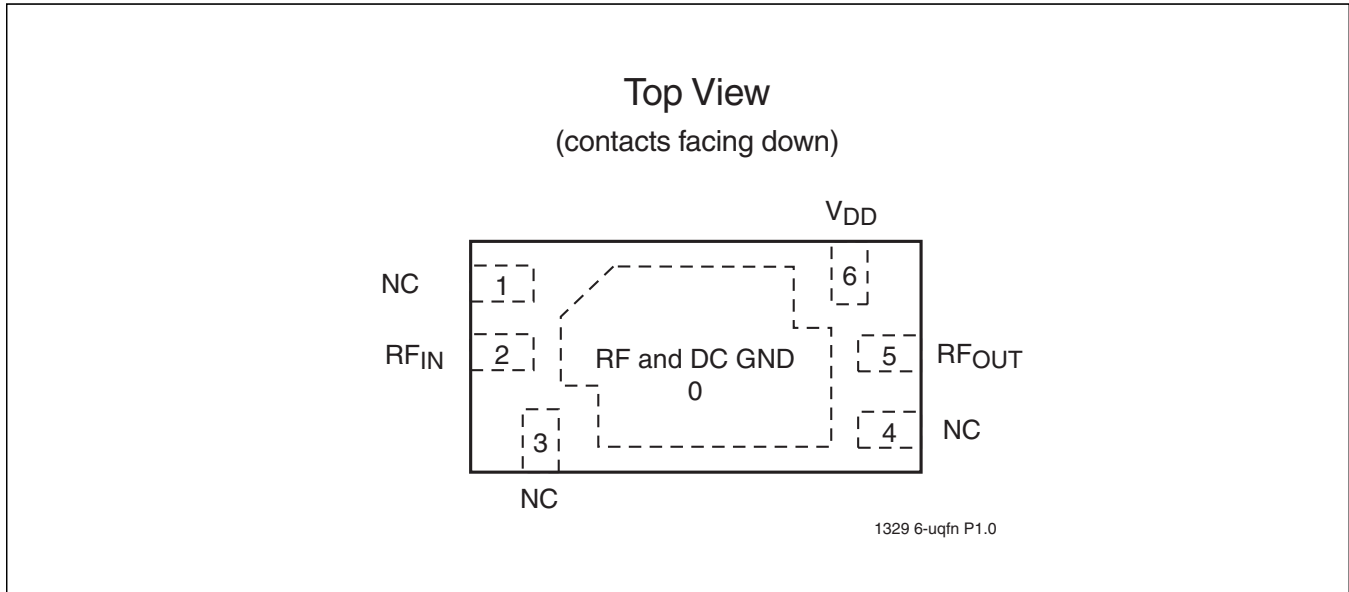


FIGURE 2: Pin Assignments for 16-contact UQFN

PIN DESCRIPTIONS

TABLE 1: Pin Description

Symbol	Pin No.	Pin Name	Type ¹	Function
GND	0	Ground		
NC	1	No Connection		Unconnected pin
RFIN	2		I	2.4G RF input
NC	3	No Connection		Unconnected pin
NC	4	No Connection		Unconnected pin
RFOUT	5		O	2.4G RF output
VDD	6	Power Supply	PWR	

1. I=Input, O=Output

T1.0 1329



Data Sheet

ELECTRICAL SPECIFICATIONS

The AC and DC specifications for the power amplifier interface signals. Refer to Table 2 for the DC voltage and current specifications. Refer to Figure 3 for the RF performance.

Absolute Maximum Stress Ratings (Applied conditions greater than those listed under “Absolute Maximum Stress Ratings” may cause permanent damage to the device. This is a stress rating only and functional operation of the device at these conditions or conditions greater than those defined in the operational sections of this data sheet is not implied. Exposure to absolute maximum stress rating conditions may affect device reliability.)

Input power to pin 2 (P_{IN})	0 Bm
Average output power (P_{OUT}) ¹	9 dBm
Supply Voltage at pin 6 (V_{DD})	-0.3V to +4.6V
DC supply current (I_{CC})	14 mA
Operating Temperature (T_A)	-40°C to +85°C
Storage Temperature (T_{STG})	-40°C to +120°C
Maximum Junction Temperature (T_J)	+150°C
Surface Mount Solder Reflow Temperature	260°C for 10 seconds

1. Never measure with CW source. Pulsed single-tone source with <50% duty cycle is recommended. Exceeding the maximum rating of average output power could cause permanent damage to the device.

Operating Range

Range	Ambient Temp	V _{CC}
Extended	-20 to +80°C	2.9–3.5V

TABLE 2: DC Electrical Characteristics

Symbol	Parameter	Min.	Typ	Max.	Unit
V _{CC}	Supply Voltage at pin 6		3.3		V
I _{CC}	Supply Current 2.4–2.5 GHz		11		mA

T2.0 1329

TABLE 3: AC Electrical Characteristics for Configuration

Symbol	Parameter	Min.	Typ	Max.	Unit
F _{L-U}	Frequency range	2400		2550	MHz
G	Small signal gain, 2.4–2.55 GHz		14		dB
NF	Noise Figure, 2.4–2.55 GHz		1.55		dB
IIP3	2.4–2.55 GHz	1	3		dBm

T3.2 1329

2.4-2.5 GHz Low-Noise Amplifier SST12LN01



Data Sheet

TYPICAL PERFORMANCE CHARACTERISTICS

Test Conditions: $V_{DDL} = 3.0V$, $T_A = 25^\circ C$, unless otherwise specified

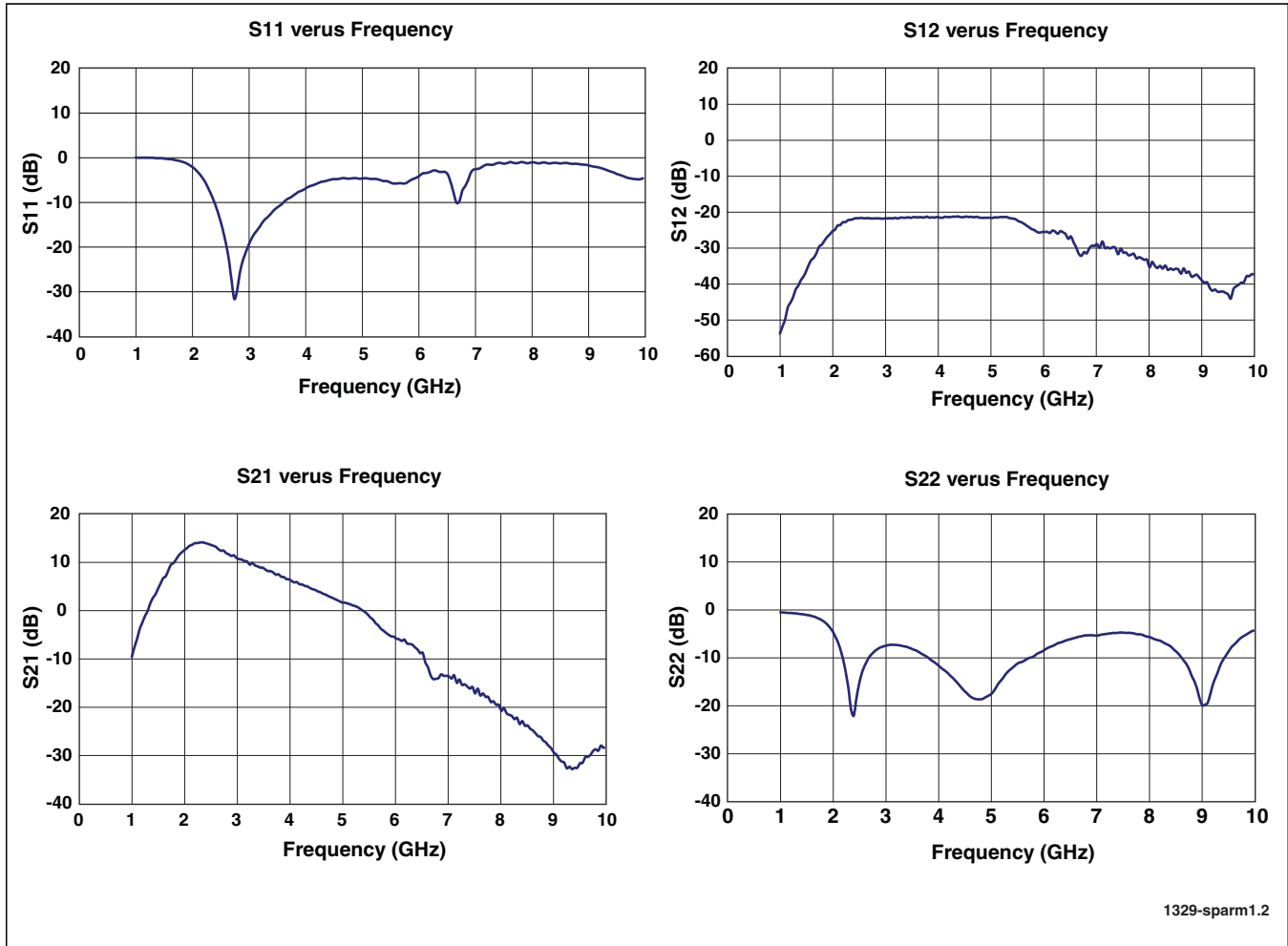


FIGURE 3: S-Parameters

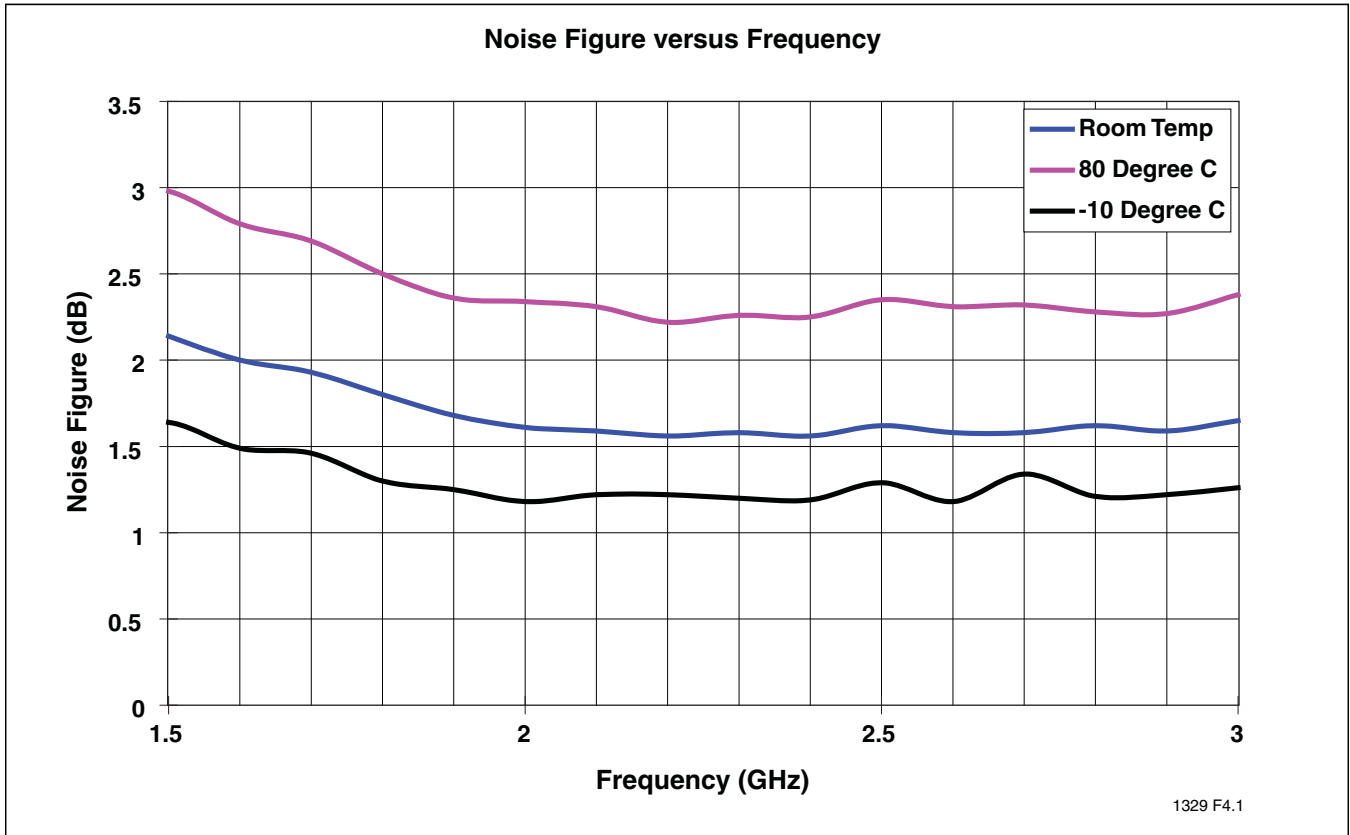


FIGURE 4: Noise Figure versus Frequency

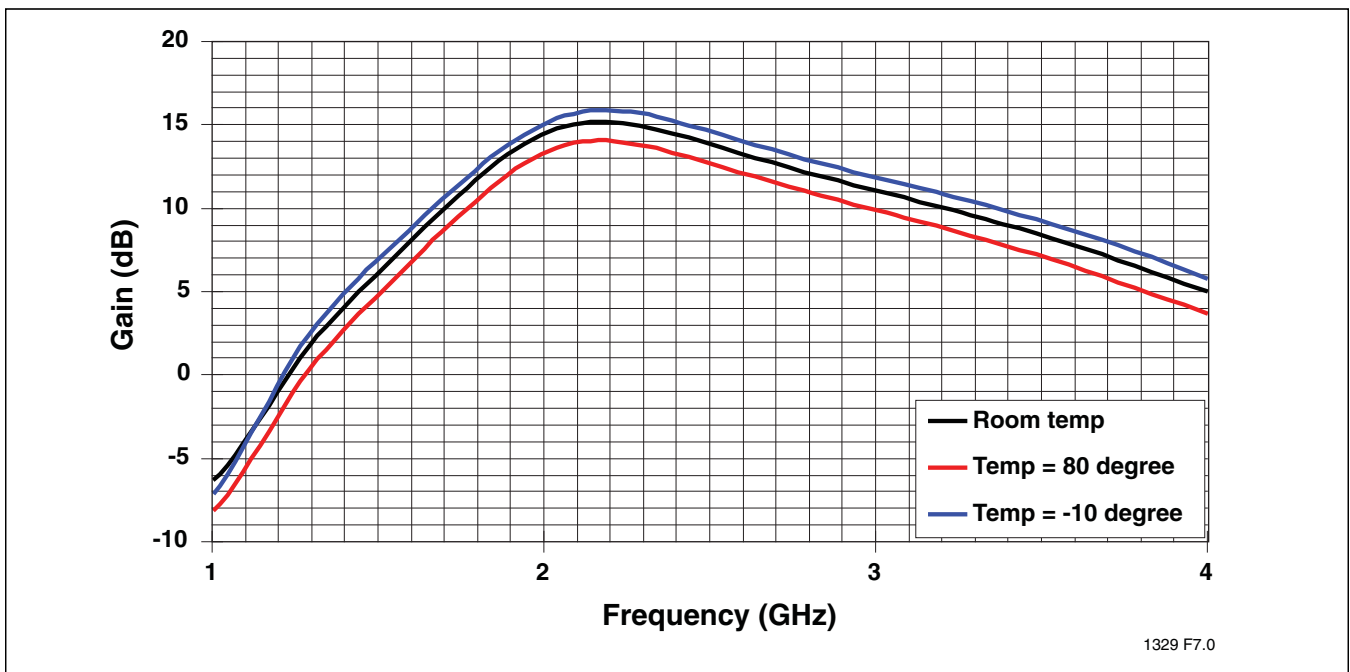


FIGURE 5: Frequency Response of Gain (S21) for three Temperatures

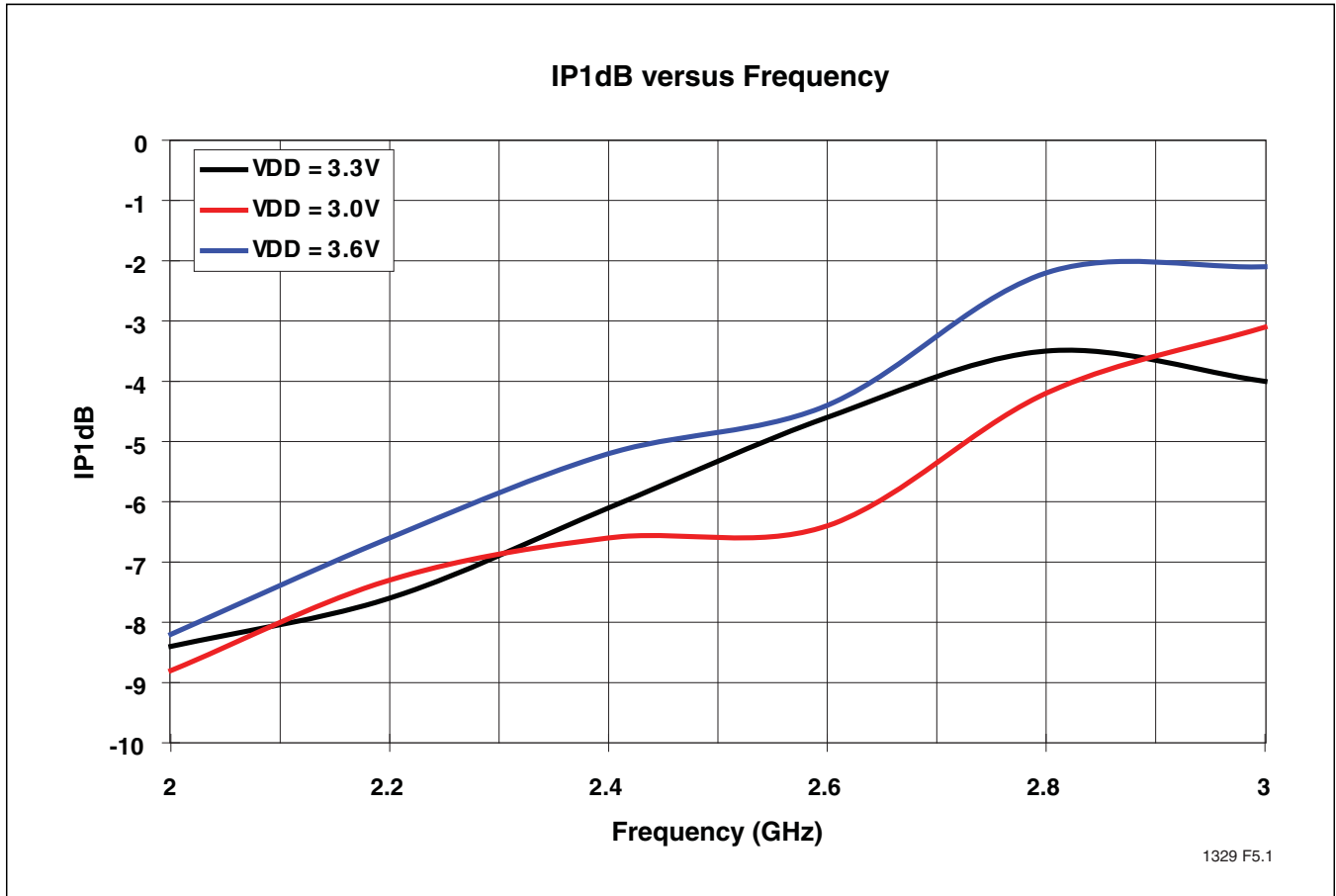


FIGURE 6: Input P1dB versus Frequency

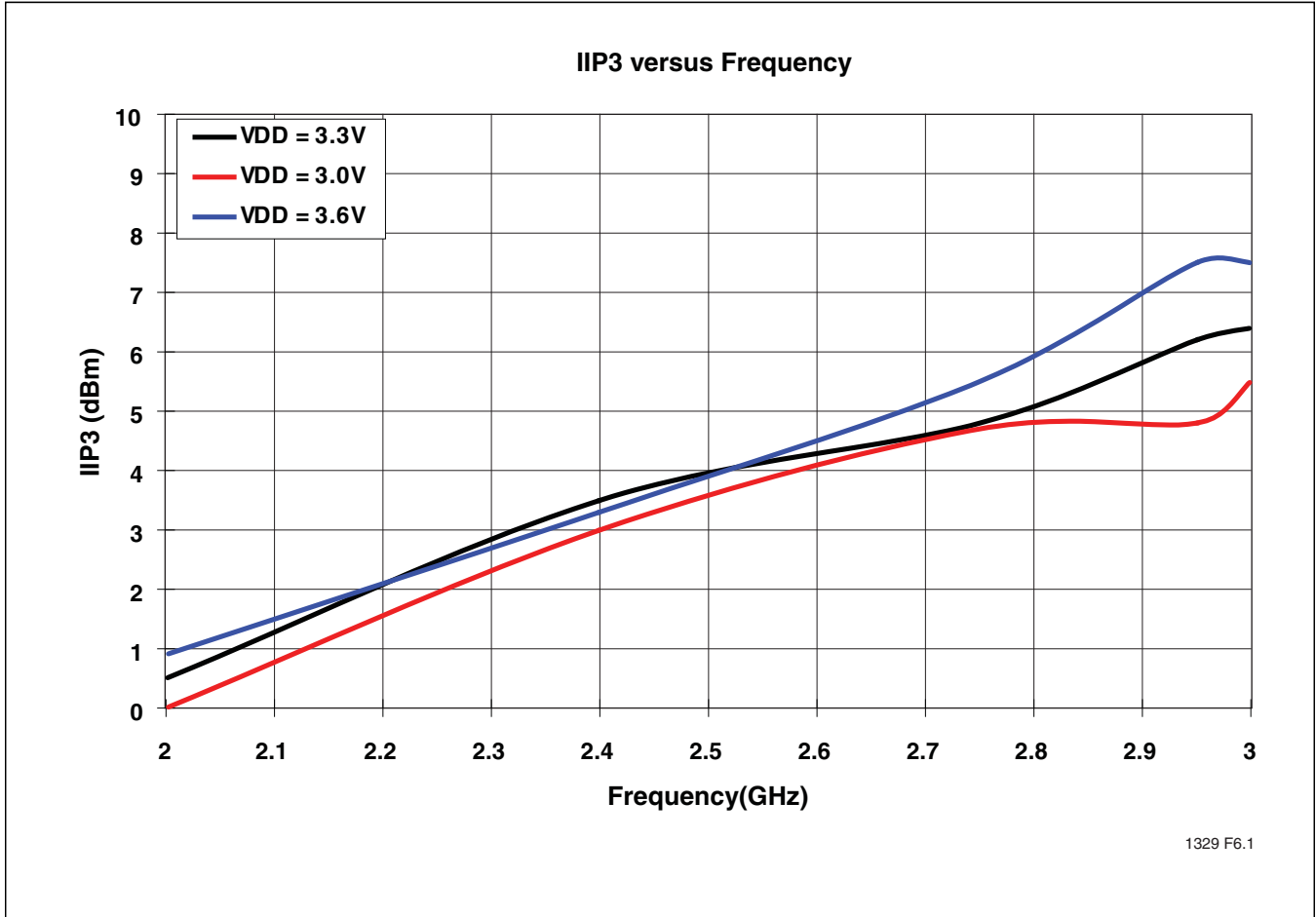


FIGURE 7: Input IP3 versus Frequency

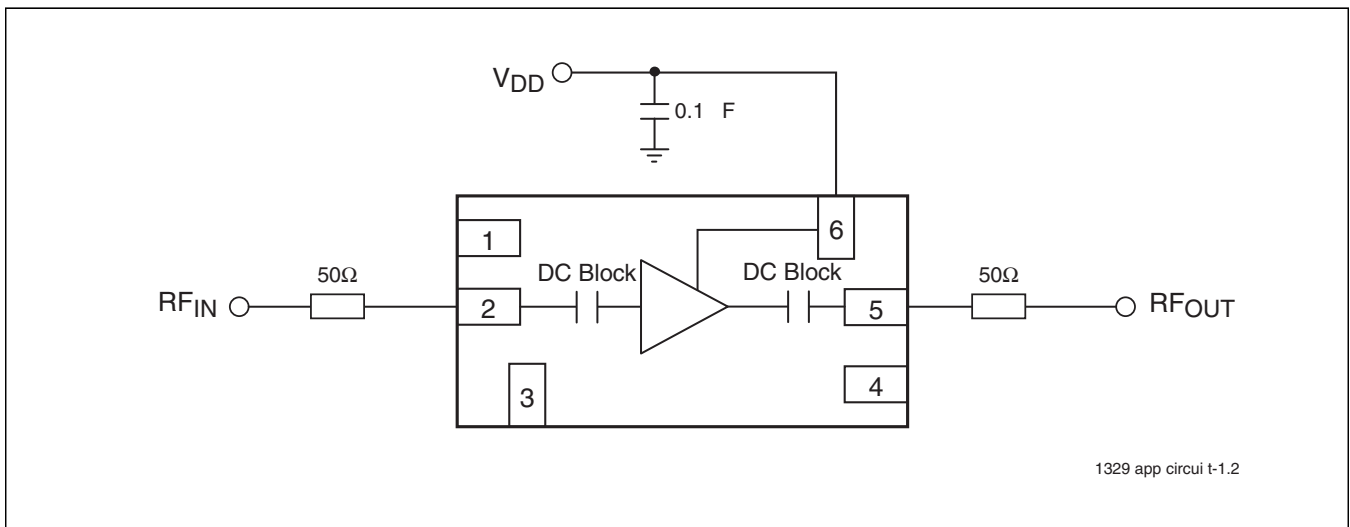
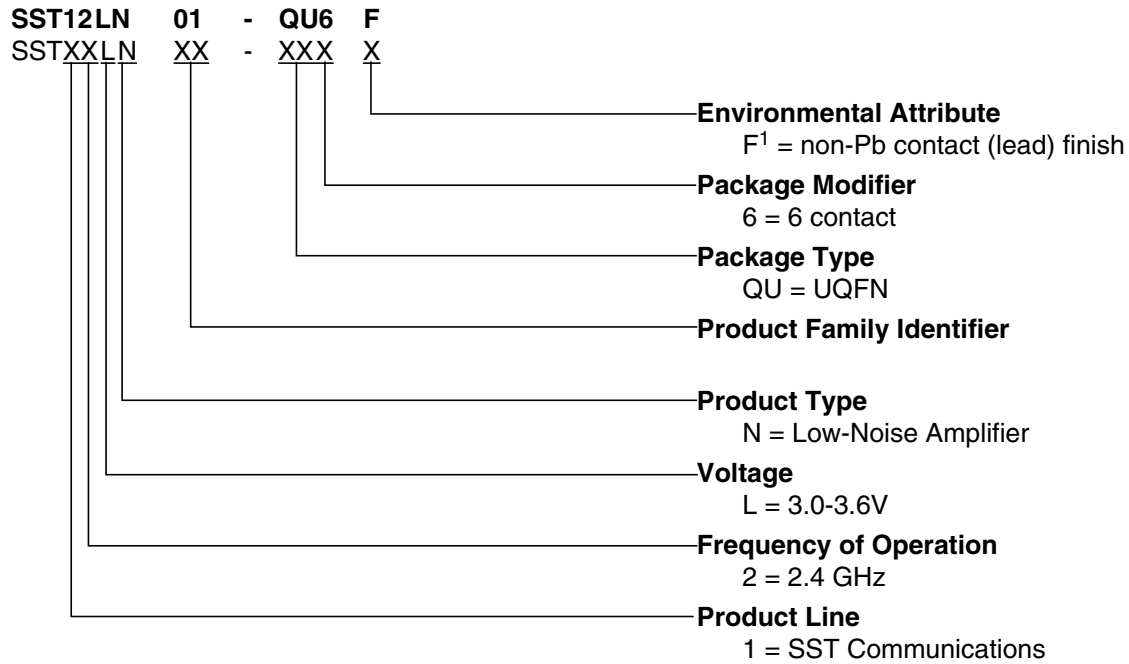


FIGURE 8: Typical Application Circuit



2.4-2.5 GHz Low-Noise Amplifier SST12LN01

PRODUCT ORDERING INFORMATION



1. Environmental suffix "F" denotes non-Pb solder.
SST non-Pb solder devices are "RoHS Compliant".

Valid combinations for SST12LN01

SST12LN01-QU6F

SST12LN01 Evaluation Kits

SST12LN01-QU6F-K

Note: Valid combinations are those products in mass production or will be in mass production. Consult your SST sales representative to confirm availability of valid combinations and to determine availability of new combinations.



Data Sheet

PACKAGING DIAGRAMS

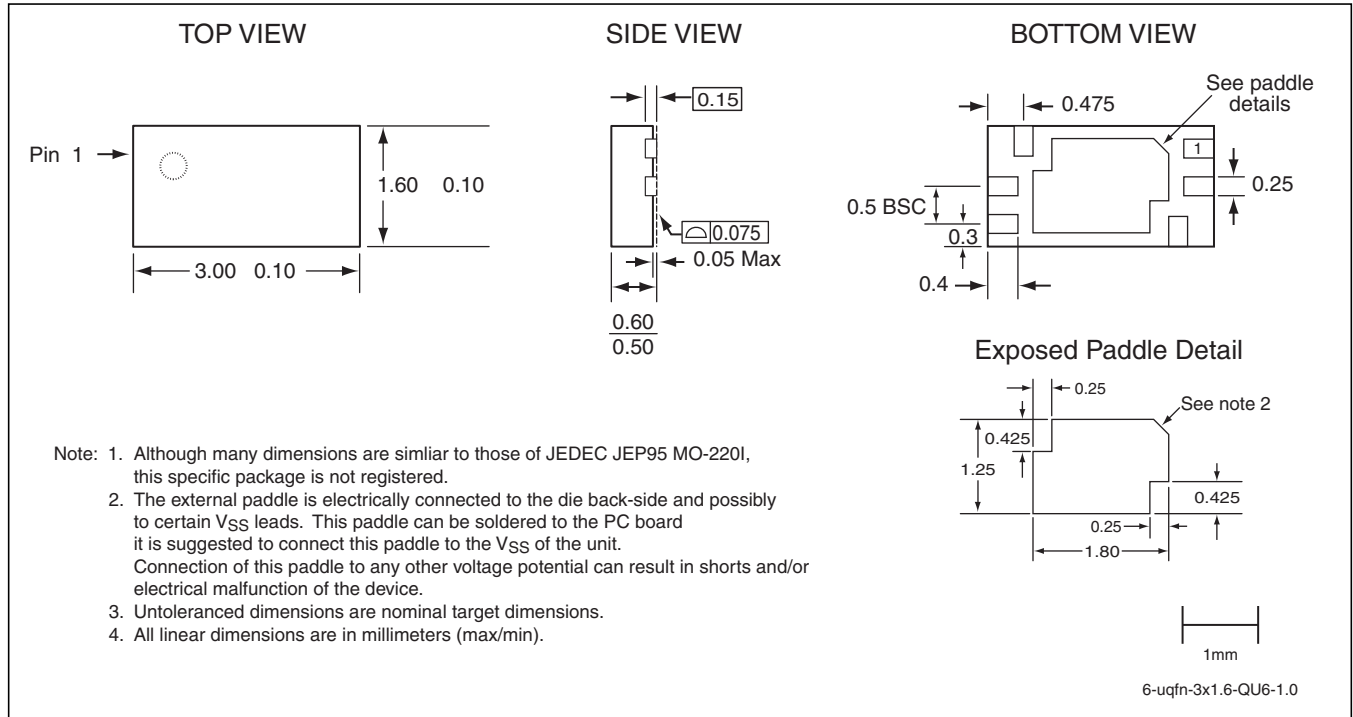


FIGURE 9: 6-contact Ultra-thin Quad Flat No-lead (UQFN)
SST Package Code: QU6

2.4-2.5 GHz Low-Noise Amplifier SST12LN01



Data Sheet

TABLE 4: Revision History

Revision	Description	Date
00	<ul style="list-style-type: none">Initial release of data sheet	Sep 2006
01	<ul style="list-style-type: none">Updated "Features:" on page 1	Sep 2007
02	<ul style="list-style-type: none">Revised Product Description on page 1Change Suitable Gain to 14 dB globallyChanged low-noise figure 1.55 dB globallyChanges low-current consumption to 10-12 mAEdited Table 2, DC Electrical Characteristics and Table 3, AC Electrical Characteristics on pageReplaced Figures 3 through 7, pages 5 through 8Edited Figure 8, page 8Added Figure 5 on page 8	Jun 2008
03	<ul style="list-style-type: none">Updated "" on page 11	Feb 2009
04	<ul style="list-style-type: none">Updated document status from "Preliminary Specifications" to "Data Sheet"	Dec 2009
05	<ul style="list-style-type: none">Revised IIPE values in Features on page 1 and Table 3 on page 4Changed definition of "F" environmental attribute in "Product Ordering Information" on page 9	Nov 2010

Silicon Storage Technology, Inc
www.SuperFlash.com or www.sst.com
