

VSC7431

28-Port Layer 2/Layer 3 Managed Ethernet Switch

Microsemi's next-generation switch engine delivers a multilayer, scalable Enterprise Ethernet solution.

The VSC7431 E-StaX-III-28 Enterprise Ethernet switch contains twenty-four 10/100/1000 Mbps Ethernet ports and two 12G interconnect ports that can be configured to provide 28 ports (24× 1G and 4× 1G). Two VSC7431 devices can support up to a fifty-six 10/100/1000 Mbps configuration using the 2× 12 Gbps interconnect ports.

VSC7431 provides a rich set of Enterprise Ethernet switching features. Using multistage Versatile TCAM technology (VCAP), it delivers VLAN and QoS processing, enabling the delivery of differentiated services, security through intelligent frame processing, and egress frame manipulation.

A powerful 416 MHz CPU in the VSC7431 device enables full management of a standalone switch without the need for an external CPU.

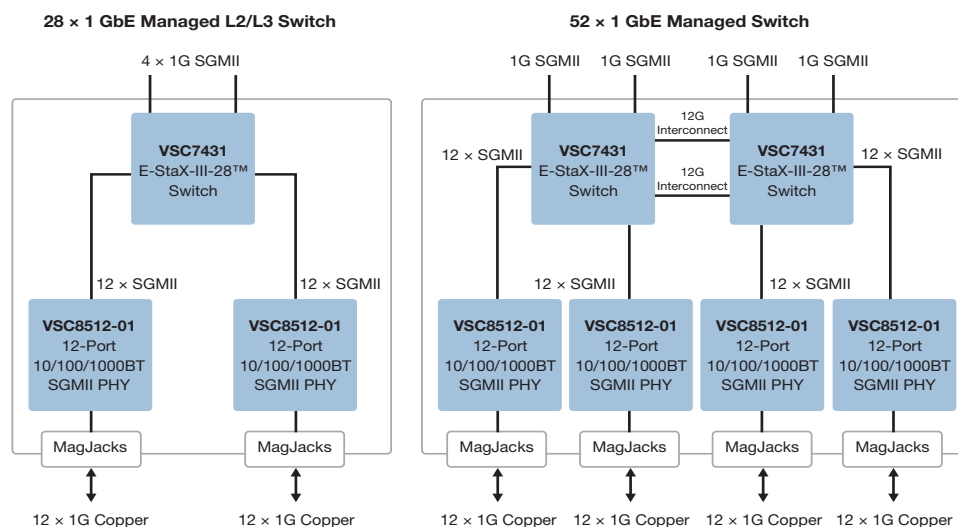
A comprehensive application programming interface (API) and software development package is available for managed Ethernet applications for faster time-to-market. The software API package integrates easily with third-party software, preserving existing software investments.

Highlights

- 28 SGMII/SerDes ports support direct optical connectivity for 1G/1000 Mbps operation
- 2× 12G interconnect ports support dual-chip 56-port solution
- Layer 3 unicast/multicast routing
- New shared buffer memory architecture

Applications

- Fully managed L2/L3 switch



Microsemi makes no warranty, representation, or guarantee regarding the information contained herein or the suitability of its products and services for any particular purpose, nor does Microsemi assume any liability whatsoever arising out of the application or use of any product or circuit. The products sold hereunder and any other products sold by Microsemi have been subject to limited testing and should not be used in conjunction with mission-critical equipment or applications. Any performance specifications are believed to be reliable but are not verified, and Buyer must conduct and complete all performance and other testing of the products, alone and together with, or installed in, any end-products. Buyer shall not rely on any data and performance specifications or parameters provided by Microsemi. It is the Buyer's responsibility to independently determine suitability of any products and to test and verify the same. The information provided by Microsemi hereunder is provided "as is, where is" and with all faults, and the entire risk associated with such information is entirely with the Buyer. Microsemi does not grant, explicitly or implicitly, to any party any patent rights, licenses, or any other IP rights, whether with regard to such information itself or anything described by such information. Information provided in this document is proprietary to Microsemi, and Microsemi reserves the right to make any changes to the information in this document or to any products and services at any time without notice.

VSC7431

28-Port Layer 2/Layer 3 Managed Ethernet Switch

Features

- 28× 1 GbE or dual-chip 56× 1 GbE ports with SGMII, 1000BASE-X, 100BASE-FX, or SerDes
- Internal shared memory buffer (8 queues per port)
- Jumbo frame support
- Strict priority and DWRR scheduler/shaper
- Integrated 416 MHz MIPS CPU
- 27 mm × 27 mm FCBGA

Layer 2 Switching and Layer 3 Forwarding

- 802.1Q VLAN switch with 16K MACs and 4K VLANs
- Push, pop, and translate ingress/egress
- Policing with storm control and MC/BC protection
- RSTP and MSTP support
- Independent and shared VLAN learning (IVL, SVL)
- Hardware and software-based learning
- TCAM-based classification and VCAP-II security
- Layer 3 unicast and multicast routing

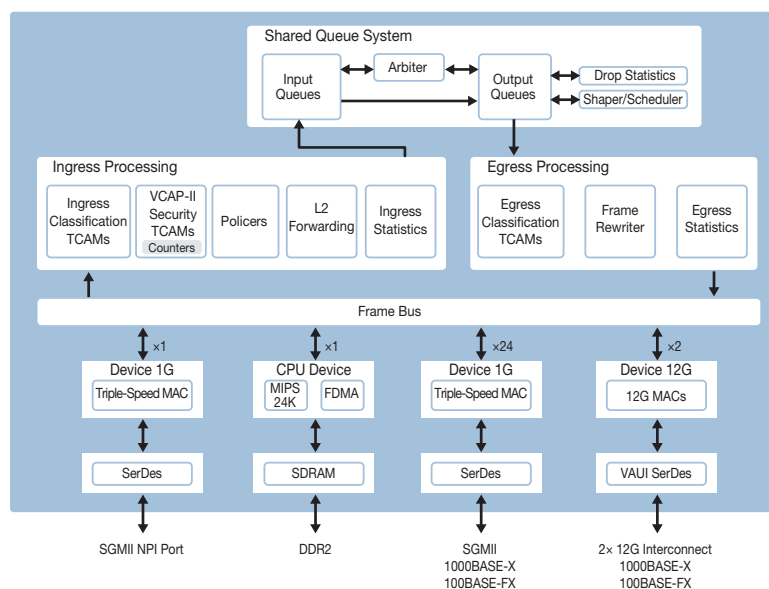
Multicast

- Layer 2
- IPv4 and IPv6
- IGMP and MLD

Related Products

Visit www.microsemi.com for information about these related products:

- SparX-III and E-StaX-III Gigabit Ethernet switches with integrated copper PHYs
- VSC8512-01 12-port copper PHY



Microsemi

Microsemi Corporate Headquarters
 One Enterprise, Aliso Viejo, CA 92656 USA
 Within the USA: +1 (800) 713-4113
 Outside the USA: +1 (949) 380-6100
 Sales: +1 (949) 380-6136
 Fax: +1 (949) 215-4996
 email: sales.support@microsemi.com
www.microsemi.com

Microsemi Corporation (Nasdaq: MSCC) offers a comprehensive portfolio of semiconductor and system solutions for communications, defense and security, aerospace, and industrial markets. Products include high-performance and radiation-hardened analog mixed-signal integrated circuits, FPGAs, SoCs, and ASICs; power management products; timing and synchronization devices and precise time solutions; voice processing devices; RF solutions; discrete components; enterprise storage and communications solutions, security technologies, and scalable anti-tamper products; Ethernet solutions; Power-over-Ethernet ICs and midspans; custom design capabilities and services. Microsemi is headquartered in Aliso Viejo, California, and has approximately 4,800 employees worldwide. Learn more at www.microsemi.com.