

INCH-POUND  
MIL-PRF-83536/10D  
03 February 2015  
SUPERSEDING  
MIL-PRF-83536/10C  
08 January 2009

PERFORMANCE SPECIFICATION SHEET

RELAYS, ELECTROMAGNETIC, ESTABLISHED RELIABILITY, DPDT,  
LOW LEVEL TO 10 AMPERES, PERMANENT MAGNET DRIVE, HERMETICALLY SEALED,  
ALL WELDED, TRANSIENT SUPPRESSED DC COILS

This specification is approved for use by all Departments  
and Agencies of the Department of Defense.

The requirements for acquiring the product described herein  
shall consist of this specification sheet and [MIL-PRF-83536](#).

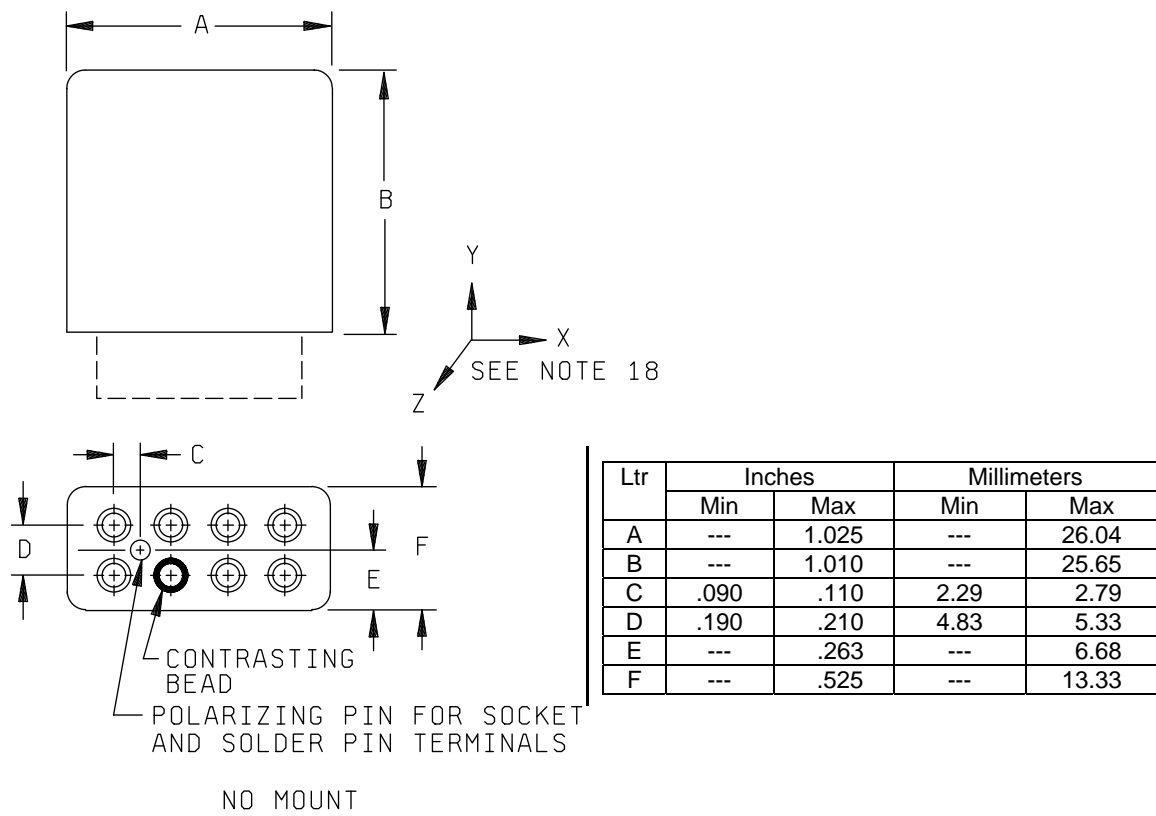


FIGURE 1. Dimensions and configurations.

AMSC N/A

FSC 5945



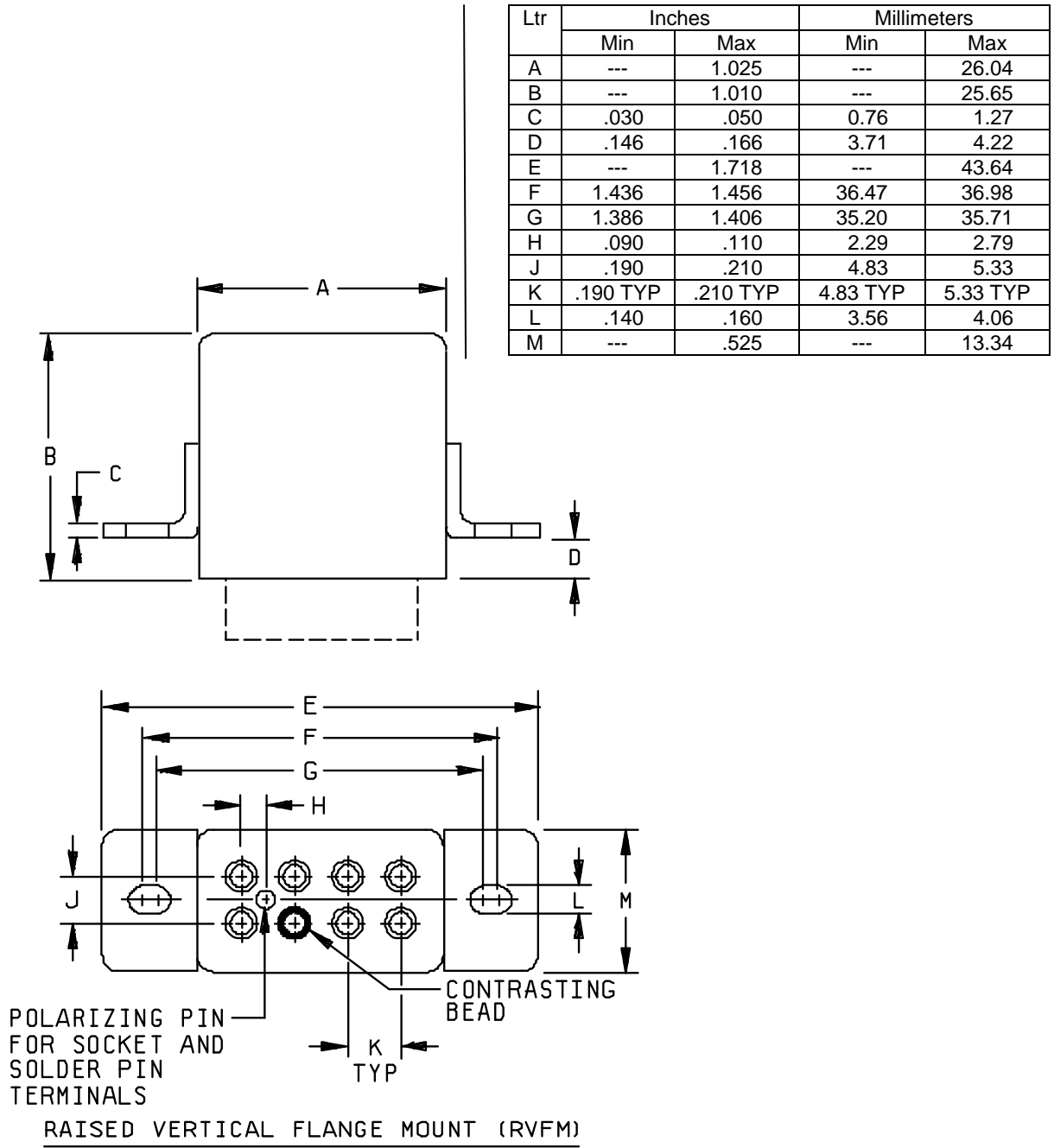


FIGURE 1. Dimensions and configurations - Continued.

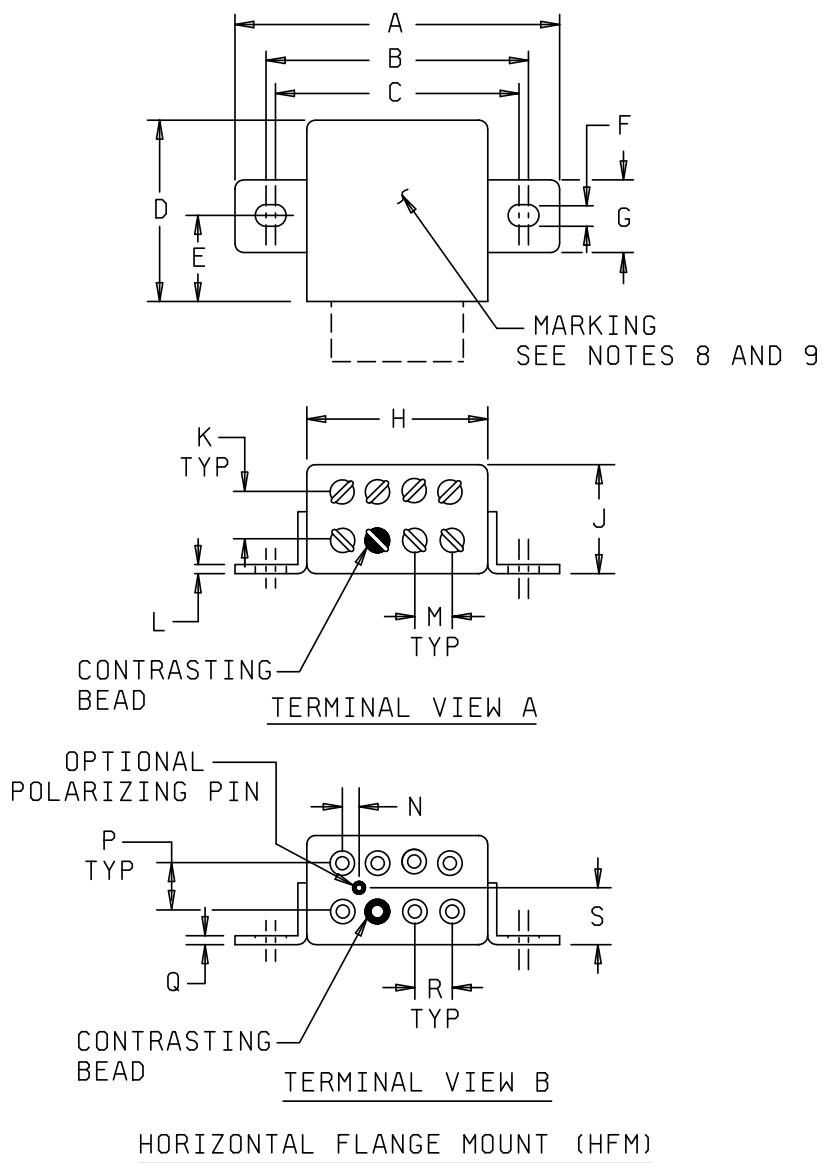
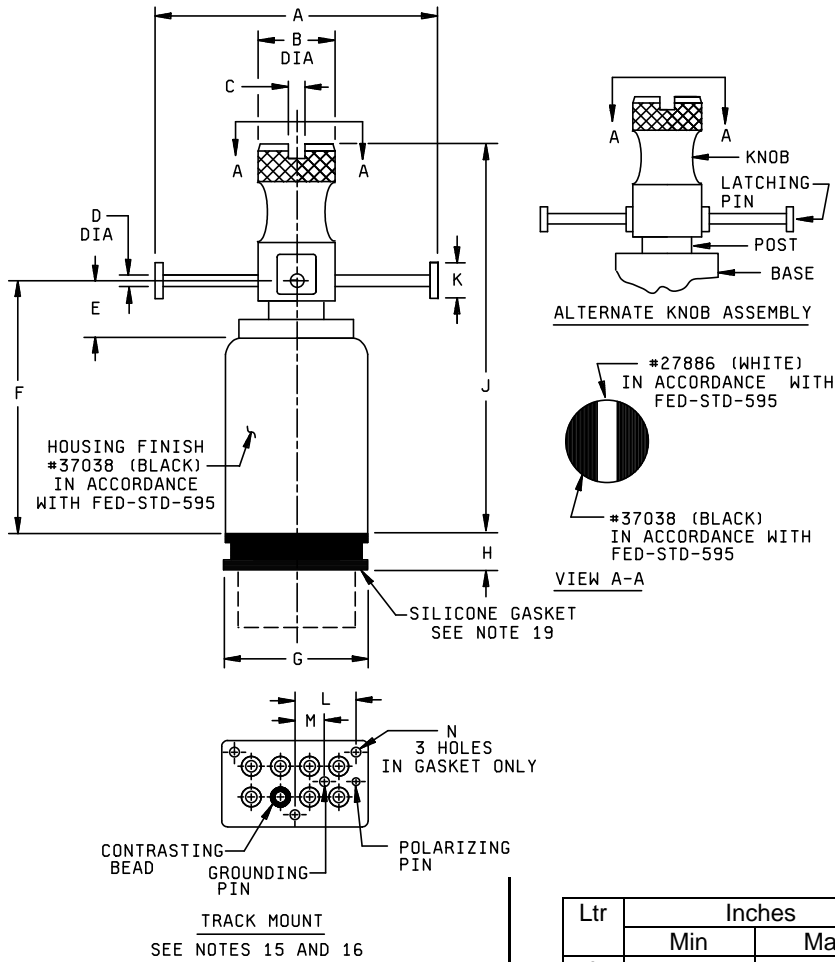


FIGURE 1. Dimensions and configurations - Continued.

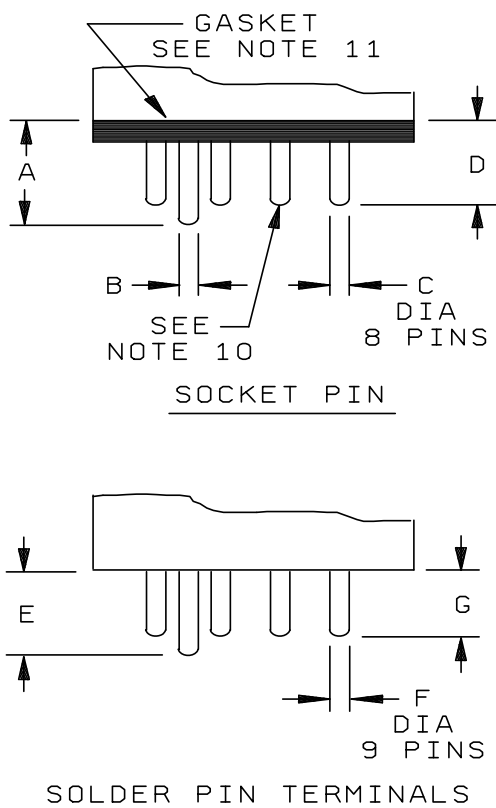
| Ltr | Inches   |          | Millimeters |          |
|-----|----------|----------|-------------|----------|
|     | Min      | Max      | Min         | Max      |
| A   | ---      | 1.718    | ---         | 43.64    |
| B   | 1.436    | 1.456    | 36.47       | 36.98    |
| C   | 1.386    | 1.406    | 35.20       | 35.71    |
| D   | ---      | 1.010    | ---         | 25.65    |
| E   | .490     | .510     | 12.45       | 12.95    |
| F   | .140     | .160     | 3.56        | 4.06     |
| G   | ---      | .485     | ---         | 12.32    |
| H   | ---      | 1.025    | ---         | 26.04    |
| J   | ---      | .515     | ---         | 13.08    |
| K   | .190 TYP | .210 TYP | 4.83 TYP    | 5.33 TYP |
| L   | .030     | .050     | 0.76        | 1.27     |
| M   | .190 TYP | .210 TYP | 4.83 TYP    | 5.33 TYP |
| N   | .090     | .110     | 2.29        | 2.794    |
| P   | .190 TYP | .210 TYP | 4.83 TYP    | 5.33 TYP |
| Q   | .030     | .050     | 0.76        | 1.27     |
| R   | .190 TYP | .210 TYP | 4.83 TYP    | 5.33 TYP |
| S   | ---      | .263     | ---         | 6.68     |

FIGURE 1. Dimensions and configurations - Continued.



| Ltr | Inches |       | Millimeters |       |
|-----|--------|-------|-------------|-------|
|     | Min    | Max   | Min         | Max   |
| A   | 1.210  | 1.290 | 30.73       | 32.77 |
| B   | .480   | .520  | 12.19       | 13.21 |
| C   | .052   | .072  | 1.32        | 1.83  |
| D   | .078   | .080  | 1.98        | 2.03  |
| E   | .303   | .323  | 7.70        | 8.20  |
| F   | 1.373  | 1.453 | 34.87       | 36.91 |
| G   | ---    | 1.025 | ---         | 26.04 |
| H   | .084   | .104  | 2.13        | 2.64  |
| J   | ---    | 2.010 | ---         | 51.05 |
| K   | .130   | .150  | 3.30        | 3.81  |
| L   | .395   | .405  | 10.03       | 10.29 |
| M   | .190   | .210  | 4.83        | 5.33  |
| N   | .073   | .083  | 1.85        | 2.11  |

FIGURE 1. Dimensions and configurations - Continued.



| Ltr | Inches |      | Millimeters |      |
|-----|--------|------|-------------|------|
|     | Min    | Max  | Min         | Max  |
| A   | .290   | .310 | 7.37        | 7.87 |
| B   | .061   | .064 | 1.55        | 1.63 |
| C   | .061   | .063 | 1.55        | 1.60 |
| D   | .260   | .280 | 6.60        | 7.11 |
| E   | .290   | .310 | 7.37        | 7.87 |
| F   | .061   | .064 | 1.55        | 1.63 |
| G   | .260   | .280 | 6.60        | 7.11 |

FIGURE 1. Dimensions and configurations - Continued.

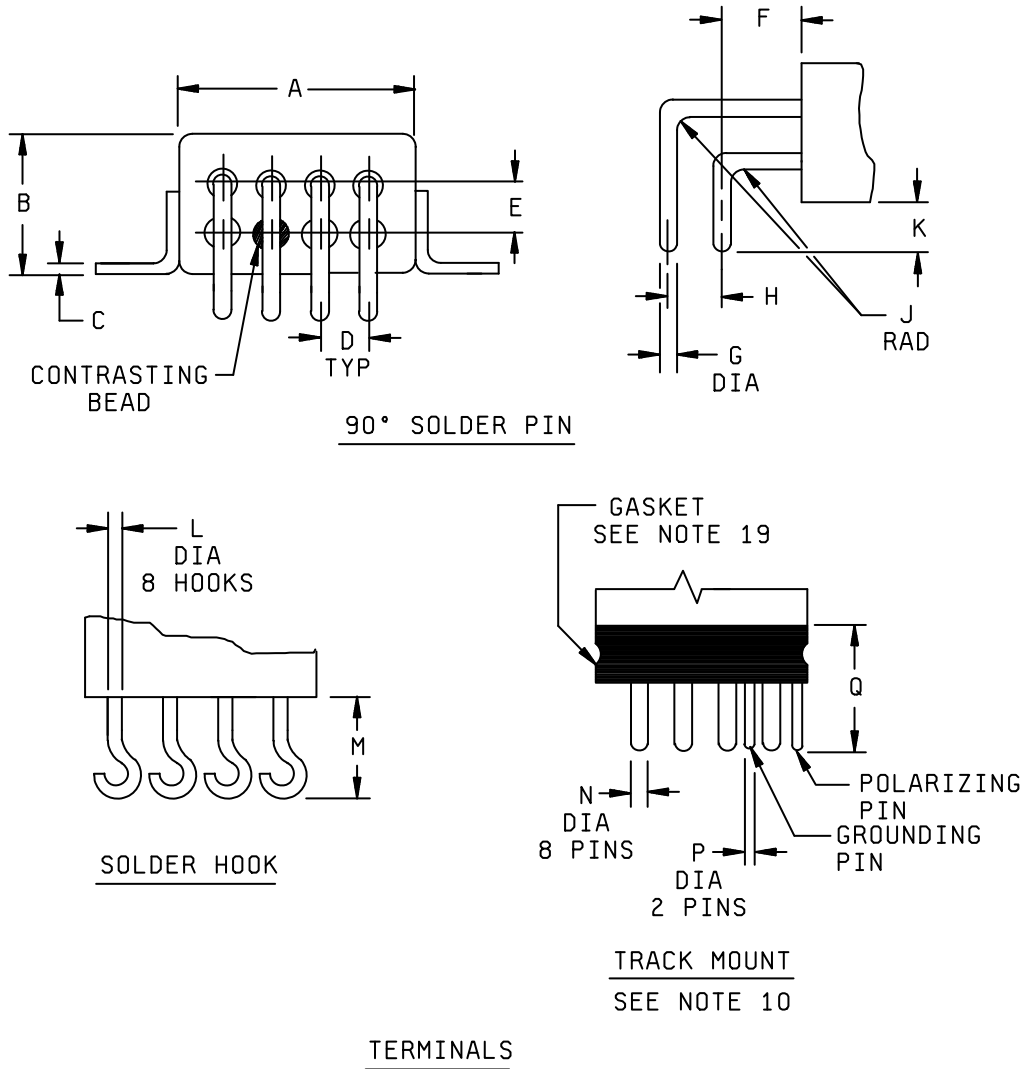


FIGURE 1. Dimensions and configurations - Continued.

| Ltr | Inches |       | Millimeters |       |
|-----|--------|-------|-------------|-------|
|     | Min    | Max   | Min         | Max   |
| A   | ---    | 1.025 | ---         | 26.04 |
| B   | ---    | .525  | ---         | 13.34 |
| C   | .030   | .050  | 0.76        | 1.27  |
| D   | .190   | .210  | 4.83        | 5.33  |
| E   | .190   | .210  | 4.83        | 5.33  |
| F   | .390   | .410  | 9.91        | 10.41 |
| G   | .061   | .064  | 1.55        | 1.63  |
| H   | .190   | .210  | 4.83        | 5.33  |
| J   | .090   | .110  | 2.29        | 2.79  |
| K   | .100   | .200  | 2.54        | 5.08  |
| L   | .060   | .064  | 1.52        | 1.63  |
| M   | ---    | .310  | ---         | 7.87  |
| N   | .061   | .063  | 1.55        | 1.60  |
| P   | .029   | .033  | 0.74        | 0.84  |
| Q   | .260   | .280  | 6.60        | 7.11  |

FIGURE 1. Dimensions and configurations - Continued.



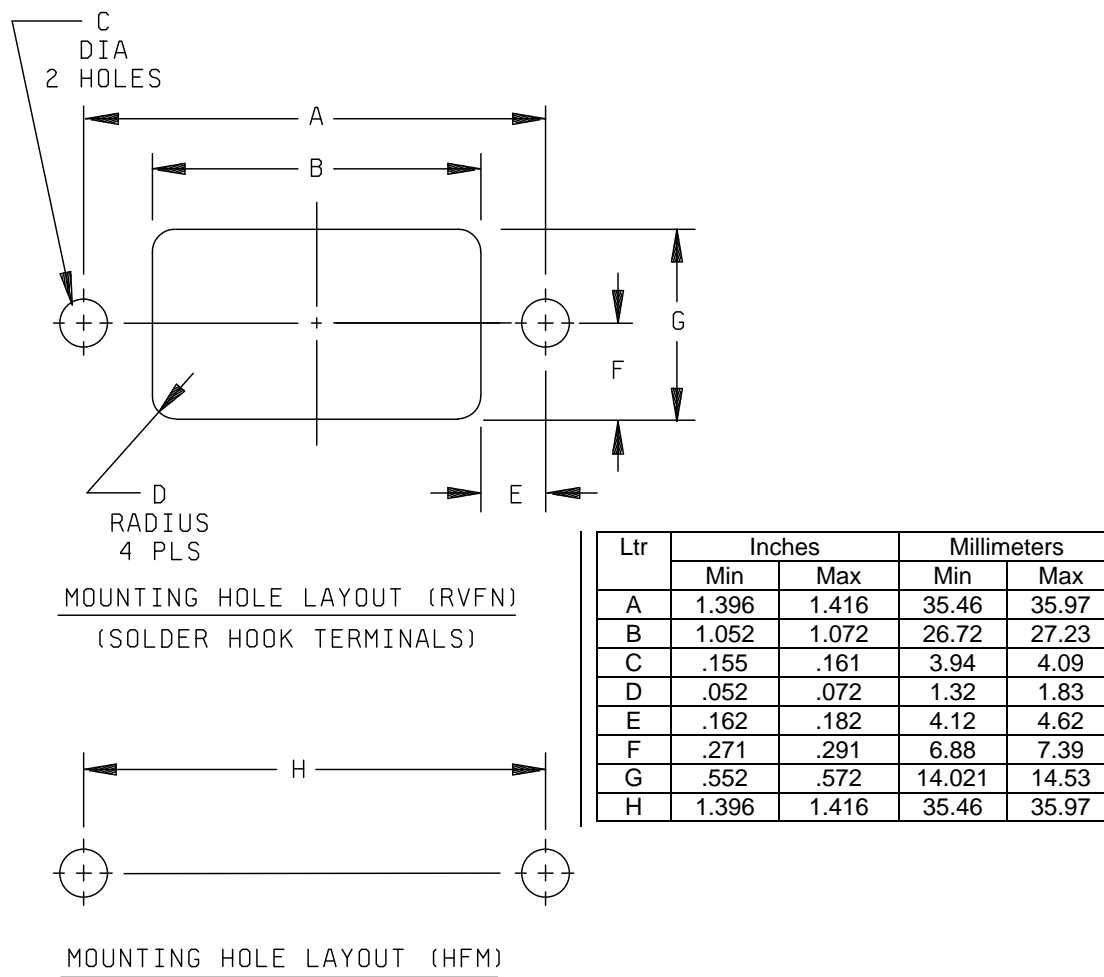
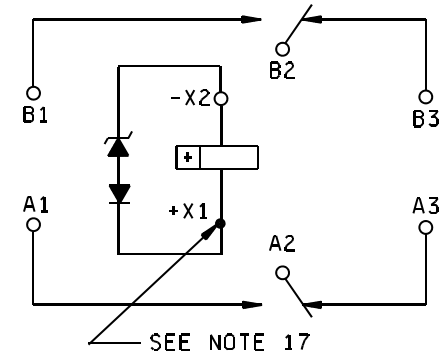
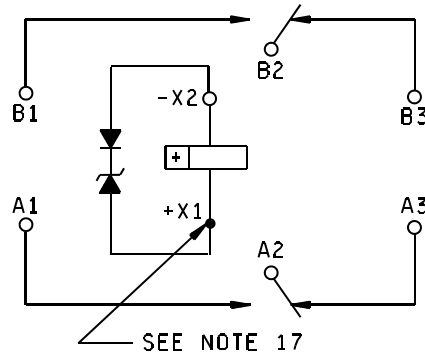


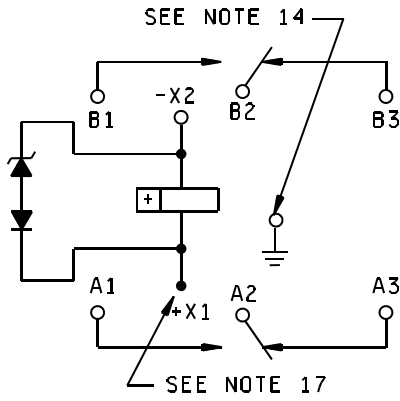
FIGURE 1. Dimensions and configurations - Continued.



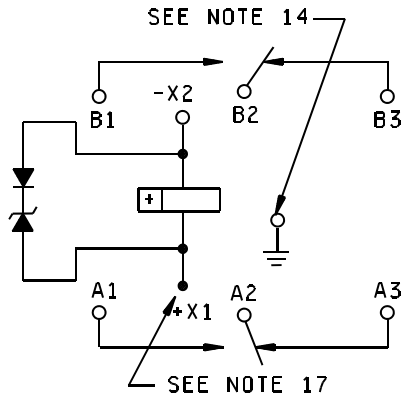
CIRCUIT DIAGRAM  
(NO MOUNT, RVFM, AND HFM)



CIRCUIT DIAGRAM  
(OPTIONAL INTERNAL DIODE CONFIGURATION)



CIRCUIT DIAGRAM  
(TRACK MOUNT)



CIRCUIT DIAGRAM  
(TRACK MOUNT)  
(OPTIONAL INTERNAL DIODE CONFIGURATION)

FIGURE 1. Dimensions and configurations - Continued.

## NOTES:

1. Dimensions are in inches.
2. Metric equivalents are given for general information only.
3. Unless otherwise specified, tolerance is  $\pm .010$  (0.25 mm).
4. There shall be affixed to the relay a legible circuit diagram that identifies each terminal location specified.
5. These relays are polarized monostable.
6. This relay shall not operate or be damaged by reverse polarity.
7. Permanent magnet drive consists of a permanent magnet with its flux path switched and combined with the electro-magnet flux.
8. Applicable to horizontal flange mount only. The circuit diagram, manufacturer's PIN, and the military PIN shall be marked on the near side. The remaining portion of the nameplate data shall be marked on the far side.
9. Applicable to horizontal flange mount only. Relays shall be marked with the manufacturer's name or CAGE code, and date code. Marking shall be with the bottom of the print adjacent to the near side.
10. Socket pin terminals shall provide the operational, environmental, and interface characteristics to provide a reliable interconnect to gold-plated contacts. Terminals and all track mount terminals shall be gold plated. One system for gold plating that may be used is [ASTM B488](#), type 3, class 1.25 with a nickel underplate of 50 to 150 microinches thick. The gold plating system shall enable the product to meet the performance requirements of this specification and shall be approved by the qualifying activity.
11. Gasket shall provide a reliable seal between the relay and mating socket that will meet the environmental, operational, and interface requirements of the relay with the mating socket. The gasket shall have shore hardness 30 to 45, thickness  $.050 \pm .005$ . Gasket material according to [SAE-AMS-3332](#) has been considered acceptable.
12. Back EMF (transient voltage): 42 V dc maximum.
13. JANTX or equivalent screened semiconductors or hybrid devices shall be used for internal coil suppression. Relays using suppression devices shall continue to operate should the suppression circuit be in a failure mode. Diodes shall have a peak inverse voltage of 600 V dc minimum.
14. Grounding pin applicable to track mount relay only.
15. Track mount knob, post, and base shall be 303 Cres nickel plated in accordance with McAir P.S. 13112 or equivalent 100 microinches thick minimum. The latching pin shall be 303 Cres passivated or nickel plated in accordance with McAir P.S. 13112 or equivalent 100 microinches thick minimum.
16. Track mount relay shall be capable of mating with M6106/4 "Bracket and Socket Assembly", configuration II. The latching pin shall be capable of withstanding an axial pull of 35 pounds, in a direction away from the knob, without degradation. The rotation of the knob mechanism shall be restricted such that the latching pins cannot be placed on the side opposite the M6106/4 bracket cutouts.
17. Indicated terminal shall be identified with a contrasting bead.
18. Plane of critical motion for vibration and shock is Y-axis.
19. Gasket shall provide a reliable seal between the relay and mating socket that will meet the environmental, operational, and interface requirements of the relay with the mating socket. The gasket shall have shore hardness 30 to 45. Gasket material according to [SAE-AMS-3332](#) has been considered acceptable. Silicone rubber gasket is not supplied with track mount A relays.

FIGURE 1. Dimensions and configurations – Continued.

## REQUIREMENTS:

Contact data:

Load ratings: See [table I](#).

Low level: 10  $\mu$ A to 50  $\mu$ A at 10 mV to 50 mV dc or peak ac.

Intermediate current: Applicable.

Mixed loads: Applicable.

TABLE I. Rated contact load and cycles (amperes per pole).

| Type of load (high level) | Cycles x 10 <sup>3</sup> | 28 V dc | <u>2/</u><br>115 V ac<br>1 phase<br>400 Hz | <u>2/</u><br>115 V ac<br>1 phase<br>50/60 Hz <u>1/</u> | <u>2/</u><br>115/200 V ac<br>3 phase<br>400 Hz | <u>2/</u><br>115/200 V ac<br>3 phase<br>50/60 Hz <u>1/</u> |
|---------------------------|--------------------------|---------|--|--|--|--|
| Resistive                 | 100                      | 10      | 10   | 2.5  | 10   | 2.5  |
| Inductive                 | 20                       | 8       | 8  | N/A  | 8  | N/A  |
| Inductive                 | 10                       | N/A     | N/A  | 2.5  | N/A  | 2.5  |
| Motor                     | 100                      | 4       | 4  | 2  | 4  | 2  |
| Lamp                      | 100                      | 2       | 2  | 1  | N/A  | N/A  |

1/ For 50/60 Hz rating, rupture and overload are not applicable and life for each load shall be 10,000 cycles.

2/ AC load ratings are not applicable to -038.

Life: 100,000 cycles, unless otherwise specified (see [table I](#)).

Contact voltage drop and resistance:

Initial contact voltage drop: 0.100 volt maximum. Rated resistive current at 6 V dc or peak ac.  
Relays shall not make or break this load.

Initial contact resistance: 0.010 ohm maximum. 50 mA max at 6 V dc or peak ac.

High level life (contact voltage drop):

During life: 10 percent open circuit voltage maximum.

After life: 0.125 volt maximum.

Intermediate current (contact resistance):

During intermediate current: 3 ohms maximum.

After intermediate current: 0.150 ohm maximum.

Low level (contact resistance):

During low level: 100 ohms maximum.

After low level: 0.150 ohm maximum at 100 mA and 28 V dc.

Contact bounce: 1.0 millisecond maximum.

Contact stabilization time: 2.5 milliseconds maximum.

Break bounce (normally open contacts): 0.1 millisecond maximum.

Overload current: 40 amperes dc, 60 amperes ac.

Rupture current: 50 amperes dc, 80 amperes ac.

Time current relay characteristics: See [table II](#).

TABLE II. Time current relay characteristics. [1/](#)

| Successive application | Amperes | Time        |
|------------------------|---------|-------------|
| 1                      | 15      | 1 hour      |
| 2                      | 50      | 5 seconds   |
| 3                      | 100     | 1.2 seconds |
| 4                      | 250     | 0.2 second  |
| 5                      | 350     | 0.1 second  |

[1/](#) All relays shall withstand overload and fault currents. Relays must be able to sustain five applications (make and carry only) of power concurrently on adjacent poles at each of five different current levels in the sequence listed in [table II](#). Separate relays shall be tested at 28 V dc and 115/200 V ac, 400 Hz 3-phase. Cooling time between successive applications shall be 30 minutes. Tests shall be performed on both normally open and normally closed contacts. There shall be no failures or evidence of welding or sticking and relays shall pass contact voltage drop at the conclusion.

Coil data [1/](#), [2/](#): See [table III](#).

Operate time: 10 milliseconds maximum with rated coil voltage over the temperature range.

Release time: 10 milliseconds maximum, 20 milliseconds maximum (track mount) from rated coil voltage over the temperature range.

Duty rating: Continuous.

Coil transient suppression: Applicable (42 V dc maximum).

Neutral screen: Not applicable.

[1/](#) CAUTION: Due to possible interaction of relay magnetic fields, the following spacing requirements, as a minimum, shall be considered in dense packaging situations:

- a. Row to row assisting fields: .125 (3.18 mm).
- b. Row to row opposing fields: .1875 (4.763 mm).
- c. Side to side alternating fields: .0625 (1.588 mm).
- d. Side to side like fields: .125 (3.18 mm).

[2/](#) Track mount relays shall have the pickup, hold, and dropout voltage, and timing tests, performed with an M6106/4 bracket placed around the relay housing.

TABLE III. Dash numbers and characteristics. 1/

| Dash number 2/ |             |            |                | Coil data |                                |                                    |                                  |                                     |                                    |                                  |                                     |                                    |                        |                         |  |  |
|----------------|-------------|------------|----------------|-----------|--------------------------------|------------------------------------|----------------------------------|-------------------------------------|------------------------------------|----------------------------------|-------------------------------------|------------------------------------|------------------------|-------------------------|--|--|
| Solder pin     | Solder hook | Socket pin | 90° solder pin | Mount     | At 25°C                        |                                    |                                  |                                     | Over temperature range             |                                  |                                     |                                    | Maximum pickup voltage |                         |  |  |
|                |             |            |                |           | Coil resistance (ohms) minimum | Specified pickup voltage (V dc) 4/ | Specified hold voltage (V dc) 4/ | Specified dropout voltage (v dc) 4/ | Specified pickup voltage (V dc) 4/ | Specified hold voltage (V dc) 4/ | Specified dropout voltage (V dc) 4/ | Specified pickup voltage (V dc) 4/ | High temperature test  | Continuous current test |  |  |
|                |             |            |                |           | Rated                          | Max                                |                                  |                                     |                                    |                                  |                                     |                                    |                        |                         |  |  |
| 001            | 002         | 003        | ---            | No mount  | 6                              | 7.3                                | 3.2                              | 1.6                                 | 0.4                                | 4.5                              | 2.3                                 | 0.25                               | 5.0                    | 5.7                     |  |  |
| 004            | 005         | 006        | ---            | RVFM      | 6                              | 7.3                                | 3.2                              | 1.6                                 | 0.4                                | 4.5                              | 2.3                                 | 0.25                               | 5.0                    | 5.7                     |  |  |
| 007            | 008         | ---        | 009-           | HFM       | 6                              | 7.3                                | 3.2                              | 1.6                                 | 0.4                                | 4.5                              | 2.3                                 | 0.25                               | 5.0                    | 5.7                     |  |  |
| 010            | 011         | 012        | ---            | No mount  | 12                             | 14.5                               | 6.5                              | 3.3                                 | 0.75                               | 9.0                              | 4.5                                 | 0.5                                | 9.9                    | 11.25                   |  |  |
| 013            | 014         | 015        | ---            | RVFM      | 12                             | 14.5                               | 6.5                              | 3.3                                 | 0.75                               | 9.0                              | 4.5                                 | 0.5                                | 9.9                    | 11.25                   |  |  |
| 016            | 017         | ---        | 018            | HFM       | 12                             | 14.5                               | 6.5                              | 3.3                                 | 0.75                               | 9.0                              | 4.5                                 | 0.5                                | 9.9                    | 11.25                   |  |  |
| 019            | 020         | 021        | ---            | No mount  | 28                             | 29 5/                              | 13.5                             | 5.5                                 | 2.3                                | 18.0                             | 7.0                                 | 1.5                                | 19.8                   | 22.5                    |  |  |
| 022            | 023         | 024        | ---            | RVFM      | 28                             | 29 5/                              | 13.5                             | 5.5                                 | 2.3                                | 18.0                             | 7.0                                 | 1.5                                | 19.8                   | 22.5                    |  |  |
| ---            | ---         | 038 6/     | ---            |           |                                |                                    |                                  |                                     |                                    |                                  |                                     |                                    |                        |                         |  |  |
| 025            | 026         | ---        | 027            | HFM       | 28                             | 29 5/                              | 13.5                             | 5.5                                 | 2.3                                | 18.0                             | 7.0                                 | 1.5                                | 19.8                   | 22.5                    |  |  |
| ---            | ---         | 028        | ---            | Track     | 28                             | 29 5/                              | 13.5                             | 5.5                                 | 2.3                                | 18.0                             | 7.0                                 | 1.5                                | 19.8                   | 22.5                    |  |  |
| 029            | 030         | 031        | ---            | No mount  | 48                             | 50                                 | 24.0                             | 12.0                                | 3.0                                | 36.0                             | 14.0                                | 2.0                                | 38.0                   | 42.0                    |  |  |
| 032            | 033         | 034        | ---            | RVFM      | 48                             | 50                                 | 24.0                             | 12.0                                | 3.0                                | 36.0                             | 14.0                                | 2.0                                | 38.0                   | 42.0                    |  |  |
| 035            | 036         | ---        | 037            | HFM       | 48                             | 50                                 | 24.0                             | 12.0                                | 3.0                                | 36.0                             | 14.0                                | 2.0                                | 38.0                   | 42.0                    |  |  |

See notes on next page.

TABLE III. Dash numbers and characteristics - Continued. 1/

- 1/ Each relay possesses high level and low level capabilities. However, relays previously tested or used above 10 mA resistive at 6 V dc maximum or peak ac open circuits are not recommended for subsequent use in low level applications.
- 2/ The suffix letter L, M, P, or R to designate the applicable failure rate level shall be added to the applicable listed dash number. Failure rate level (percent per 10,000 cycles): L, 3.0; M, 1.0; P, 0.1; R, 0.01. Example: 001L, 002R.
- 3/ CAUTION: The use of any coil voltages less than the rated coil voltage will compromise the operation of the relay.
- 4/ Pickup, hold, and dropout voltages as shown are for test purposes only and are not to be used for design criteria.
- 5/ When maximum ambient temperature does not exceed +85°C, the maximum coil voltage shall be 32 V dc.
- 6/ Dash number .038 is supplied without internal arc barriers. This relay is not rated for ac loads.

Electrical data:

Insulation resistance:

Initial: 100 megohms minimum at 500 V dc.

After life or environmental tests: 100 megohms minimum at 500 V dc (track mount). 50 megohms at 500 V dc (all others).

Dielectric withstanding voltage <sup>3/</sup>:

|                  | Track mount  |                  | All others   |                  |
|------------------|--------------|------------------|--------------|------------------|
|                  | Coil to case | All other points | Coil to case | All other points |
| Sea level:       |              |                  |              |                  |
| Initial:         | 1050         | 1500             | 1000         | 1250             |
| After life:      | 1050         | 1250             | 1000         | 1000             |
| Altitude:        |              |                  |              |                  |
| At 80,000 feet:  | 350          | 350              | 350          | 350              |
| At 300,000 feet: | ---          | ---              | 500          | 500              |

Maximum leakage current for track mount only: 100 microamperes rms.

Environmental characteristics:

Temperature range: -70°C to +125°C.

| Maximum altitude rating: 300,000 feet; 80,000 feet for track mount.

Shock (specified pulse): Applicable, [MIL-STD-202](#), method 213, test condition C, except peak value shall be 200 g's for 6 ±1 ms. Contact chatter shall not exceed 10 microseconds maximum for closed contacts and 1 microsecond maximum closure for open contacts.

Vibration (sinusoidal): Applicable, [MIL-STD-202](#), method 204, 30 g's except frequency range shall be 10 to 3,000 Hz. Contact chatter shall not exceed 10 microseconds maximum for closed contacts and 1 microsecond maximum closure for open contacts.

Vibration (random): Applicable to qualification and group C inspection. Test in accordance with [MIL-STD-202](#), method 214, test condition IG (0.4 g<sup>2</sup>/Hz, 50 to 2000 Hz). Contact chatter shall not exceed 10 microseconds maximum for closed contacts and 1 microsecond maximum closure for open contacts.

Vibration (random): Applicable to track mount only. Applicable to qualification only. Test in accordance with [MIL-STD-202](#), method 214, test condition IJ, 1.5 hours per axis. Contact chatter shall not exceed 10 microseconds maximum for closed contacts and 1 microsecond maximum closure for open contacts.

Acceleration: Applicable, except 15 g's.

<sup>3/</sup> Dielectric may be improved by suitable insulation of terminals and wiring after installation.



Physical data:

Dimensions and configurations: See [figure 1](#).

| Weight: 0.10 pound (45.359 grams), 0.120 pound (54.431 grams) track mount.

Terminal strength:

Solder hook terminals:

Pull force: 10 pounds  $\pm$ 1.0 pound.

Bend: Not applicable to leads .047 (1.19 mm) and larger.

Twist: Not applicable.

Solder pin terminals:

Pull force:

For .062 diameter terminals: 10 pounds  $\pm$ 1.0 pound.

Bend: Not applicable to leads .047 (1.19 mm) and larger.

Twist: Not applicable.

Socket pin terminals:

Pull force:

For .062 diameter terminals: 5 pounds  $\pm$ 0.5 pound.

Bend: Not applicable to leads .047 (1.19 mm) and larger.

Twist: Not applicable.

Terminal solderability: Applicable to solder pin and solder hook terminals only.

Seal: Hermetic.

Marking: Applicable.

Part or Identifying Number (PIN): M83536/10 (dash number from table III and suffix letter designating failure rate level).

Qualification inspection:

Qualification inspection and sample size: See [table IV](#).

TABLE IV. Qualification inspection and sample size. [1/](#)

| Single submission  | Group submission |   |
|--|------------------|---|
| 18 units plus 1 open unit for level L at C = 0 <a href="#">2/</a><br>33 units plus 1 open unit for level M at C = 0 <a href="#">2/</a><br>Qualification inspection as applicable | M83536/10-024    | 18 units plus 1 open unit for level L at C = 0 <a href="#">2/</a><br>33 units plus 1 open unit for level M at C = 0 <a href="#">2/</a><br>Qualification inspection as applicable<br>2 units, qualification inspection table, group II, shock, vibration, acceleration, terminal strength, and seal<br>2 units, qualification inspection table, group II |
|  | M83536/10-024    |   |
|  | M83536/10-024    |   |
|  | M83536/10-020    |   |
|  | M83536/10-025    |   |
|  | M83536/10-027    |   |
|  | M83536/10-028    |   |
|  | M83536/10-038    |   |
|  | M83536/10-002    |   |
|  | M83536/10-015    |   |
| M83536/10-037  |                  |   |

- [1/](#) For retention of qualification or extension of qualification to lower failure rate levels, all life test data accumulated on [MIL-PRF-83536/9](#) may be used in addition to MIL-PRF-83536/10 data. Prior to performance of retention of qualification testing, the relay manufacturer shall preselect the sampling plan.
- [2/](#) The number of units required for qualification testing shall be increased as required in group V, table II of [MIL-PRF-83536](#), if the contractor elects to test the number of units permitting one or more failures. Prior to performance of qualification testing, the relay manufacturer shall preselect the sampling plan.

Supersession data: See [table V](#).

TABLE V. Supersession data.

| Superseded PIN | Replacement PIN<br>M83536/10- |
|----------------|-------------------------------|
| MS27401-25     | 023                           |
| 26             | 026                           |
| 27             | 024                           |
| 31             | 023                           |
| 32             | 026                           |
| 33             | 024                           |
| 39             | 025                           |
| 40             | 025                           |
| 43             | 022                           |
| 44             | 022                           |
| 48             | 020                           |
| 49             | 019                           |
| 52             | 020                           |
| 53             | 019                           |
| 59             | 027                           |
| M6106/1-001    | 028                           |
| 003            | 028                           |

Changes from previous issue. The margins of this specification are marked with vertical lines to indicate where Changes from the previous issue were made. This was done as a convenience only and the Government assumes no liability whatsoever for any inaccuracies in these notations. Bidders and contractors are cautioned to evaluate the requirements of this document based on the entire content irrespective of the marginal notations and relationship to the previous issue.

Referenced documents. In addition to [MIL-PRF-83536](#), this document references the following:

[MIL-PRF-83536/9](#)  
[SAE-AMS-3332](#)

[MIL-STD-202](#)  
[FED-STD-595/27886](#)

[ASTM B488](#)  
[FED-STD-595/37038](#)

Custodians:

Army - CR  
Navy - EC  
Air Force -85  
DLA - CC

Preparing activity:  
DLA - CC

(Project 5945-2015-015)

Review activities:

Air Force - 99

NOTE: The activities listed above were interested in this document as of the date of this document. Since organizations and responsibilities can change, you should verify the currency of the information above using the ASSIST Online database at <https://assist.dla.mil/>.