

VI TELEFILTER**Filter Specification****TFS 70K****1/5****Measurement condition**

Ambient temperature T_A : 23 °C
 Input power level: 0 dBm
 Terminating impedances at f_C *):
 input: 3,3 kΩ// -8,0 pF
 output: 3,6 kΩ// -7,6 pF

Characteristics

Remark: Reference level for the relative attenuation a_{rel} of the **TFS 70K** is the minimum of the pass band attenuation a_{min} . The minimum of the pass band attenuation a_{min} is defined as the insertion loss a_e . The centre frequency f_C is the arithmetic mean value of the upper and lower frequencies at the 3 dB filter attenuation level relative to the insertion loss a_e . The temperature coefficient of frequency TC_f is valid for both the reference frequency f_C and the frequency response of the filter in the operating temperature range.

Data		typ. value	tolerance / limit
Insertion loss (reference level)	a_e	13,8 dB	max. 15 dB
Nominal frequency	f_N	-	70,6 MHz
Centre frequency at ambient temperature	f_C	70,6 MHz	-
Pass band	PB	-	$f_N \pm 0,5$ MHz
Amplitude ripple within PB		0,2 dB	max. 0,8 dB
In band ripple (in any 112,5 kHz increment within the PB)		0,05 dB	max. 0,5 dB p-p
Relative attenuation	a_{rel}		
f_N $f_N \pm 0,5$ MHz		0,2 dB	max. 0,8 dB
$f_N \pm 1,1$ MHz $f_N \pm 1,5$ MHz		42 dB	min. 37 dB
$f_N \pm 1,5$ MHz $f_N \pm 3$ MHz		50 dB	min. 40 dB
DC $f_N - 3$ MHz		70 dB	min. 50 dB
$f_N + 3$ MHz $f_N + 1$ GHz		60 dB	min. 50 dB
Group delay at f_N		2,4 μ s	max. 4 μ s
Group delay ripple in PB (in any 112,5 kHz increment within the PB)		60 ns	max. 120 ns
Phase linearity in PB (in any 112,5 kHz increment within the PB)		1,5 deg	max. 5 deg p-p
Input power level		-	max. 23 dBm**)
Operating temperature range		-	- 40 °C ... + 70 °C
Storage temperature range		-	- 40 °C ... + 100 °C
Turnover temperature T_o		25 °C	-
Temperature coefficient of frequency TC_f ***)		- 0,036 ppm / K ²	-

*) The terminating impedances depend on parasitics and q-values of matching elements and the board used, and are to be understood as reference values only. Should there be additional questions, do not hesitate to ask for an application note or contact our design team.

***) This power level is only allowed for short term operation (10% of the life time), the max. input power for continuous operation is max. 15dBm only

****) $\Delta f(\text{Hz}) = TC_f(\text{ppm/K}^2) \times (T - T_o)^2 \times f_{T0}(\text{MHz})$

generated:

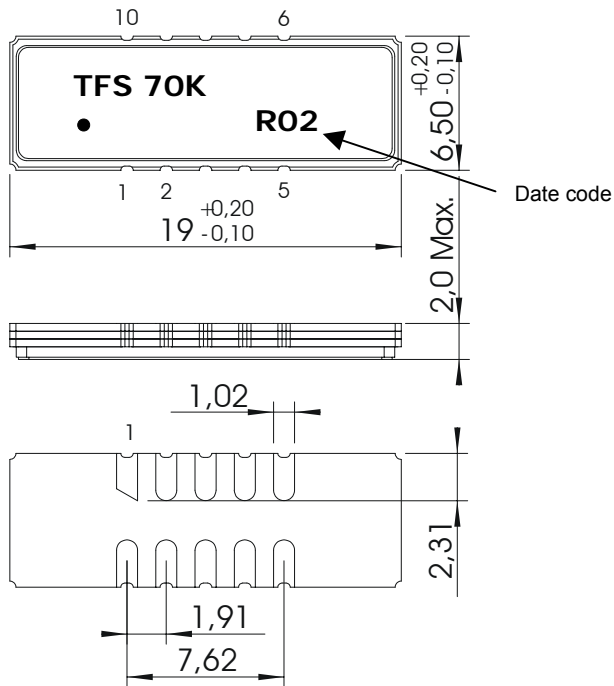
checked / approved:

VI TELEFILTER**Potsdamer Straße 18****D 14 513 TELTOW / Germany****Tel: (+49) 3328 4784-0 / Fax: (+49) 3328 4784-30****E-Mail: tft@telefilter.com**

VI TELEFILTER reserves the right to make changes to the product(s) and/or information contained herein without notice. No liability is assumed as a result of their use or application. No rights under any patent accompany the sale of any such product(s) or information.

Construction and pin connection

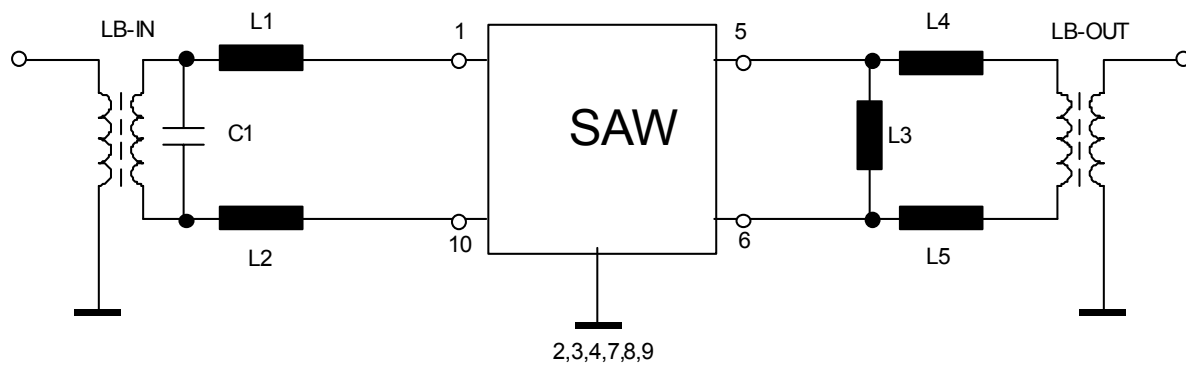
(All dimensions in mm)



1	Input
2	Ground
3	Ground
4	Ground
5	Output
6	Output
7	Ground
8	Ground
9	Ground
10	Input

Date code:	year + week
N	2001
P	2002
R	2003
...	

50 Ω matching network :



VI TELEFILTER

Potsdamer Straße 18

D 14 513 TELTOW / Germany

Tel: (+49) 3328 4784-0 / Fax: (+49) 3328 4784-30

E-Mail: tft@telefilter.com

VI TELEFILTER reserves the right to make changes to the product(s) and/or information contained herein without notice. No liability is assumed as a result of their use or application. No rights under any patent accompany the sale of any such product(s) or information.

Stability Characteristics

After the following tests the filter shall meet the whole specification:

1. Shock: 500g, 18 ms, half sine wave, 3 shocks each plane;
DIN IEC 68 T2 - 27
2. Vibration: 10 Hz to 500 Hz, 0,35 mm or 5g respectively, 1 octave per min, 10 cycles per plan, 3 plans;
DIN IEC 68 T2 - 6
3. Change of temperature: -55 °C to 125°C / 30 min. each / 10 cycles
DIN IEC 68 part 2 – 14 Test N
4. Resistance to solder heat (reflow): reflow possible: twice max. ;
for temperature conditions, please refer to the attached "Air reflow temperature conditions" on page 4;

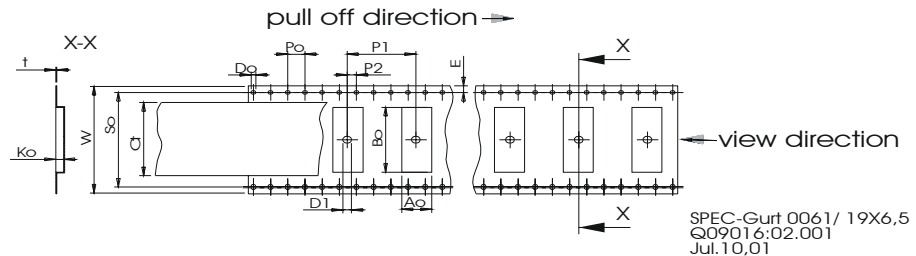
Packing

Tape & Reel: DIN IEC 286 – 3, with exception of value for N and minimum bending radius;
tape type II, embossed carrier tape with top cover tape on the upper side;

max. pieces of filters per reel:	2000
reel of empty components at start:	min 300 mm
reel of empty components at start including leader:	min 500 mm
trailer	min 300 mm

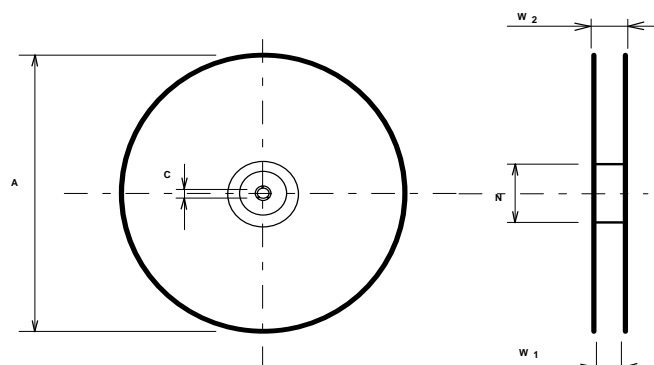
Tape (all dimensions in mm)

W	: 32 ± 0,3
Po	: 4 ± 0,1
Do	: 1,5 + 0,5
E	: 1,75 ± 0,1
S0	: 28,4 ± 0,1
P2	: 2 ± 0,1
P1	: 12 ± 0,1
D1(min)	: 1,5
Ao	: 7,1 ± 0,1
Bo	: 19,6 ± 0,1
Ko	: 2,0 ± 0,1
t	: 0,35 ± 0,05
Ct	: 25,5 ± 0,1



Reel (all dimensions in mm):

A	: 330
W1	: 32,4 +2
W2 (max)	: 38,4
N (min)	: 100
C	: 13 +0,5/-0,2



The minimum bending radius is 45 mm. The mounting surface of the filters faces the bottom side of the embossed carrier tape. The marking of the filters is able to read if the view is directed on the upper side of the carrier tape in the above shown direction.

VI TELEFILTER

Potsdamer Straße 18

D 14 513 TELTOW / Germany

Tel: (+49) 3328 4784-0 / Fax: (+49) 3328 4784-30

E-Mail: tft@telefilter.com

VI TELEFILTER reserves the right to make changes to the product(s) and/or information contained herein without notice. No liability is assumed as a result of their use or application. No rights under any patent accompany the sale of any such product(s) or information.

Air reflow temperature conditions

1st and 2nd air reflow profile

Name:	pre-heating periods	main-heating periods	peak temperature
Temperature:	150 °C - 170 °C	over 200 °C	255 °C ± 5 °C
Time:	60 sec. - 90 sec.	20 sec. - 25 sec.	

Air reflow profile

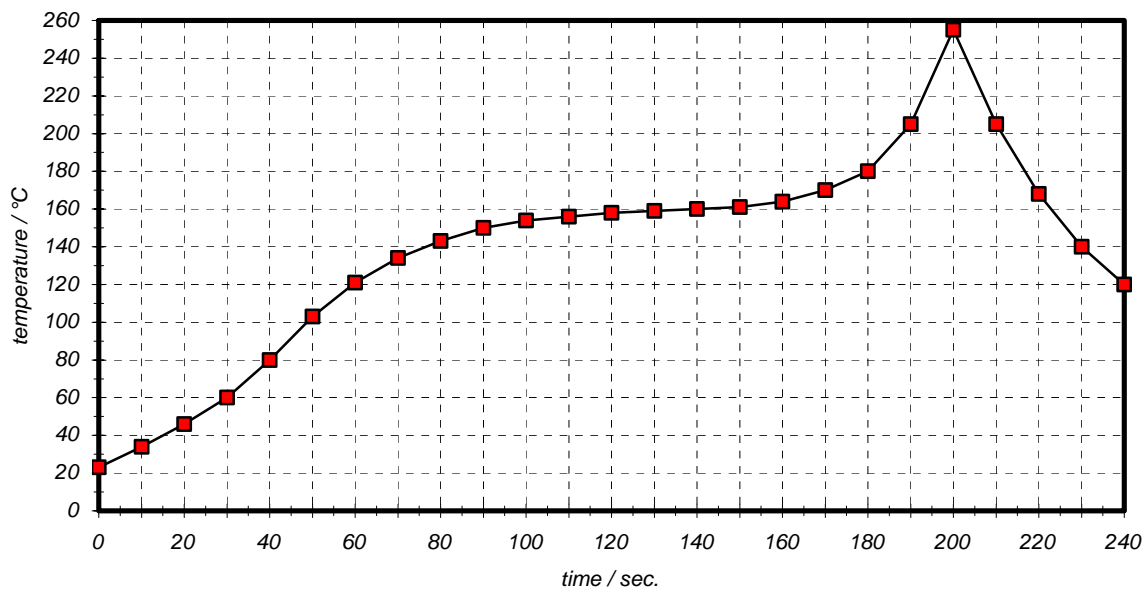


Table for temperature vs. time during the air reflow process

Tolerance of temperatures: ± 5 °C

time / sec.	temperature / °C	time / sec.	temperature / °C
0	23	140	160
10	34	150	161
20	46	160	164
30	60	170	170
40	80	180	180
50	103	190	205
60	121	195	230
70	134	200	255
80	143	205	230
90	150	210	205
100	154	215	180
110	156	220	165
120	158	230	140
130	159	240	120

VI TELEFILTER

Potsdamer Straße 18

D 14 513 TELTOW / Germany

Tel: (+49) 3328 4784-0 / Fax: (+49) 3328 4784-30

E-Mail: ttf@telefilter.com

VI TELEFILTER reserves the right to make changes to the product(s) and/or information contained herein without notice. No liability is assumed as a result of their use or application. No rights under any patent accompany the sale of any such product(s) or information.

VI TELEFILTER**Filter Specification****TFS 70K****5/5****History**

Version	Reason of Changes	Name	Date
1.0	- generate specification according to customer requirements	Pfeiffer	16.10.2002
1.2	- typical values added - terminated impedance added - triple transit suppression removed	Pfeiffer	10.01.2003

VI TELEFILTER
Potsdamer Straße 18
D 14 513 TELTOW / Germany
Tel: (+49) 3328 4784-0 / Fax: (+49) 3328 4784-30
E-Mail: fft@telefilter.com

VI TELEFILTER reserves the right to make changes to the product(s) and/or information contained herein without notice. No liability is assumed as a result of their use or application. No rights under any patent accompany the sale of any such product(s) or information.