
Features

- Companion Chip to CryptoRF® and CryptoMemory®
 - Securely implements host algorithms
 - Securely stores host secrets
 - Verifies Host Firmware Digests
- High Security Features in Hardware
 - CryptoMemory and CryptoRF F2 Algorithm
 - SHA-1 Standard Cryptographic Algorithm
 - 64-bit Mutual Authentication Protocol (Under License of ELVA)
 - Permanently Coded Serial Numbers
 - High Quality Random Number Generator (RNG)
 - Metal Shield Over Memory
 - Data Scrambling in Nonvolatile Memory
 - Delay Penalties to prevent Systematic Attacks
 - Reset Locking to prevent Illegal Power Cycling
 - Voltage and Frequency Monitors
- Host-side Crypto Functions
 - Authentication Challenge Generation
 - Device Challenge Response
 - Message Authentication Codes (MAC) Generation
 - Data Encryption and Decryption
 - Secure Authentication Key Management
- Secure Storage and Key Management
 - Up to 16 sets of 64-bits Diversified Host Keys
 - Eight Sets of Two 24-bit Passwords
 - Secure and Custom Personalization
 - Up to 232-Byte Read/Write Configurable User Data Area
- Nonvolatile Up Counters
 - Four sets Unidirectional Counters
 - 6.4 Million Maximum Counts Per Counter
- Application Features
 - Low Voltage Supply: 2.7V – 3.6V
 - 2-Wire Serial Interface (TWI, 5V Compatible)
 - Standard 8-lead SOIC Plastic Package, Green compliant (exceeds RoHS)
- High Reliability
 - Endurance : 100,000 Cycles
 - Data Retention : 10 years
 - ESD Protection : 3,000 V min. HBM



CryptoCompanion™ Chip for CryptoMemory and CryptoRF

AT88SC018

Summary

5277DS–CryptoCompanion–9/09





1. Product Overview

The CryptoCompanion™ Chip is designed as the mate to Atmel's CryptoRF and CryptoMemory chips, collectively referred to in the remainder of this document as CRF.

CryptoCompanion makes extensive use of the SHA-1 hash algorithm as specified in <http://www.itl.nist.gov/fipspubs/fip180-1.htm> and elsewhere. In this document, the nomenclature SHA-1(a, b, c) means to concatenate a, b & c in that order and then pad them to a block size of 64 bytes before computing the digest. CryptoCompanion generates SHA-1 digests of single round datasets at a time.

1.1. General Operation

The CRF chip contains secrets that must be known or derived by a host system in order to establish a trusted link between the two and permit communications to happen. CryptoCompanion stores these secrets in an obscured way in nonvolatile memory and contains all the circuitry necessary to perform the authentication, password and encryption/decryption functions specified in the CRF datasheet. In this manner, the secrets do not ever need to be revealed.

The general cryptographic strategy is as follows:

- Each CRF chip has a serial or identification number (ID) and authentication secret G_i stored in EEPROM. ID is freely readable while G_i can never be read and is unique for all tags.
- CryptoCompanion contains an EEPROM that holds a set of common secrets (F_n). CryptoCompanion combines F_n with ID and K_{ID} to compute a value of G that is expected to match that in the CRF chip. Specifically, $G = \text{SHA-1}(F_n, \text{ID}, K_{ID})$
- G is further diversified by the inclusion of a number (K_{ID}) generated by the host system in a manner of its choosing. Typically, it will be the result of a cryptographic operation on the CRF ID value calculated using other data, secrets and/or algorithms external to CryptoCompanion. This permits scenarios that offer varying degrees of additional security.
- CryptoCompanion includes a general purpose cryptographic quality random number generator which is used to seed a mutual authentication process between CryptoCompanion and CRF. If the CRF confirms the CryptoCompanion challenge, and the CryptoCompanion confirms the CRF response, then the host system proceeds with CRF operations. In this way the host system may use the CRF without knowing the CRF's secrets directly.

1.2. CryptoCompanion Benefits

The following is a partial list of the benefits of using this chip versus storing the algorithms and secrets in standard FLASH system memory.

- Keep confidential those core secrets that are used to authenticate with and communicate to/from CRF. (Store them in EEPROM, use them on-chip)
- Flexible system implementation – multiple secrets and policies for different CRF locations within the system. Multiple manufacturer setup options.
- Hardware encryption engines, avoids algorithm disclosure from reverse-compilation of system operating code.
- Full hardware security implementation makes it harder for an attacker (even with lab equipment) to get secrets stored on CryptoCompanion.
- Global secrets are protected using strong security, standard algorithm (SHA-1).
- Robust random number generation avoids accidental replay for all cryptographic operations using the system, not just with respect to CRF.
- Secure EEPROM storage for configuration information, etc. May permit reduction in the total BOM for the system.
- Easy to use – little programming required; no knowledge of security algorithms or protocols, fast time to market.

2 CryptoCompanion™ Chip

1.3. Package, Pin Definition & IO

1.3.1. Pin Definition

1.3.1.1. V_{CC} , Gnd

Power supply is 2.7 – 3.6V. Supply current less than 5 mA.

CryptoCompanion will be available to accept commands 60 ms after the later of V_{CC} rising above 2.7V or Reset being driven high if CryptoCompanion is in a security delay then this interval is significantly longer.

During Power Up, V_{CC} must exhibit a monotonic ramp at a minimum rate of 50 mV/mS until V_{CC} has crossed the 2.7V level. During Power Down, V_{CC} must exhibit a monotonic ramp at a minimum rate of 50 mV/mS once it has dropped below the 2.5V boundary. CryptoCompanion does not support hot swapping or hot plugging.

V_{CC} must be bypassed with high quality surface mount capacitors that are properly located on the board. Atmel recommends two capacitors connected in parallel having a value of 1 μ F and 0.01 μ F. The capacitors should be manufactured using X5R or X7R dielectric material. These capacitors should be connected to CryptoCompanion using a total of no more than 1cm PC board traces. Atmel recommends the use of a ground plane and a trace length of less than 0.5cm between the capacitors and the V_{CC} pin. Failure to follow these recommendations may result in improper operation.

1.3.1.2. SDA

Two wire interface data pin, 5 V compatible. Minimum data setup time = 0.1 μ s, and minimum data hold time = 0 μ s min. The system board must include an external pull-up resistor.

1.3.1.3. SCL

Two wire interface clock pin, 5 V compatible. Maximum SCL rate is 400KHz, minimum T_{LOW} = 1.2 μ s, minimum T_{HIGH} = 0.6 μ s. The system board must include an external pull-up resistor.

1.3.1.4. $Reset (RST)$

This active low input will reset all states within CryptoCompanion. Honored regardless of the state of PowerDown.

1.3.1.5. $PowerDown (PDN)$

When held low, the part operates normally. When held high the part will go to sleep and ignore all transitions on SDA and SCL, power consumption will drop to less than 10 μ A. There is a 50 ms delay between this pin falling and the first transition on SDA or SCL that will be accepted by the chip.



1.3.2. Package

CryptoCompanion is packaged in an 8 lead SOIC package with the following pin definition:

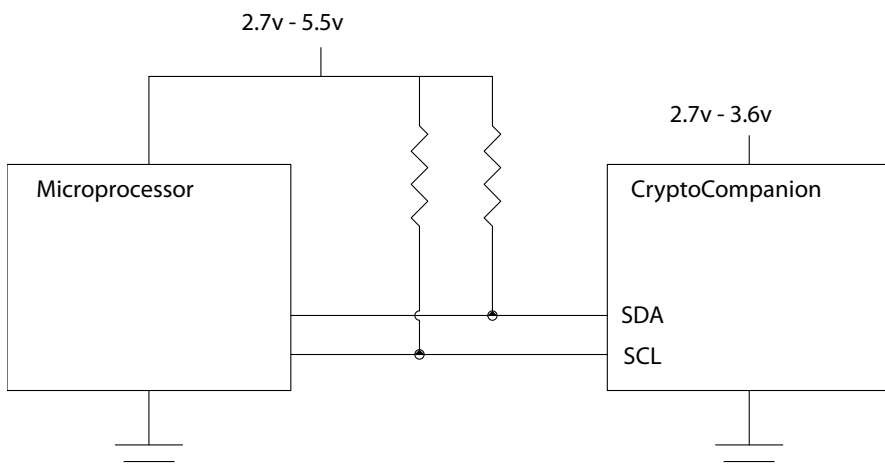
Table 1. 8 lead SOIC package pin definition

Pin Number	Pin Name
1	V _{CC}
5	Gnd
7	SDA
8	SCL
4	RST
3	PDN
2,6	NC

Pins 2 & 6 are not internally connected and should be connected to ground on the PC board.

1.3.3. Connection Diagram

Figure 1. Connection Diagram



1.3.4. Environmental

CryptoCompanion is guaranteed to operate over the industrial temperature range of -40° to 85° C. ESD is rated at 3KV, Human Body Model.

1.3.5. TWI Input/Output Operation

CryptoCompanion communicates to the system using a two wire interface (TWI), which is similar to SMBus. The chip operates as a slave and does not support clock stretching. This two wire protocol is identical to that supported by the Atmel AT24C16B serial EEPROM chips. Please see that datasheet on the Atmel web site for detailed timing and protocol information.

The system processor is expected to properly format commands for CryptoCompanion (which may include information from the CRF chip), and then process the outputs of CryptoCompanion (which may include sending some of the outputs to the CRF chip).

CryptoCompanion cannot directly communicate with CRF chips. Both CRF and CryptoCompanion are slave devices. The bus master may use one or two busses to communicate with them. Separate TWI addresses must be used if both chips are on the same bus.

1.4. Memory Locking

When this initialization is complete the Lock command should be executed which limits access to the memory per the restrictions listed later in this section. The system can determine the current lock value by using the ReadManufacturingID command to read out the ManufacturingID value (MfrID) and the lock byte.

The table below describes the encoding of the least significant two bits of the Lock byte. On shipment from Atmel, Lock[1:0] will have a value of either 10 or 00, depending on the part number ordered. An AT88SC018 in either of these two states is considered 'unlocked'. It is not possible to change from one of these unlocked states to the other.

After the Lock command has been executed, the Lock byte will have the value 0xFF. Subsequent changes to the Lock byte are impossible.

Table 2. Memory Locking

LockBit 1	Lock Bit 0 (LSB)	Meaning
1	1	Locked. ReadMemory & WriteMemory enabled, subject to the restrictions in this section. WriteMemoryEncrypted and ReadMemoryDigest disabled.
1	0	Unlocked/Confidential. ReadMemoryDigest, WriteMemory and WriteMemoryEncrypted enabled. ReadMemory disabled.
0	0	Unlocked. ReadMemory & WriteMemory enabled. WriteMemoryEncrypted and ReadMemoryDigest disabled.

2. AC & DC Characteristics

Table 3. DC Characteristics ⁽¹⁾

Applicable over recommended operating range from $V_{CC} = +2.7$ to 3.6 V,
 $T_{AC} = -40^{\circ}$ C to 85° C (unless otherwise noted)

Symbol	Parameter	Test Condition	Min	Typ	Max	Units
V_{CC}	Supply Voltage		2.7		3.6	V
I_{CC}	Supply Current	400kHz			5	mA
I_{SB}	Standby Current	$V_{IN} = V_{CC}$ or GND			15	μ A
V_{IL}	SDA Input Low Voltage		-0.3		$V_{CC} \times 0.3$	V
V_{IL}	CLK Input Low Voltage		-0.3		$V_{CC} \times 0.3$	V
V_{IL}	RST Input Low Voltage		-0.3		$V_{CC} \times 0.3$	V
V_{IL}	PDN Input Low Voltage		-0.3		$V_{CC} \times 0.3$	V
V_{IH}	SDA Input High Voltage		$V_{CC} \times 0.7$		5.25	V
V_{IH}	SCL Input High Voltage		$V_{CC} \times 0.7$		5.25	V
V_{IH}	RST Input High Voltage		$V_{CC} \times 0.7$		5.25	V





V _{IH}	PDN Input High Voltage		V _{CC} x 0.7		5.25	V
I _{IL}	SDA Input Low Current	0 < V _{IL} < V _{CC} x 0.15	-10		10	μA
I _{IL}	SCL Input Low Current	0 < V _{IL} < V _{CC} x 0.15	-10		10	μA
I _{IL}	RST Input Low Current	0 < V _{IL} < V _{CC} x 0.15	-10		10	μA
I _{IL}	PDN Input Low Current	0 < V _{IL} < V _{CC} x 0.15	-10		10	μA
I _{IH}	SDA Input High Current	V _{CC} x 0.7 < V _{IH} < V _{CC}	-10		10	μA
I _{IH}	SCL Input High Current	V _{CC} x 0.7 < V _{IH} < V _{CC}	-10		10	μA
I _{IH}	RST Input High Current	V _{CC} x 0.7 < V _{IH} < V _{CC}	-10		10	μA
I _{IH}	PDN Input High Current	V _{CC} x 0.7 < V _{IH} < V _{CC}	-10		10	μA
V _{OH}	SDA Output High Voltage	20k Ohm external Pull-up			V _{CC} x 0.8	V
V _{OL}	SDA Output Low Voltage	I _{OL} = 1mA			0.4	V

Note: 1. Typical values at 25° C. Maximum values are characterized values and not test limits in production.

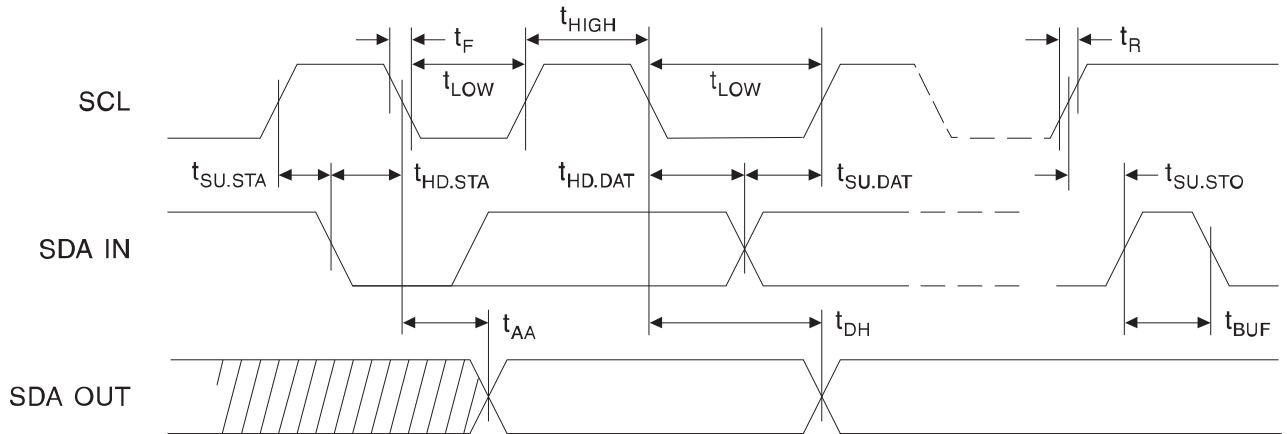
Table 4. AC Characteristics ⁽¹⁾

Applicable over recommended operating range from $V_{CC} = +2.7$ to 3.6 V,
 $T_{AC} = -40^{\circ}$ C to 85° C, $CL = 30$ pF (unless otherwise noted)

Symbol	Parameter	Min	Max	Units
f_{CLK}	Clock Frequency	0	400	kHz
	Clock Duty cycle ⁽²⁾	40	60	%
t_R	Rise Time - SDA, RST, PDN ⁽²⁾		300	nS
t_F	Fall Time - SDA, RST, PDN ⁽²⁾		300	nS
t_R	Rise Time - SCL ⁽²⁾		300	nS
t_F	Fall Time - SCL ⁽²⁾		300	nS
t_{AA}	Clock Low to Data Out Valid		900	nS
$t_{HD.STA}$	Start Hold Time	600		nS
$t_{SU.STA}$	Start Set-up Time	600		nS
$t_{HD.DAT}$	Data In Hold Time	100		nS
$t_{SU.DAT}$	Data In Set-up Time	100		nS
$t_{SU.STO}$	Stop Set-up Time	600		nS
t_{DH}	Data Out Hold Time	50	900	nS

Note: 1. Typical values at 25° C. Maximum values are characterized values and not test limits in production.
 2. This parameter is not tested. Values are based on characterization and/or simulation data.

Figure 2. SCL: Serial Clock, SDA: Serial Data I/O®





3. Ordering Codes

Table 5. Ordering Codes

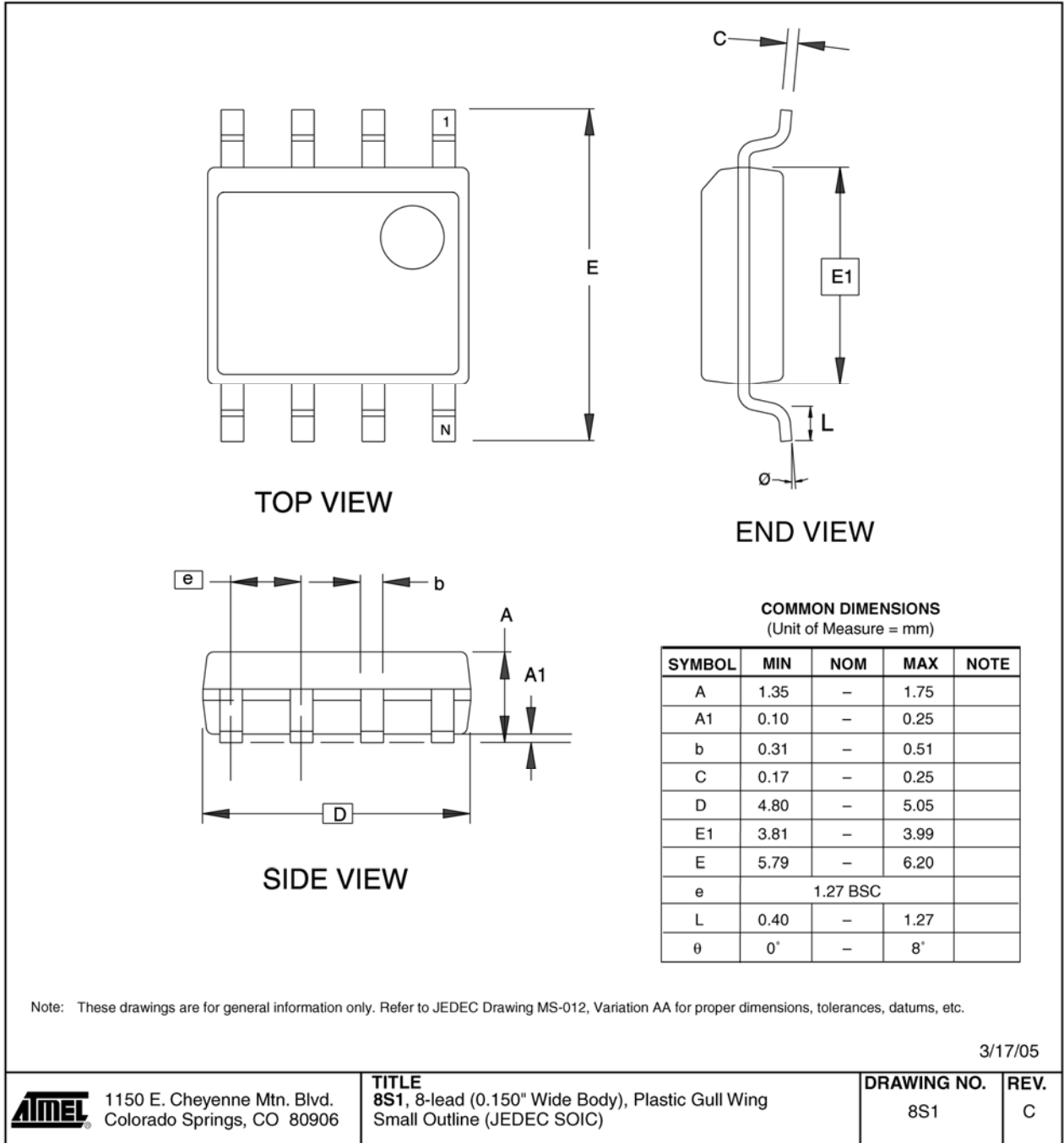
Ordering Code	Package	Voltage Range	Memory Locking (see Section 1.4 for Lock Definitions)	Temperature Range
AT88SC018-SU-CM	8S1	2.7V – 3.6V	00 (Unlocked)	Green compliant (exceeds RoHS), Industrial (-40 ⁰ C – 85 ⁰ C), Bulk
AT88SC018-SU-CM-T	8S1	2.7V – 3.6V	00 (Unlocked)	Green compliant (exceeds RoHS), Industrial (-40 ⁰ C – 85 ⁰ C), Tape and Reel
AT88SC018-SU-CN	8S1	2.7V – 3.6V	10 (Unlocked/Confidential)	Green compliant (exceeds RoHS), Industrial (-40 ⁰ C – 85 ⁰ C), Bulk
AT88SC018-SU-CN-T	8S1	2.7V – 3.6V	10 (Unlocked/Confidential)	Green compliant (exceeds RoHS), Industrial (-40 ⁰ C – 85 ⁰ C), Tape and Reel

Table 6. Package Type

Package Type	Description
8S1	8-lead, 0.150" Wide, Plastic Gull Wing Small Outline Package (JEDEC SOIC)

4. Package Drawing

Figure 3. 8S1 – SOIC





5. Revision History

Doc. Rev.	Date	Comments
5277DS	09/2009	Finalized AC & DC Characteristics. Updated Counter information.
5277CS	02/2009	Document updated.
5277BS	12/2008	Document updated.



Headquarters

Atmel Corporation
2325 Orchard Parkway
San Jose, CA 95131
USA
Tel: 1(408) 441-0311
Fax: 1(408) 487-2600

International

Atmel Asia
Room 1219
Chinachem Golden Plaza
77 Mody Road Tsimshatsui
East Kowloon
Hong Kong
Tel: (852) 2721-9778
Fax: (852) 2722-1369

Atmel Europe
Le Krebs
8, Rue Jean-Pierre Timbaud
BP 309
78054 Saint-Quentin-en-
Yvelines Cedex
France
Tel: (33) 1-30-60-70-00
Fax: (33) 1-30-60-71-11

Atmel Japan
9F, Tonetsu Shinkawa Bldg.
1-24-8 Shinkawa
Chuo-ku, Tokyo 104-0033
Japan
Tel: (81) 3-3523-3551
Fax: (81) 3-3523-7581

Product Contact

Web Site
www.atmel.com

Technical Support
CryptoMemory@atmel.com
CryptoRF@atmel.com

Sales Contact
www.atmel.com/contacts

Literature Requests
www.atmel.com/literature

Disclaimer: The information in this document is provided in connection with Atmel products. No license, express or implied, by estoppel or otherwise, to any intellectual property right is granted by this document or in connection with the sale of Atmel products. **EXCEPT AS SET FORTH IN ATMEL'S TERMS AND CONDITIONS OF SALE LOCATED ON ATMEL'S WEB SITE, ATMEL ASSUMES NO LIABILITY WHATSOEVER AND DISCLAIMS ANY EXPRESS, IMPLIED OR STATUTORY WARRANTY RELATING TO ITS PRODUCTS INCLUDING, BUT NOT LIMITED TO, THE IMPLIED WARRANTY OF MERCHANTABILITY, FITNESS FOR A PARTICULAR PURPOSE, OR NON-INFRINGEMENT. IN NO EVENT SHALL ATMEL BE LIABLE FOR ANY DIRECT, INDIRECT, CONSEQUENTIAL, PUNITIVE, SPECIAL OR INCIDENTAL DAMAGES (INCLUDING, WITHOUT LIMITATION, DAMAGES FOR LOSS OF PROFITS, BUSINESS INTERRUPTION, OR LOSS OF INFORMATION) ARISING OUT OF THE USE OR INABILITY TO USE THIS DOCUMENT, EVEN IF ATMEL HAS BEEN ADVISED OF THE POSSIBILITY OF SUCH DAMAGES.** Atmel makes no representations or warranties with respect to the accuracy or completeness of the contents of this document and reserves the right to make changes to specifications and product descriptions at any time without notice. Atmel does not make any commitment to update the information contained herein. Unless specifically provided otherwise, Atmel products are not suitable for, and shall not be used in, automotive applications. Atmel's products are not intended, authorized, or warranted for use as components in applications intended to support or sustain life.

© 2009 Atmel Corporation. All rights reserved. Atmel®, Atmel logo and combinations thereof, CryptoMemory®, CryptoRF®, and others are registered trademarks, CryptoCompanion™, and others are trademarks of Atmel Corporation or its subsidiaries. Other terms and product names may be trademarks of others.